



US00D705739S

(12) **United States Design Patent**
Yoshisuji

(10) **Patent No.:** **US D705,739 S**

(45) **Date of Patent:** **** May 27, 2014**

(54) **ELECTRIC CONNECTOR**

(71) Applicant: **Dai-Ichi Seiko Co., Ltd.**, Fushimi-ku
(JP)

(72) Inventor: **Takashi Yoshisuji**, Machida (JP)

(73) Assignee: **Dai-Ichi Seiko Co., Ltd.**, Fushimi-ku
(JP)

(**) Term: **14 Years**

(21) Appl. No.: **29/457,252**

(22) Filed: **Jun. 7, 2013**

Related U.S. Application Data

(62) Division of application No. 29/402,872, filed on Sep. 28, 2011.

(30) **Foreign Application Priority Data**

Mar. 31, 2011	(JP)	2011-007406
Mar. 31, 2011	(JP)	2011-007407
Jul. 15, 2011	(JP)	2011-016301
Jul. 15, 2011	(JP)	2011-016304

(51) **LOC (10) Cl.** **13-03**

(52) **U.S. Cl.**
USPC **D13/147**

(58) **Field of Classification Search**
USPC D13/147, 154, 184, 199; 439/79, 108,
439/180, 246, 374, 488, 527, 529, 530, 533,
439/540.1, 541.5, 607.01, 607.04, 607.05,
439/607.06, 607.17, 607.21, 607.23,
439/607.25, 607.34, 607.41, 607.53,
439/620.06, 620.21, 620.31, 660, 668, 676,
439/680, 883, 891, 892, 894

See application file for complete search history.

(56) **References Cited**

U.S. PATENT DOCUMENTS

D502,143	S	2/2005	Chiu et al.
D502,686	S	3/2005	Chiu et al.
D530,674	S	10/2006	Ko
D583,768	S	12/2008	Nakamura
D601,505	S	10/2009	Fukazawa et al.
2012/0238125	A1	9/2012	Yoshisuji et al.

FOREIGN PATENT DOCUMENTS

JP	D1233906	2/2005
JP	D1233907	2/2005
JP	D1233908	2/2005
JP	D1233909	2/2005
JP	D1233910	2/2005
JP	D1233715	3/2005

OTHER PUBLICATIONS

U.S. Appl. No. 29/402,240, filed Sep. 22, 2011, Yoshisuji.
U.S. Appl. No. 29/402,237, filed Sep. 22, 2011, Yoshisuji.

(Continued)

Primary Examiner — Daniel Bui

(74) *Attorney, Agent, or Firm* — Oblon, Spivak,
McClelland, Maier & Neustadt, L.L.P.

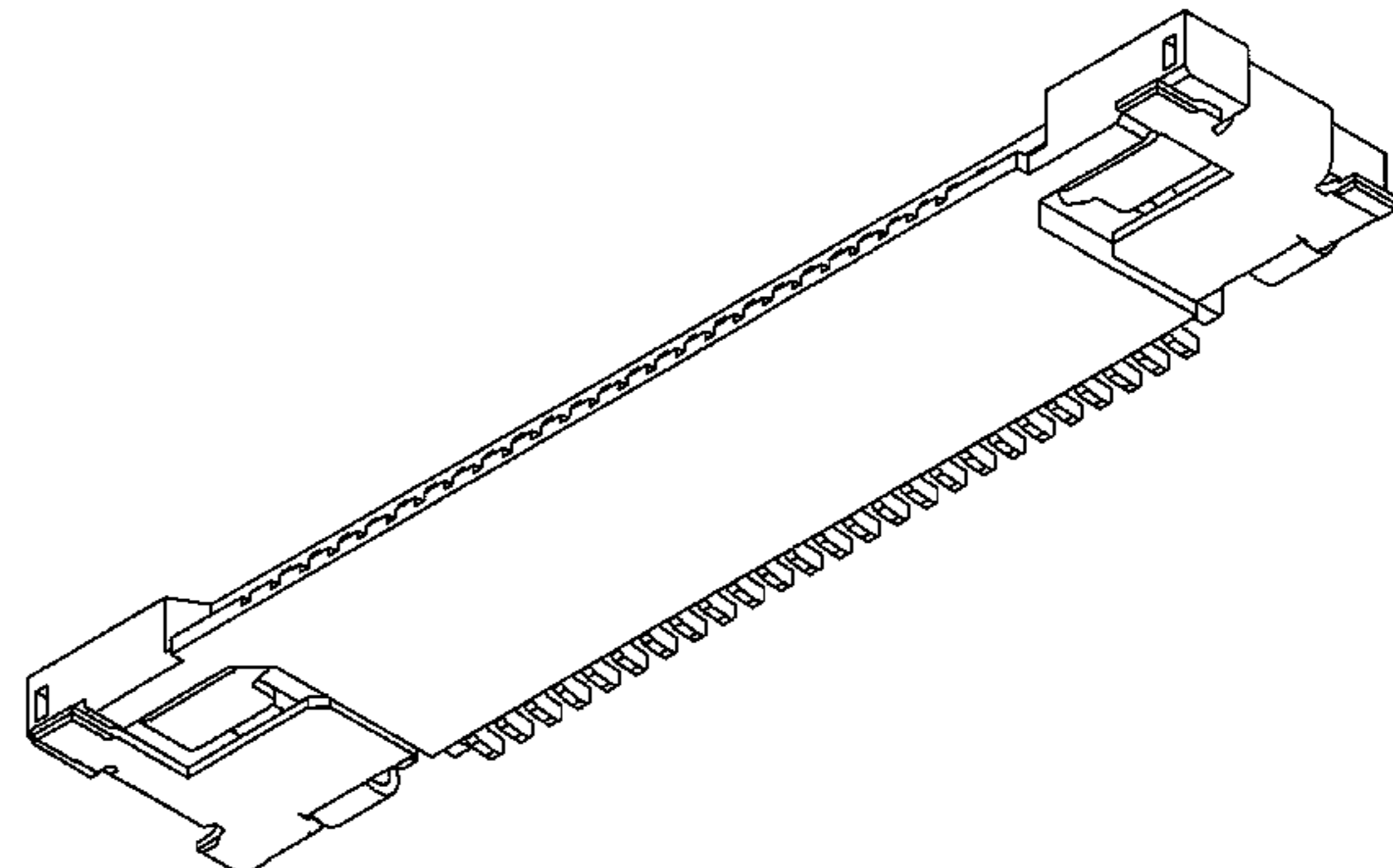
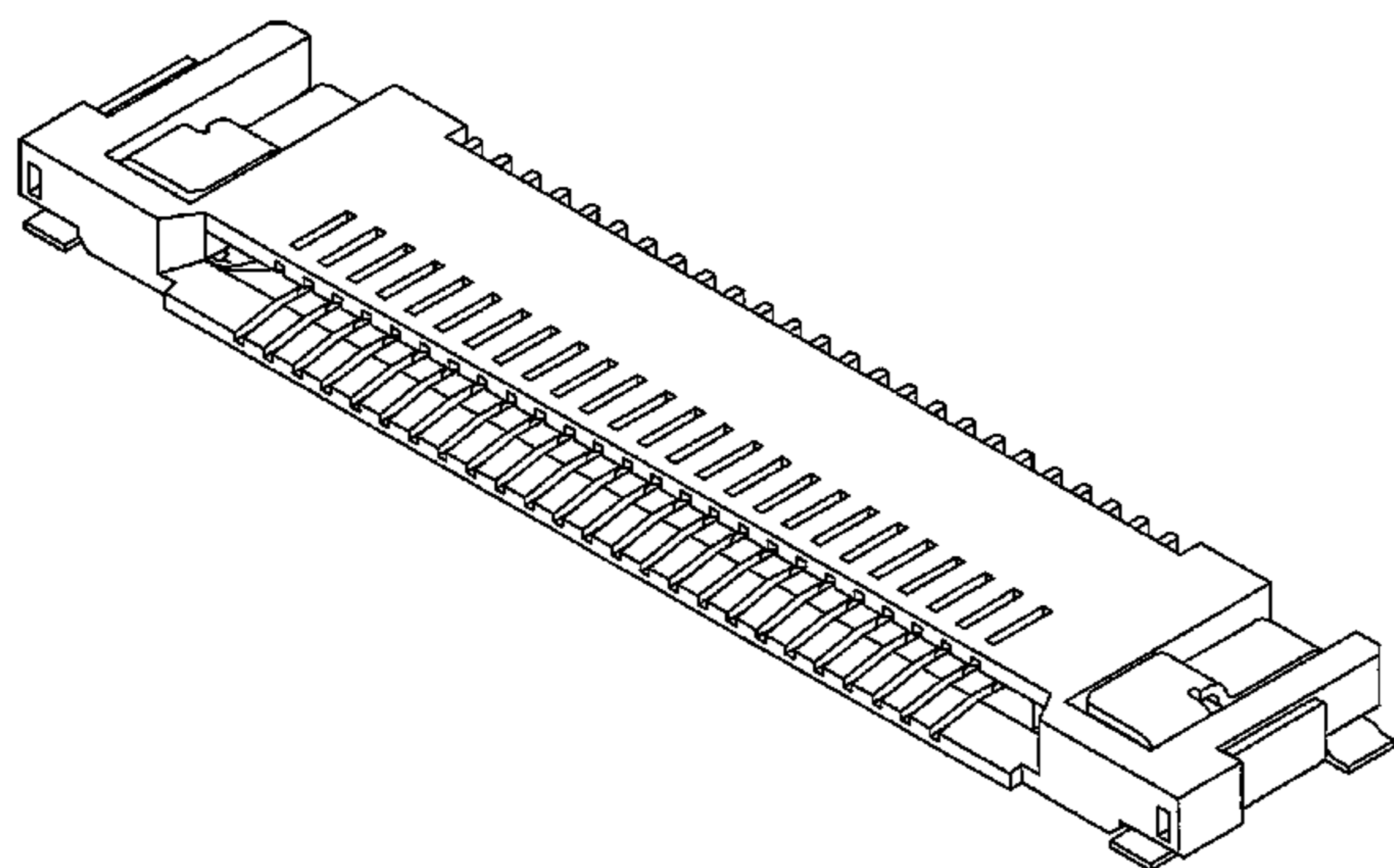
(57) **CLAIM**

The ornamental design for an electric connector, as shown and described.

DESCRIPTION

FIG. 1 is a top plan view of an electric connector showing my new design;
FIG. 2 is a front elevational view thereof;
FIG. 3 is a bottom plan view thereof;
FIG. 4 is a rear elevational view thereof;
FIG. 5 is a right side elevational view thereof;
FIG. 6 is a front, top, and right side perspective view thereof;
and,
FIG. 7 is a front, bottom, and right side perspective view thereof.
The broken lines in the drawings depict environmental subject matter only and form no part of the claimed design.

1 Claim, 7 Drawing Sheets



(56)

References Cited

OTHER PUBLICATIONS

U.S. Appl. No. 13/595,147, filed Aug. 27, 2012, Yoshisuji, et al.

U.S. Appl. No. 29/447,042, filed Feb. 28, 2013, Yoshisuji.

U.S. Appl. No. 29/454,279, filed May 8, 2013, Yoshisuji.

U.S. Appl. No. 29/454,268, filed May 8, 2013, Yoshisuji.

U.S. Appl. No. 29/457,234, filed Jun. 7, 2013, Yoshisuji.

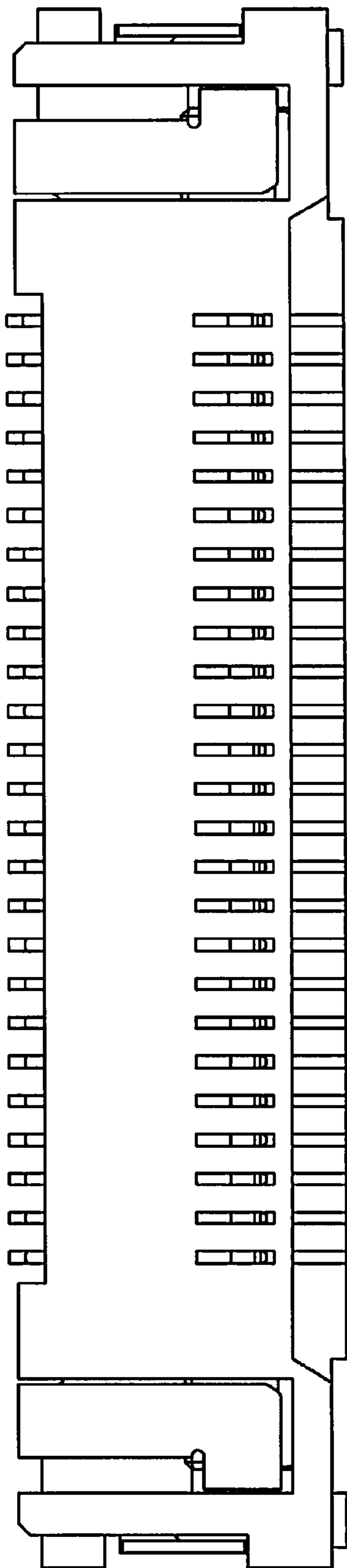


FIG.1

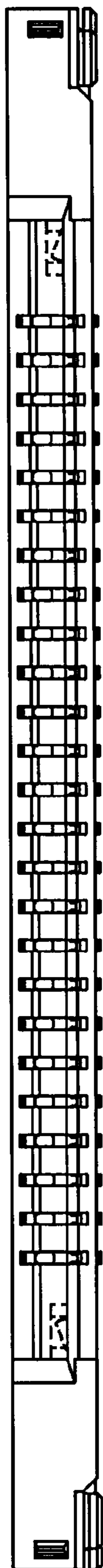


FIG. 2

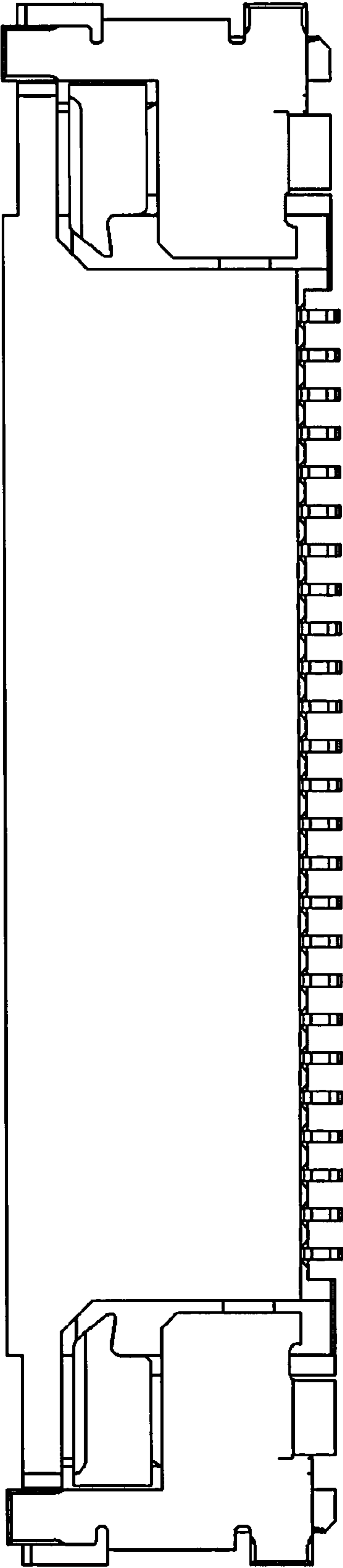


FIG. 3

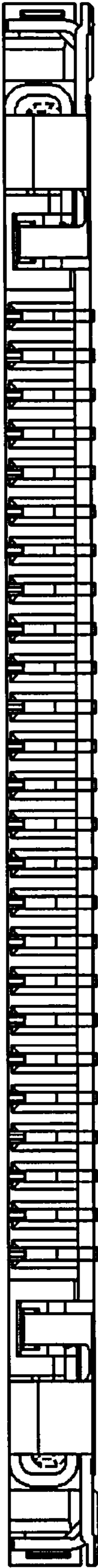


FIG.4

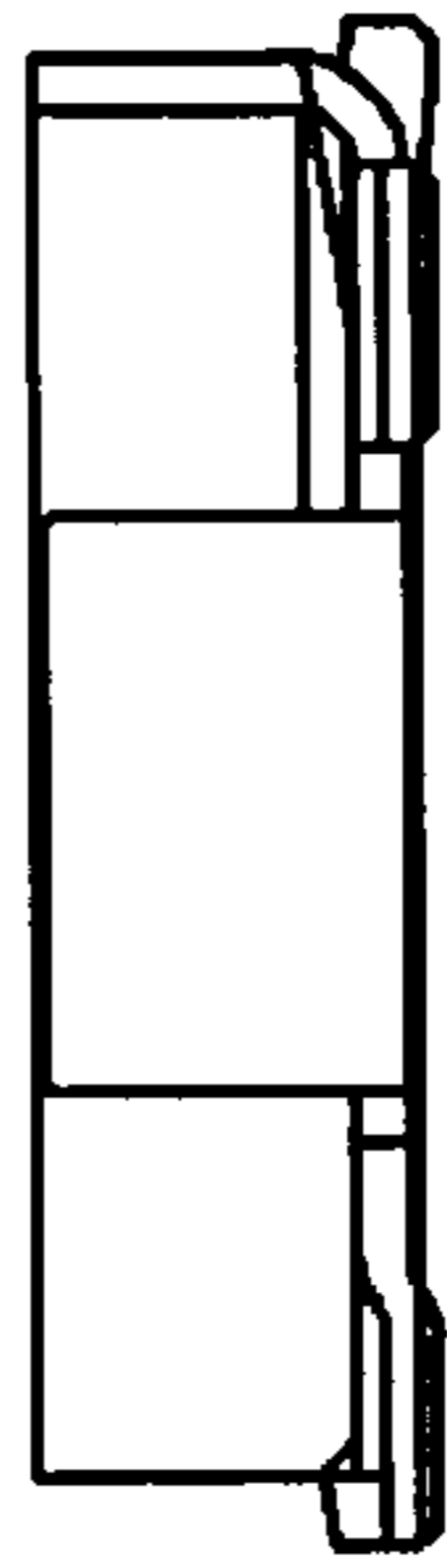


FIG. 5

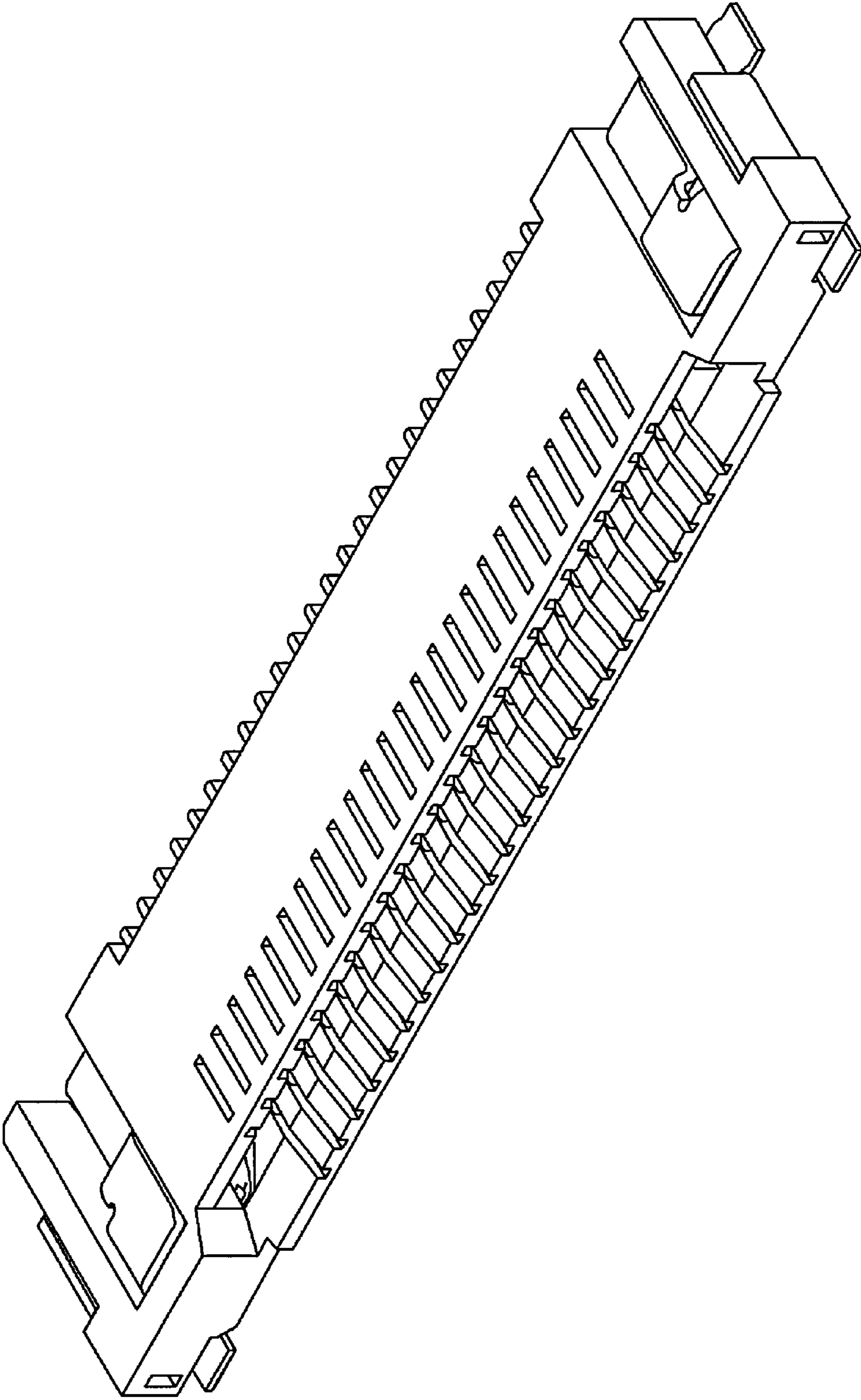


FIG.6

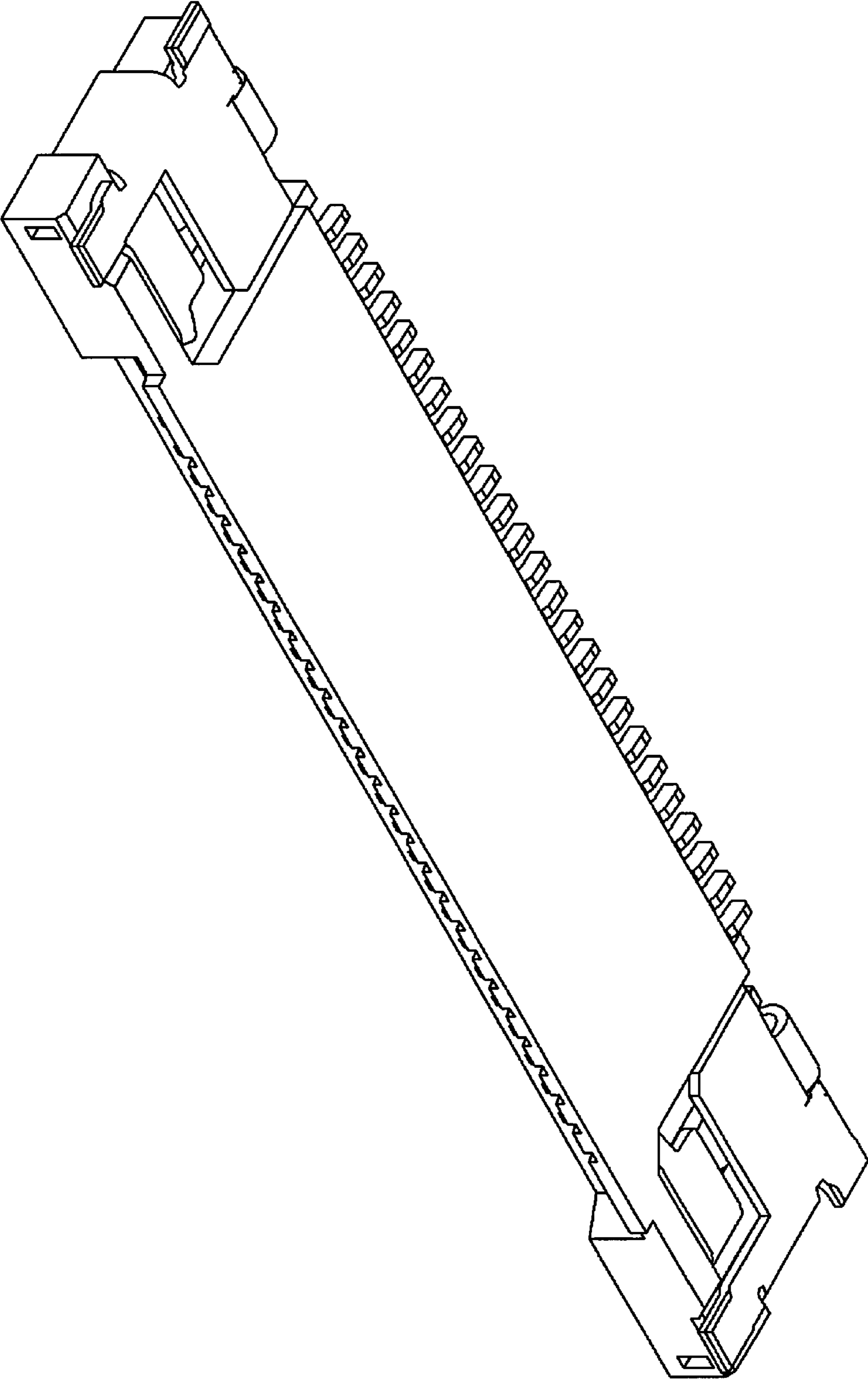


FIG. 7