



US00D705738S

(12) **United States Design Patent**
Schmidt et al.

(10) **Patent No.:** **US D705,738 S**

(45) **Date of Patent:** **** May 27, 2014**

(54) **ELECTRICAL PLUG**

(71) Applicant: **Lester Electrical of Nebraska, Inc.**,
Lincoln, NE (US)

(72) Inventors: **Lonnie L. Schmidt**, Lincoln, NE (US);
Gary L Bouc, Lincoln, NE (US)

(73) Assignee: **Lester Electrical of Nebraska, Inc.**,
Lincoln, NE (US)

(**) Term: **14 Years**

(21) Appl. No.: **29/440,061**

(22) Filed: **Dec. 18, 2012**

(51) **LOC (10) Cl.** **13-03**

(52) **U.S. Cl.**
USPC **D13/146**

(58) **Field of Classification Search**
USPC D13/107, 108, 110, 119, 120, 133, 146,
D13/147, 154, 184, 199; 439/644, 649, 671,
439/675, 677, 680, 682, 692

See application file for complete search history.

(56) **References Cited**

U.S. PATENT DOCUMENTS

| | | | |
|--------------|---------|--------------------|---------|
| D298,931 S * | 12/1988 | Sekiguchi | D13/147 |
| D320,001 S * | 9/1991 | Hirabayashi | D13/146 |
| D406,816 S * | 3/1999 | Hopper et al. | D13/146 |
| D447,464 S * | 9/2001 | Bosatelli | D13/146 |
| D512,378 S * | 12/2005 | Dobler | D13/146 |
| D585,837 S * | 2/2009 | Kuehne et al. | D13/154 |
| D615,496 S * | 5/2010 | Mennekes | D13/147 |
| D644,609 S * | 9/2011 | Marroquin | D13/147 |

* cited by examiner

Primary Examiner — Daniel Bui

(74) *Attorney, Agent, or Firm* — Matt Catlett

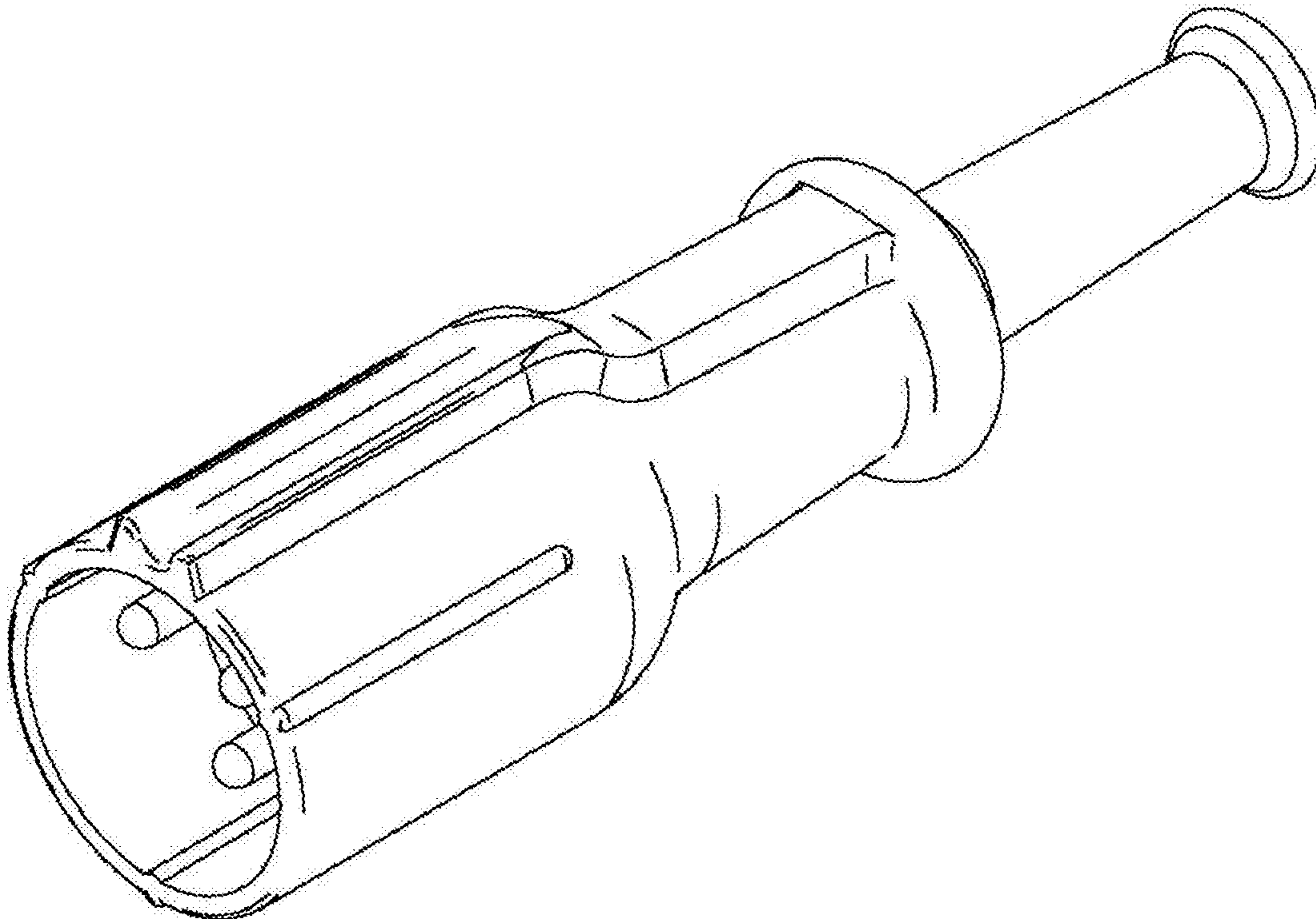
(57) **CLAIM**

We claim the ornamental design for a electrical plug, as shown and described.

DESCRIPTION

FIG. 1 is a top perspective view of an electrical plug showing our new design;
FIG. 2 is a side elevation view thereof;
FIG. 3 is a top plan view thereof; and,
FIG. 4 is a front elevation view thereof.

1 Claim, 4 Drawing Sheets



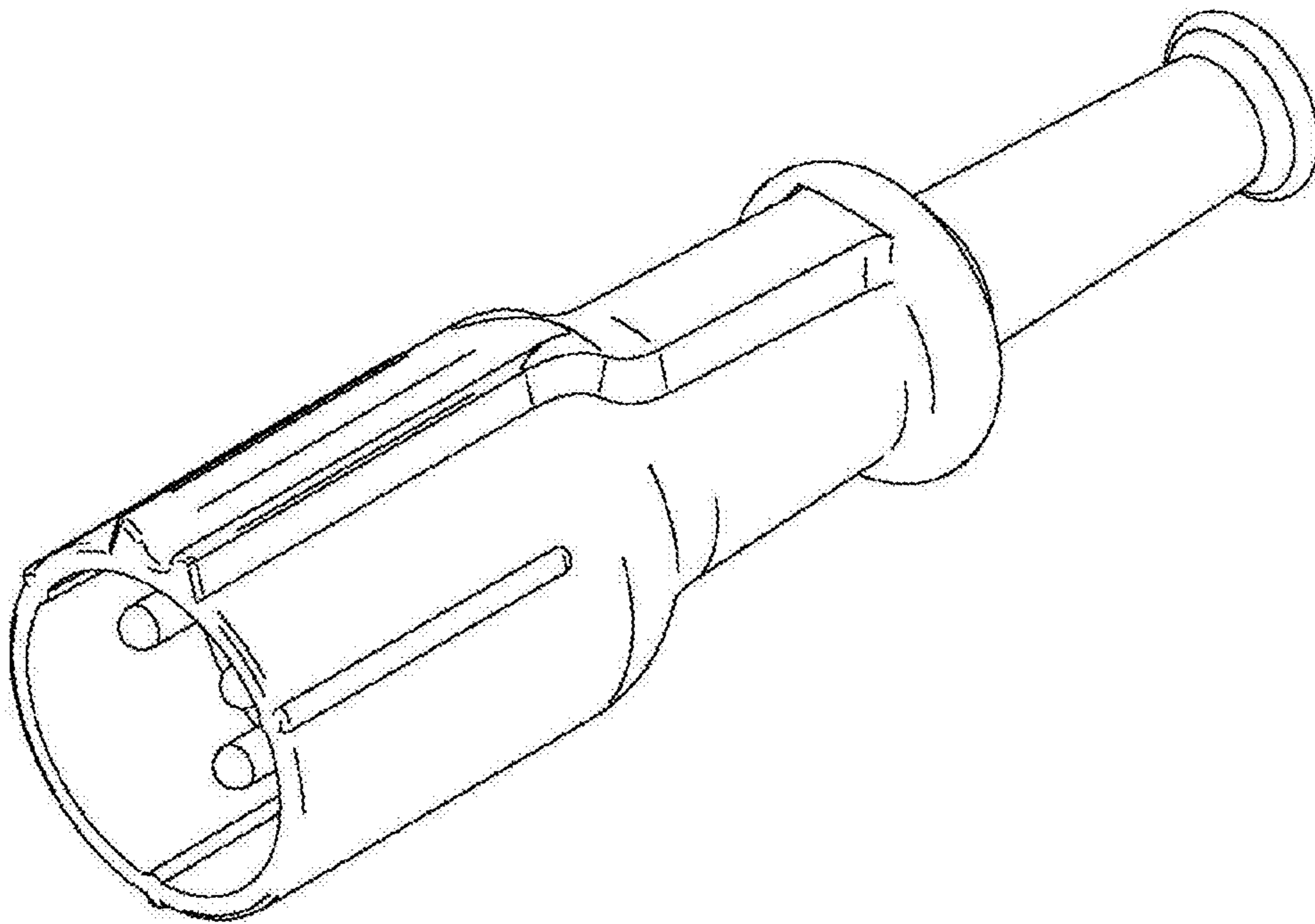


FIG. 1

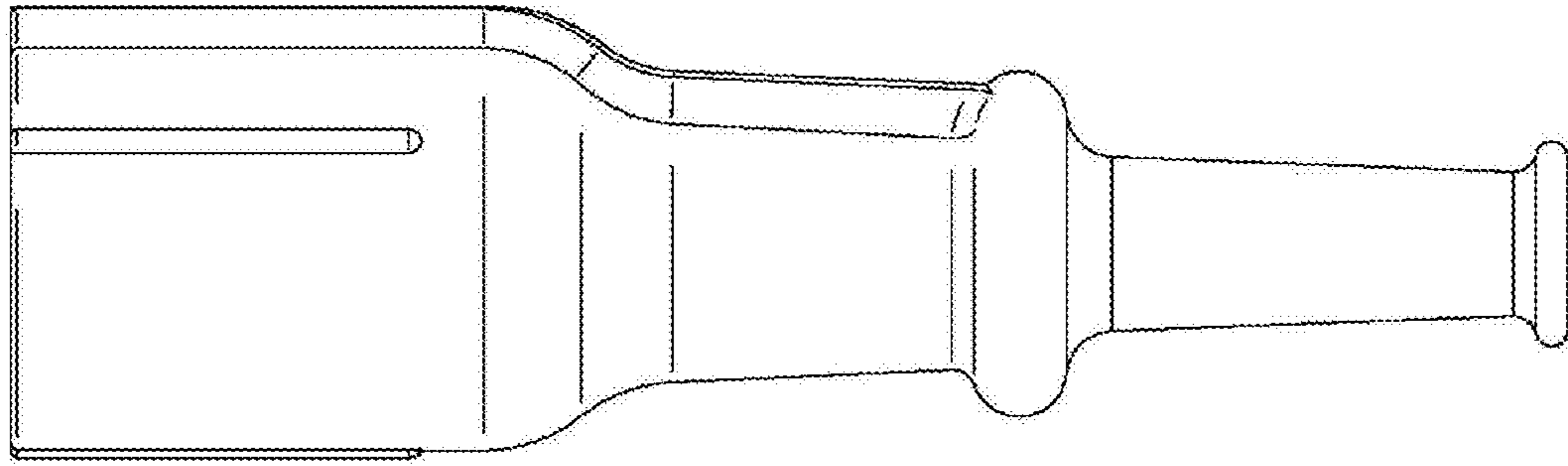


FIG. 2

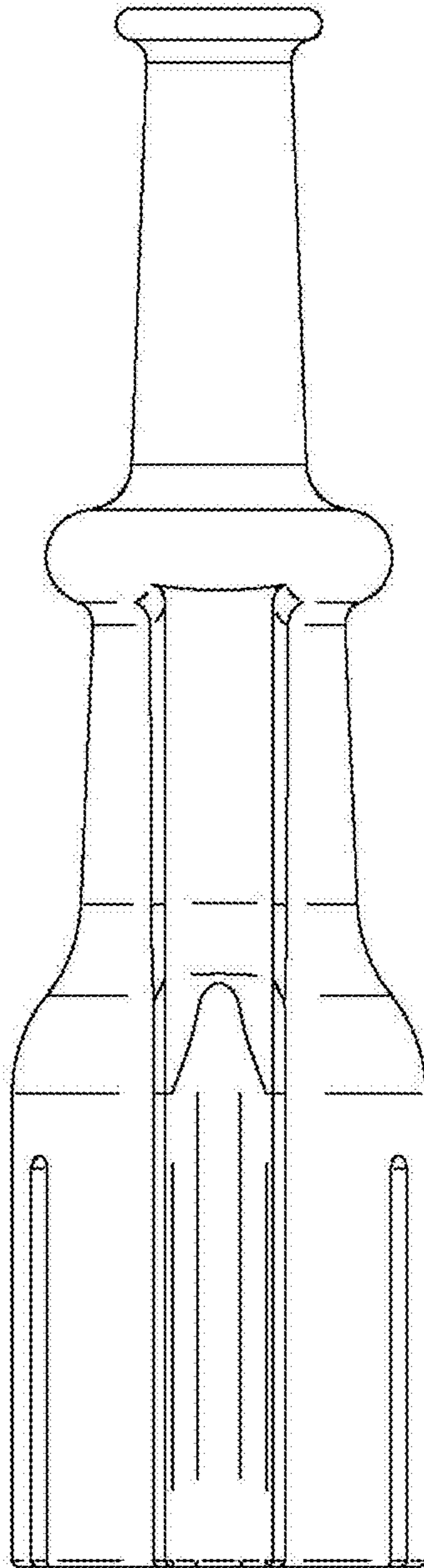


FIG. 3

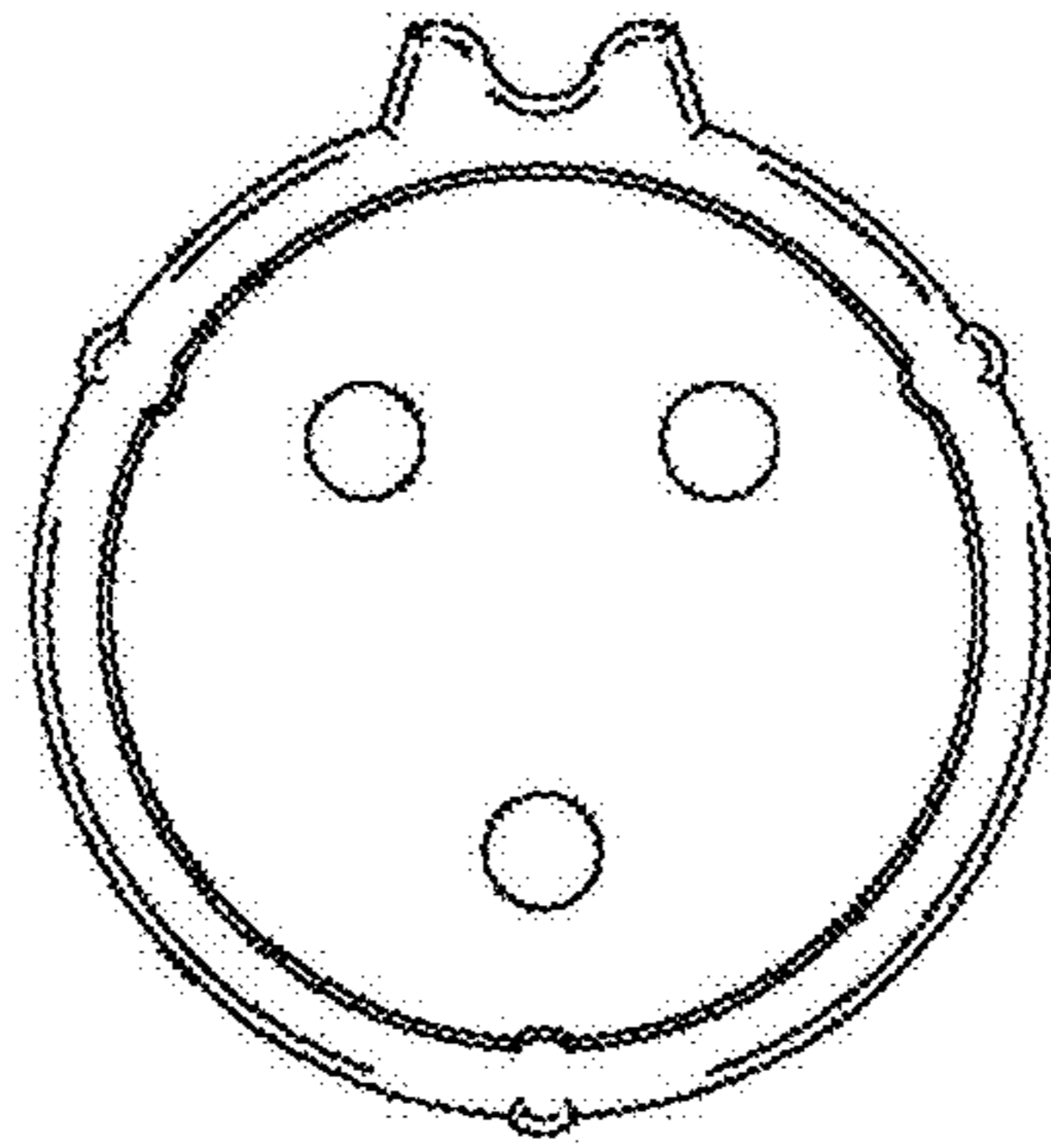


FIG. 4