



US00D705737S

(12) **United States Design Patent**
Zaslavsky et al.

(10) **Patent No.:** **US D705,737 S**

(45) **Date of Patent:** **** May 27, 2014**

(54) **FLEXIBLE POWER CONNECTOR FOR TYPE C SOCKETS**

(71) Applicant: **WebTuner, Corporation**, Redmond, WA (US)

(72) Inventors: **Eduard Zaslavsky**, Issaquah, WA (US);
Thomas E. Nichols, Redmond, WA (US)

(73) Assignee: **WebTuner, Corp.**, Redmond, WA (US)

(**) Term: **14 Years**

(21) Appl. No.: **29/468,375**

(22) Filed: **Sep. 30, 2013**

(51) **LOC (10) Cl.** **13-03**

(52) **U.S. Cl.**
USPC **D13/139.7**

(58) **Field of Classification Search**
USPC D13/139.1, 107, 109, 110, 112, 114,
D13/130, 131, 132, 133, 137, 137.1, 137.2,
D13/137.3, 137.4, 138.1, 138.2, 139.3,
D13/139.2, 139.4, 139.5, 139.7, 139.8, 146,
D13/147, 151, 152, 160, 161, 162, 164,
D13/199; D26/2, 3, 64, 75; 313/331, 357,
313/422

See application file for complete search history.

(56) **References Cited**

U.S. PATENT DOCUMENTS

D460,735 S * 7/2002 Verfuerrth D13/137.4
D472,520 S * 4/2003 Genicevitch D13/137.2
D596,572 S * 7/2009 Wu et al. D13/138.1

D610,993 S * 3/2010 Fahrendorff et al. D13/138.1
D635,514 S * 4/2011 Doucet D13/138.2
D635,922 S * 4/2011 Sato D13/139.4
D639,742 S * 6/2011 Doucet D13/139.8
D666,972 S * 9/2012 Kuo D13/139.1
D681,554 S * 5/2013 Nelson et al. D13/137.3

* cited by examiner

Primary Examiner — Robert M Spear

Assistant Examiner — Rhea Shields

(74) *Attorney, Agent, or Firm* — Remenick PLLC

(57) **CLAIM**

The ornamental design for a flexible power connector for type C sockets, as shown and described.

DESCRIPTION

FIG. 1 is a perspective view of the flexible power connector for type C sockets showing our new design;

FIG. 2 is a front view thereof;

FIG. 3 is a back view thereof;

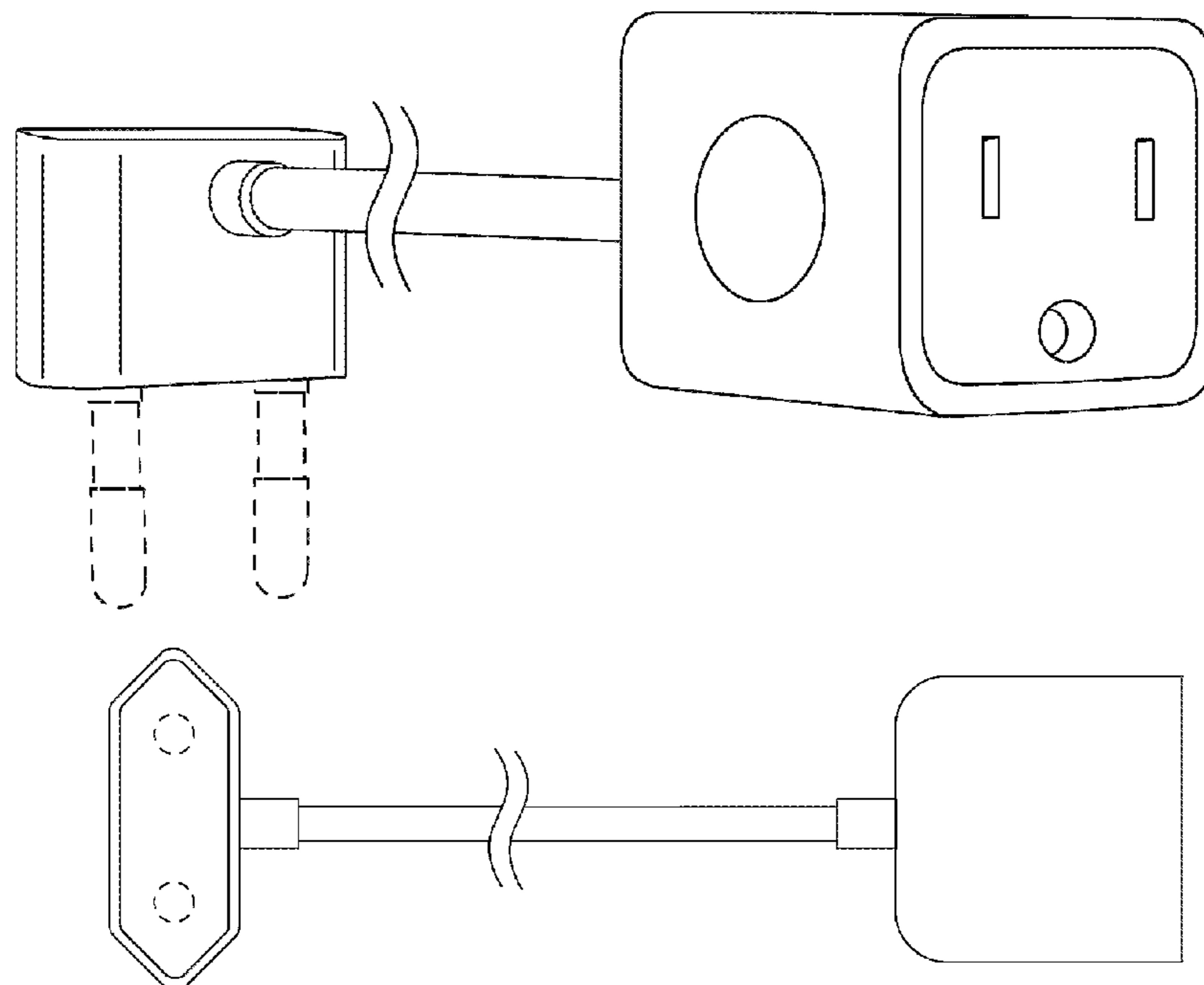
FIG. 4 is a top view thereof;

FIG. 5 is a right side view thereof, the left side being a mirror image; and,

FIG. 6 is a bottom view thereof.

The flexible power connector for type C sockets is shown with a symbolic break in its length. The appearance of any portion of the article beyond the break line forms no part of the claimed design. The broken lines in the drawings represent unclaimed environment only and form no part of the claimed design.

1 Claim, 2 Drawing Sheets



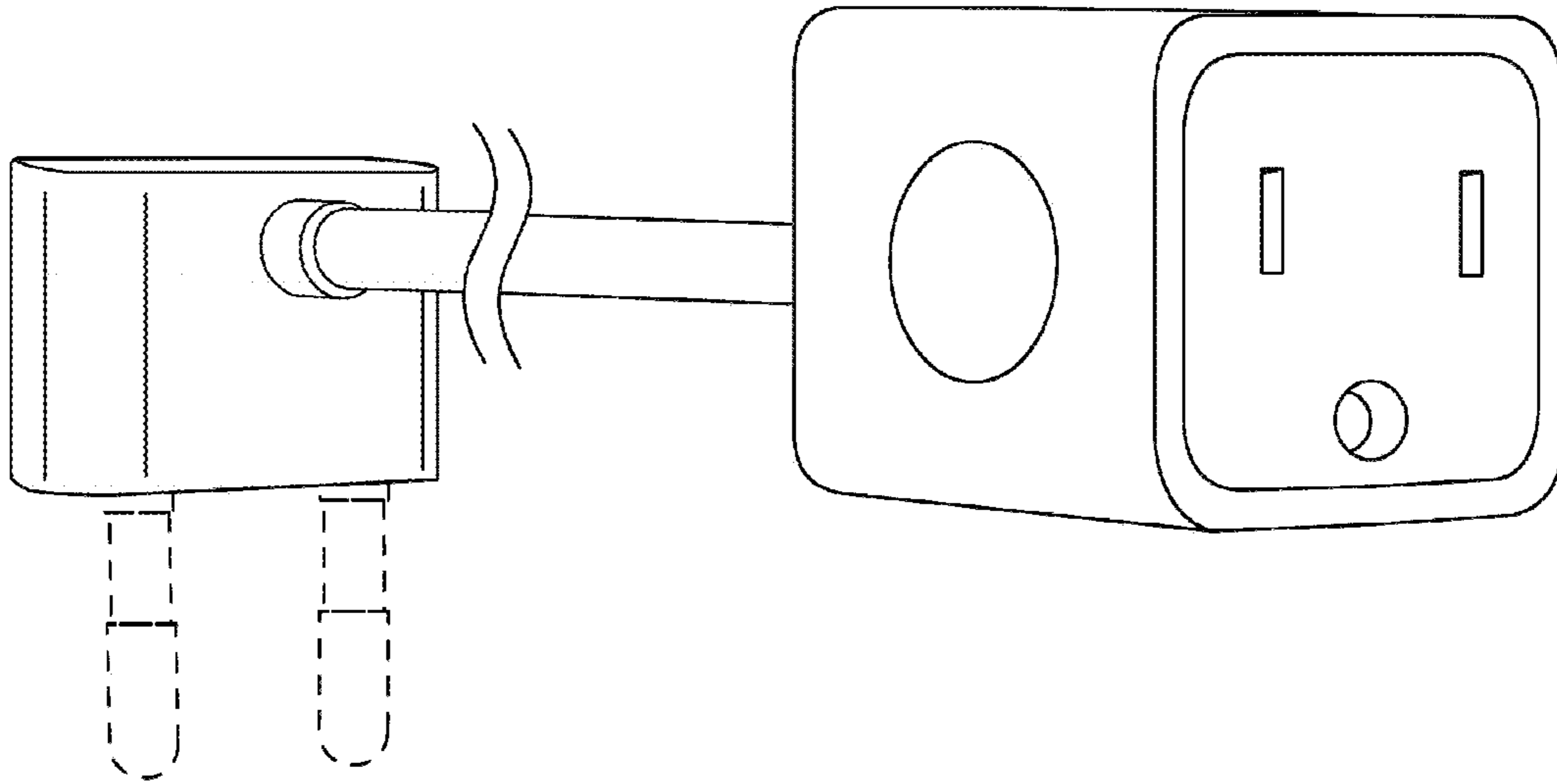


FIG. 1

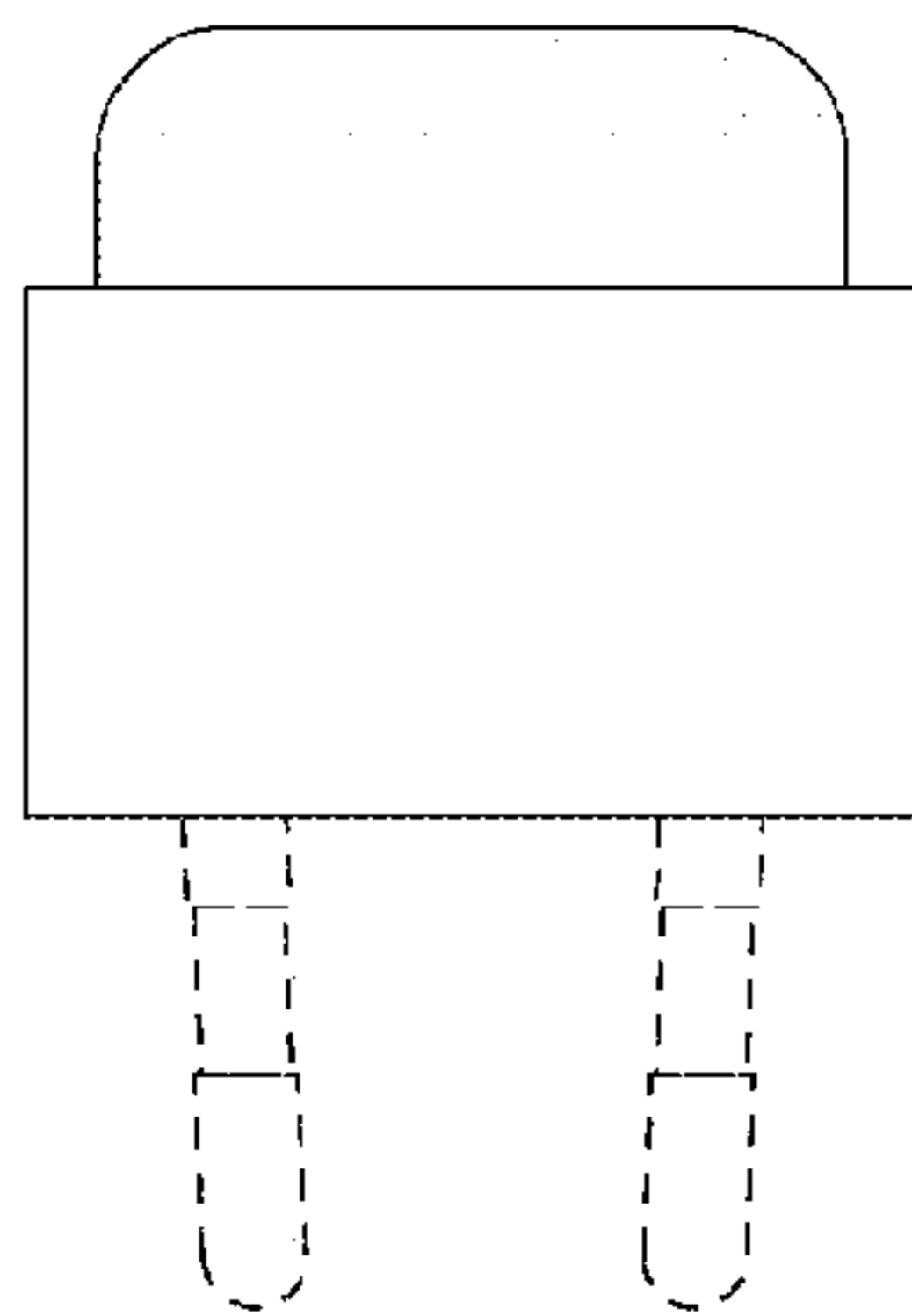


FIG. 2

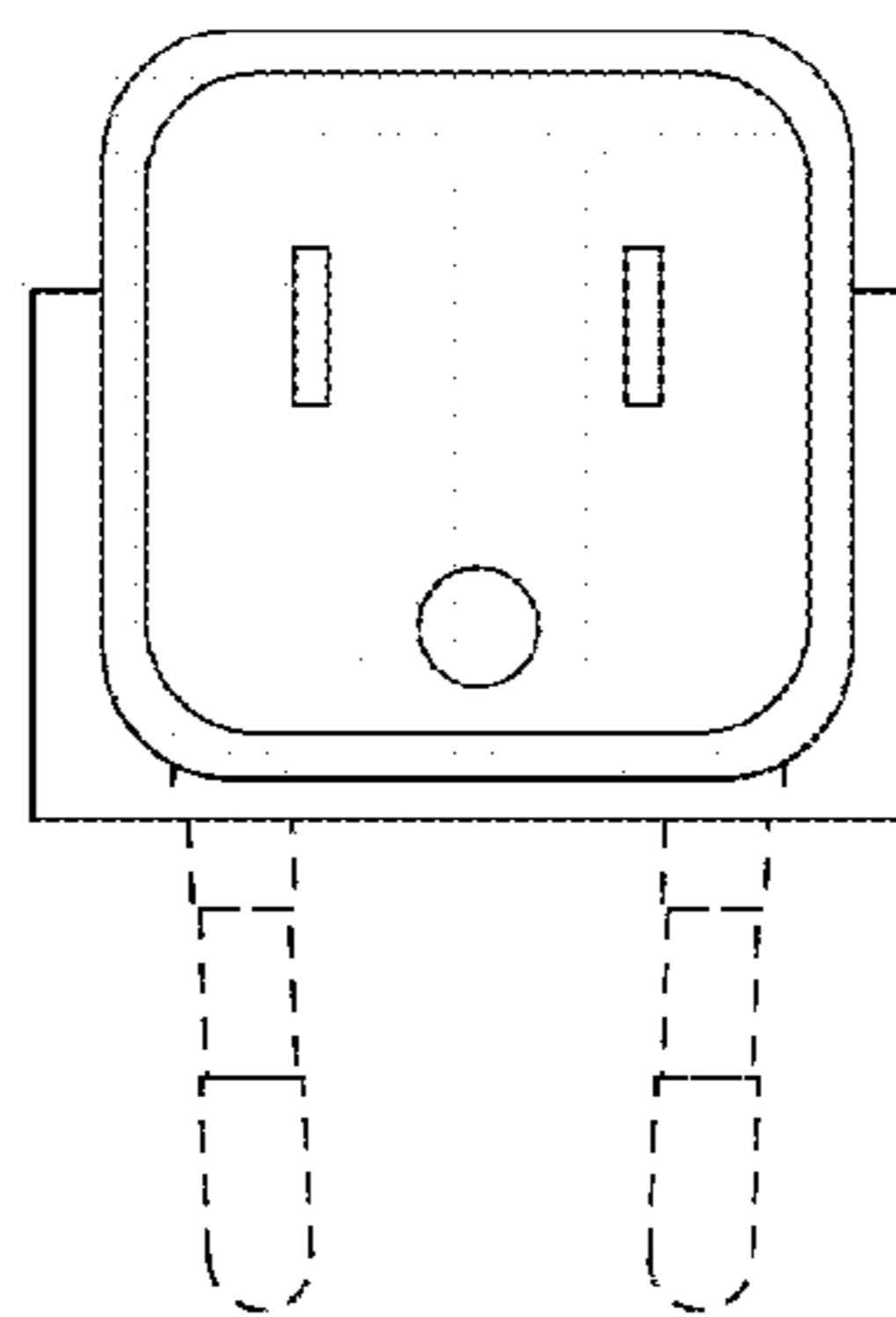


FIG. 3

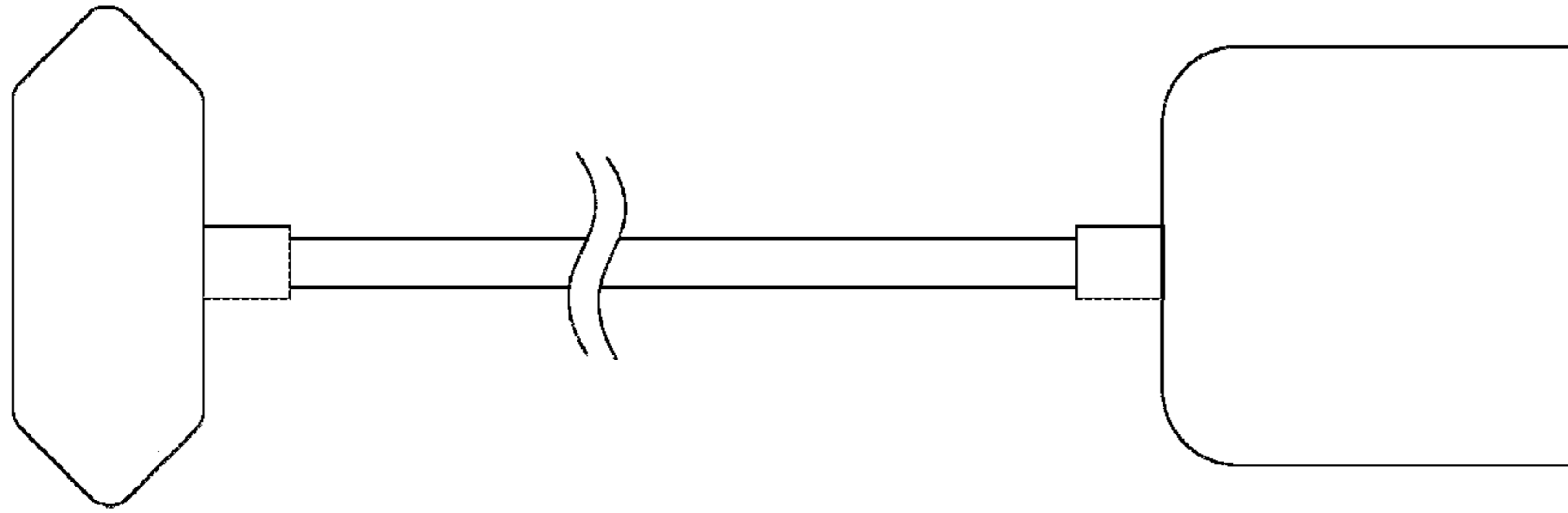


FIG. 4

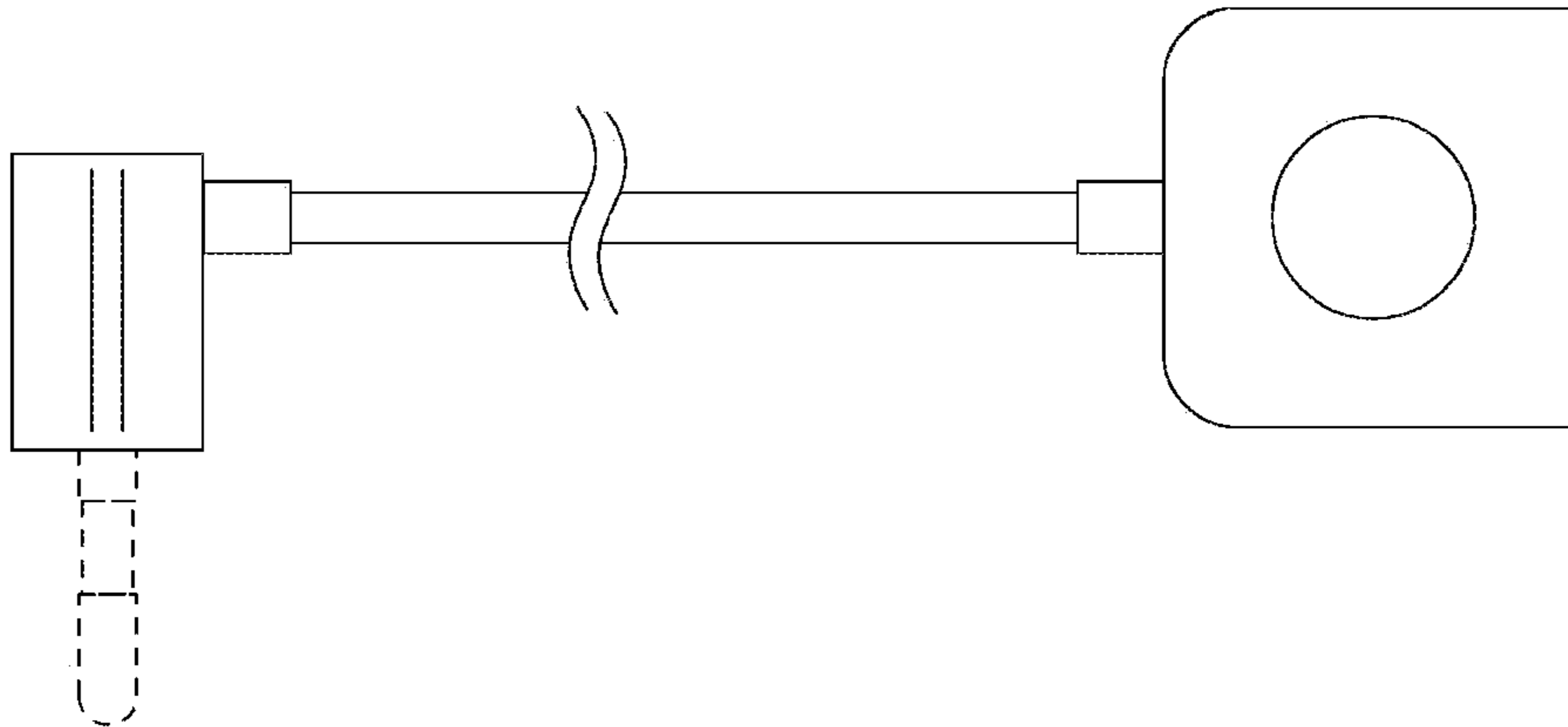


FIG. 5

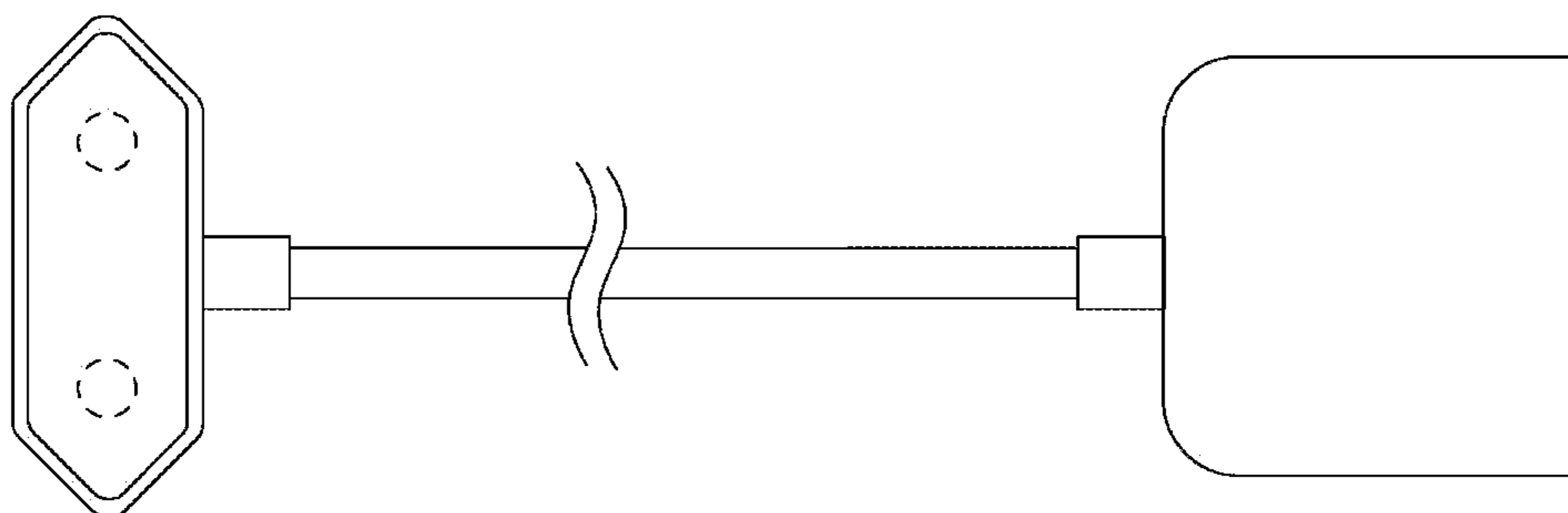


FIG. 6