



US00D705736S

(12) **United States Design Patent**
Zaslavsky et al.

(10) **Patent No.:** **US D705,736 S**

(45) **Date of Patent:** **** *May 27, 2014**

(54) **FLEXIBLE POWER CONNECTOR FOR TYPE G SOCKETS**

D13/199; D26/2, 3, 64, 75; 313/331, 357,
313/422

See application file for complete search history.

(71) Applicant: **WebTuner, Corporation**, Redmond, WA (US)

Primary Examiner — Ian Simmons

Assistant Examiner — Rhea Shields

(72) Inventors: **Eduard Zaslavsky**, Issaquah, WA (US);
Thomas E. Nichols, Redmond, WA (US)

(74) *Attorney, Agent, or Firm* — Remencik PLLC

(73) Assignee: **WebTuner, Corp.**, Redmond, WA (US)

(57) **CLAIM**

The ornamental design for a flexible power connector for type G sockets, as shown and described.

(*) Notice: This patent is subject to a terminal disclaimer.

DESCRIPTION

(**) Term: **14 Years**

FIG. 1 is a perspective view of the flexible power connector for type G sockets showing our new design;

FIG. 2 is a front view thereof;

FIG. 3 is a back view thereof;

FIG. 4 is a top view thereof;

FIG. 5 is a right side view thereof, the left side being a minor image; and,

FIG. 6 is a bottom view thereof.

(21) Appl. No.: **29/468,372**

(22) Filed: **Sep. 30, 2013**

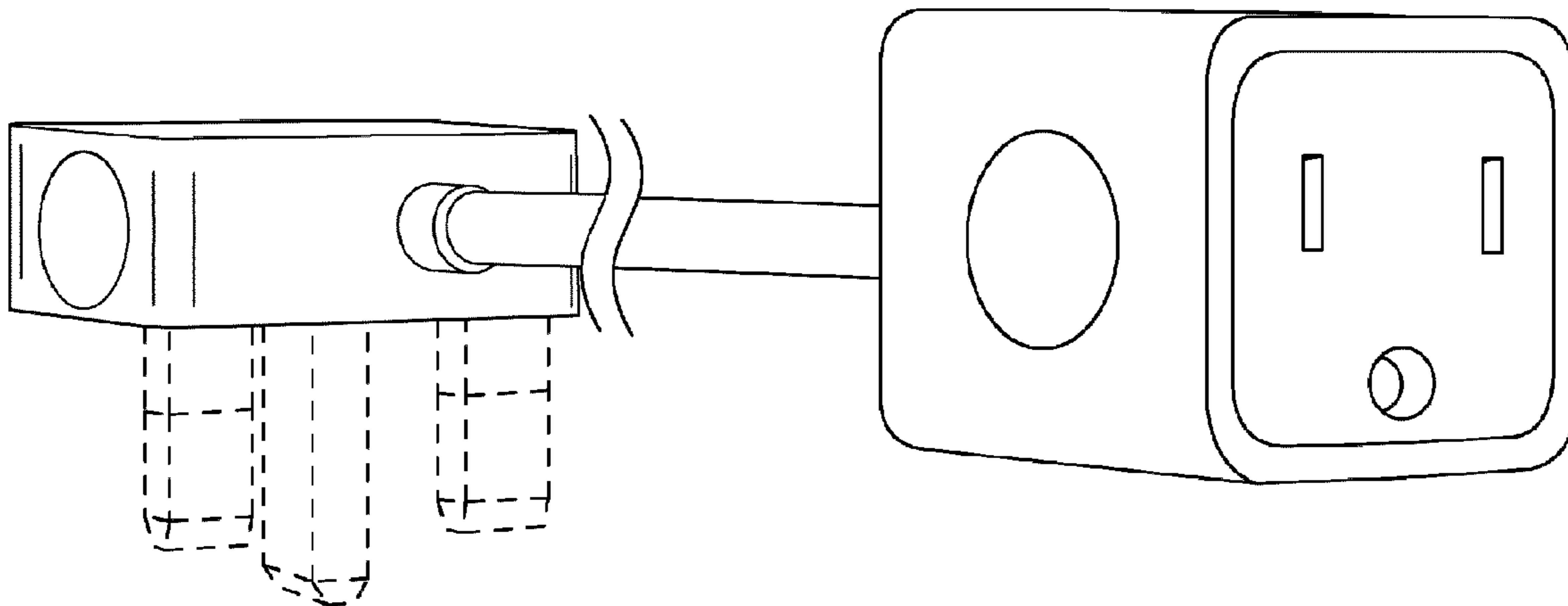
The flexible power connector for type G sockets is shown with a symbolic break in its length. The appearance of any portion of the article beyond the break line forms no part of the claimed design. The broken lines in the drawings represent unclaimed environment only and form no part of the claimed design.

(51) **LOC (10) Cl.** **13-03**

(52) **U.S. Cl.**
USPC **D13/139.7**

(58) **Field of Classification Search**
USPC D13/139.1, 107, 109, 110, 112, 114,
D13/130, 131, 132, 133, 137, 137.1, 137.2,
D13/137.3, 137.4, 138.1, 138.2, 139.3,
D13/139.2, 139.4, 139.5, 139.7, 139.8, 146,
D13/147, 151, 152, 160, 161, 162, 164,

1 Claim, 2 Drawing Sheets



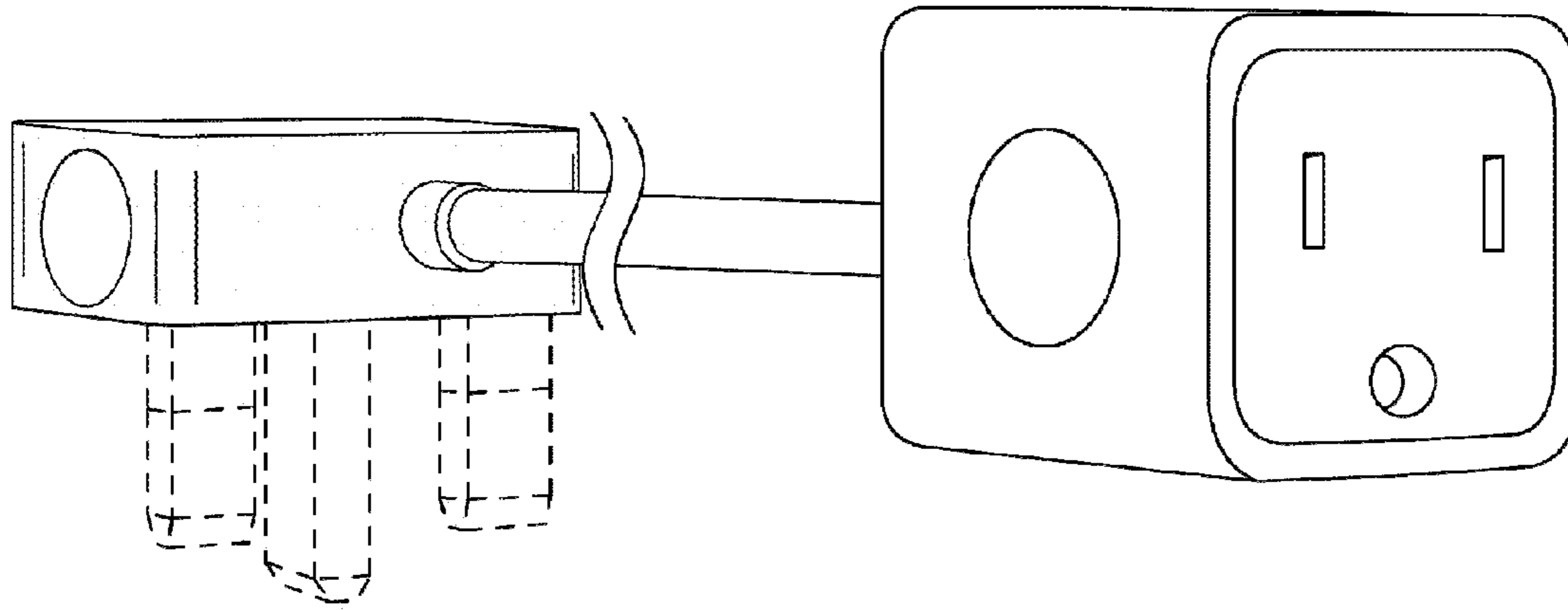


FIG. 1

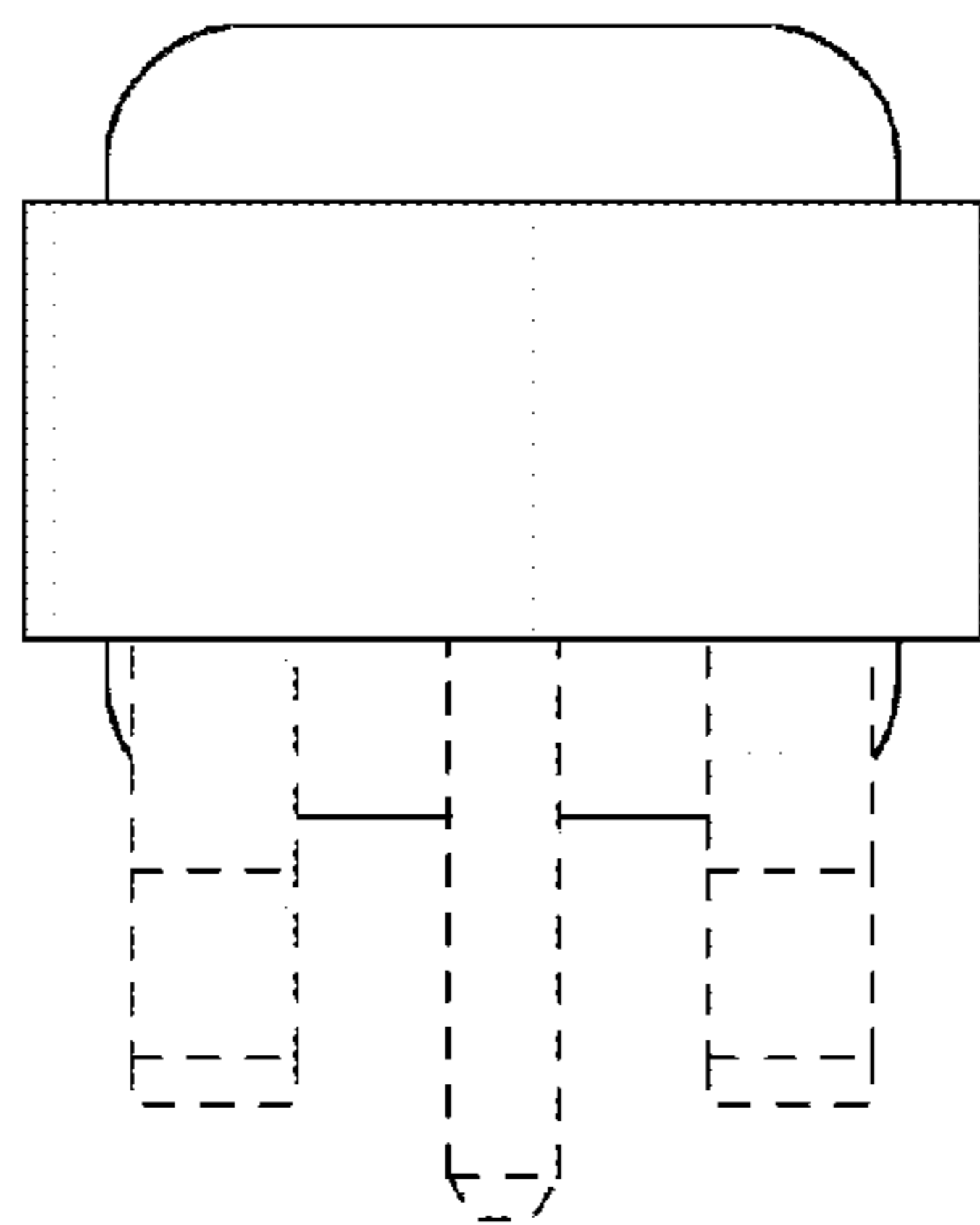


FIG. 2

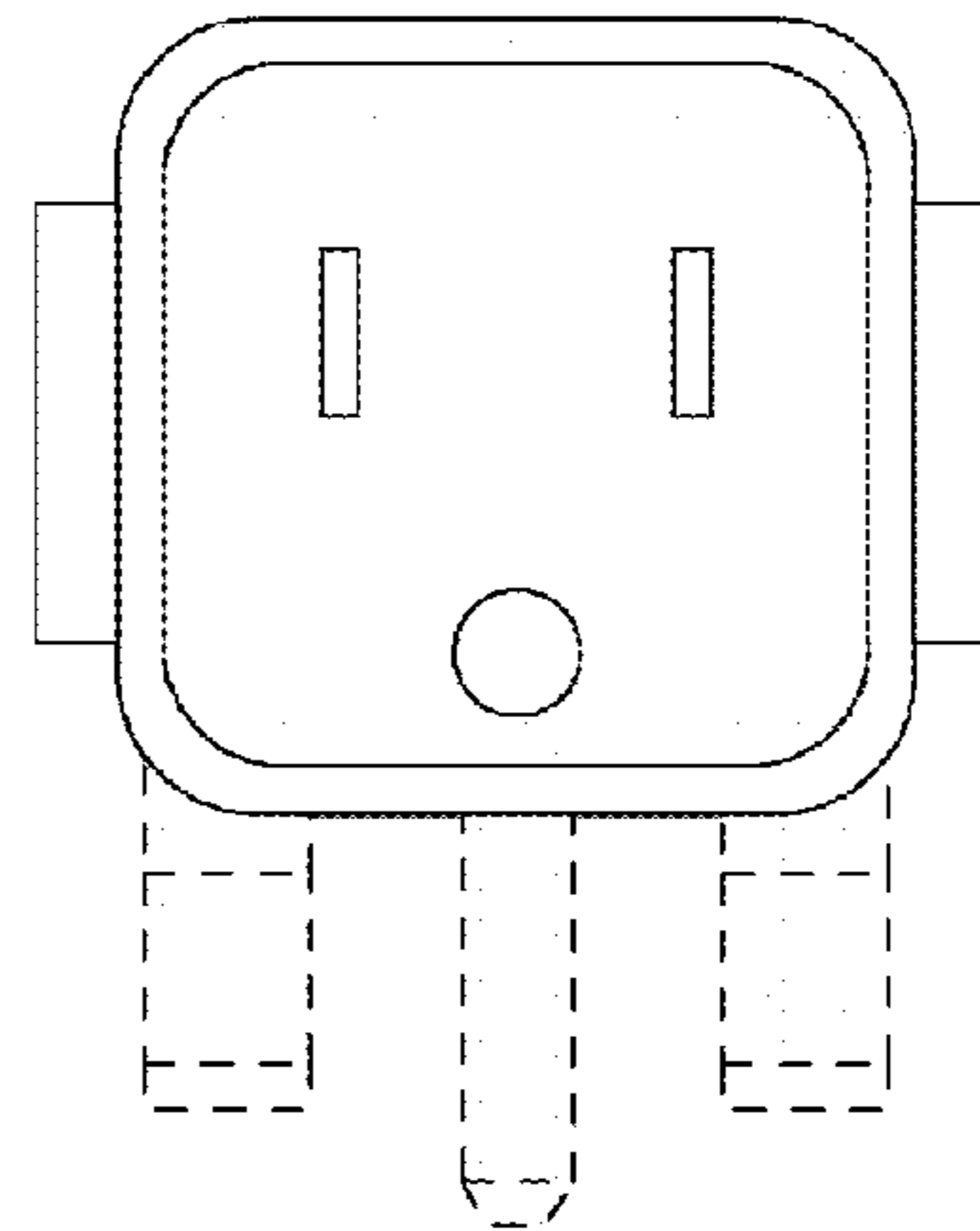


FIG. 3

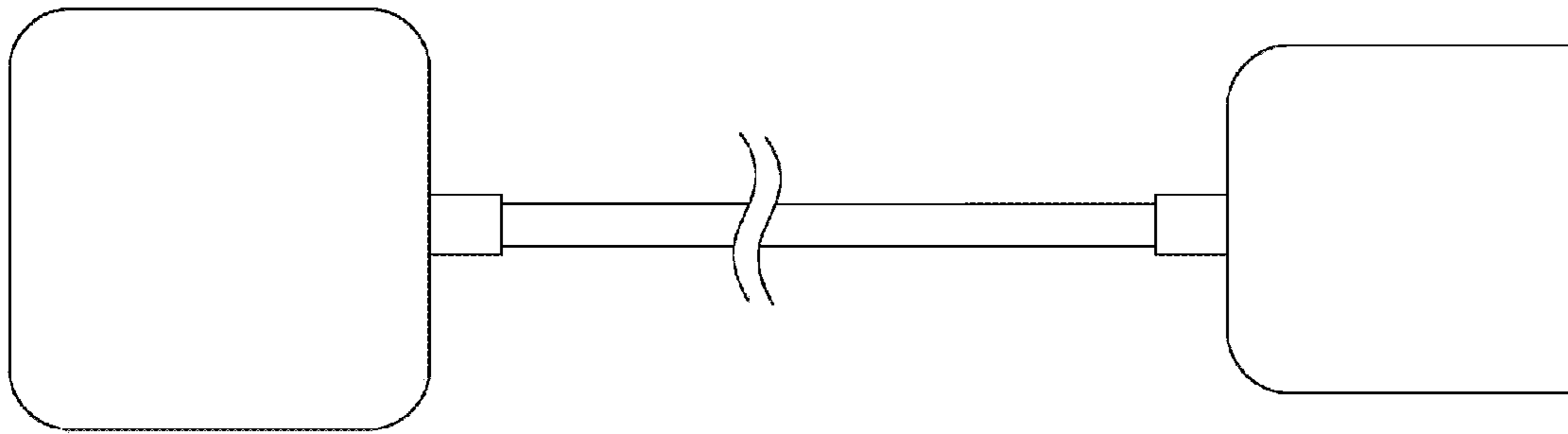


FIG. 4

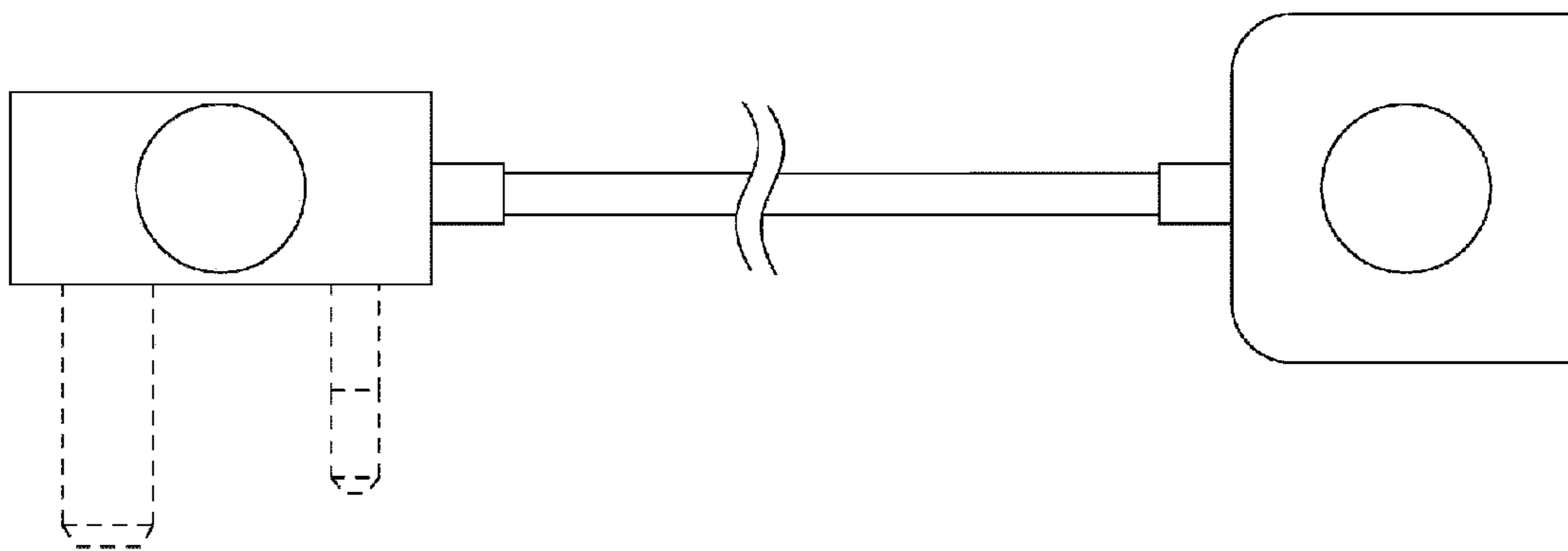


FIG. 5

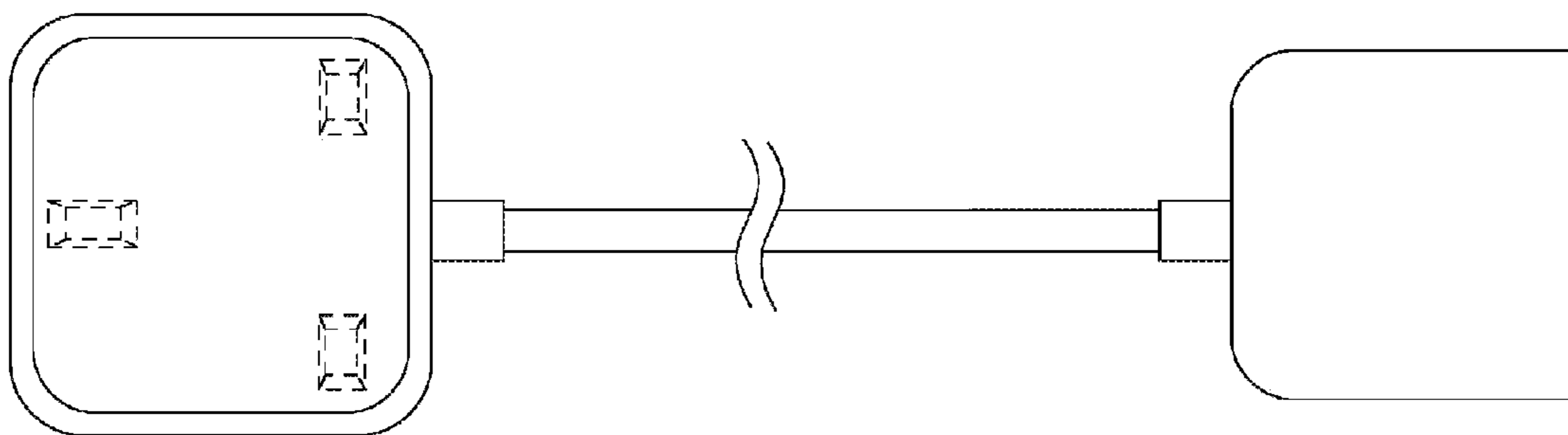


FIG. 6