



US00D705731S

(12) **United States Design Patent**
Zhong et al.

(10) **Patent No.:** **US D705,731 S**

(45) **Date of Patent:** **** May 27, 2014**

(54) **OPTICAL FIBER PLUG**

(71) Applicant: **SUNSEA Telecommunications Co., Ltd.**, Guangdong (CN)

(72) Inventors: **Zhiyun Zhong**, Guangdong (CN); **Guo Yang**, Guangdong (CN); **Qiyue Wang**, Guangdong (CN)

(73) Assignee: **Sunsea Telecommunications Co., Ltd.**, Guangdong (CN)

(**) Term: **14 Years**

(21) Appl. No.: **29/447,601**

(22) Filed: **Mar. 5, 2013**

(30) **Foreign Application Priority Data**

Jan. 14, 2013 (CN) 2013 3 0009884

(51) **LOC (10) Cl.** **13-03**

(52) **U.S. Cl.**
USPC **D13/133**

(58) **Field of Classification Search**
USPC D13/133, 146, 147, 154, 184, 199;
385/53, 54, 55, 56, 76, 77, 88, 89
See application file for complete search history.

(56) **References Cited**

U.S. PATENT DOCUMENTS

D434,376 S * 11/2000 Connelly D13/133
D481,680 S * 11/2003 Cheng et al. D13/133

D523,396 S * 6/2006 Shiraishi et al. D13/133
D670,652 S * 11/2012 Chen et al. D13/133
D674,347 S * 1/2013 Shifris et al. D13/133
D676,384 S * 2/2013 Yang et al. D13/133
D680,075 S * 4/2013 Yang et al. D13/133

* cited by examiner

Primary Examiner — Daniel Bui

Assistant Examiner — Khawaja Anwar

(74) *Attorney, Agent, or Firm* — Nixon & Vanderhye, P.C.

(57) **CLAIM**

The ornamental design for an optical fiber plug, as shown and described.

DESCRIPTION

FIG. 1 is a front view of an optical fiber plug showing our new design;
FIG. 2 is rear view thereof;
FIG. 3 is a left side view thereof;
FIG. 4 is a right side view thereof;
FIG. 5 is a top view thereof;
FIG. 6 is a bottom view thereof; and,
FIG. 7 is a first perspective view thereof.
The broken line portion in the figure drawing views is included for the purpose of illustrating environment and forms no part of the claimed design.

1 Claim, 2 Drawing Sheets

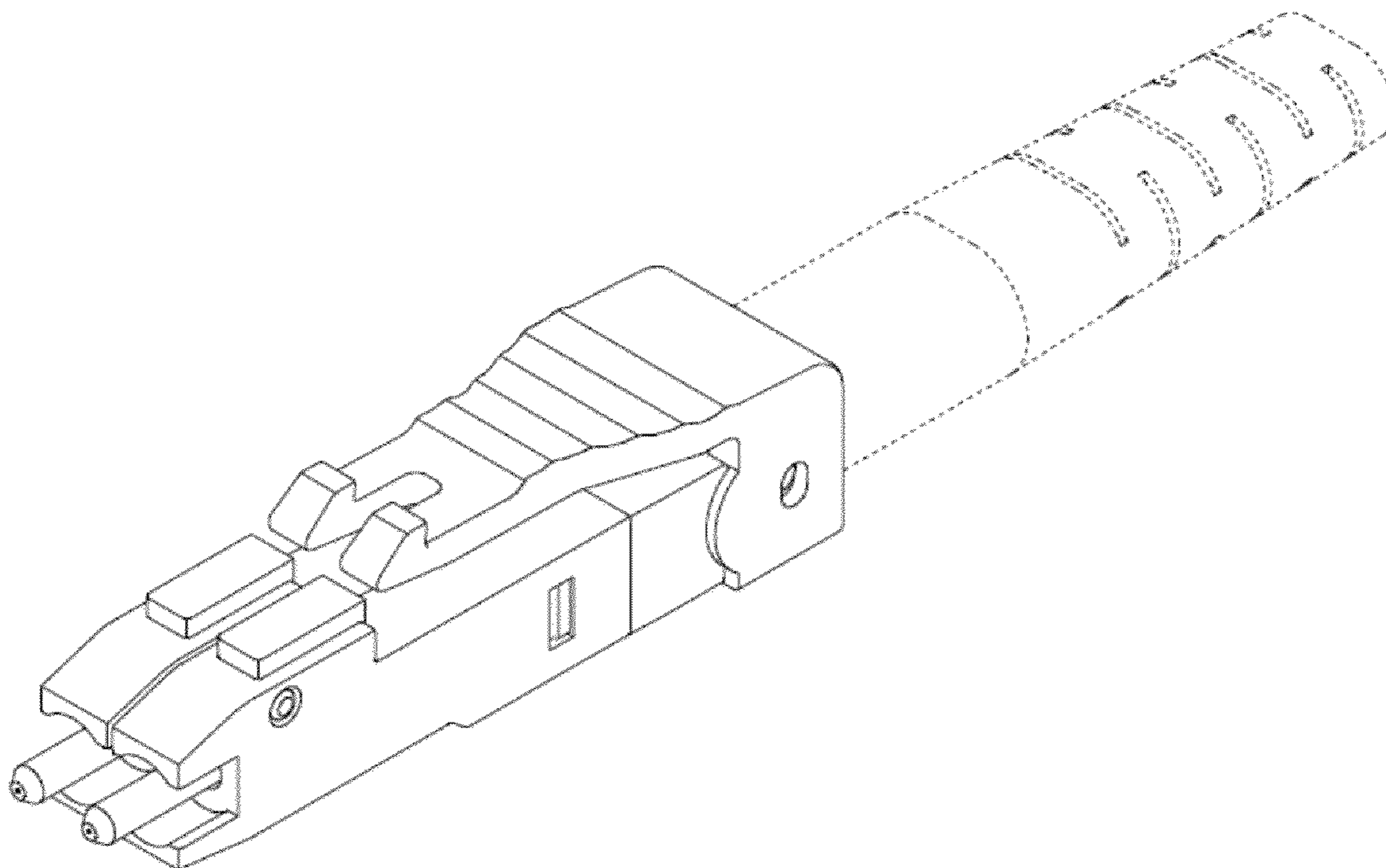


Fig. 1

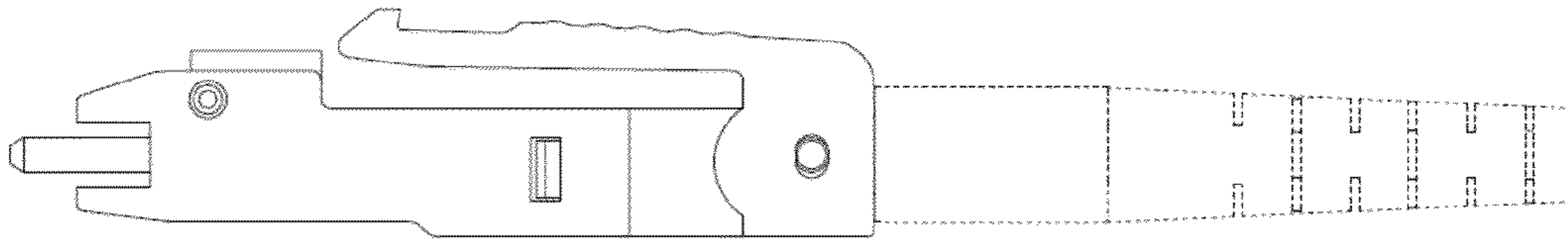


Fig. 2

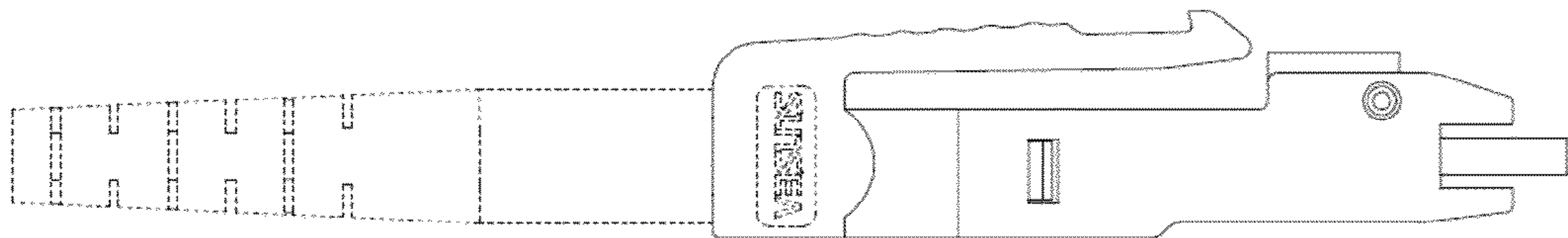


Fig. 3

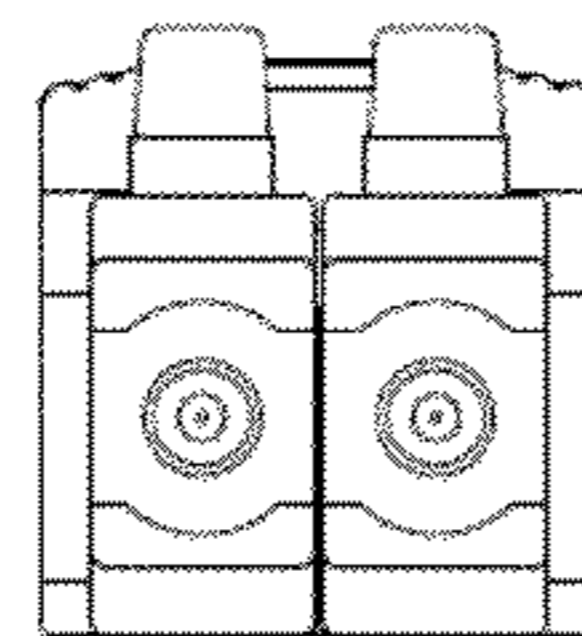


Fig. 4

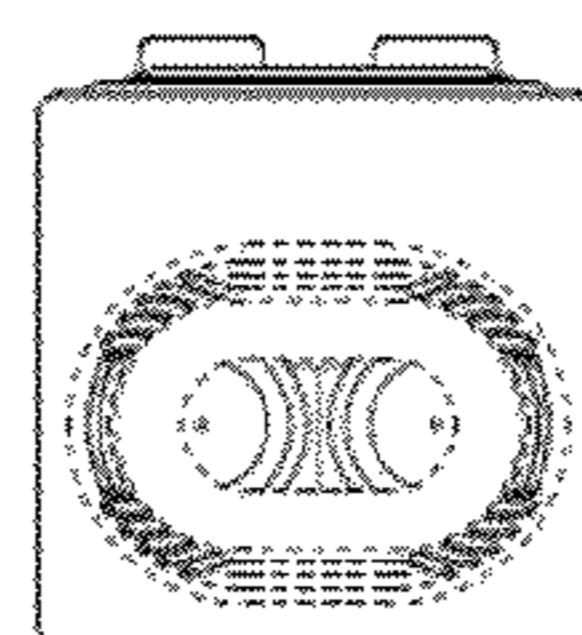


Fig. 5

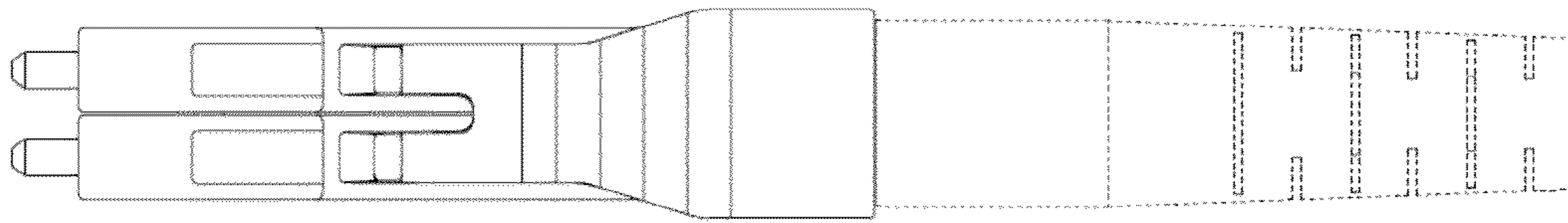


Fig. 6

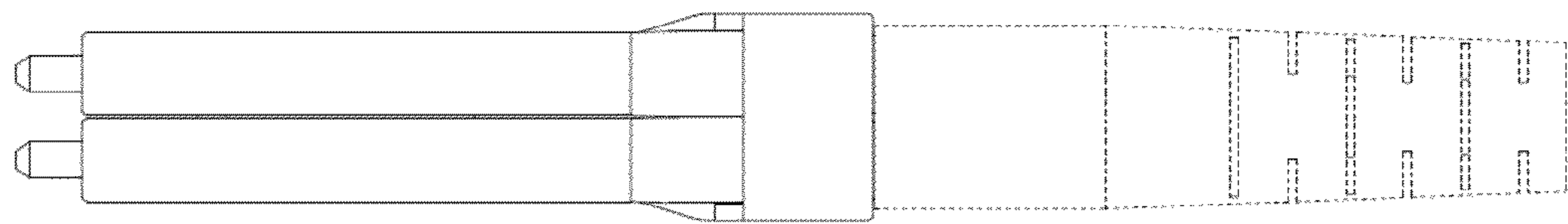


Fig. 7

