



US00D705730S

(12) **United States Design Patent**
Kretzschmar et al.

(10) **Patent No.:** **US D705,730 S**
(45) **Date of Patent:** **** May 27, 2014**

(54) **MULTI-RECEPTACLE ELECTRICAL CORD
END**

(75) Inventors: **Edwin N. Kretzschmar**, Leander, TX
(US); **Attila Bendeguz**, Austin, TX
(US); **James B. A. Tracey**, Austin, TX
(US)

(73) Assignee: **Great Stuff, Inc.**, Austin, TX (US)

(**) Term: **14 Years**

(21) Appl. No.: **29/416,283**

(22) Filed: **Mar. 20, 2012**

(51) **LOC (10) Cl.** **13-03**

(52) **U.S. Cl.**

USPC **D13/133; D13/110**

(58) **Field of Classification Search**

USPC D13/110, 118, 120, 133, 137.1, 137.2,
D13/137.4, 139.1, 139.7, 146, 147, 154,
D13/184, 199; 439/49, 378, 379, 381, 501,
439/502, 509, 527, 529, 533, 540.1, 892,
439/894

See application file for complete search history.

(56) **References Cited**

U.S. PATENT DOCUMENTS

4,052,751 A	10/1977	Shepard
4,058,735 A	11/1977	Tippner
4,131,805 A	12/1978	Austin et al.
4,153,923 A	5/1979	Graf
4,384,688 A	5/1983	Smith
4,403,143 A	9/1983	Walker et al.
4,713,497 A	12/1987	Smith
5,428,471 A	6/1995	McDermott
5,600,306 A	2/1997	Ichikawa et al.
5,781,015 A	7/1998	Duffin et al.
6,191,697 B1	2/2001	Hansen et al.
6,230,109 B1	5/2001	Miskimins et al.
6,276,502 B1	8/2001	Leyba et al.
6,323,652 B1	11/2001	Collier et al.

6,437,957 B1	8/2002	Karuppana et al.
7,136,266 B2	11/2006	Gershen et al.
7,320,843 B2	1/2008	Harrington
7,350,736 B2	4/2008	Caamano et al.
7,419,038 B2	9/2008	Caamano et al.
7,503,338 B2	3/2009	Harrington et al.

(Continued)

FOREIGN PATENT DOCUMENTS

WO WO 2013/022791 2/2013

OTHER PUBLICATIONS

International Search Report and Written Opinion for application No. PCT/US2012/049628, mailed on Oct. 26, 2012, by Blaine R. Copenheaver.

(Continued)

Primary Examiner — Daniel Bui

Assistant Examiner — Khawaja Anwar

(74) *Attorney, Agent, or Firm* — Knobbe, Martens, Olson & Bear LLP

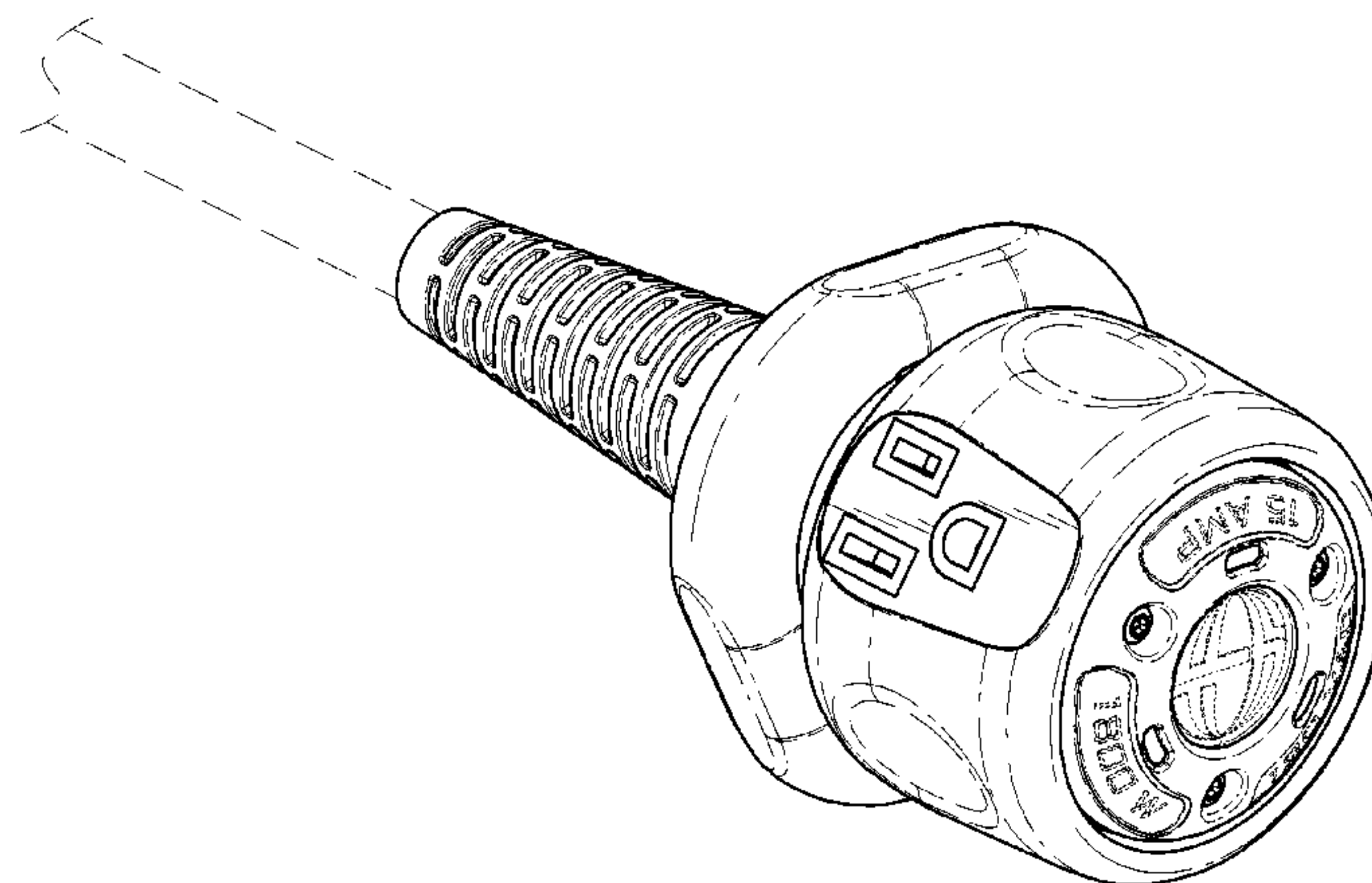
(57) **CLAIM**

The ornamental design for a multi-receptacle electrical cord end, as shown and described.

DESCRIPTION

FIG. 1 is a perspective view of a multi-receptacle electrical cord end showing our new design; FIG. 2 is a front view thereof; FIG. 3 is a rear view thereof; FIG. 4 is a top view thereof; FIG. 5 is a bottom view thereof; FIG. 6 is a left side view thereof; and, FIG. 7 is a right side view thereof. The broken line portion in the figure drawing views is included for the purpose of illustrating unclaimed environment and forms no part of the claimed design.

1 Claim, 4 Drawing Sheets



(56)

References Cited

U.S. PATENT DOCUMENTS

7,533,843 B2 5/2009 Caamano et al.
D599,290 S * 9/2009 Lee D13/137.2
7,607,603 B1 10/2009 Chang
7,657,499 B2 2/2010 Newman et al.
7,692,904 B2 4/2010 Li et al.
D617,272 S * 6/2010 The D13/133
7,751,161 B2 7/2010 Williams
7,973,538 B2 7/2011 Karam
D651,977 S * 1/2012 Lee D13/139.1
8,123,010 B2 2/2012 Skowronski et al.
8,201,673 B2 6/2012 Caamano et al.
8,302,895 B2 11/2012 Inman
D685,328 S * 7/2013 Kirtland D13/137.2
8,489,622 B2 7/2013 Joshi
D692,382 S * 10/2013 Liu D13/133

D692,829 S * 11/2013 Dobler D13/133
2007/0255833 A1 11/2007 Sharma
2008/0194137 A1* 8/2008 Kuo 439/489
2008/0223951 A1 9/2008 Tracey et al.
2012/0049653 A1 3/2012 Tracey et al.
2013/0032654 A1 2/2013 Tracey et al.
2013/0171865 A1 7/2013 Ceraldi et al.
2013/0171866 A1 7/2013 Tracey et al.

OTHER PUBLICATIONS

Masterplug Switched 4 Socket Cable Reel, accessed on Nov. 2, 2011 at <http://www.screwfix.com/p/masterplug-switched-4-socket-cable-reel-work-power-30m-13>.

Master Plug Performance 2 Socket Cable Extension Reel, accessed on Nov. 2, 2011 at <http://www.ck-supplies.com/index.php?catID=1233&prodID=7168>.

* cited by examiner

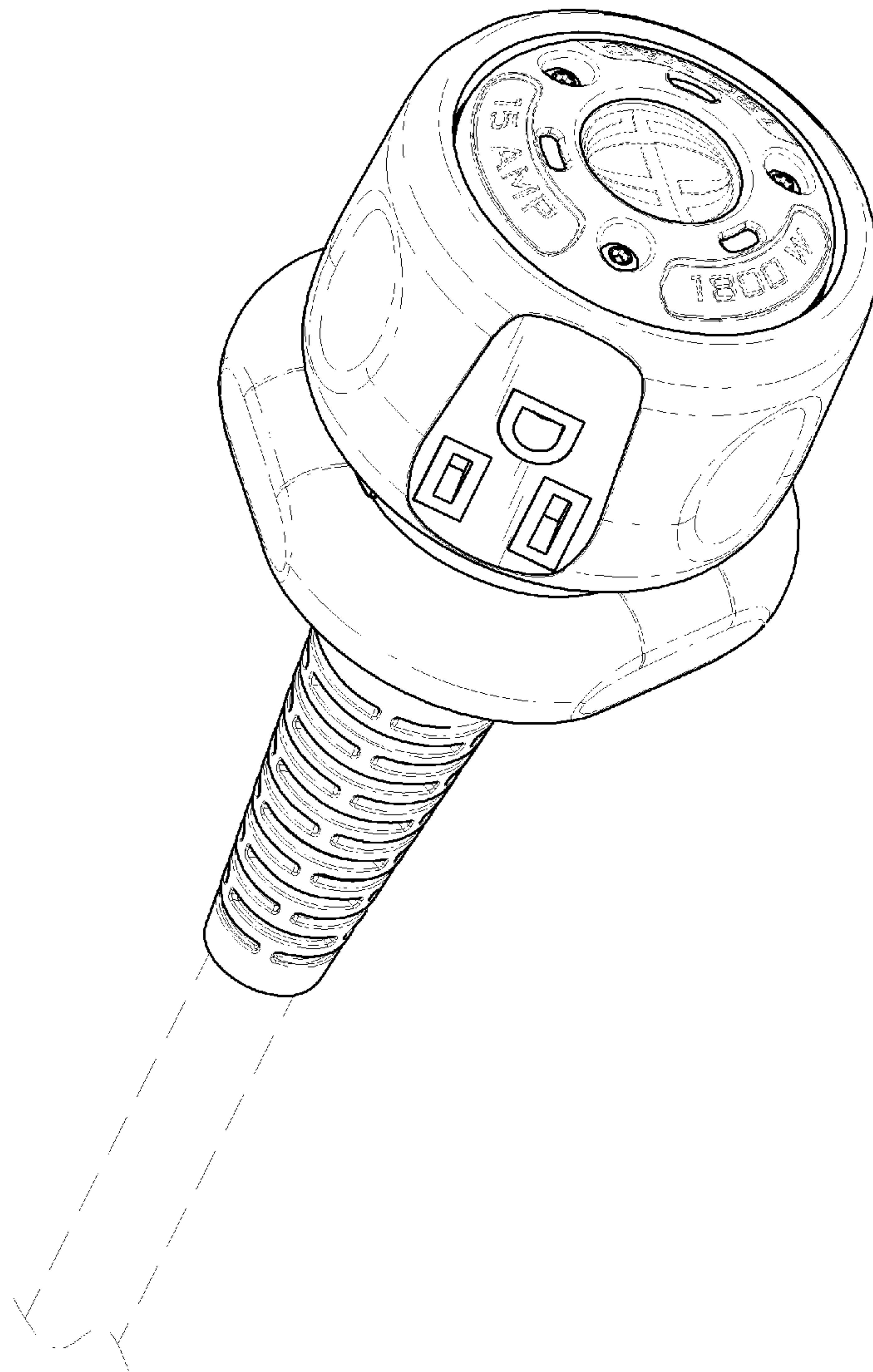


FIG. 1

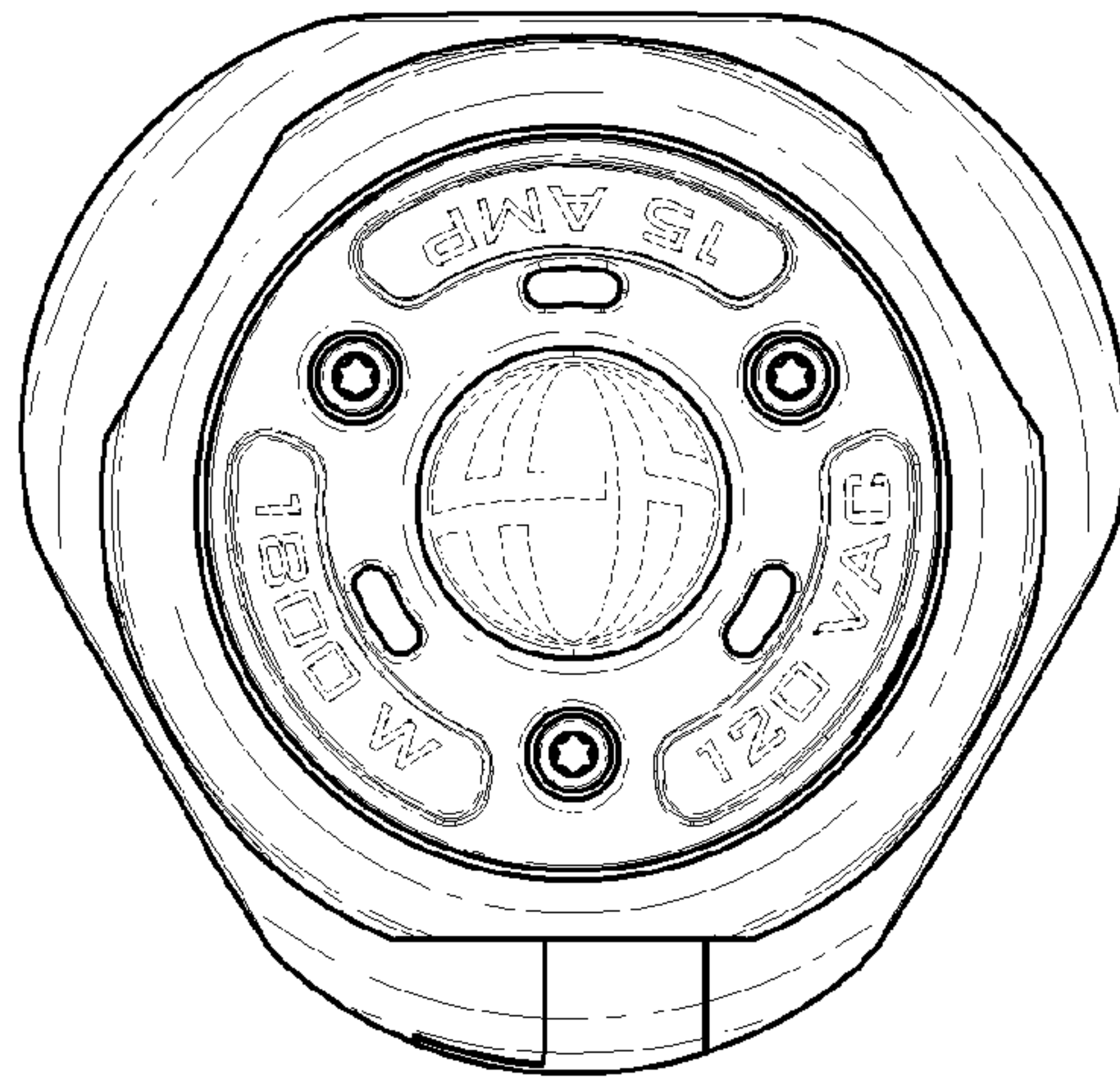


FIG. 2

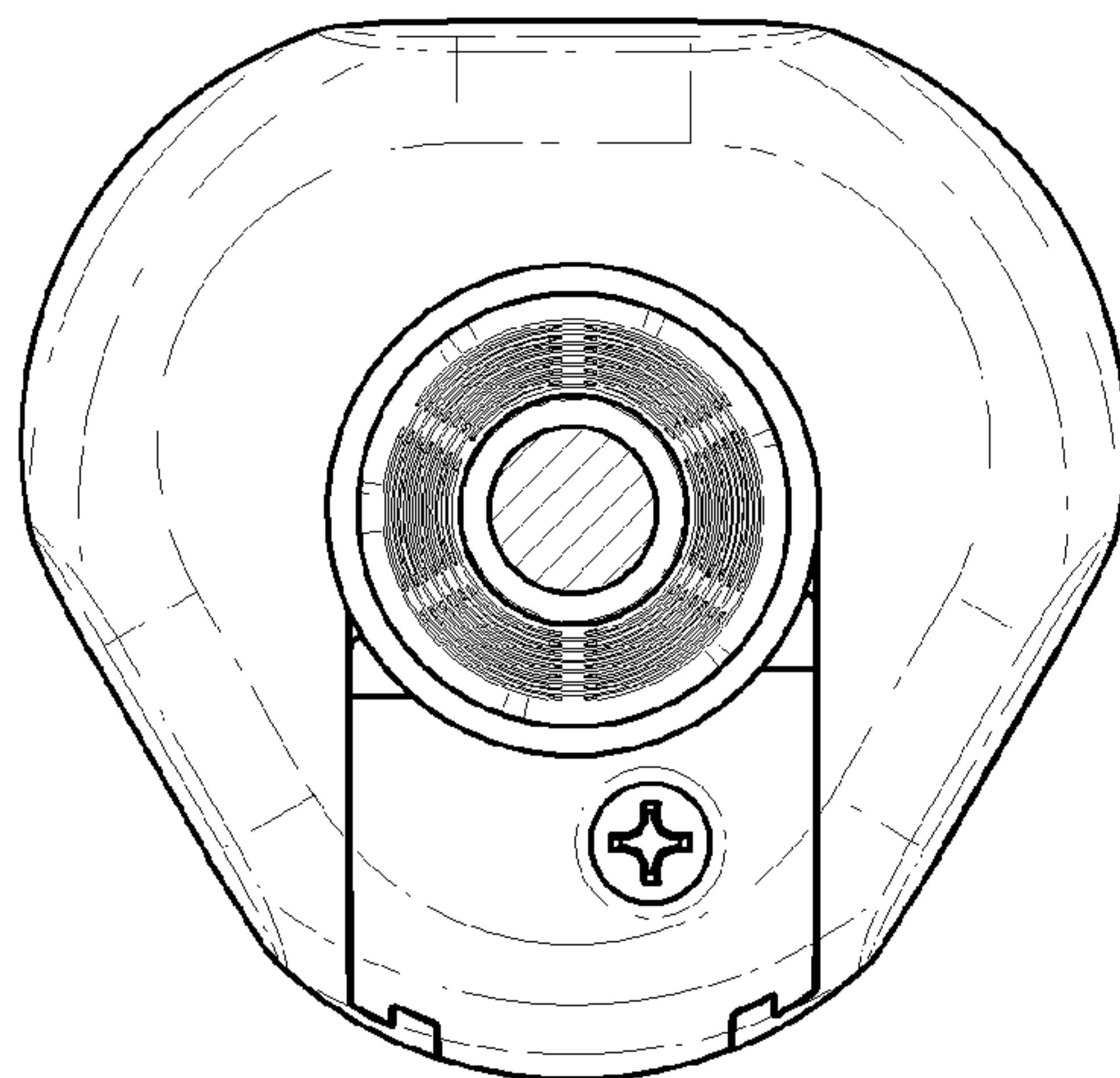


FIG. 3

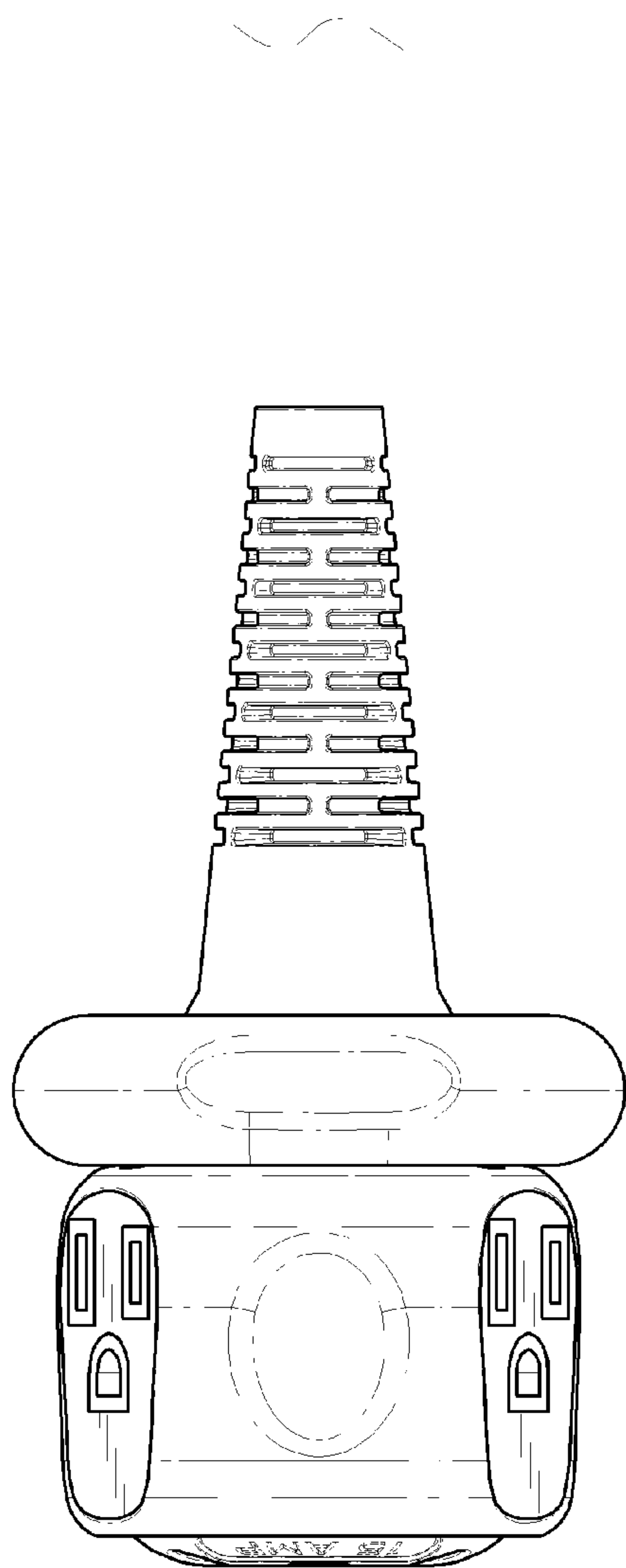


FIG. 4

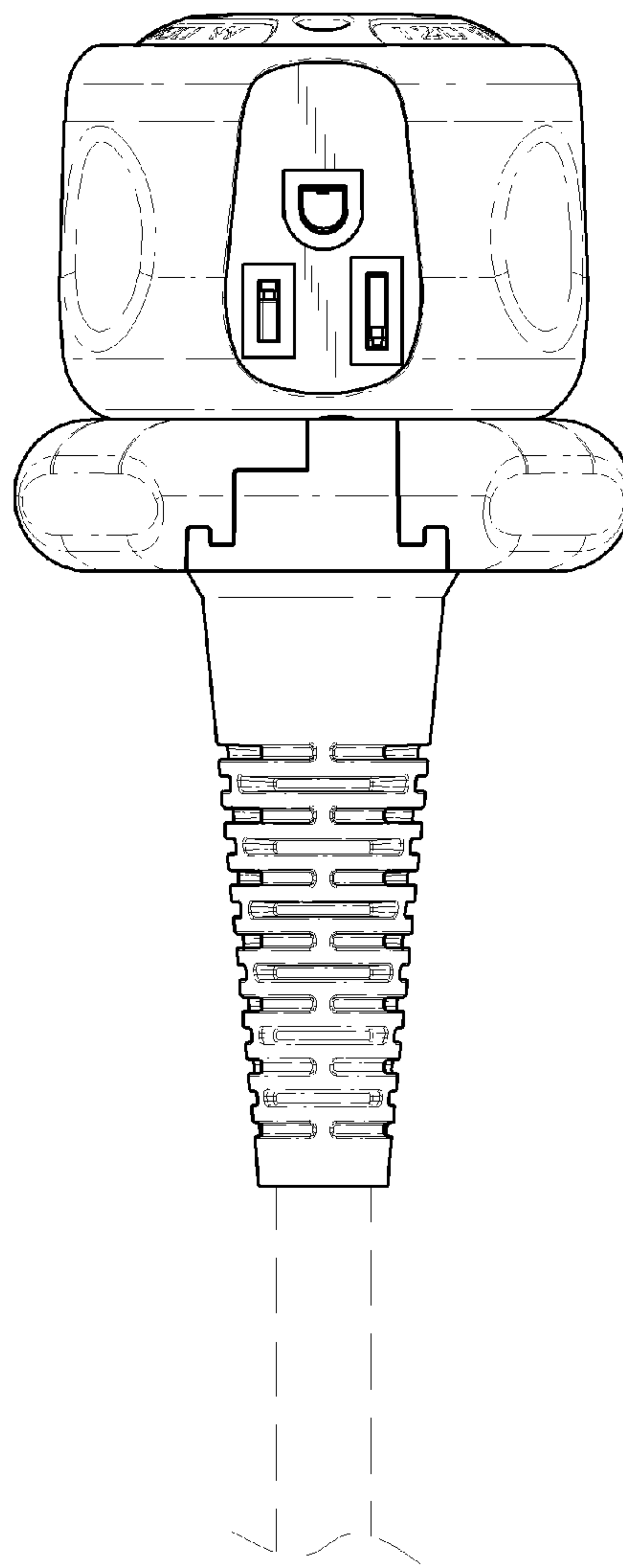


FIG. 5

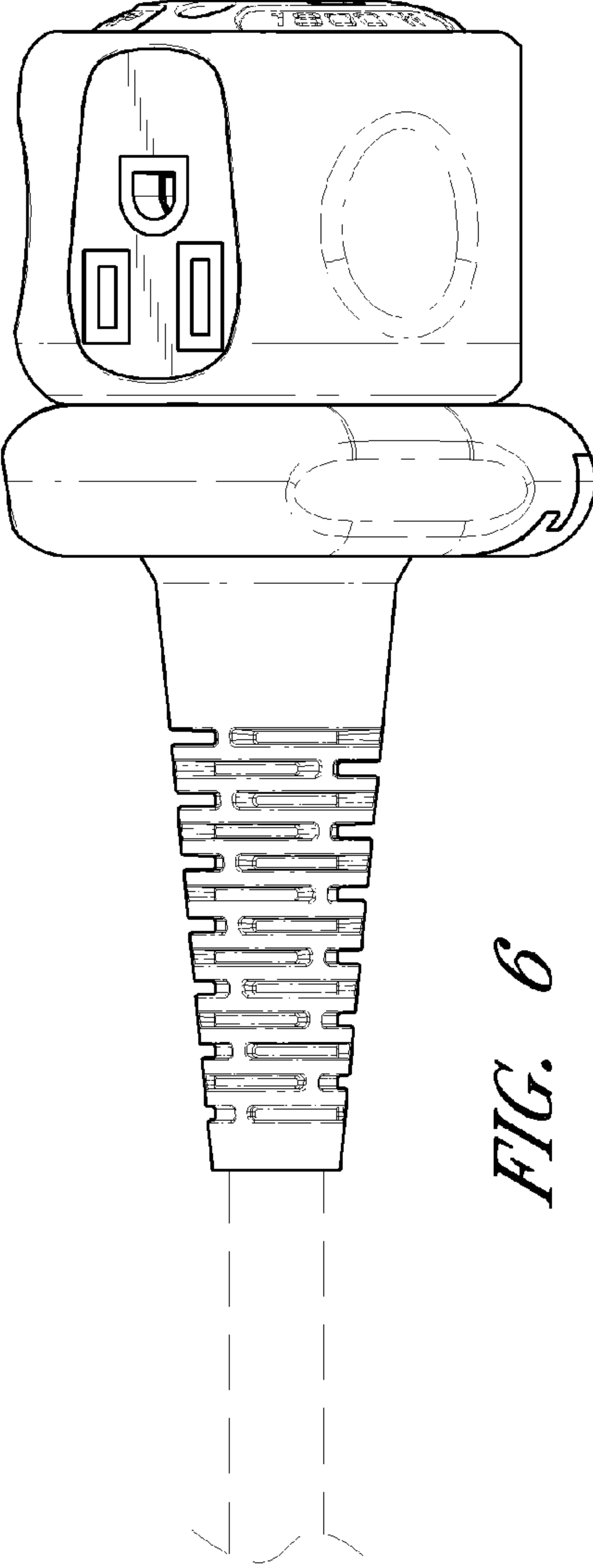


FIG. 6

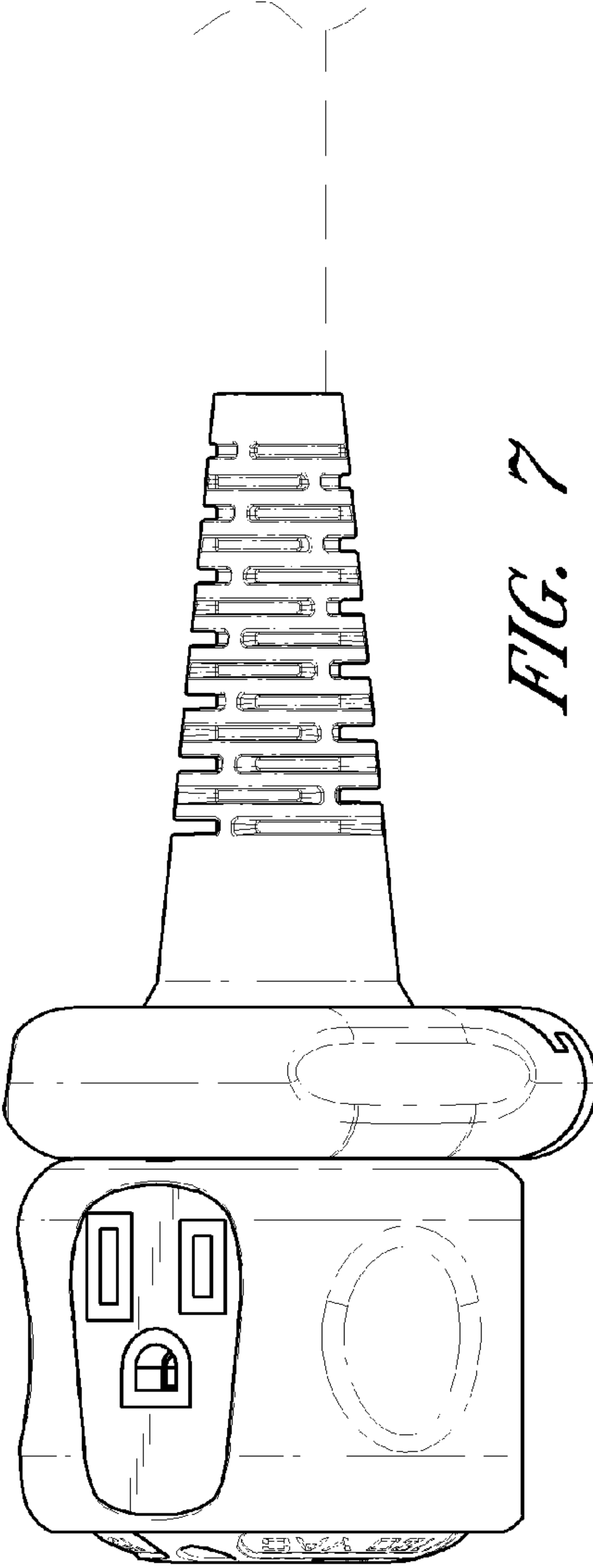


FIG. 7