



US00D705729S

(12) **United States Design Patent**
Inskeep

(10) **Patent No.:** **US D705,729 S**

(45) **Date of Patent:** **** May 27, 2014**

(54) **POWER INVERTER**

(71) Applicant: **Mathew Inskeep**, Boca Raton, FL (US)

(72) Inventor: **Mathew Inskeep**, Boca Raton, FL (US)

(**) Term: **14 Years**

(21) Appl. No.: **29/471,011**

(22) Filed: **Oct. 28, 2013**

(51) **LOC (10) Cl.** **13-02**

(52) **U.S. Cl.**
USPC **D13/110; D13/144**

(58) **Field of Classification Search**
USPC D13/110, 144, 101, 107, 108, 118, 133,
D13/137.1, 199; D14/432, 433; 307/150,
307/151; 363/141, 146; 439/483, 668, 669
See application file for complete search history.

(56) **References Cited**

U.S. PATENT DOCUMENTS

D509,792 S *	9/2005	Hsu	D13/110
D544,439 S *	6/2007	Hussaini et al.	D13/110
D548,692 S *	8/2007	Krieger et al.	D13/110
D548,694 S *	8/2007	Krieger et al.	D13/110
D551,166 S *	9/2007	Dayan	D13/110

D551,170 S *	9/2007	Hussaini et al.	D13/144
D554,059 S *	10/2007	Hsu	D13/110
D561,688 S *	2/2008	Hussaini et al.	D13/110
D627,720 S *	11/2010	DuMelle et al.	D13/110
D633,042 S *	2/2011	Houghton et al.	D13/110

* cited by examiner

Primary Examiner — Derrick Holland

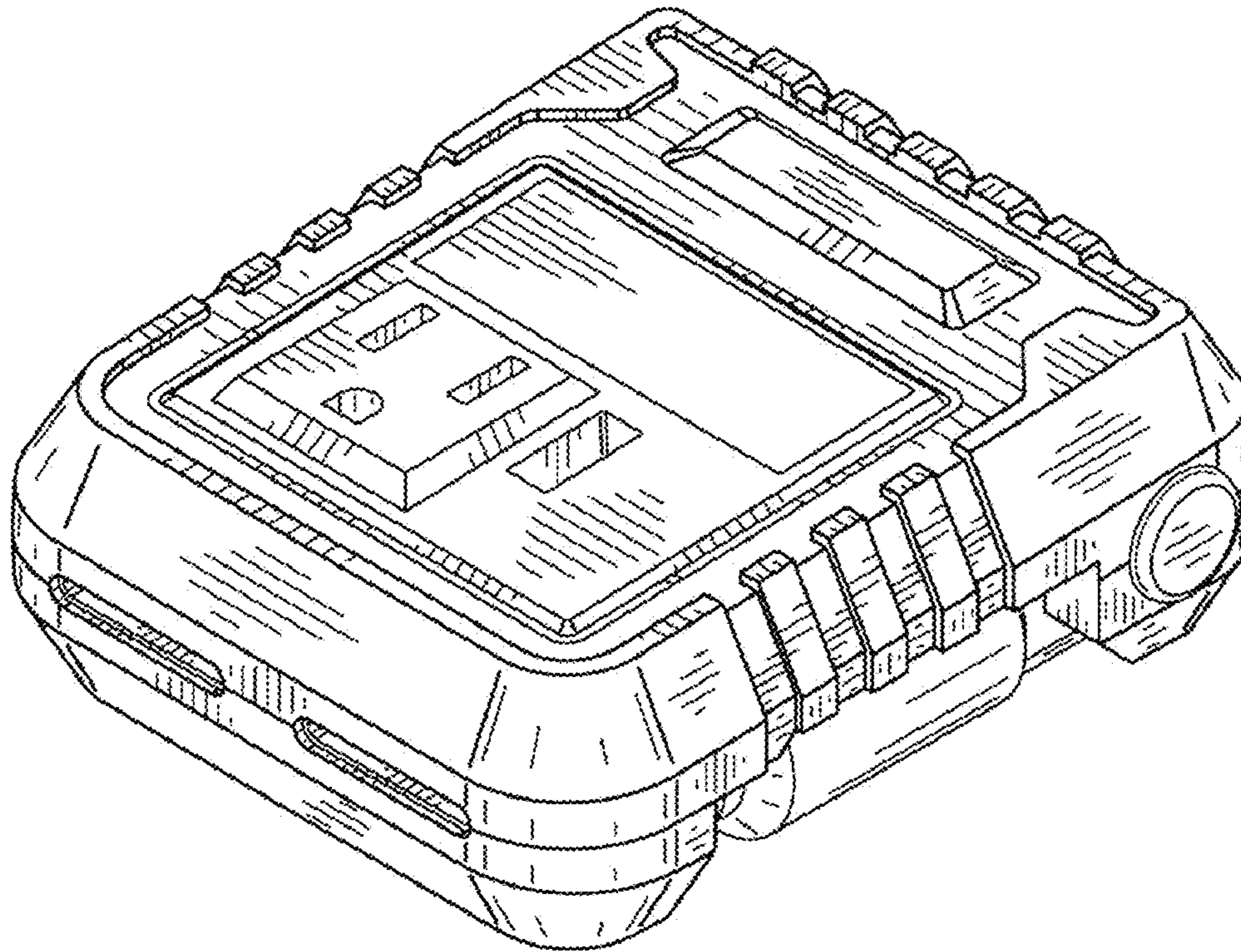
(57) **CLAIM**

I claim the ornamental design for a power inverter, as shown and described.

DESCRIPTION

FIG. 1 is a top perspective view of the power inverter showing my new design.
 FIG. 2 is a bottom perspective view thereof.
 FIG. 3 is a top view thereof.
 FIG. 4 is a bottom view thereof.
 FIG. 5 is a left side view thereof.
 FIG. 6 is a right side view thereof.
 FIG. 7 is a front view thereof.
 FIG. 8 is a back view thereof.
 FIG. 9 is a top perspective view with adapter extended; and,
 FIG. 10 is a bottom perspective view with adapter extended.

1 Claim, 5 Drawing Sheets



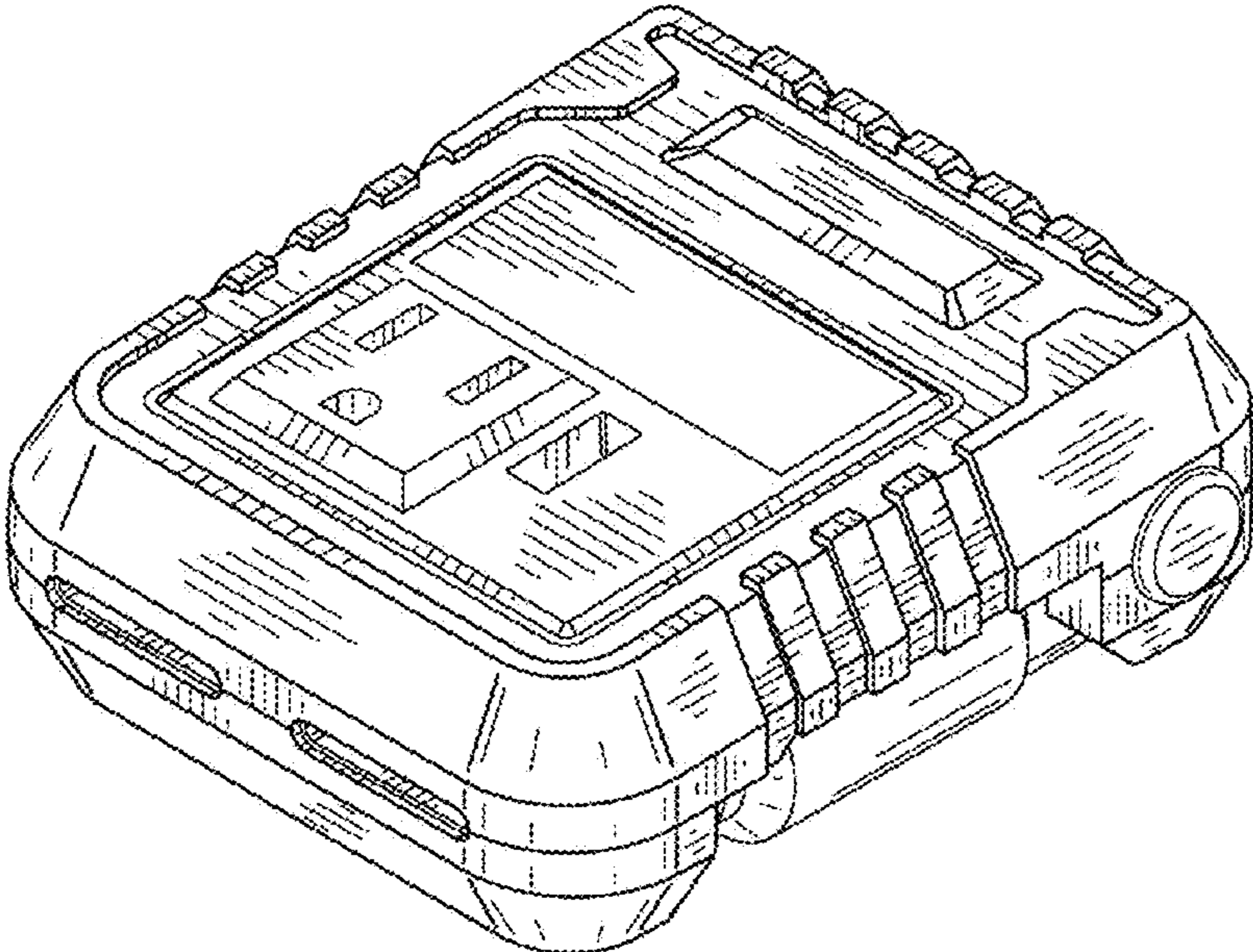


FIG. 1

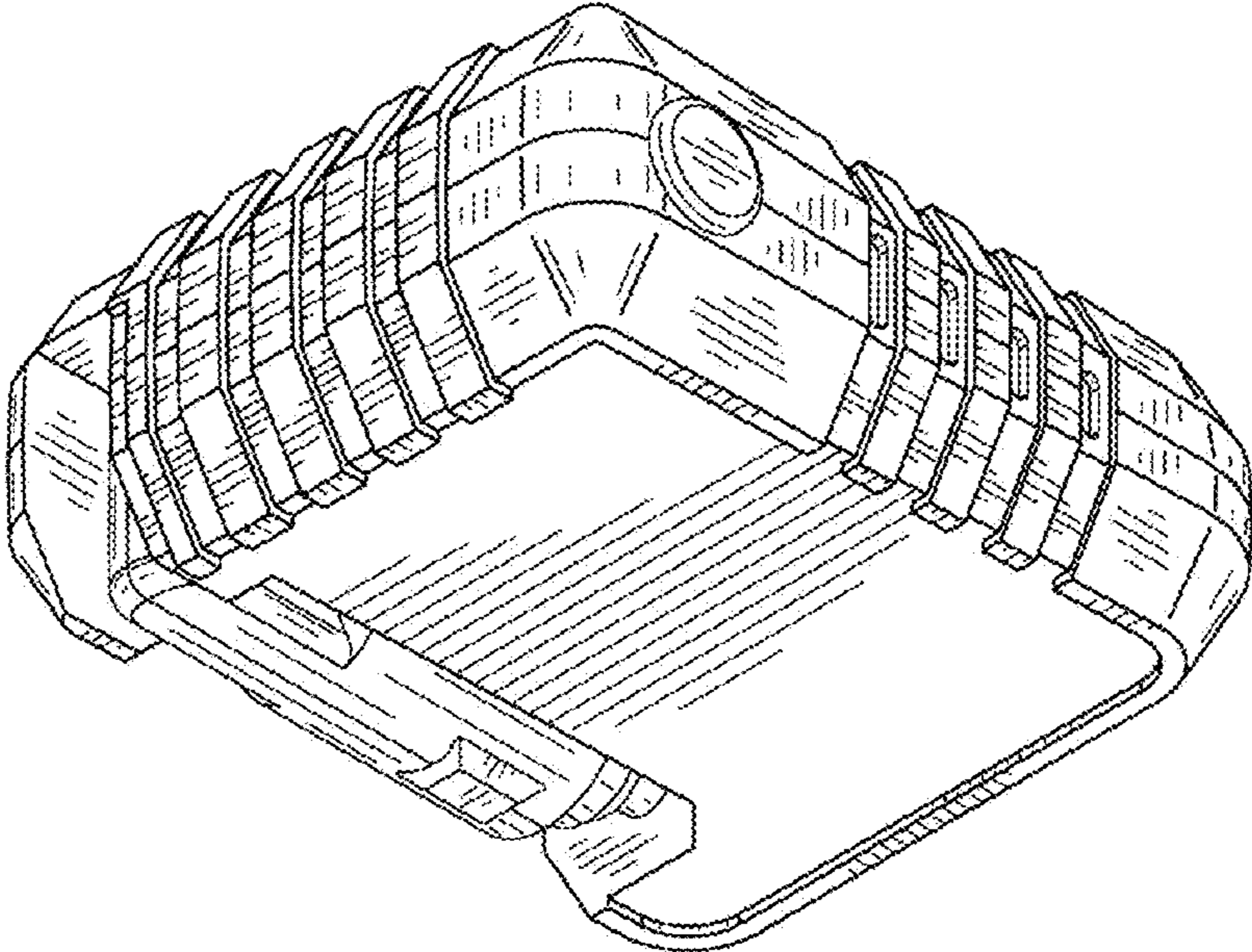


FIG. 2

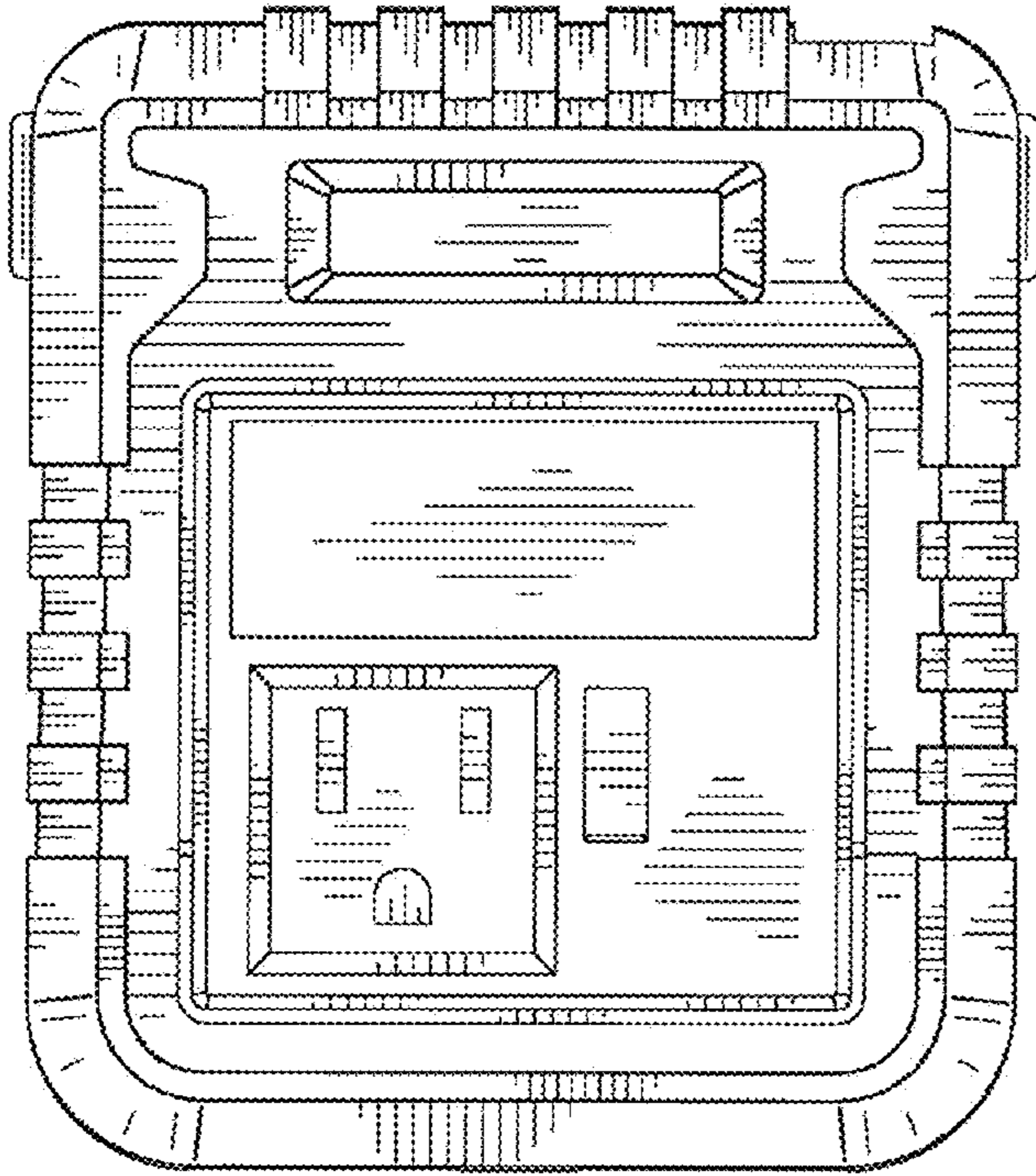


FIG. 3

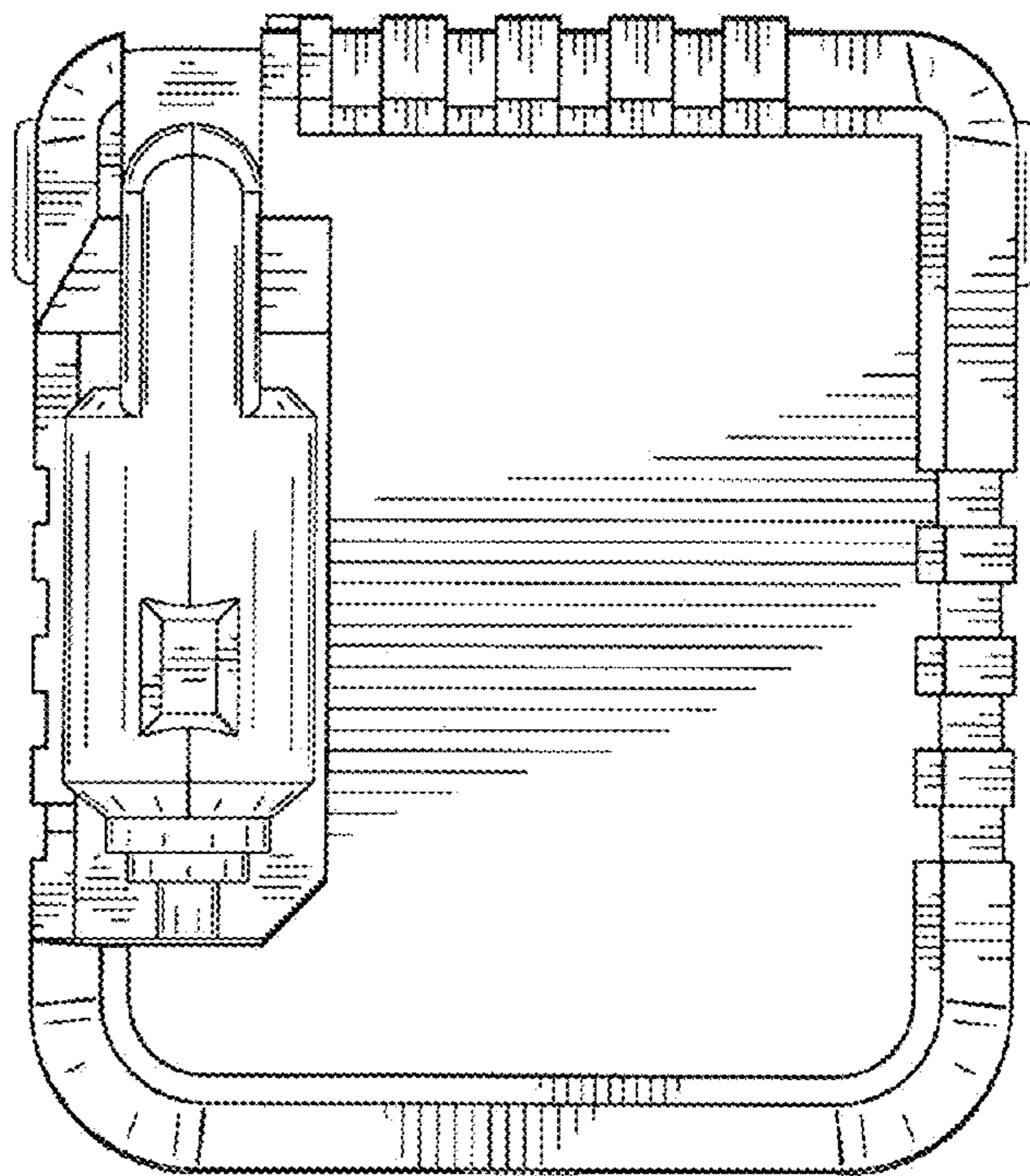


FIG. 4

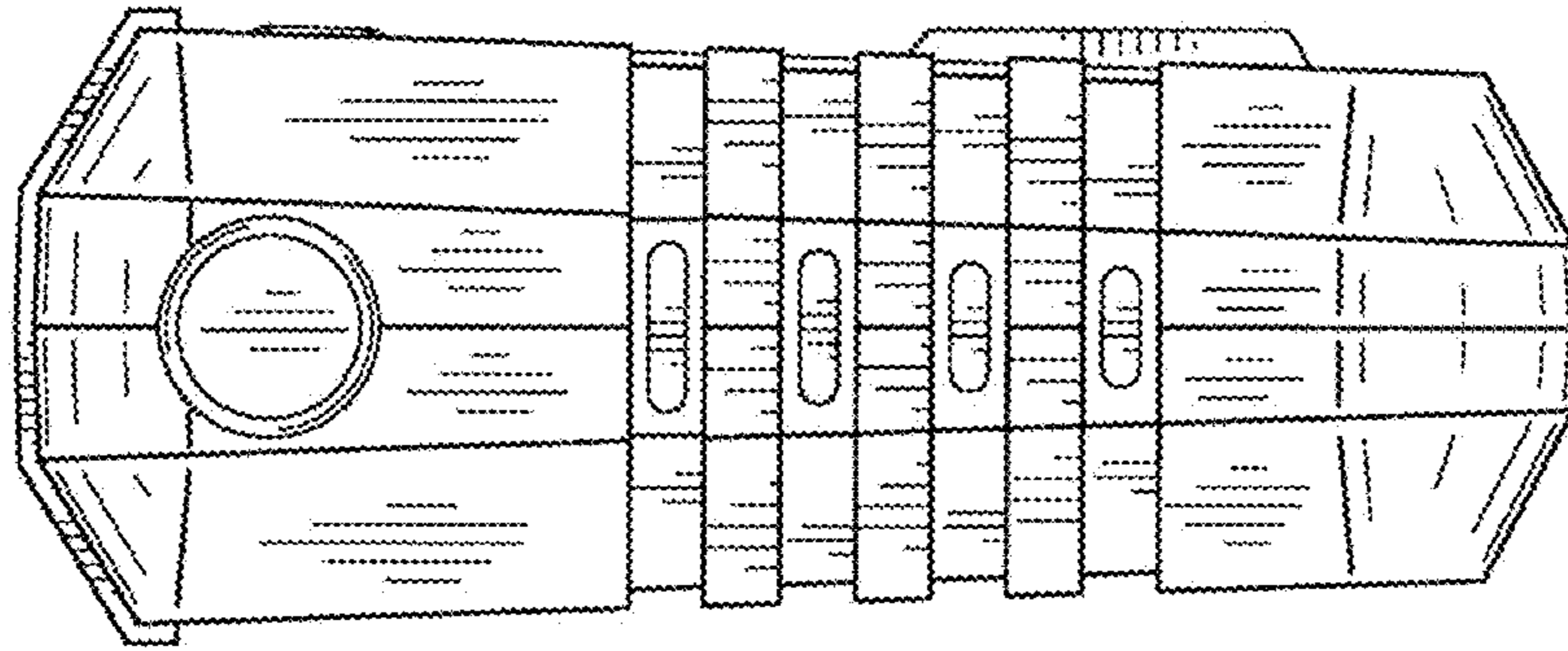


FIG. 5

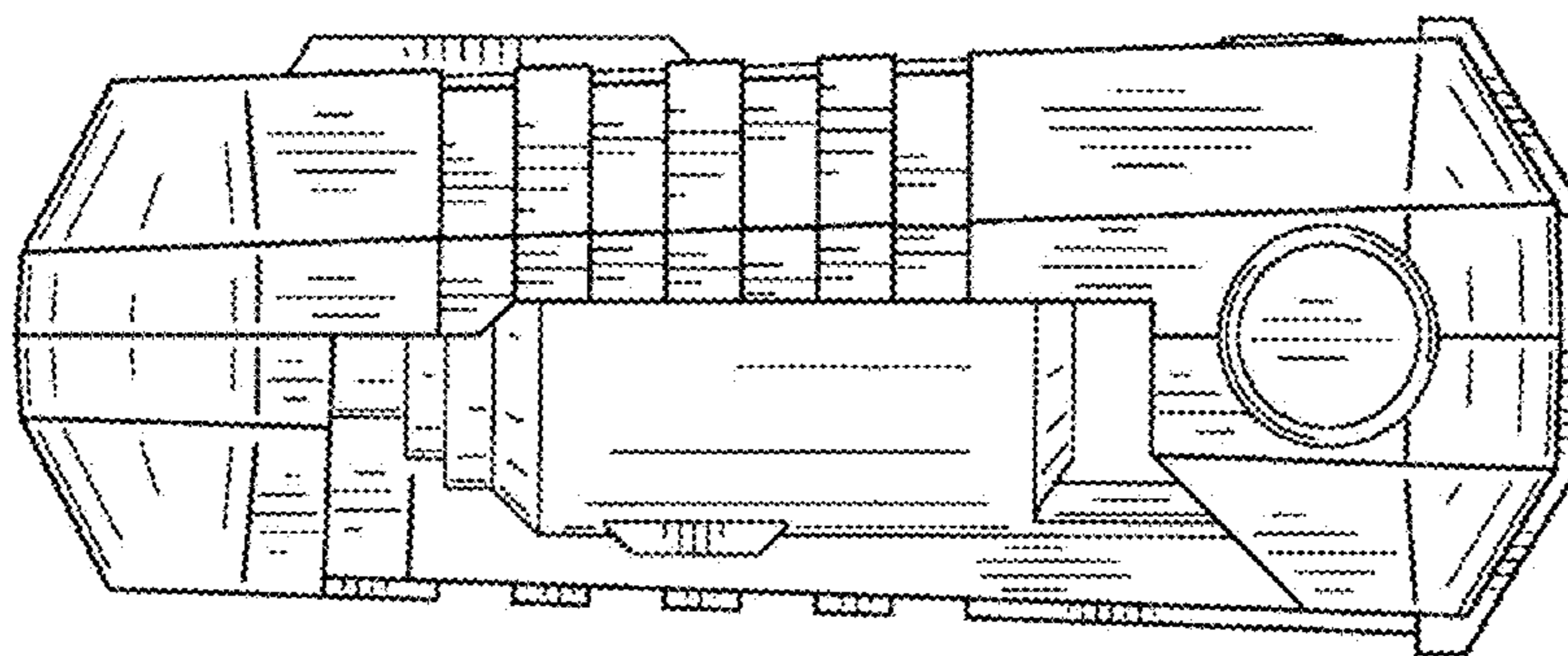


FIG. 6

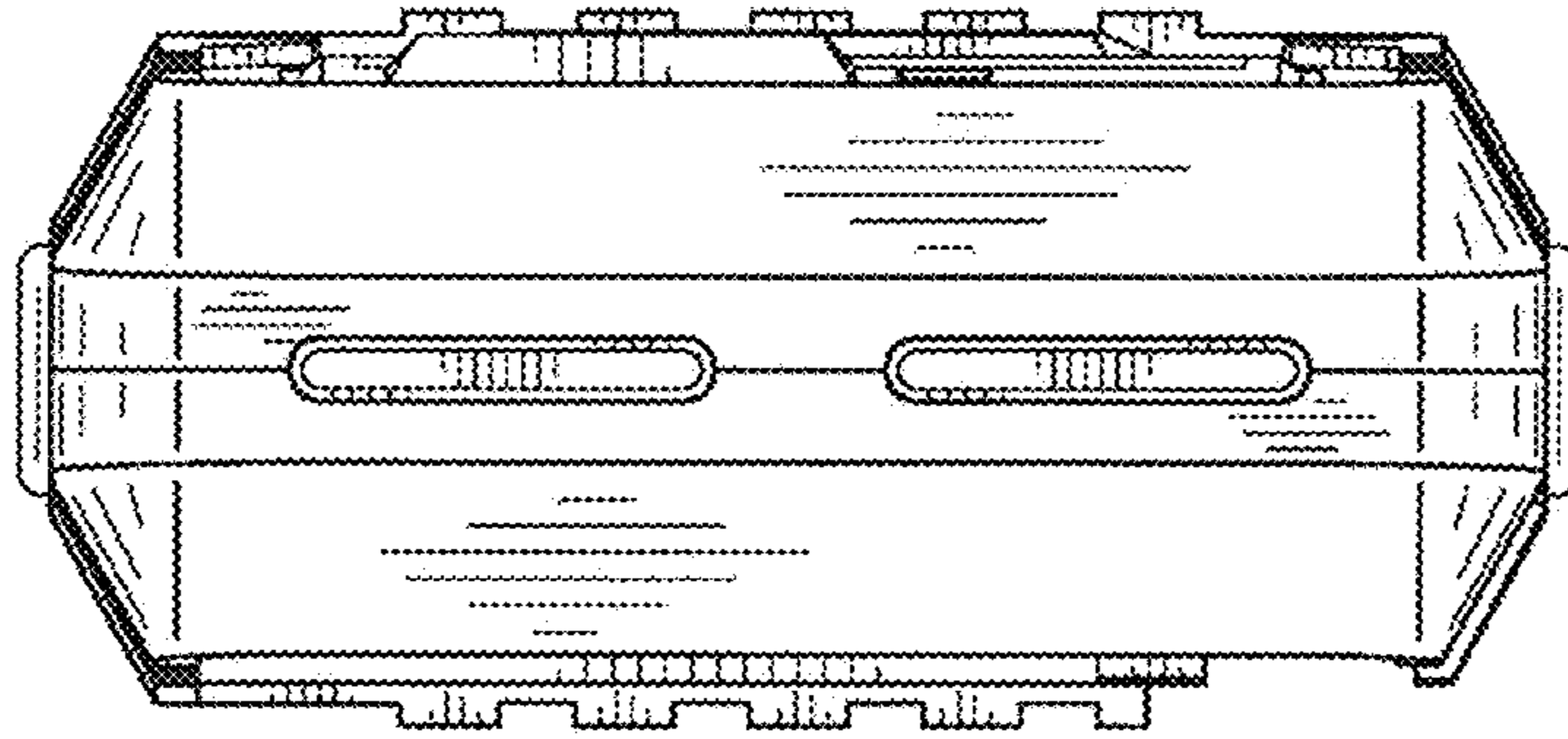


FIG. 7

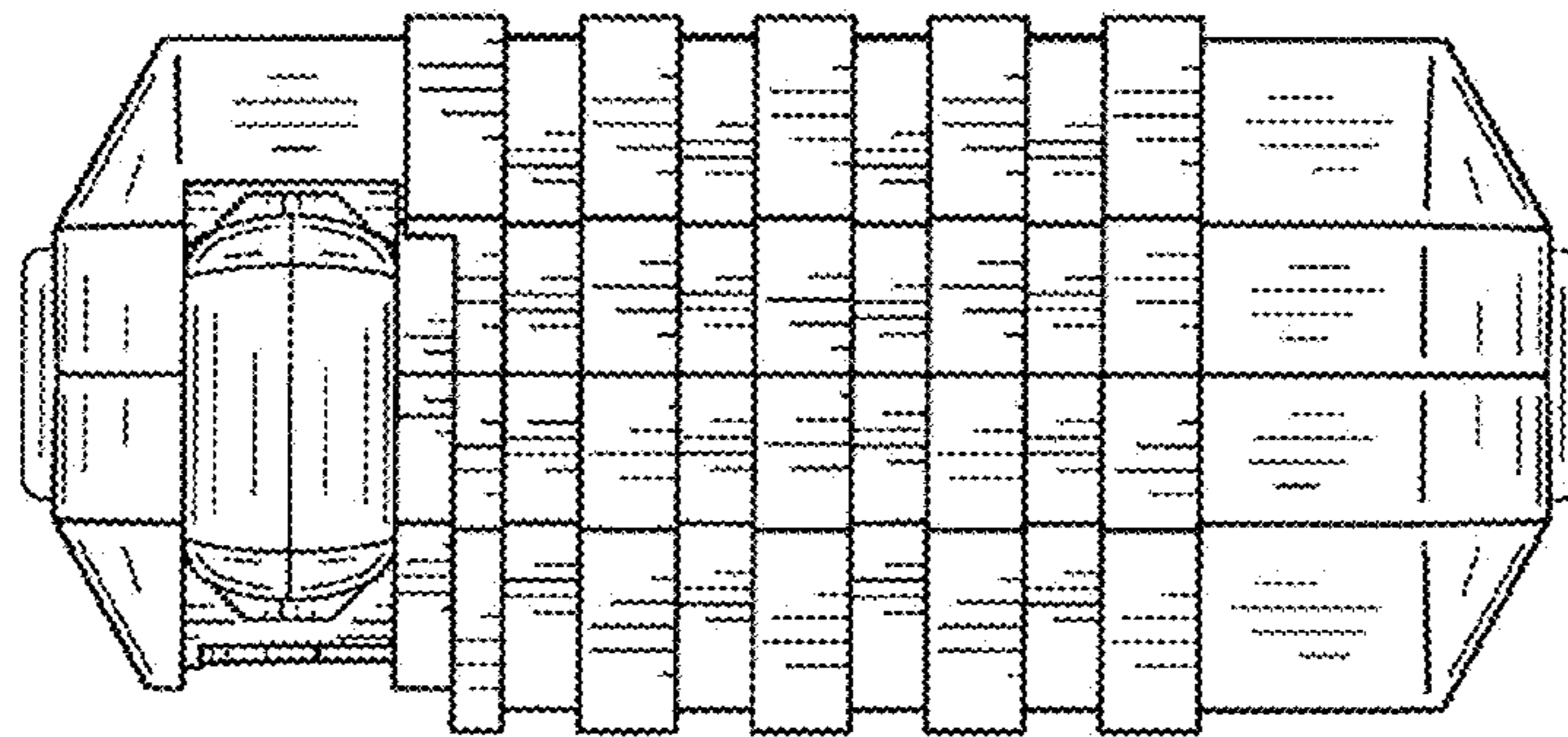


FIG. 8

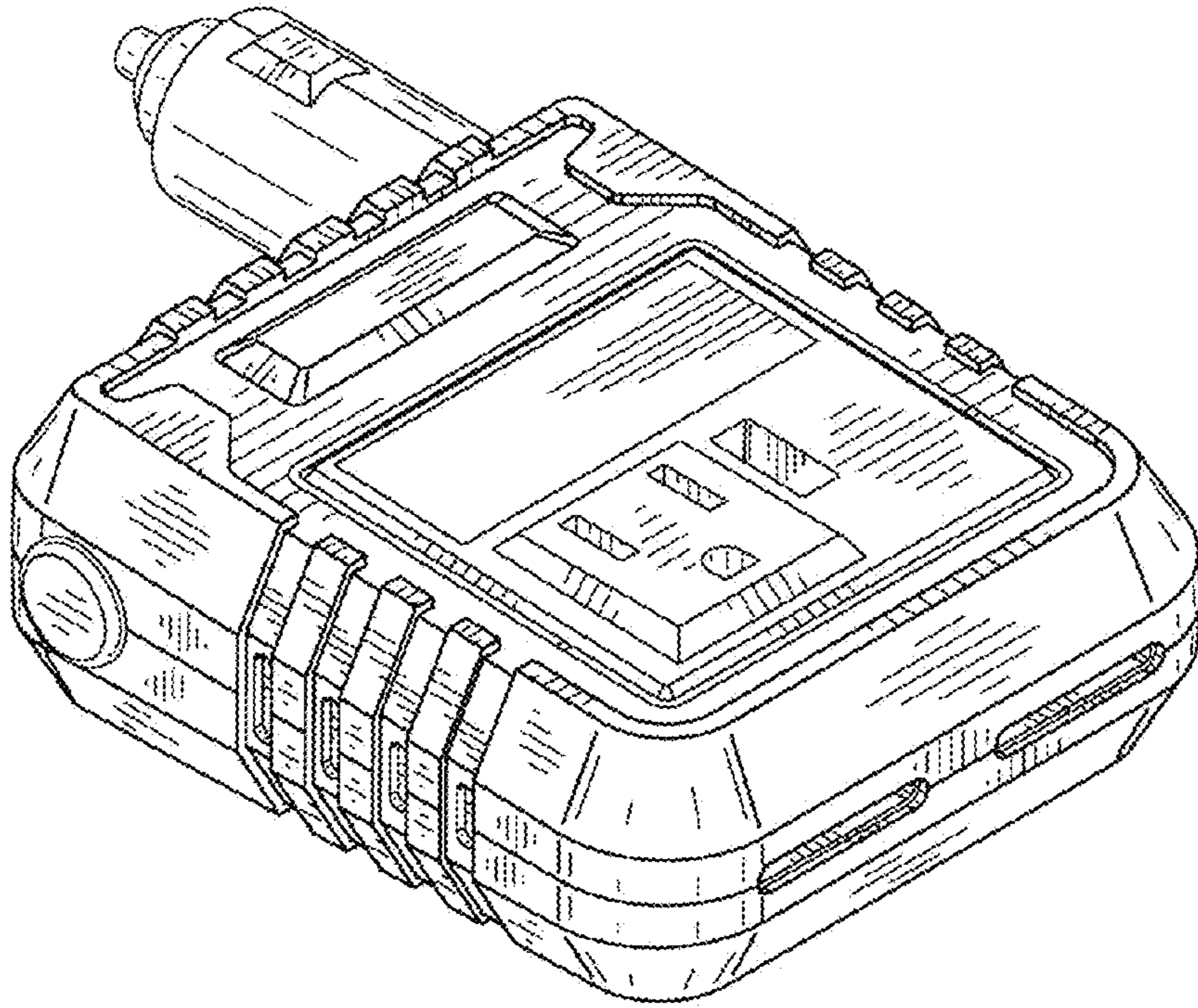


FIG. 9

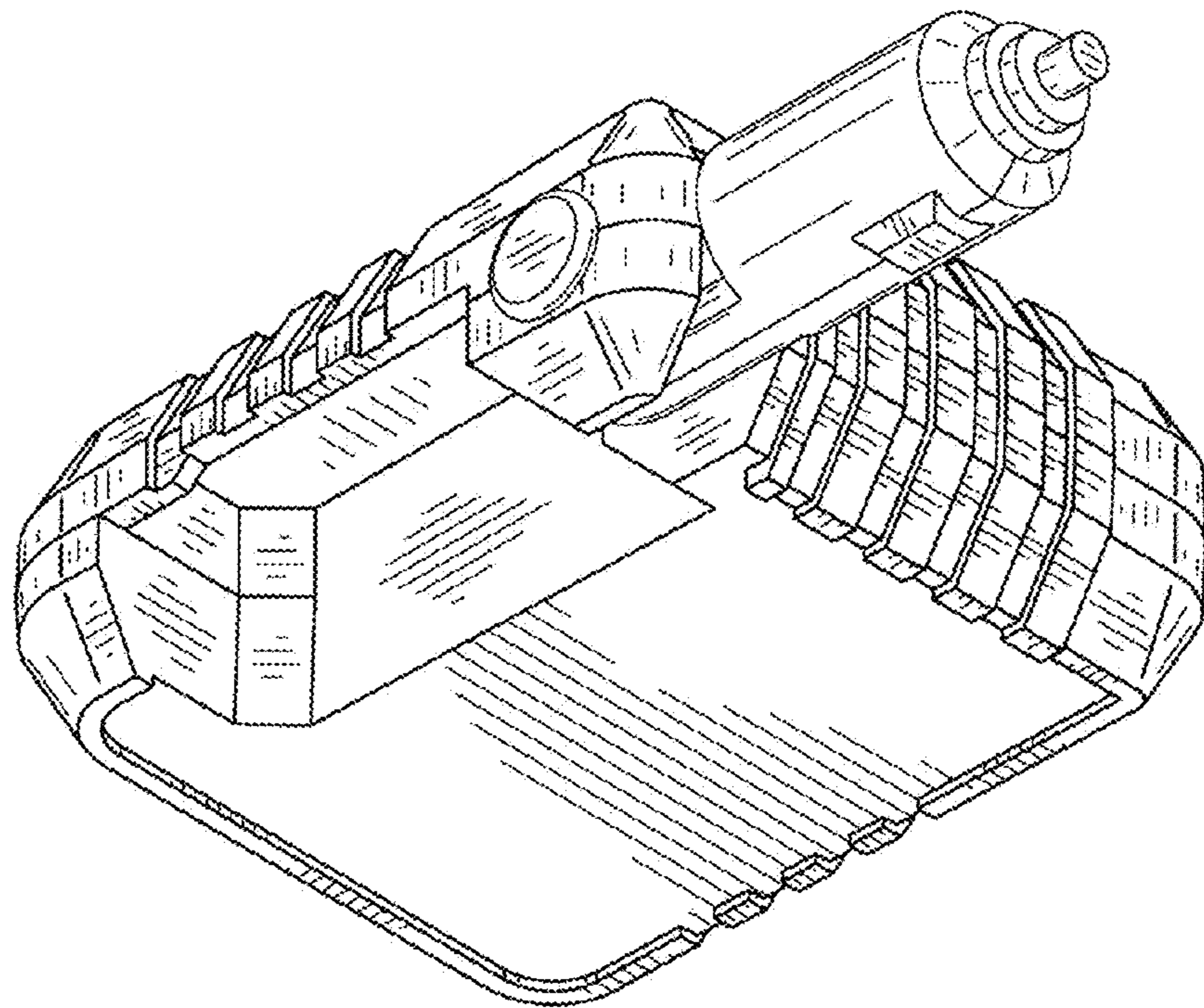


FIG. 10