



US00D705727S

(12) **United States Design Patent**
Hensel

(10) **Patent No.:** **US D705,727 S**

(45) **Date of Patent:** **** May 27, 2014**

(54) **ELECTRICAL APPARATUS**

(71) Applicant: **SMA Solar Technology AG**, Niestetal (DE)

(72) Inventor: **Enrico Hensel**, Vellmar (DE)

(73) Assignee: **SMA Solar Technology AG**, Niestetal (DE)

(**) Term: **14 Years**

(21) Appl. No.: **29/455,604**

(22) Filed: **May 22, 2013**

(30) **Foreign Application Priority Data**

Nov. 22, 2012 (EP) 002140855-0006

(51) **LOC (10) Cl.** **13-02**

(52) **U.S. Cl.**
USPC **D13/110; D13/102**

(58) **Field of Classification Search**
USPC D13/110, 112, 118, 123, 133, 147, 156,
D13/184, 199; D14/167, 188, 265, 354,
D14/355, 496, 498, 499, 502; 174/50, 53;
361/600, 601, 622, 679, 683; 363/141,
363/144, 146, 147; 720/600, 601, 619
See application file for complete search history.

(56) **References Cited**

U.S. PATENT DOCUMENTS

D303,651 S * 9/1989 Strumor D13/102
D365,327 S * 12/1995 Reed et al. D13/147

D490,051 S * 5/2004 Kikumoto D13/102
D516,501 S * 3/2006 Ware, Jr. D13/102
D559,777 S * 1/2008 Hu et al. D13/110
D601,957 S * 10/2009 Blake et al. D13/110
D680,060 S * 4/2013 Gago et al. D13/102

* cited by examiner

Primary Examiner — Derrick Holland

(74) *Attorney, Agent, or Firm* — Eschweiler & Associates, LLC

(57) **CLAIM**

The ornamental design for an electrical apparatus, as shown and described.

DESCRIPTION

FIG. 1 illustrates a top front and left side perspective view of an electrical apparatus according to the present invention.

FIG. 2 illustrates a left side elevation view of the electrical apparatus of FIG. 1.

FIG. 3 illustrates a right side elevation view of the electrical apparatus of FIG. 1.

FIG. 4 illustrates a back elevation view of the electrical apparatus of FIG. 1.

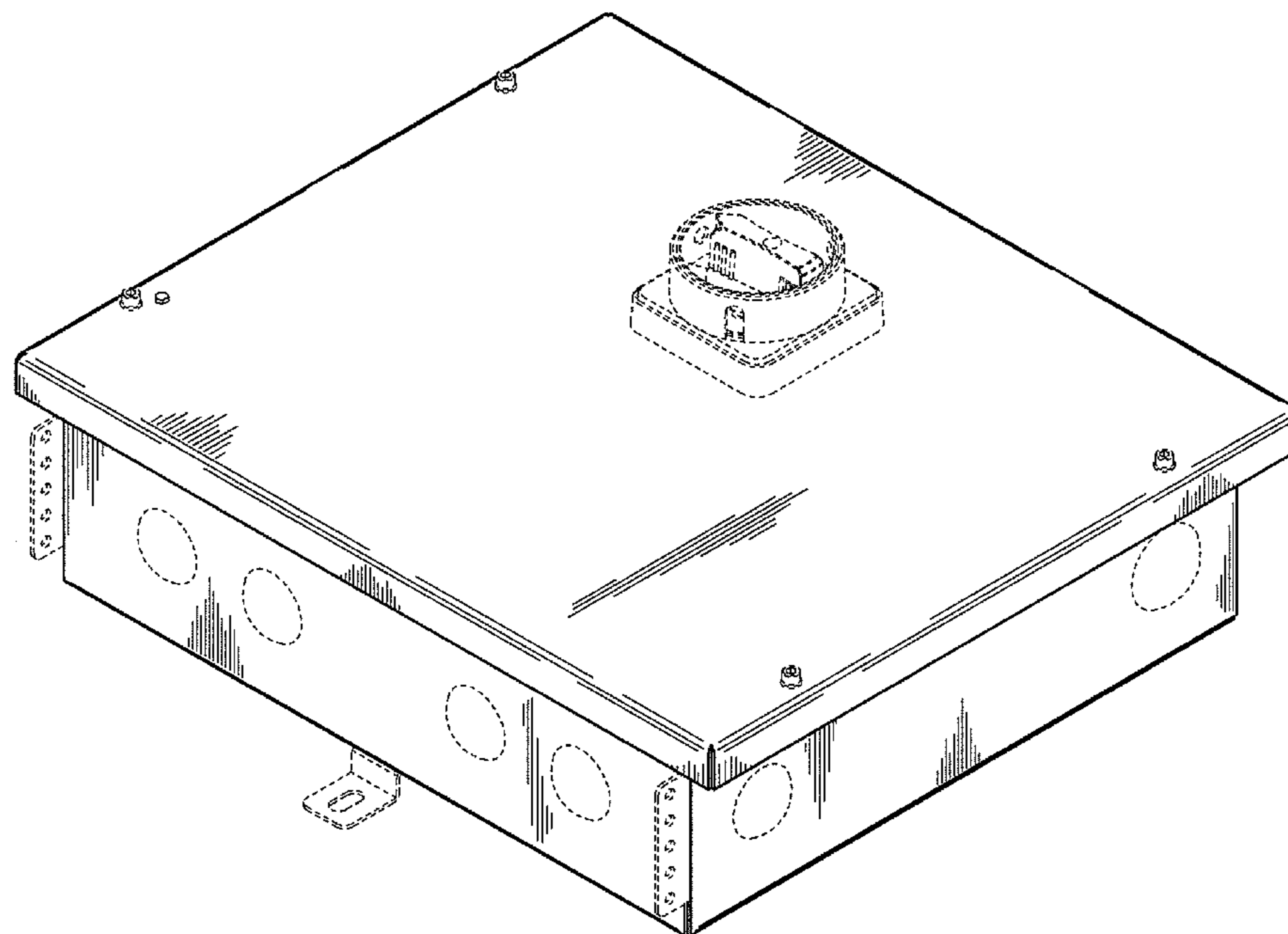
FIG. 5 illustrates a front elevation view of the electrical apparatus of FIG. 1.

FIG. 6 illustrates a top plan view of the electrical apparatus of FIG. 1; and,

FIG. 7 illustrates a bottom plan view of the electrical apparatus of FIG. 1.

The broken lines shown represent unclaimed subject matter and form no part of the claimed design.

1 Claim, 5 Drawing Sheets



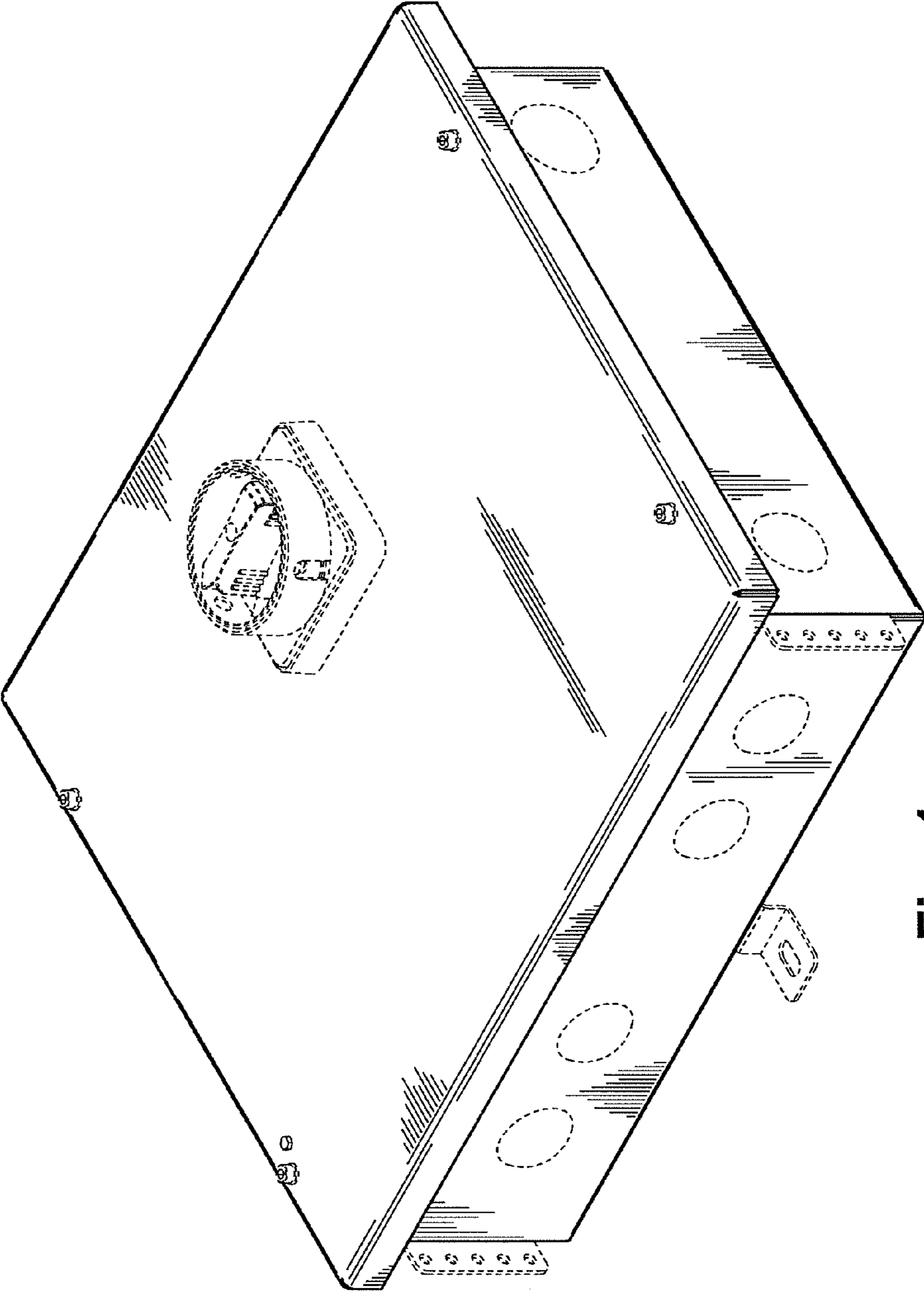


Fig. 1

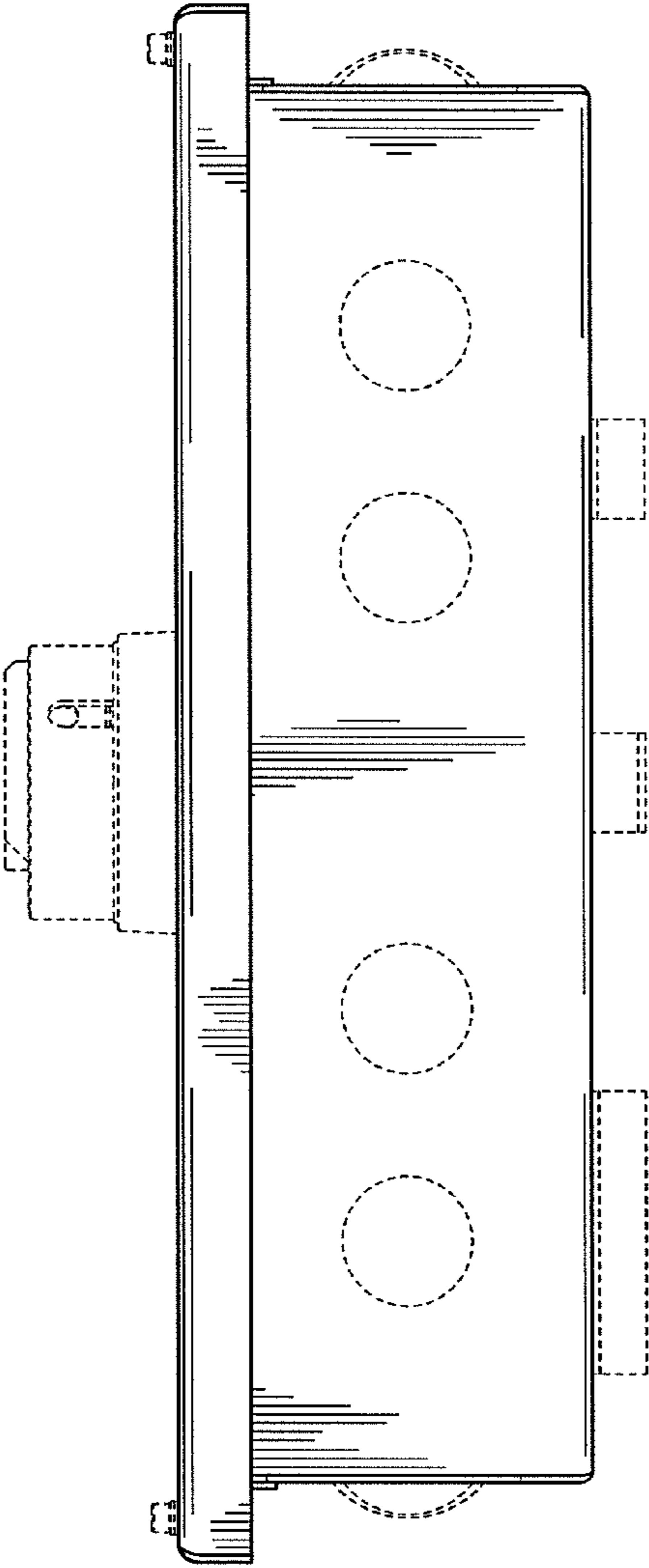


Fig. 2

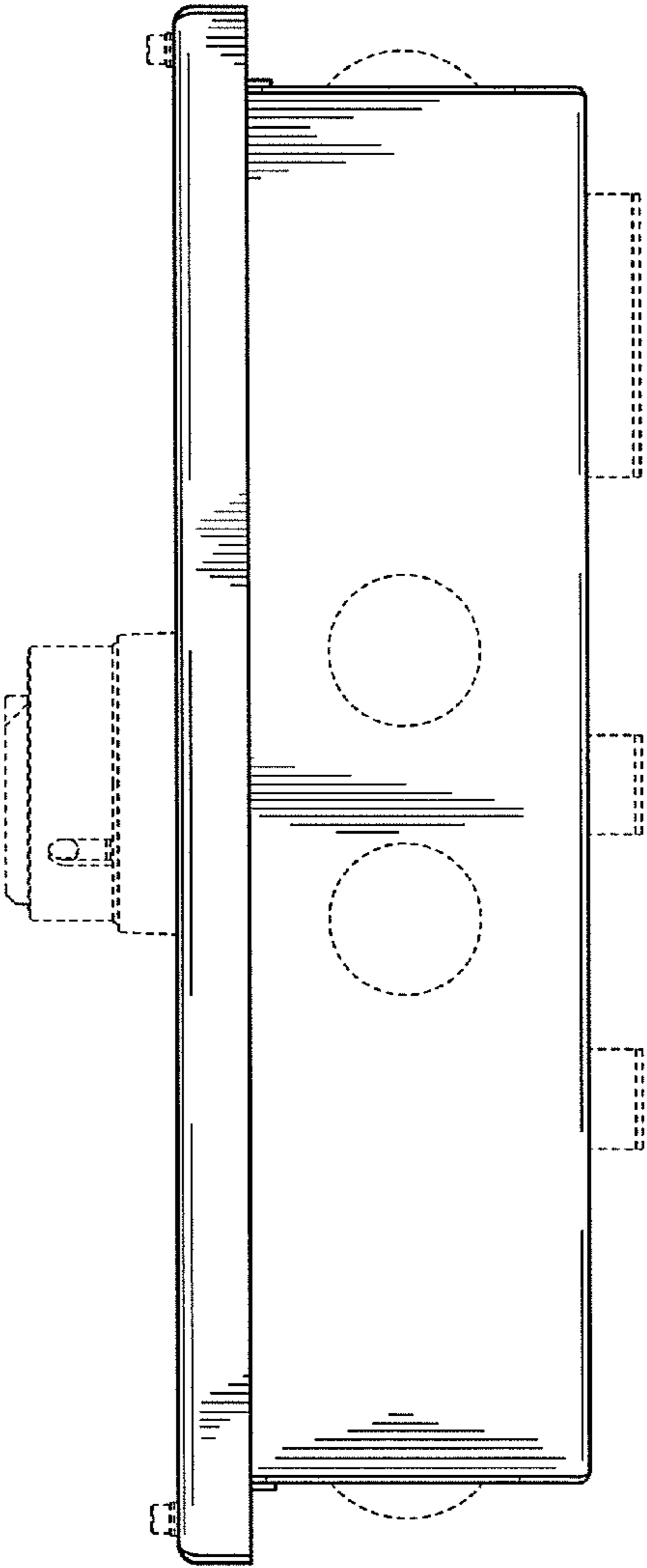


Fig. 3

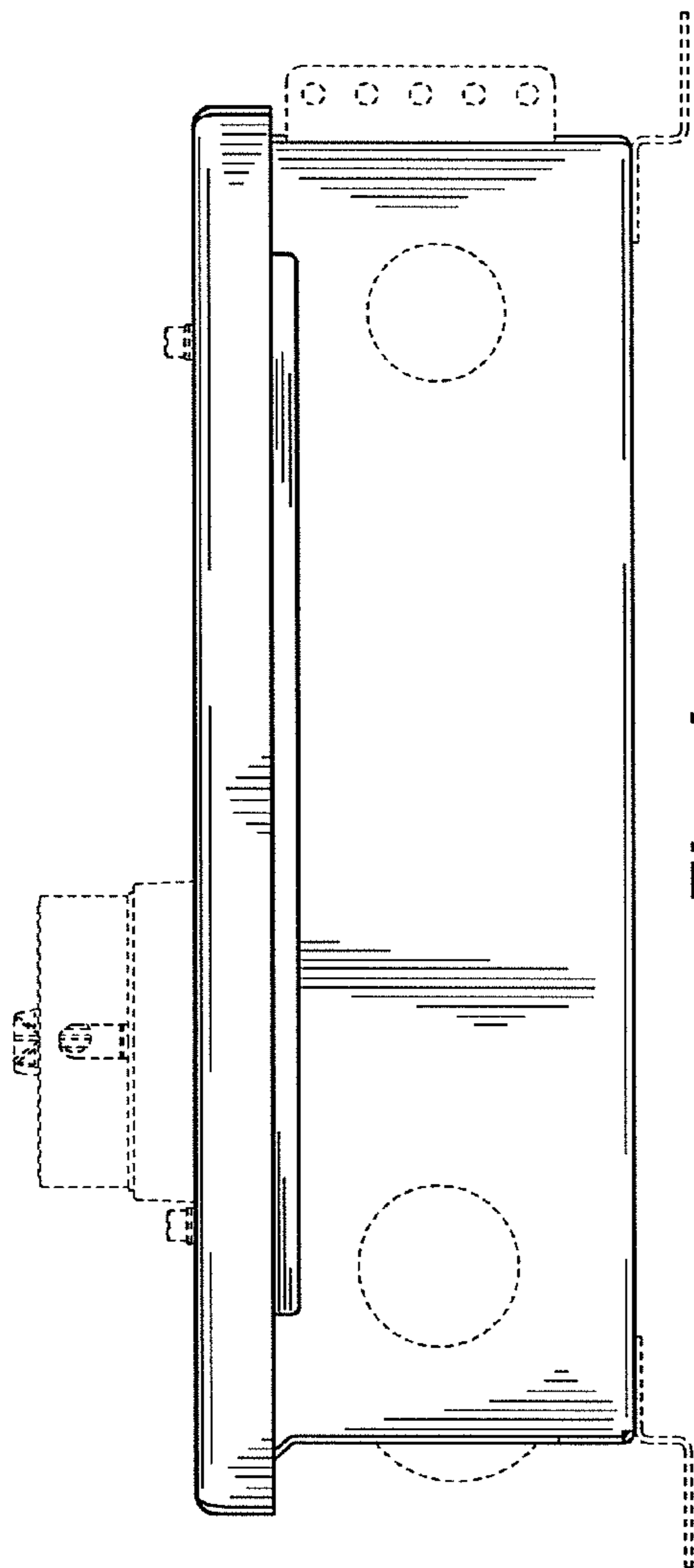


Fig. 4

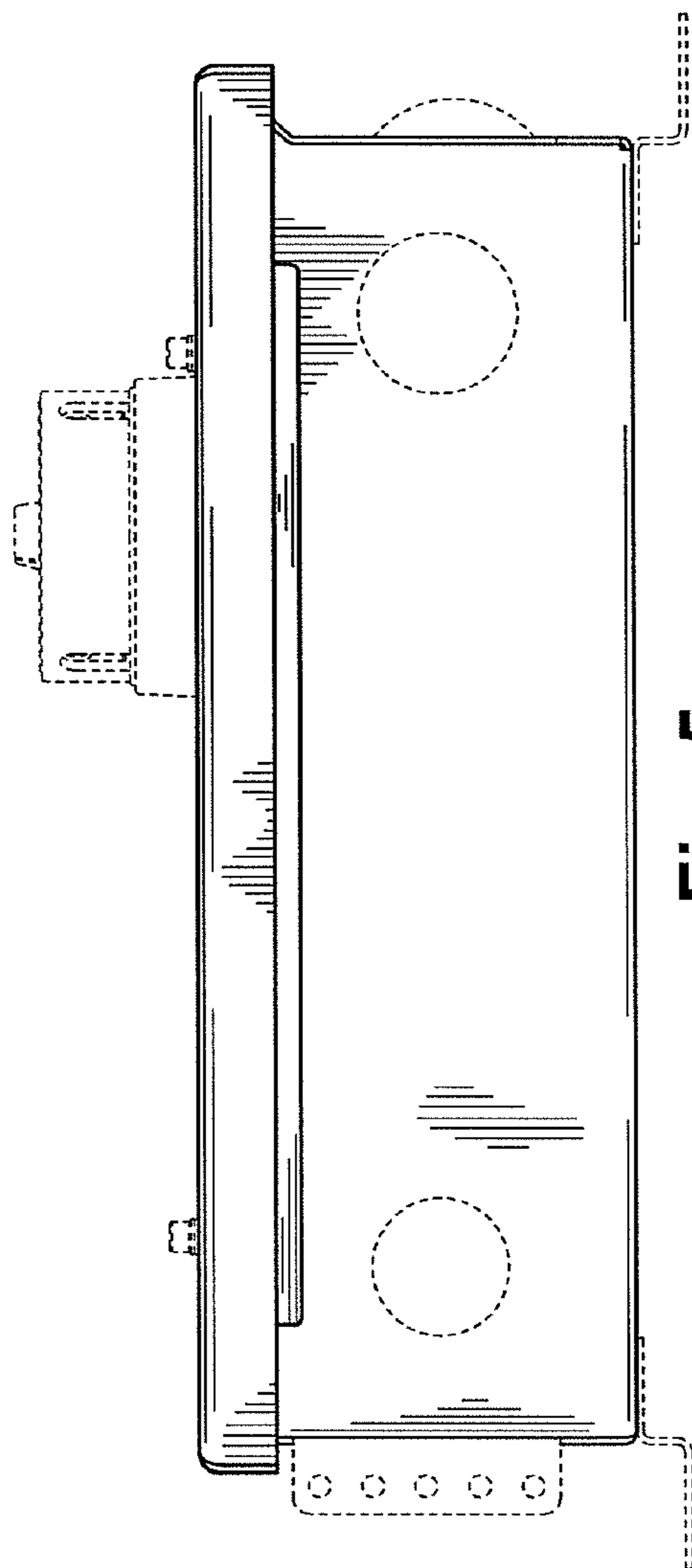


Fig. 5

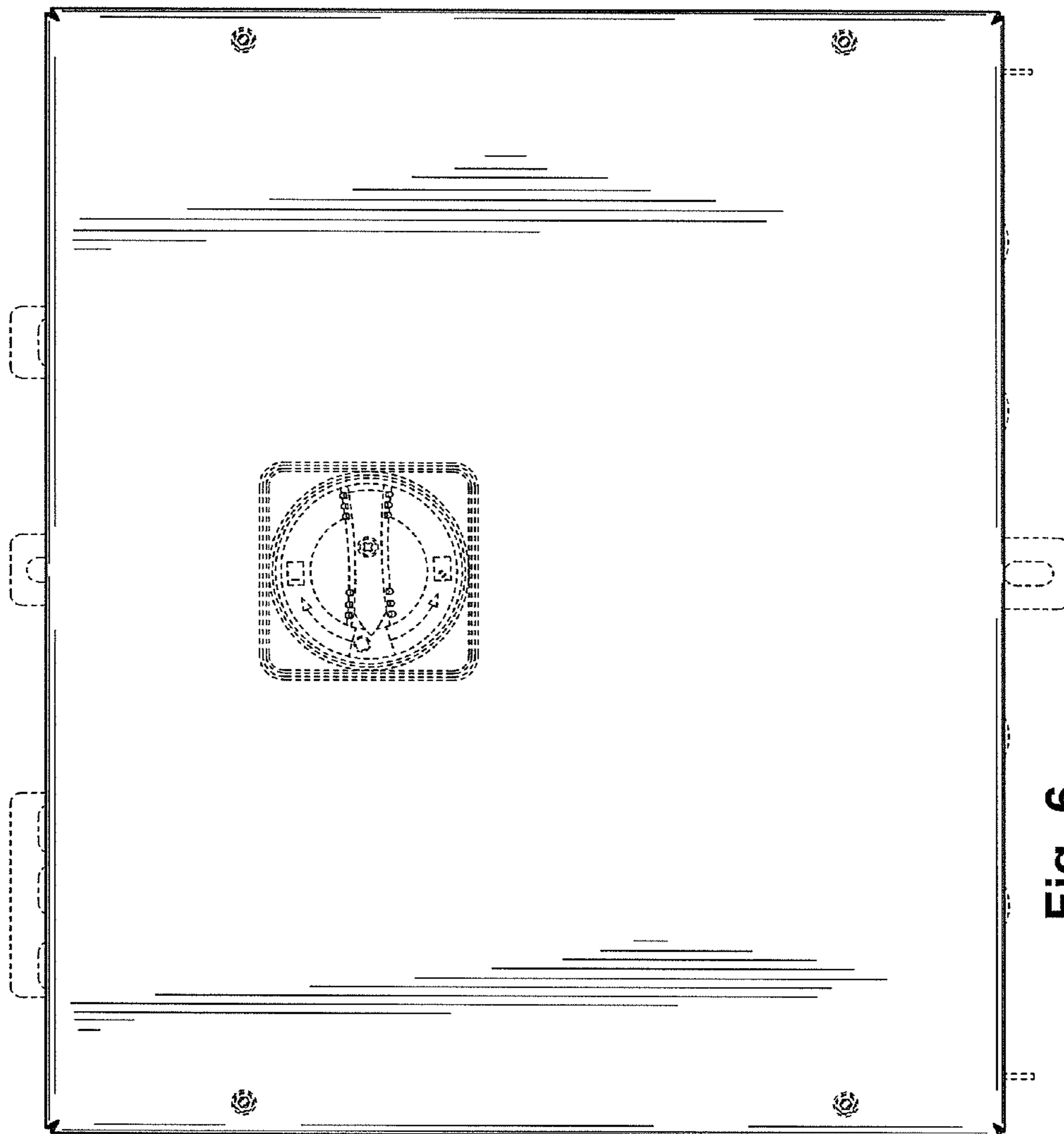


Fig. 6

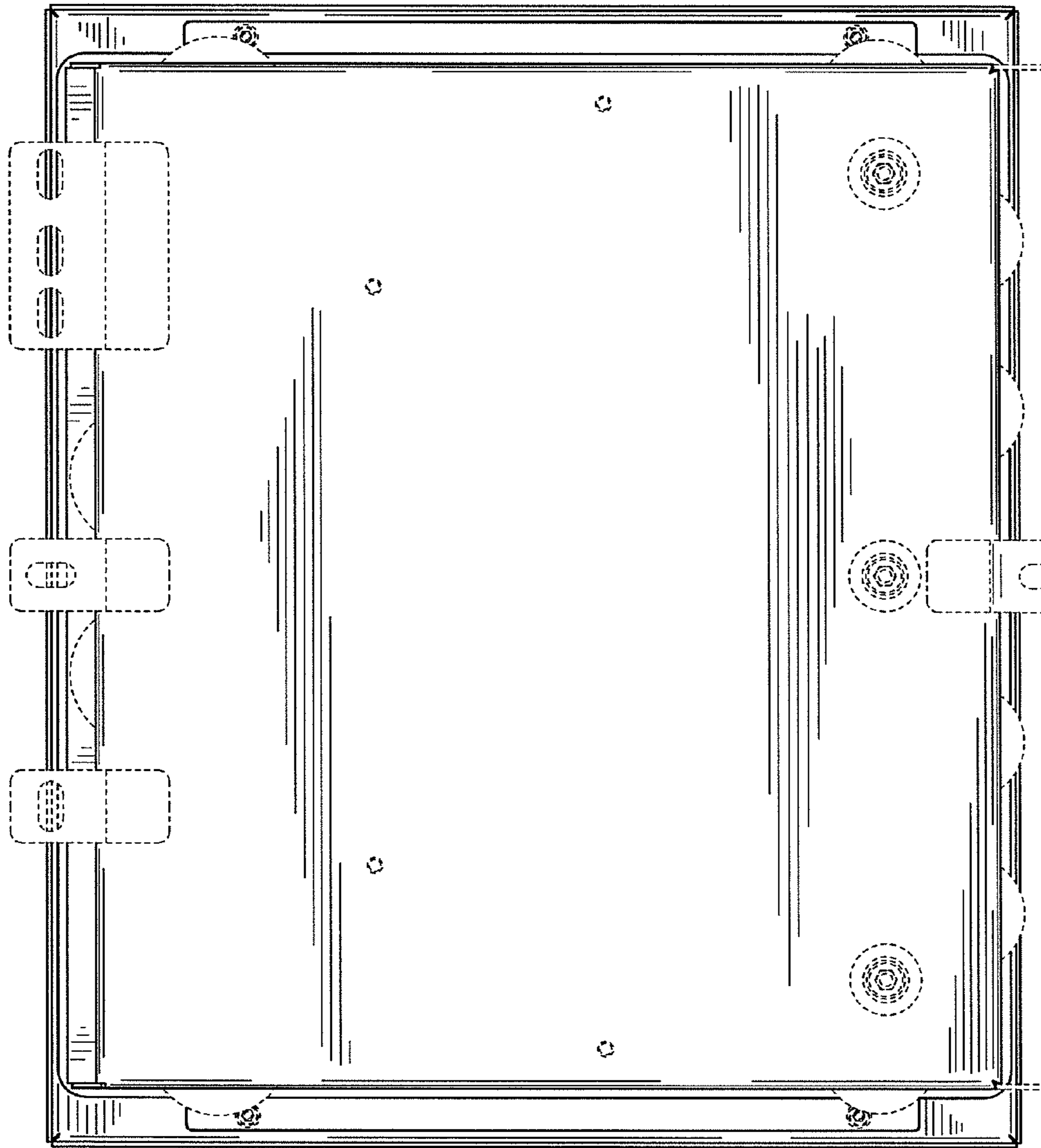


Fig. 7