



US00D705726S

(12) **United States Design Patent**
Lee et al.

(10) **Patent No.:** **US D705,726 S**
(45) **Date of Patent:** **** May 27, 2014**

(54) **ADAPTER**

(75) Inventors: **Ok-Keun Lee**, Kyunggi-do (KR); **Jin Kwon**, Seoul (KR)

(73) Assignee: **Samsung Electronics Co., Ltd.**, Suwon, Kyunggi-do (KR)

(**) Term: **14 Years**

(21) Appl. No.: **29/349,425**

(22) Filed: **Apr. 1, 2010**

(51) **LOC (10) Cl.** **13-02**

(52) **U.S. Cl.**
USPC **D13/110**

(58) **Field of Classification Search**
USPC D14/432–435, 435.1, 436–439,
D14/356–358, 480.1–480.7, 483, 484.1,
D14/240; D13/107, 108, 110, 118, 123,
D13/133, 147, 154; 439/131, 500, 501, 445,
439/446, 296, 284, 286, 288; 361/679.4,
361/679.41, 679.44

See application file for complete search history.

(56) **References Cited**

U.S. PATENT DOCUMENTS

3,360,152	A *	12/1967	Leers	220/4.24
D264,347	S *	5/1982	Peroni	D18/11
D299,641	S *	1/1989	Rossum, Jr.	D13/133
D312,251	S *	11/1990	Bleck et al.	D14/435
5,019,767	A *	5/1991	Shirai et al.	320/112
5,258,888	A *	11/1993	Korinsky	361/704
D346,607	S *	5/1994	Bhargava et al.	D14/242
5,347,088	A *	9/1994	Marsh et al.	174/50
D361,989	S *	9/1995	Cox	D14/433
5,567,176	A *	10/1996	Chiou	439/500
D375,483	S *	11/1996	Tashiro	D13/110
D383,732	S *	9/1997	Haley et al.	D14/435
D389,121	S *	1/1998	Kuprewicz et al.	D13/133
D400,513	S *	11/1998	Seirio	D13/184
D402,956	S *	12/1998	Lindahl	D13/107

5,880,401	A *	3/1999	Leischner et al.	174/17 CT
5,926,944	A *	7/1999	Smith et al.	29/602.1
6,030,247	A *	2/2000	Sasahara	439/332
D427,193	S *	6/2000	Fedele	D14/348
D430,873	S *	9/2000	Parker	D14/357
D461,805	S *	8/2002	Tanaka	D14/356
D469,402	S *	1/2003	Bukiri	D13/137.1
D470,848	S *	2/2003	Morooka	D14/433
D479,823	S *	9/2003	Andre et al.	D13/110
6,776,650	B2 *	8/2004	Cheng et al.	439/485
D503,679	S *	4/2005	Andre et al.	D13/110
6,881,069	B2 *	4/2005	Chen	439/13
6,893,274	B2 *	5/2005	Chen et al.	439/106
D510,930	S *	10/2005	Deguchi	D14/240
D511,343	S *	11/2005	Solomon et al.	D14/356
D525,586	S *	7/2006	Blake	D13/123
7,109,413	B2 *	9/2006	Chen	174/50
7,241,169	B1 *	7/2007	Yang et al.	439/518
D548,178	S *	8/2007	Suk et al.	D13/108
D552,034	S *	10/2007	Hobson et al.	D13/133
7,300,302	B2 *	11/2007	Kajiwara et al.	439/485
D559,178	S *	1/2008	Ashida et al.	D13/110
D579,409	S *	10/2008	Burak et al.	D13/110

(Continued)

Primary Examiner — Deanna L Pratt

(74) *Attorney, Agent, or Firm* — Flynn, Thiel, Boutell & Tanis, P.C.

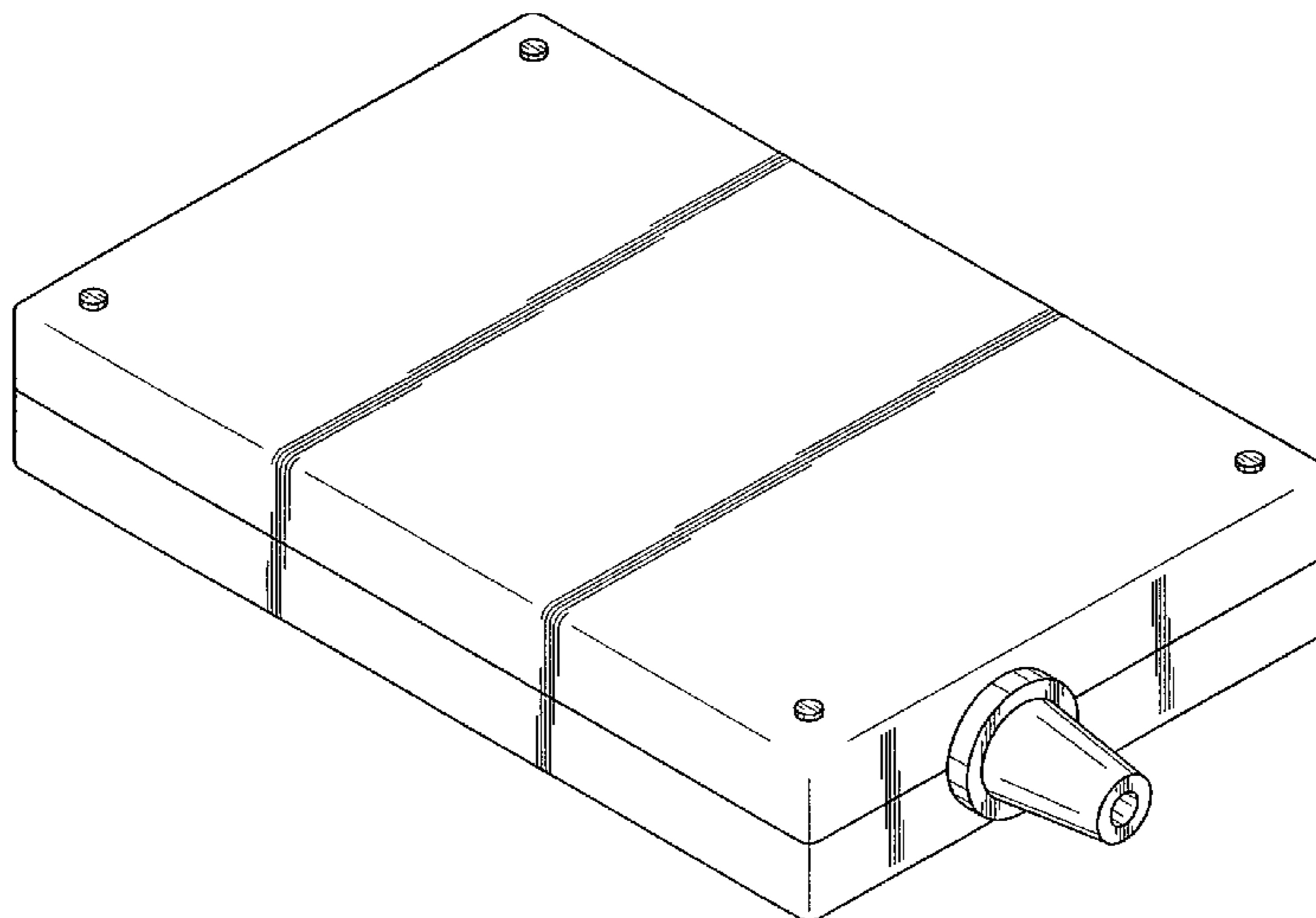
(57) **CLAIM**

The ornamental design for an adapter, as shown and described.

DESCRIPTION

FIG. 1 is a top front perspective view of an adapter showing our new design;
FIG. 2 is a front elevational view thereof;
FIG. 3 is a rear elevational view thereof;
FIG. 4 is a left side elevational view thereof;
FIG. 5 is a right side elevational view thereof;
FIG. 6 is a top plan view thereof; and,
FIG. 7 is a bottom plan view thereof.

1 Claim, 3 Drawing Sheets



US D705,726 S

Page 2

(56)

References Cited

U.S. PATENT DOCUMENTS

D587,267 S * 2/2009 Wang D14/356
D593,031 S * 5/2009 Miyatake et al. D13/110
D604,725 S * 11/2009 Chen D14/240

D606,542 S * 12/2009 Lu et al. D14/356
D618,238 S * 6/2010 Sin et al. D14/356
2004/0095713 A1 * 5/2004 Chuang 361/679
2008/0144270 A1 * 6/2008 Dal Porto et al. 361/684

* cited by examiner

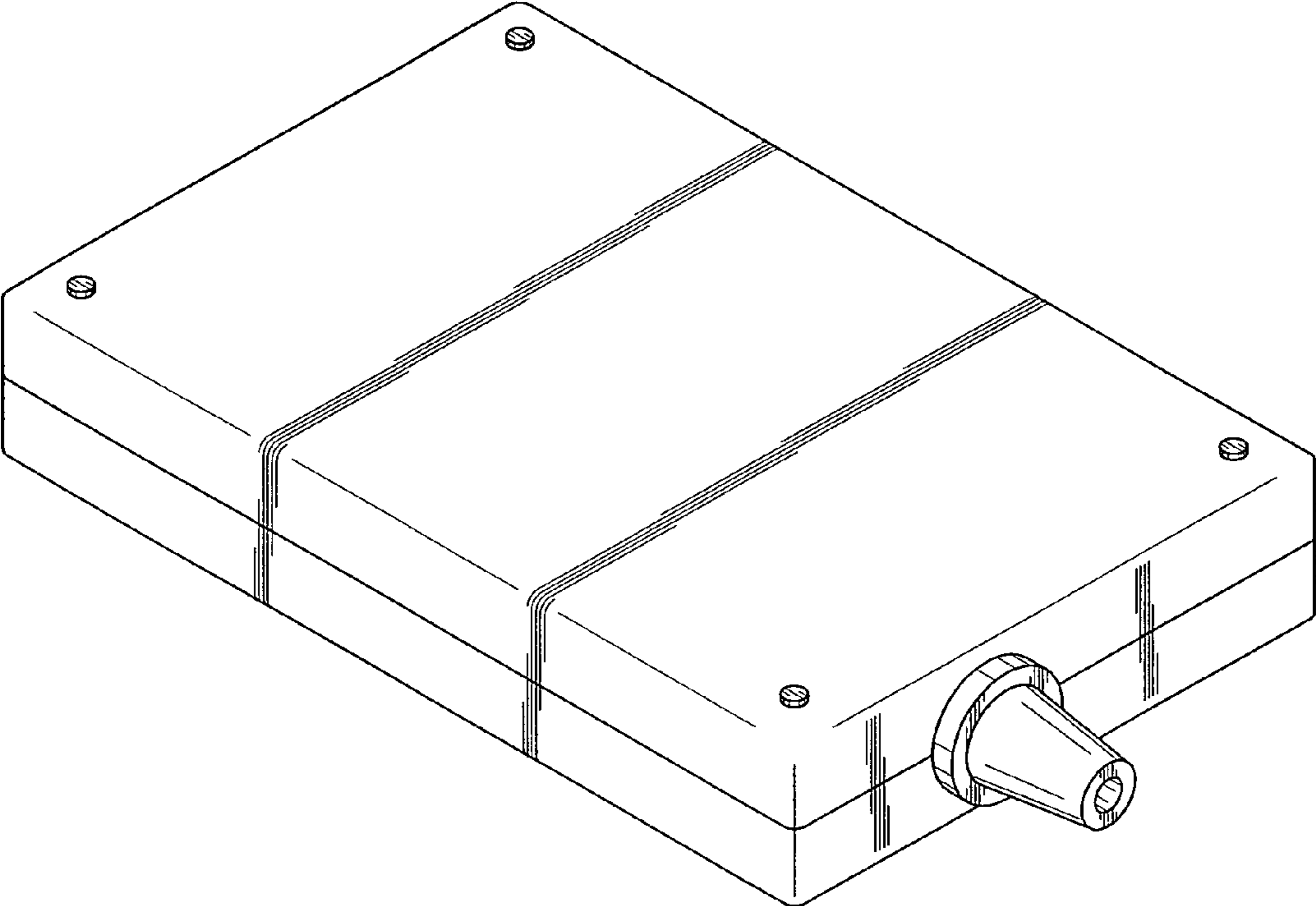


FIG. 1

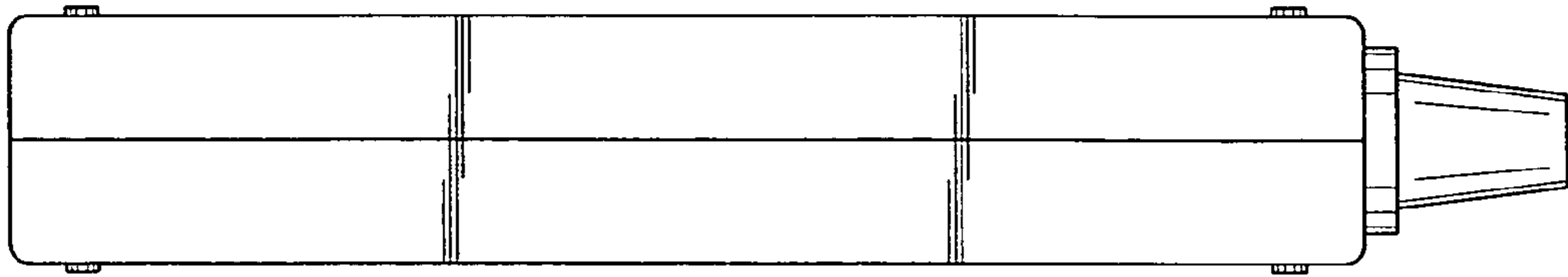


FIG. 2

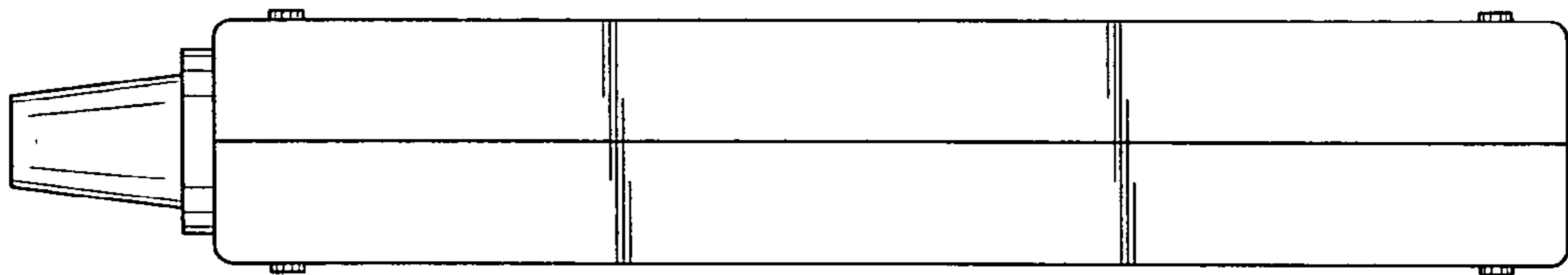


FIG. 3

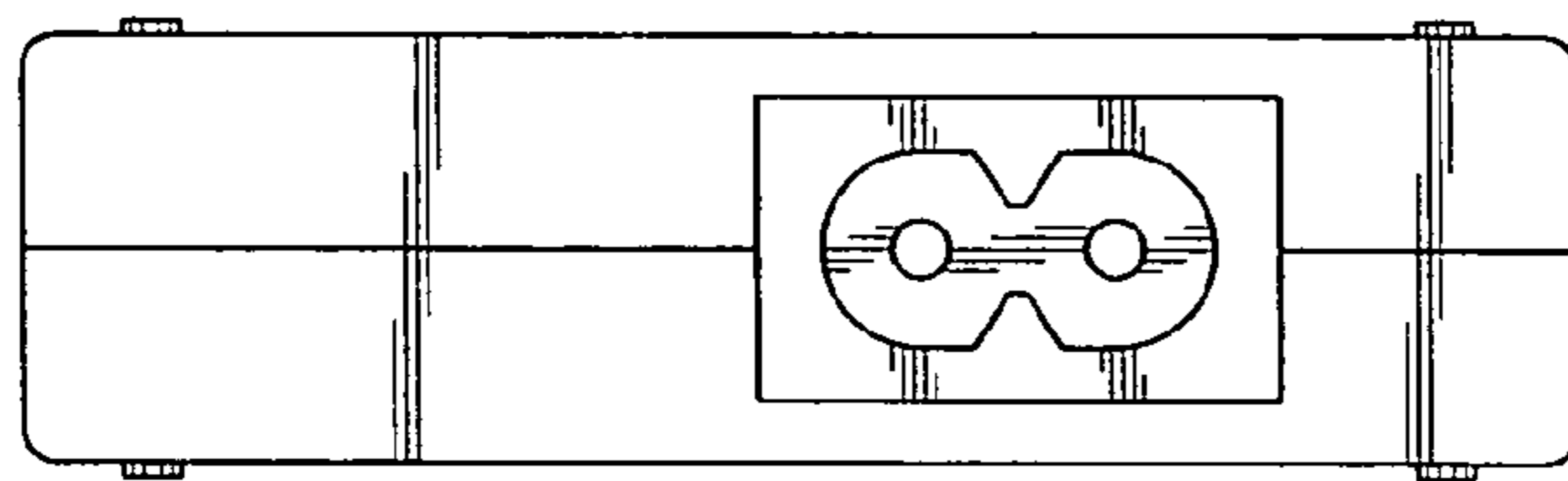


FIG. 4

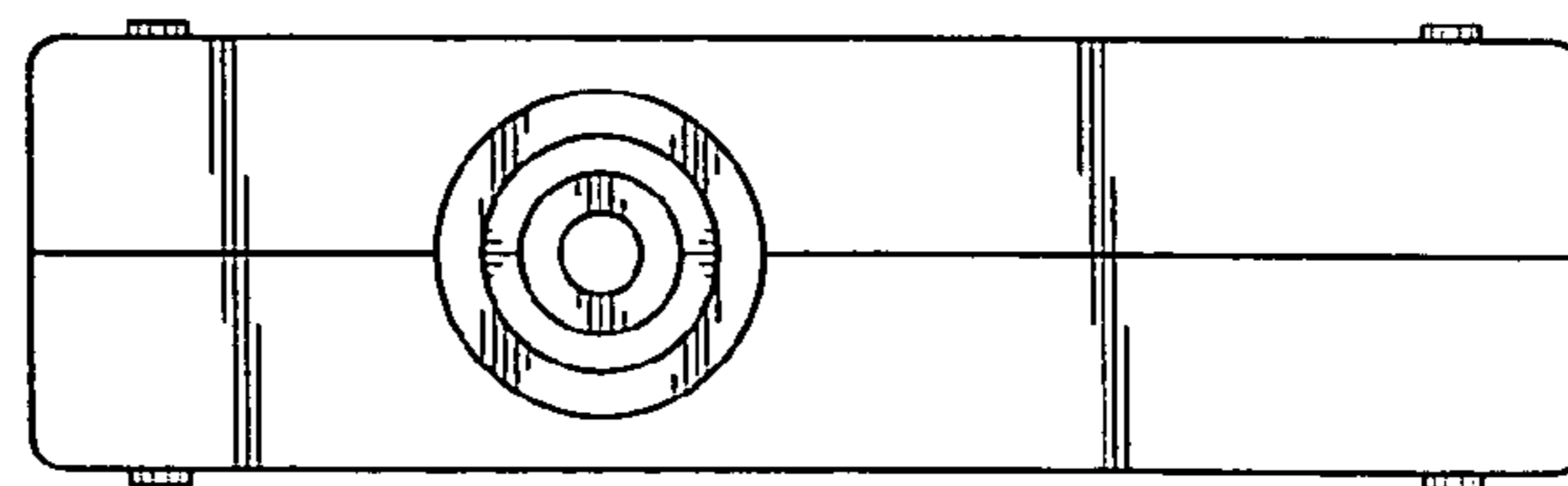


FIG. 5

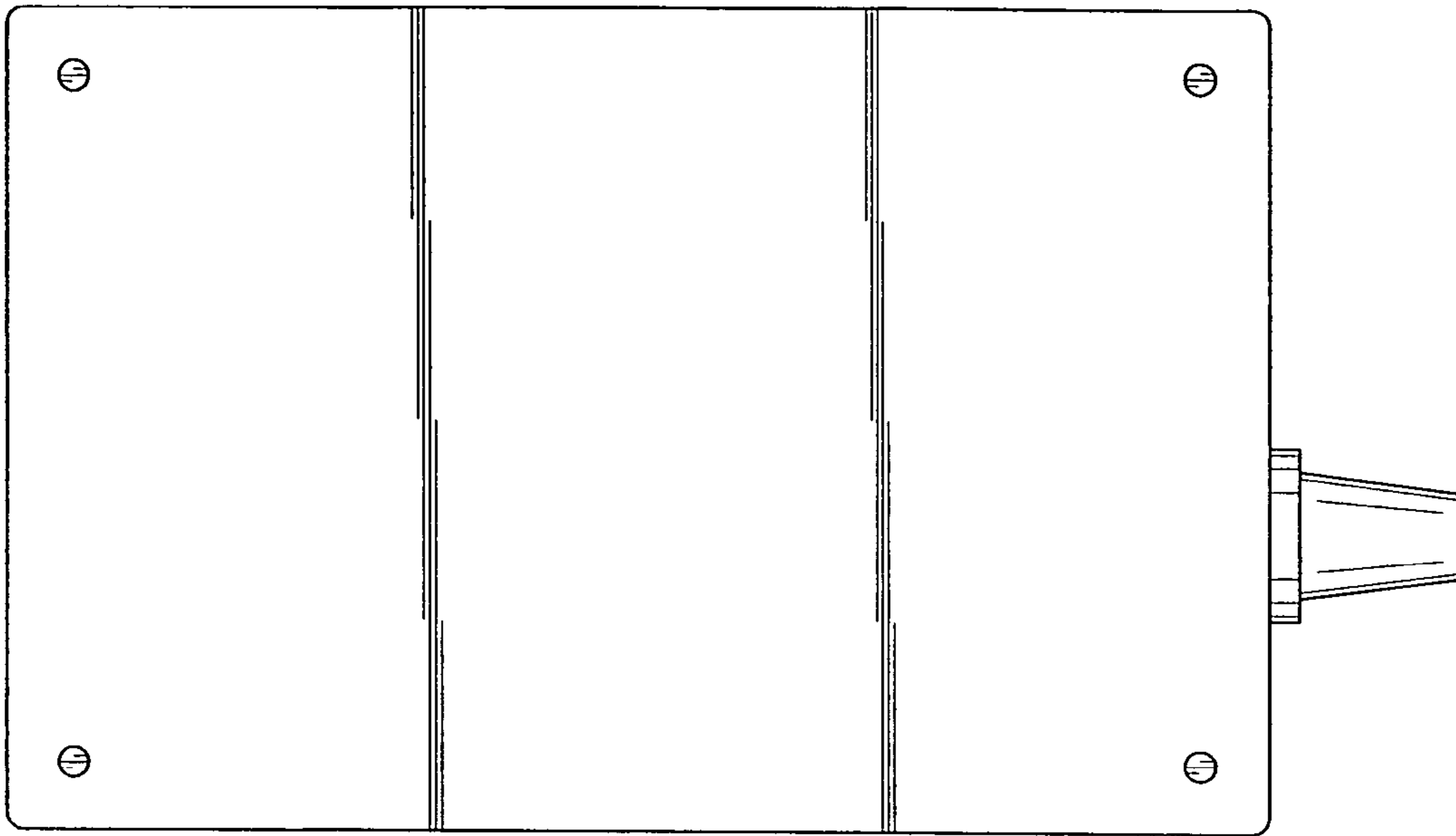


FIG. 6

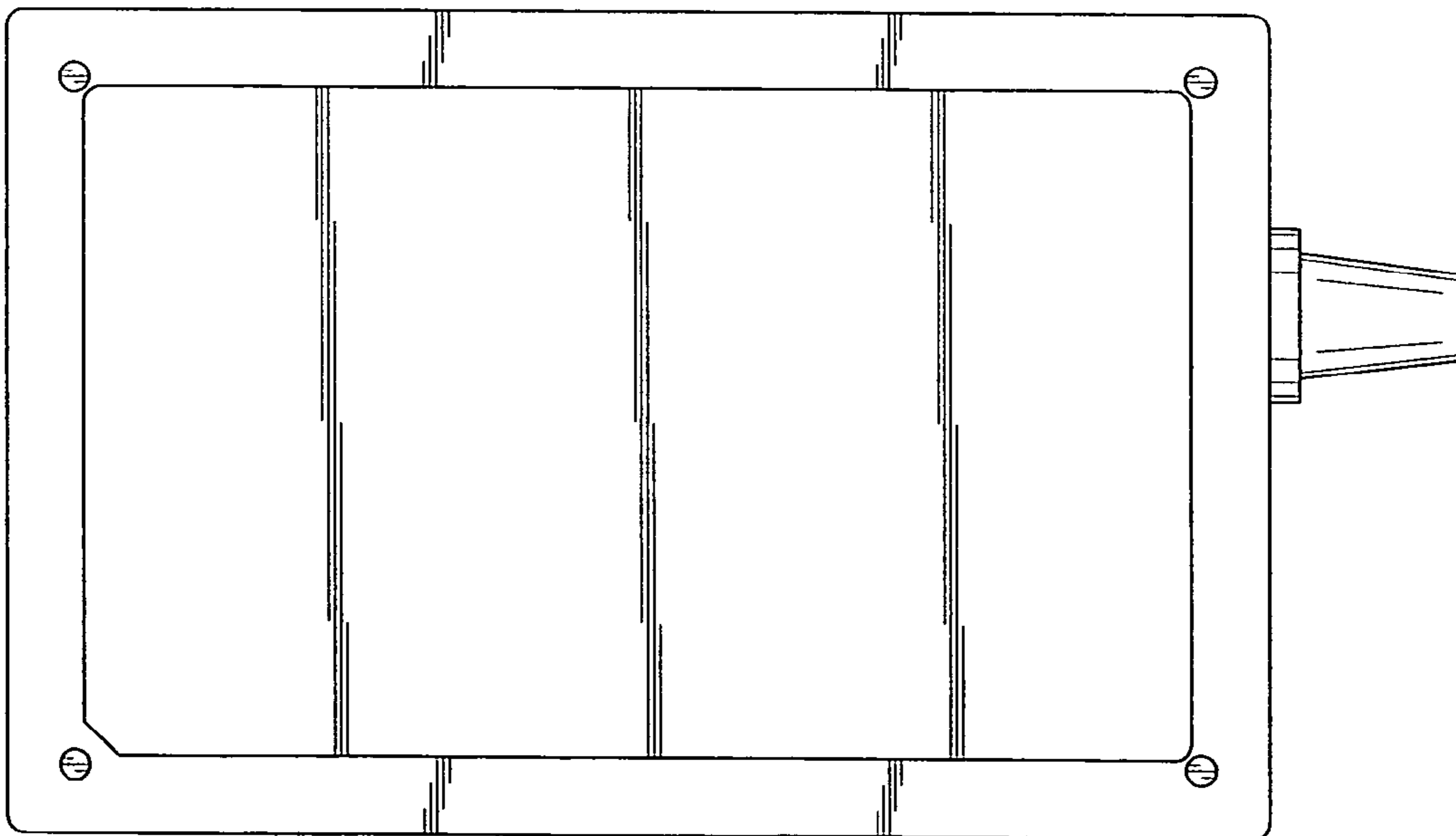


FIG. 7