



US00D705725S

(12) **United States Design Patent**  
**Ryu et al.**

(10) **Patent No.:** **US D705,725 S**  
(45) **Date of Patent:** **\*\* May 27, 2014**

(54) **CHARGER FOR MOBILE PHONES**

(71) Applicant: **LG Electronics Inc.**, Seoul (KR)

(72) Inventors: **Hyung Gon Ryu**, Seoul (KR); **Young Ho Kim**, Seoul (KR); **Jin Wan Bae**, Seoul (KR)

(73) Assignee: **LG Electronics Inc.**, Seoul (KR)

(\*\*) Term: **14 Years**

(21) Appl. No.: **29/466,180**

(22) Filed: **Sep. 5, 2013**

(30) **Foreign Application Priority Data**

May 8, 2013 (KR) ..... 30-2013-0024357

(51) **LOC (10) Cl.** ..... **13-02**

(52) **U.S. Cl.**  
USPC ..... **D13/108**

(58) **Field of Classification Search**  
USPC ..... D13/107–110, 118–119, 138.1–138.2,  
D13/184, 199; D14/217, 251, 253, 432,  
D14/434; 320/107–115  
See application file for complete search history.

(56) **References Cited**

**U.S. PATENT DOCUMENTS**

D308,044 S \* 5/1990 Chandler ..... D13/110  
D452,841 S \* 1/2002 Tuhkanen ..... D13/108  
D544,833 S \* 6/2007 Sade et al. .... D13/108

D611,409 S \* 3/2010 Green et al. .... D13/110  
D621,348 S \* 8/2010 Nysten ..... D13/108  
D639,238 S \* 6/2011 Serrano ..... D13/110  
D660,796 S \* 5/2012 Wen et al. .... D13/110  
D663,267 S \* 7/2012 Kim et al. .... D13/110  
D675,158 S \* 1/2013 Smith et al. .... D13/110  
D676,810 S \* 2/2013 Smith et al. .... D13/110  
D680,492 S \* 4/2013 Smith et al. .... D13/110  
D691,555 S \* 10/2013 Esses ..... D13/110

\* cited by examiner

*Primary Examiner* — Rosemary K Tarcza

(74) *Attorney, Agent, or Firm* — Morgan, Lewis & Bockius LLP

(57) **CLAIM**

We claim the ornamental design for a charger for mobile phones, as shown and described.

**DESCRIPTION**

FIG. 1 is a perspective view of a charger for mobile phones showing the new design:

FIG. 2 is a front elevation view thereof;

FIG. 3 is a rear elevation view thereof;

FIG. 4 is a left-side elevation view thereof;

FIG. 5 is a right-side elevation view thereof;

FIG. 6 is a top plan view thereof;

FIG. 7 is a bottom plan view thereof; and,

FIG. 8 is a perspective view united with a USB connection terminal for mobile phones.

The broken lines shown in the drawings are included for the purpose of illustrating environmental structure and form no part of the claimed design.

**1 Claim, 7 Drawing Sheets**

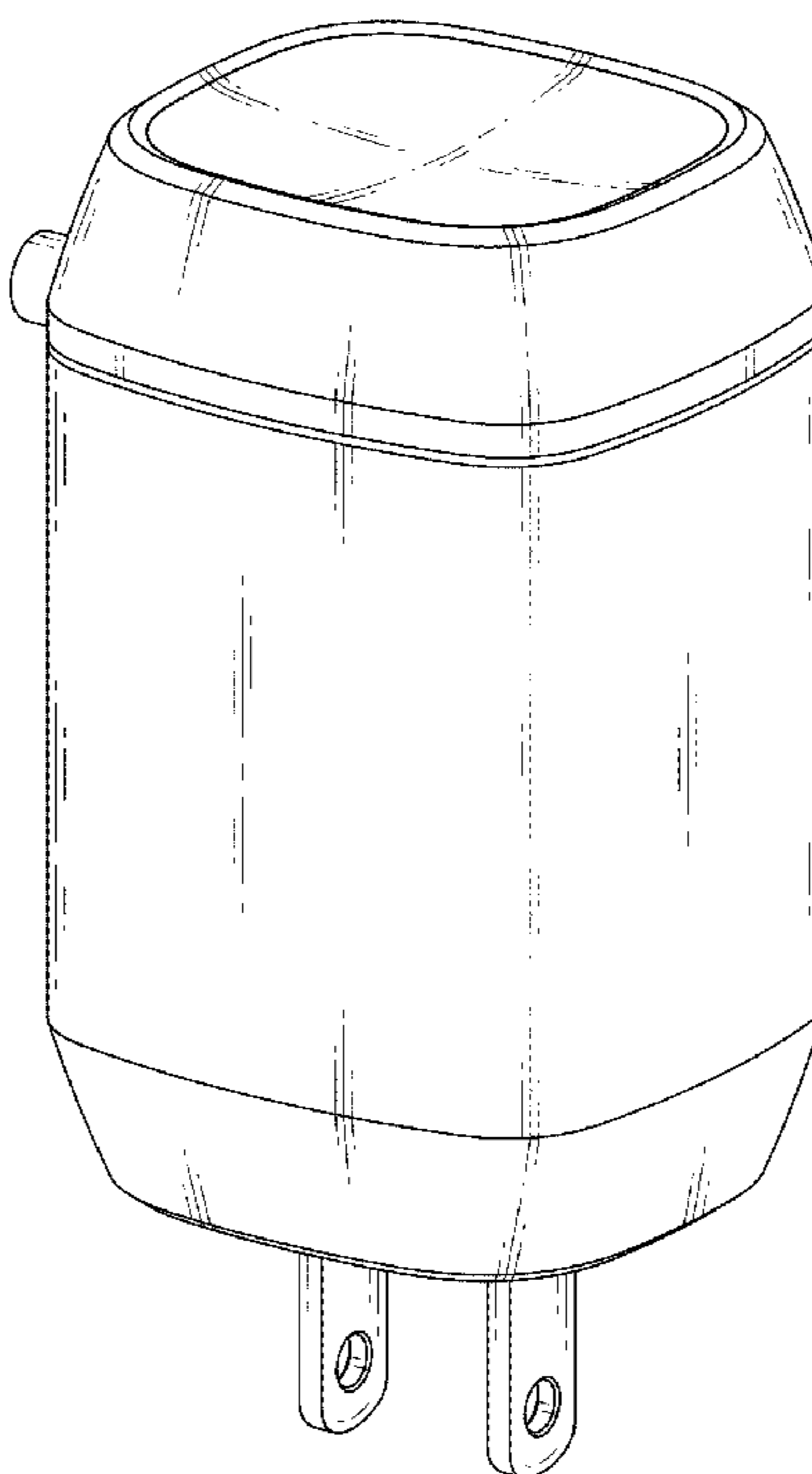


FIG. 1

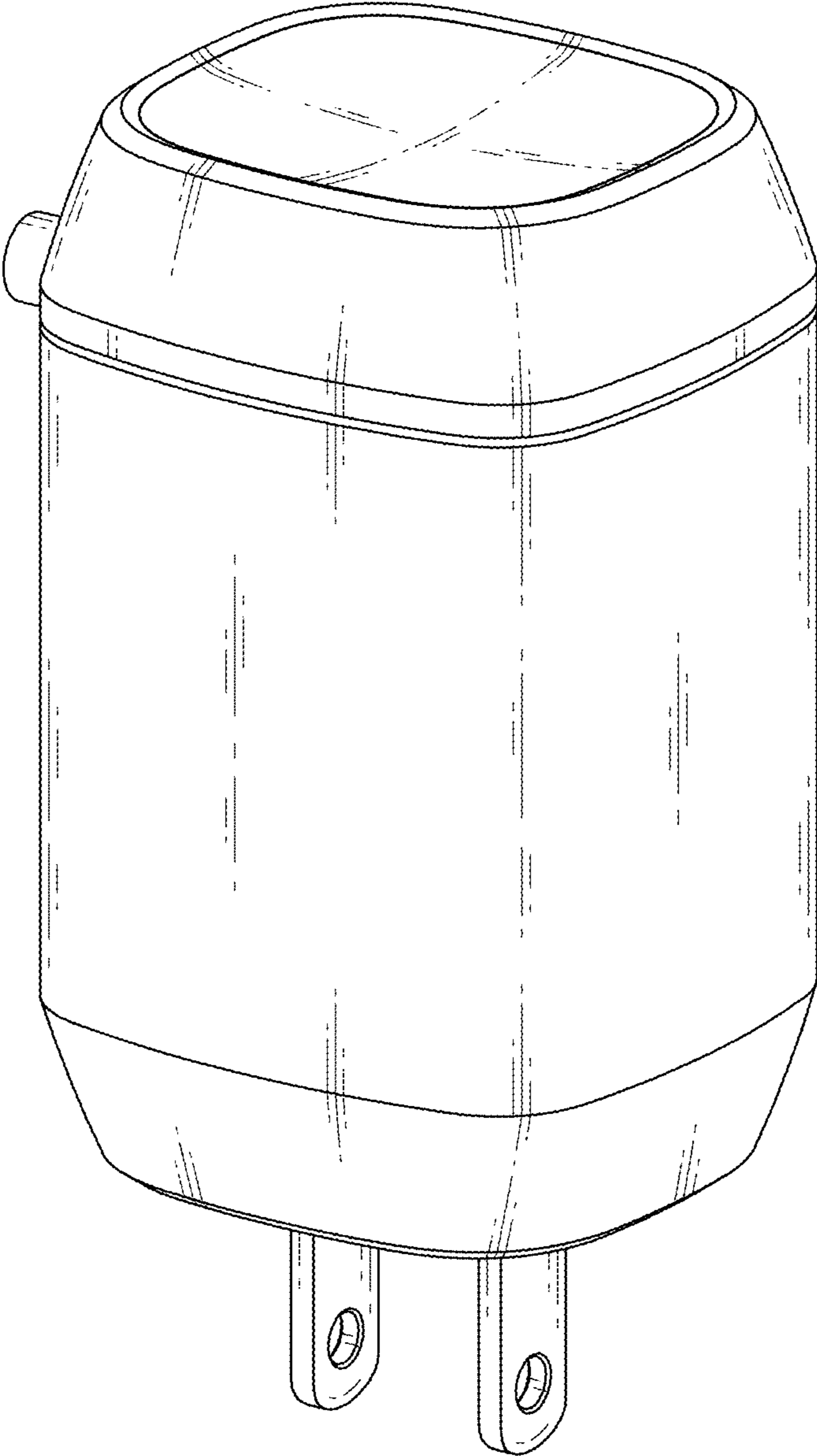


FIG. 2

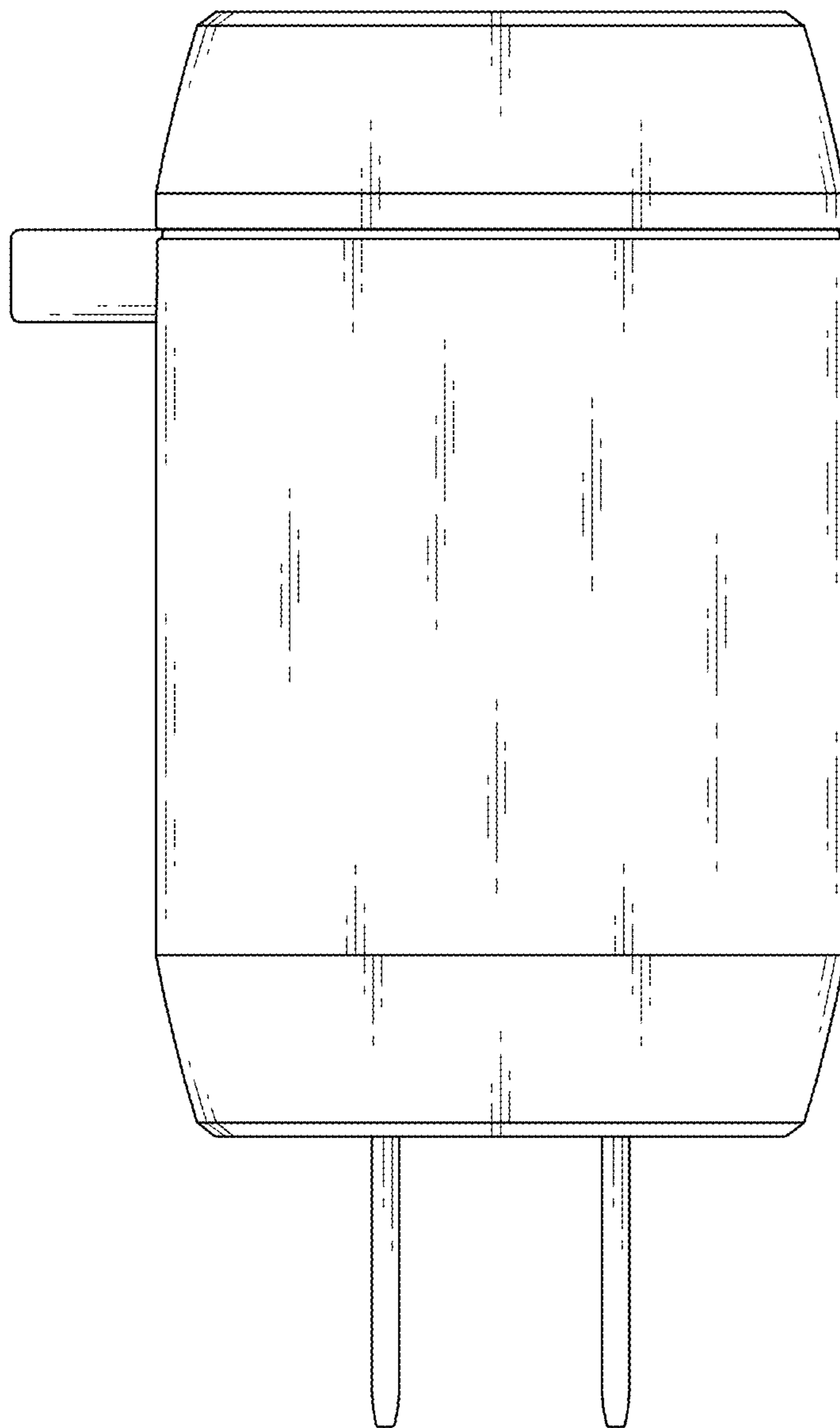


FIG. 3

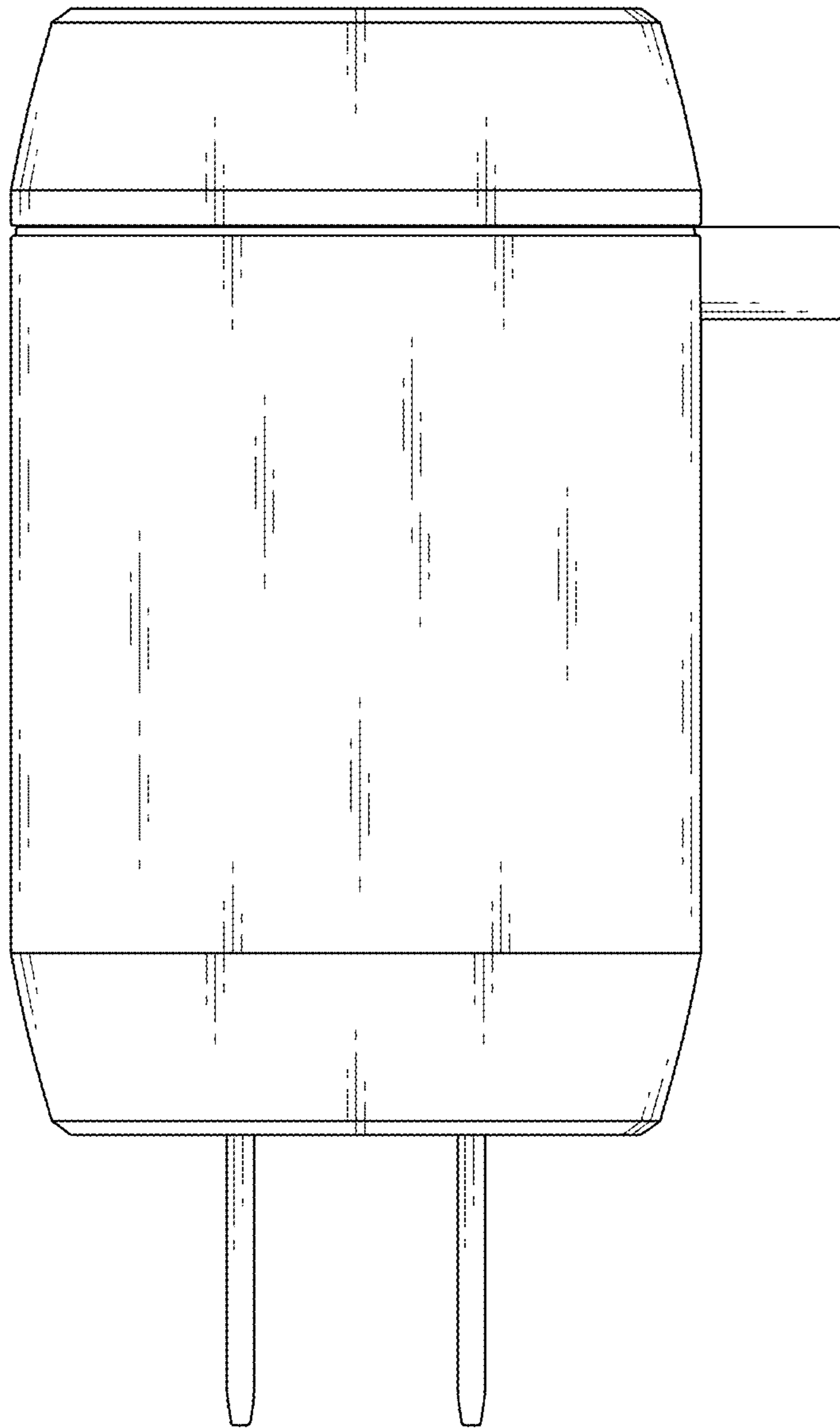


FIG. 4

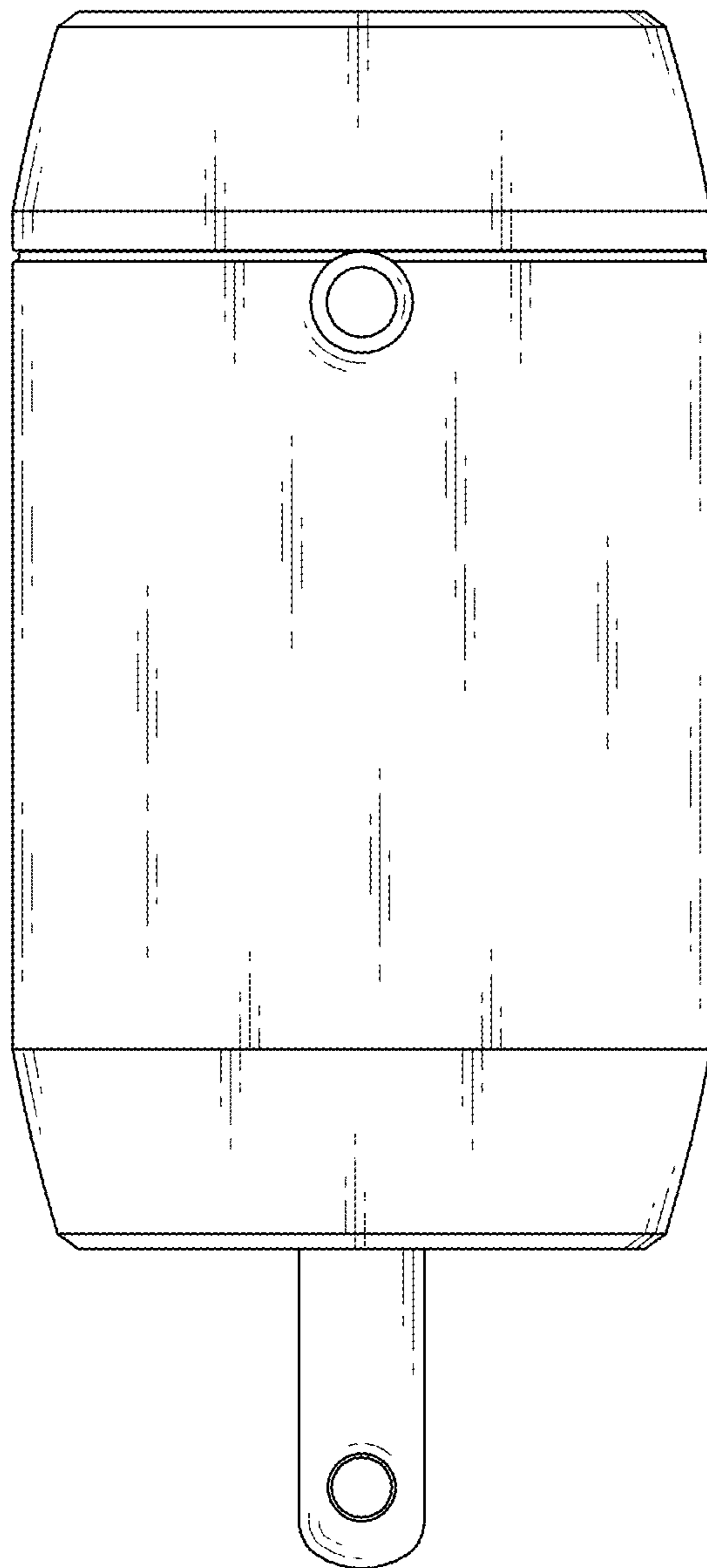


FIG. 5

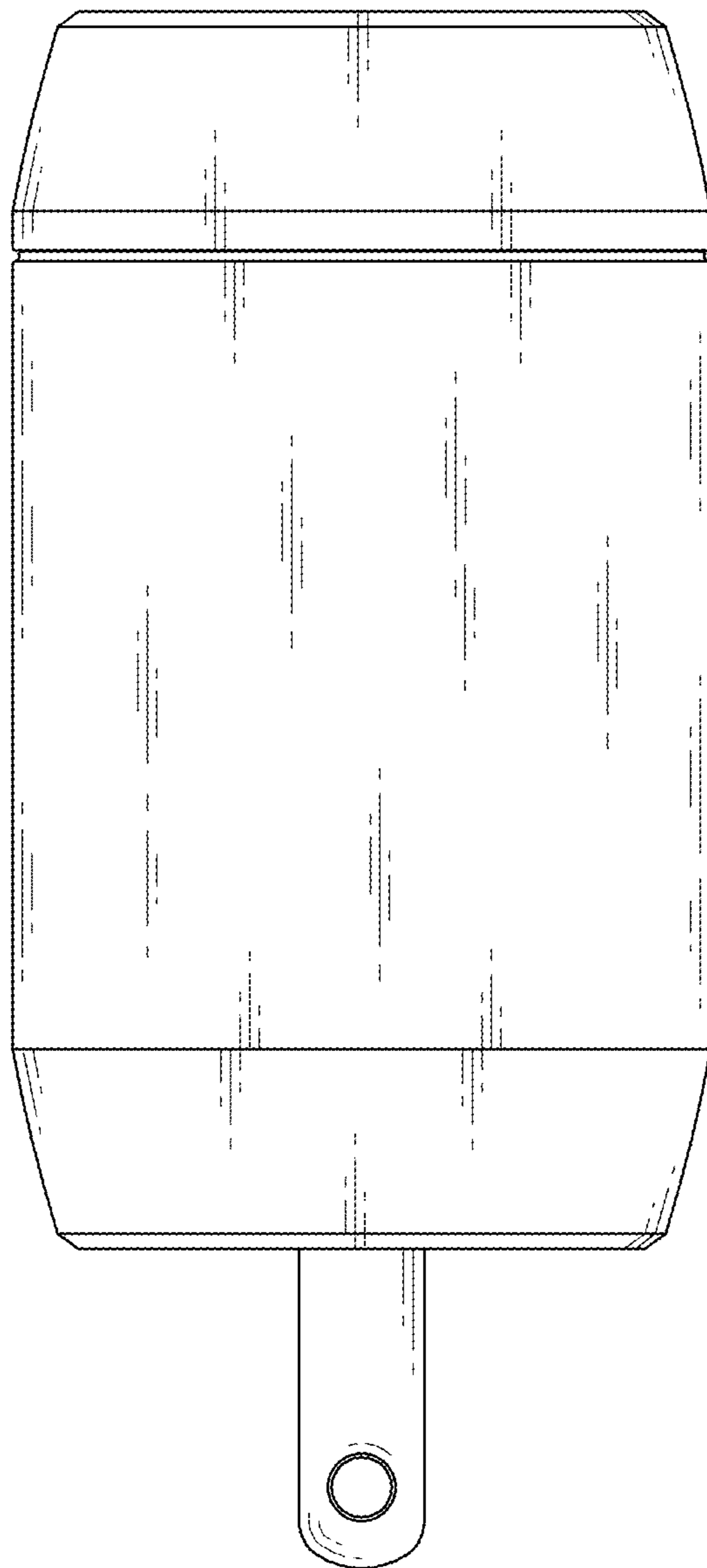


FIG. 6

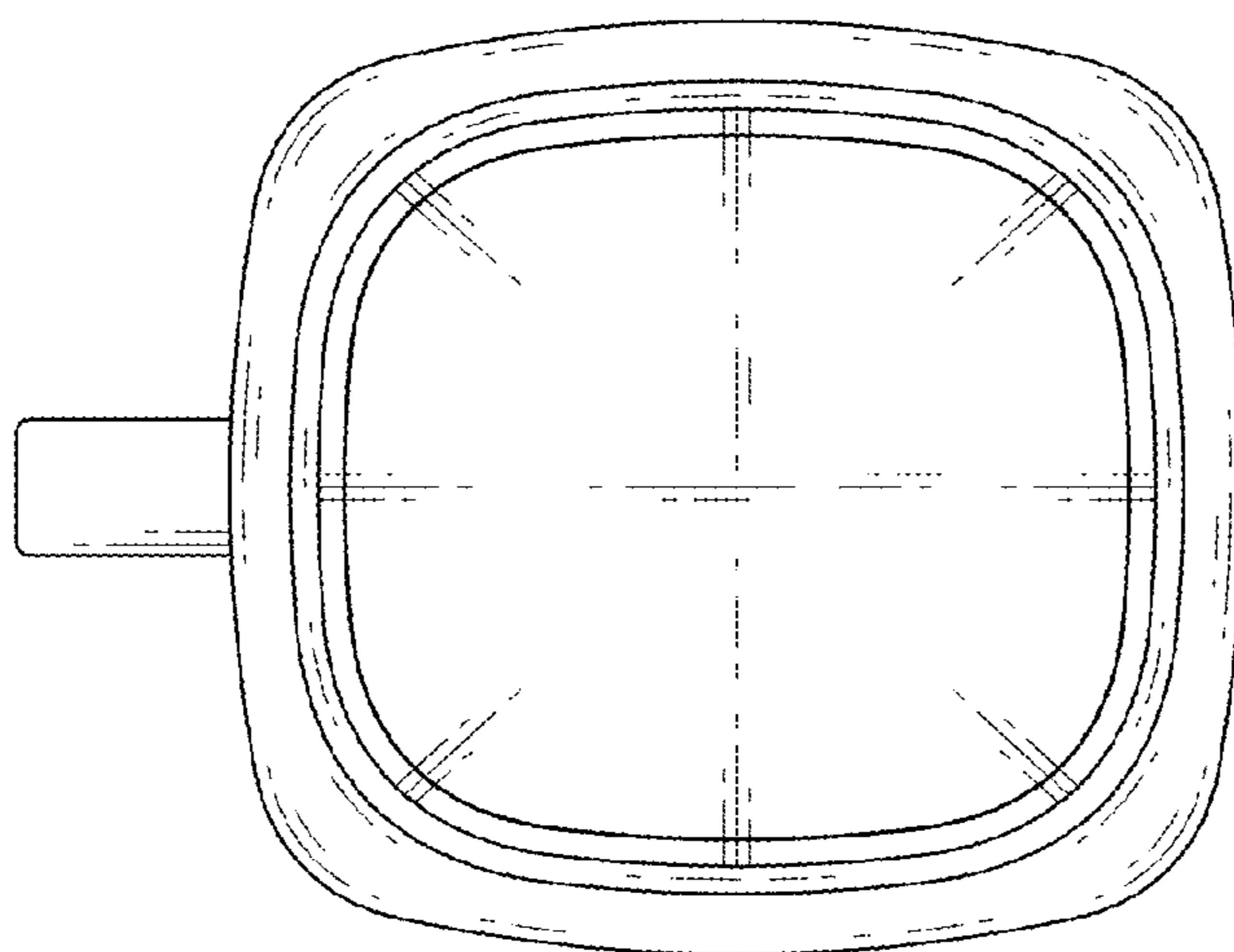


FIG. 7

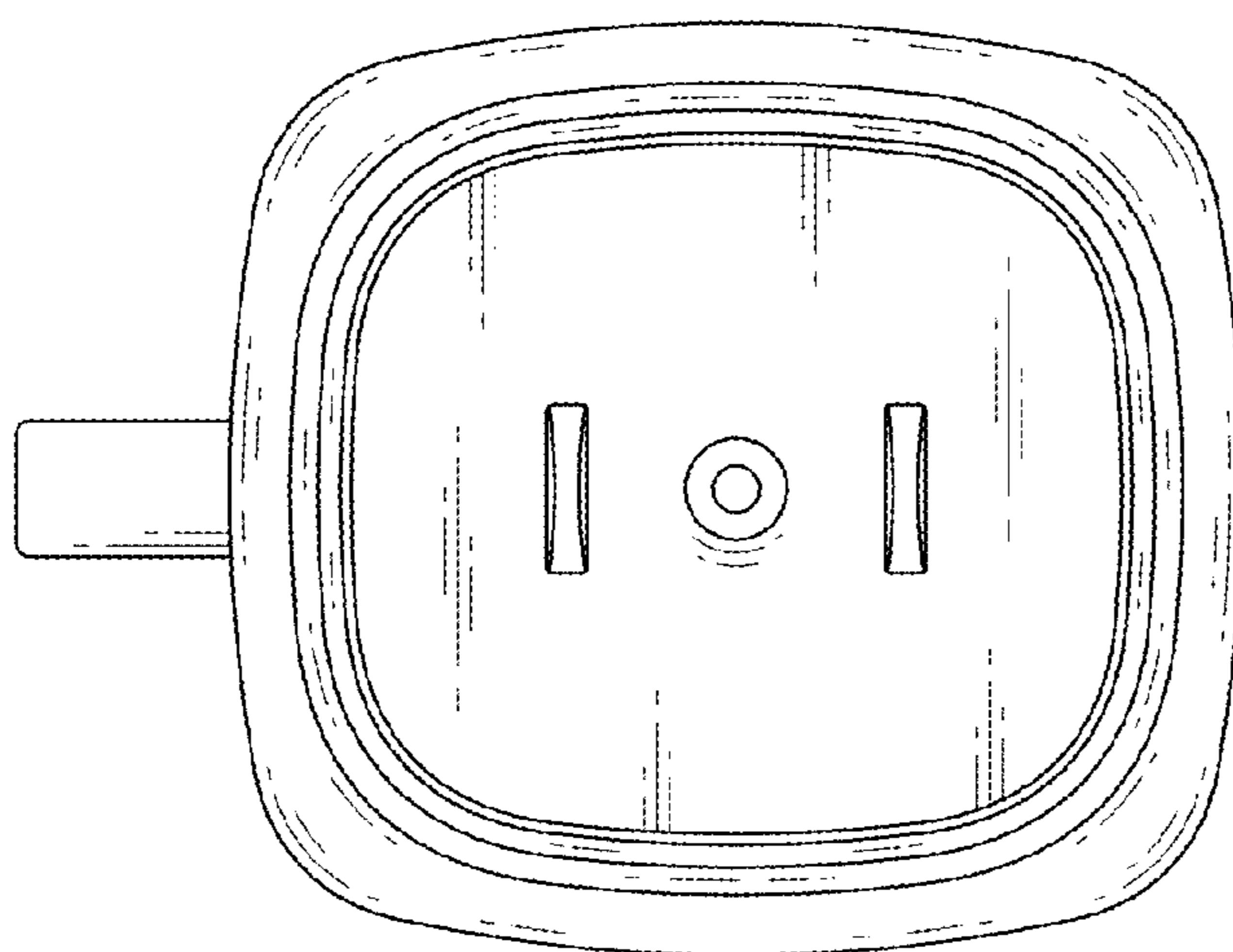


FIG. 8

