



US00D705722S

(12) **United States Design Patent**
Gengler

(10) **Patent No.:** **US D705,722 S**

(45) **Date of Patent:** **** May 27, 2014**

(54) **CHARGING DOCK**

(71) Applicant: **David Peter Gengler**, Draper, UT (US)

(72) Inventor: **David Peter Gengler**, Draper, UT (US)

(**) Term: **14 Years**

(21) Appl. No.: **29/467,270**

(22) Filed: **Sep. 17, 2013**

(51) **LOC (10) Cl.** **13-02**

(52) **U.S. Cl.**
USPC **D13/107**

(58) **Field of Classification Search**

CPC Y02E 60/12; Y02T 90/14; Y02T 90/122;
Y02T 90/128; Y02T 90/163; H02J 7/025;
H02J 7/0042; H02J 7/0044; H02J 7/0045;
H02J 7/0003; H01F 38/14; H01R 13/6675;
H01M 2/1022; H01M 2/1055; H01M 10/44;
H01M 10/46; H01M 10/425; B60L 11/182
USPC D13/107-110, 118-119, 184, 199;
D14/251, 253, 432, 434; 320/107-115

See application file for complete search history.

(56) **References Cited**

U.S. PATENT DOCUMENTS

2,772,382	A	*	11/1956	Escoffery	257/658
D185,106	S	*	5/1959	Van Den Berg	D6/474
5,659,236	A	*	8/1997	Hahn	320/111
D465,532	S	*	11/2002	Hussaini et al.	D21/333
D532,366	S	*	11/2006	Koizumi	D13/108
D540,802	S	*	4/2007	Hussaini et al.	D14/434
D574,375	S	*	8/2008	Prest et al.	D14/253
D584,731	S	*	1/2009	Montgomery et al.	D14/434
D623,132	S	*	9/2010	Yano	D13/108

D642,122	S	*	7/2011	Budike, Jr.	D13/108
D642,124	S	*	7/2011	Budike, Jr.	D13/108
D642,519	S	*	8/2011	Woo et al.	D13/108
D647,881	S	*	11/2011	Warner	D14/217
D648,325	S	*	11/2011	Akana et al.	D14/217
D650,329	S	*	12/2011	Budike, Jr.	D13/108
D659,637	S	*	5/2012	Hwang et al.	D13/108
D662,083	S	*	6/2012	Akana et al.	D14/217
D664,958	S	*	8/2012	McManigal	D14/434
D669,429	S	*	10/2012	Budike	D13/108
D669,430	S	*	10/2012	Budike	D13/108
D676,832	S	*	2/2013	Akana et al.	D14/217
D685,322	S	*	7/2013	Szymanski et al.	D13/108
2012/0098493	A1	*	4/2012	Budike	320/111

* cited by examiner

Primary Examiner — Rosemary K Tarcza

(74) *Attorney, Agent, or Firm* — Kory D. Christensen; Stoel Rives LLP

(57) **CLAIM**

The ornamental design for charging dock, as shown and described.

DESCRIPTION

FIG. 1 is a front perspective of an embodiment of a charging dock showing my new design;

FIG. 2 is a top plan view thereof;

FIG. 3 is a right side elevation view thereof;

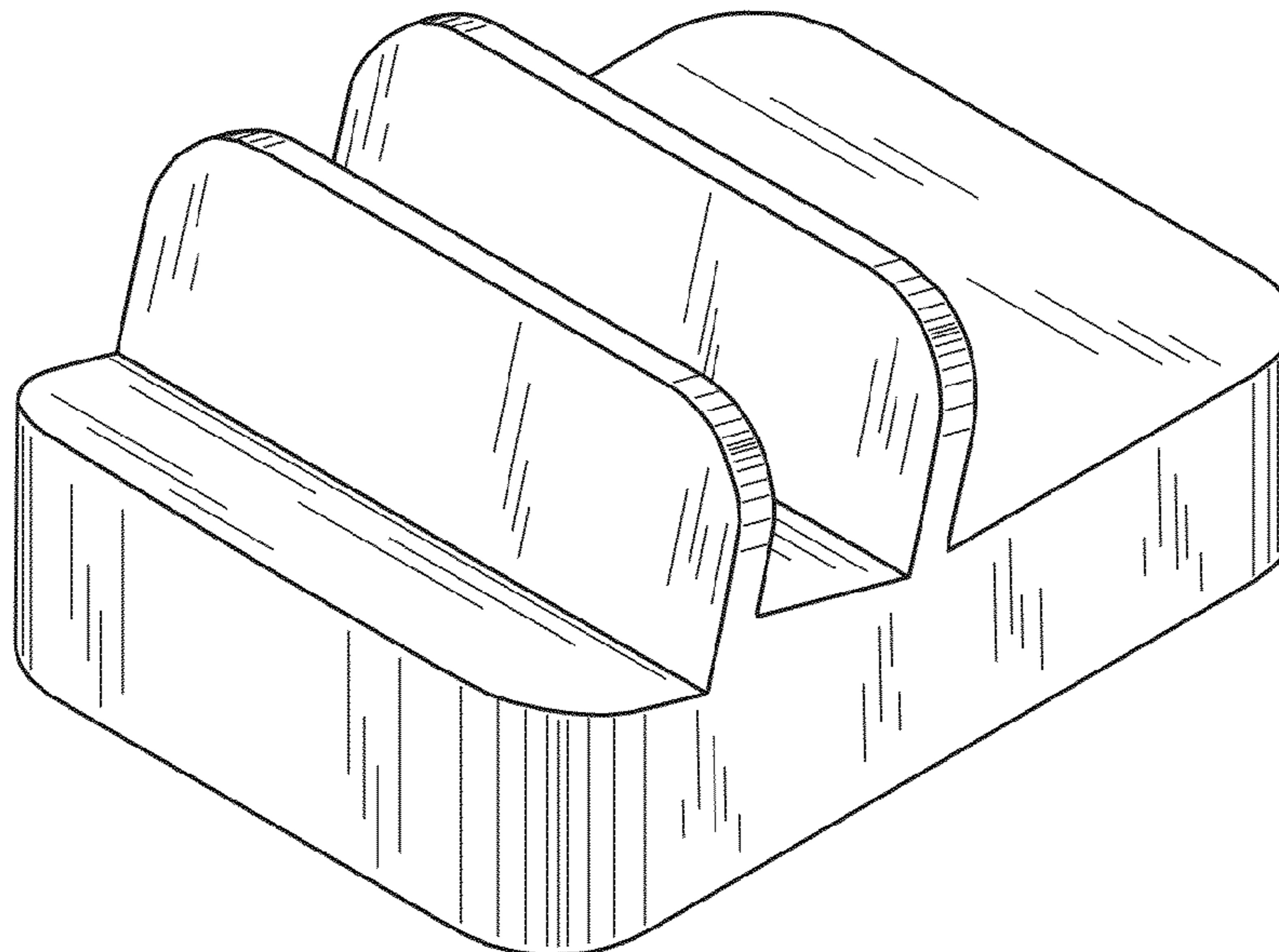
FIG. 4 is a rear elevation view thereof;

FIG. 5 is front elevation view thereof; and,

FIG. 6 is a bottom plan view thereof.

The broken lines are directed to environment and are for illustrative purposes only; the broken lines form no part of the claimed design.

1 Claim, 6 Drawing Sheets



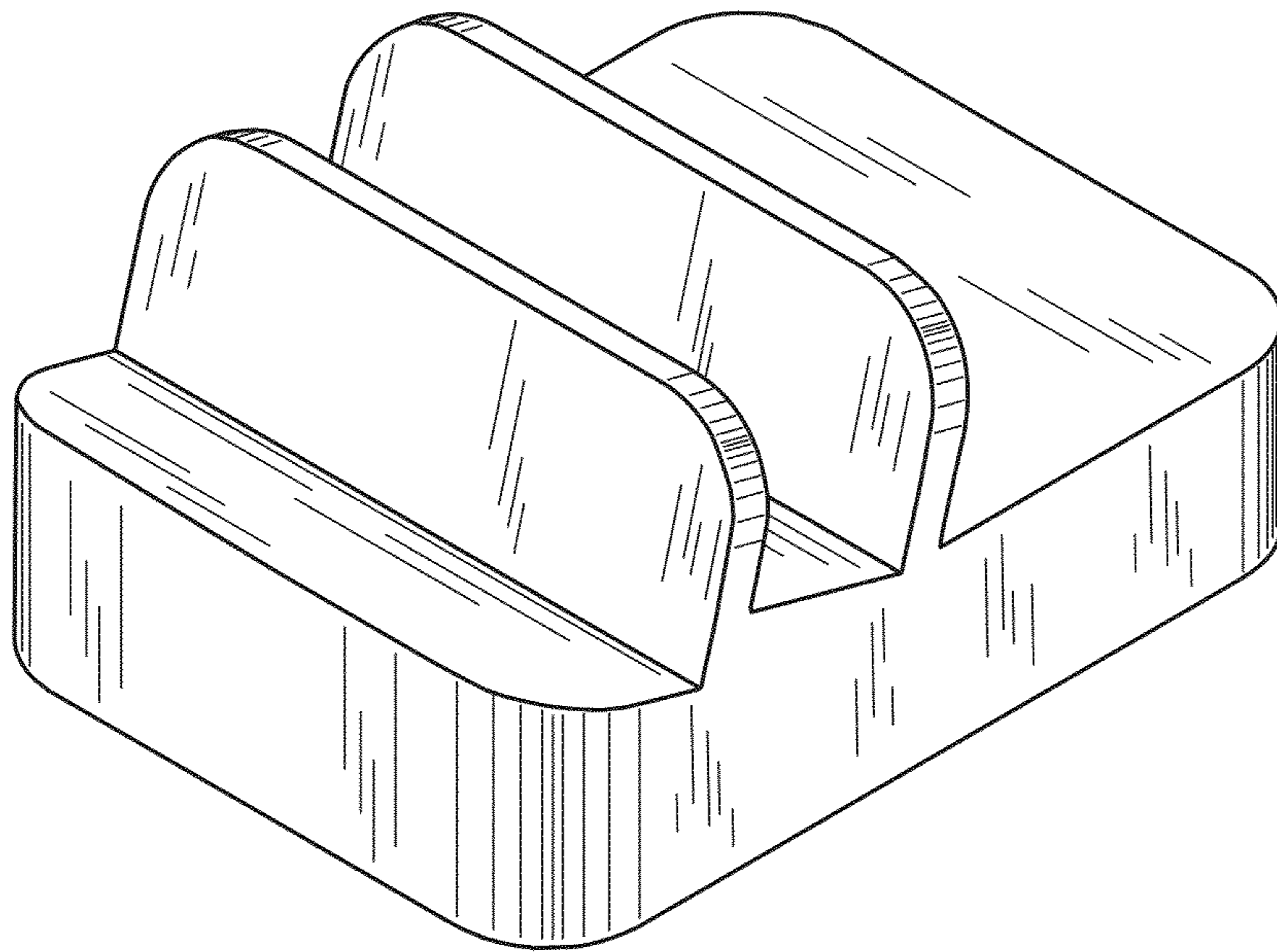


FIG. 1

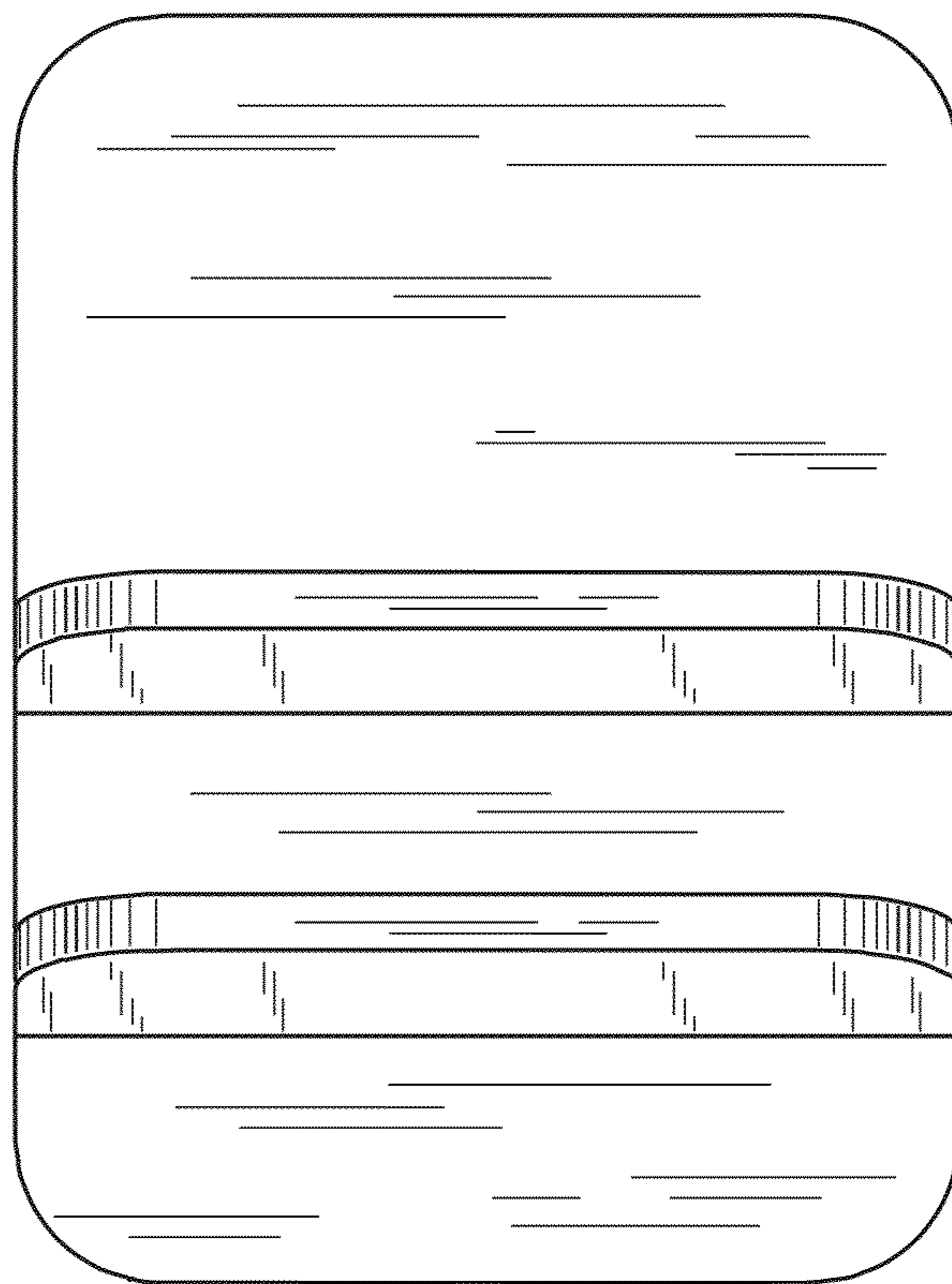


FIG. 2

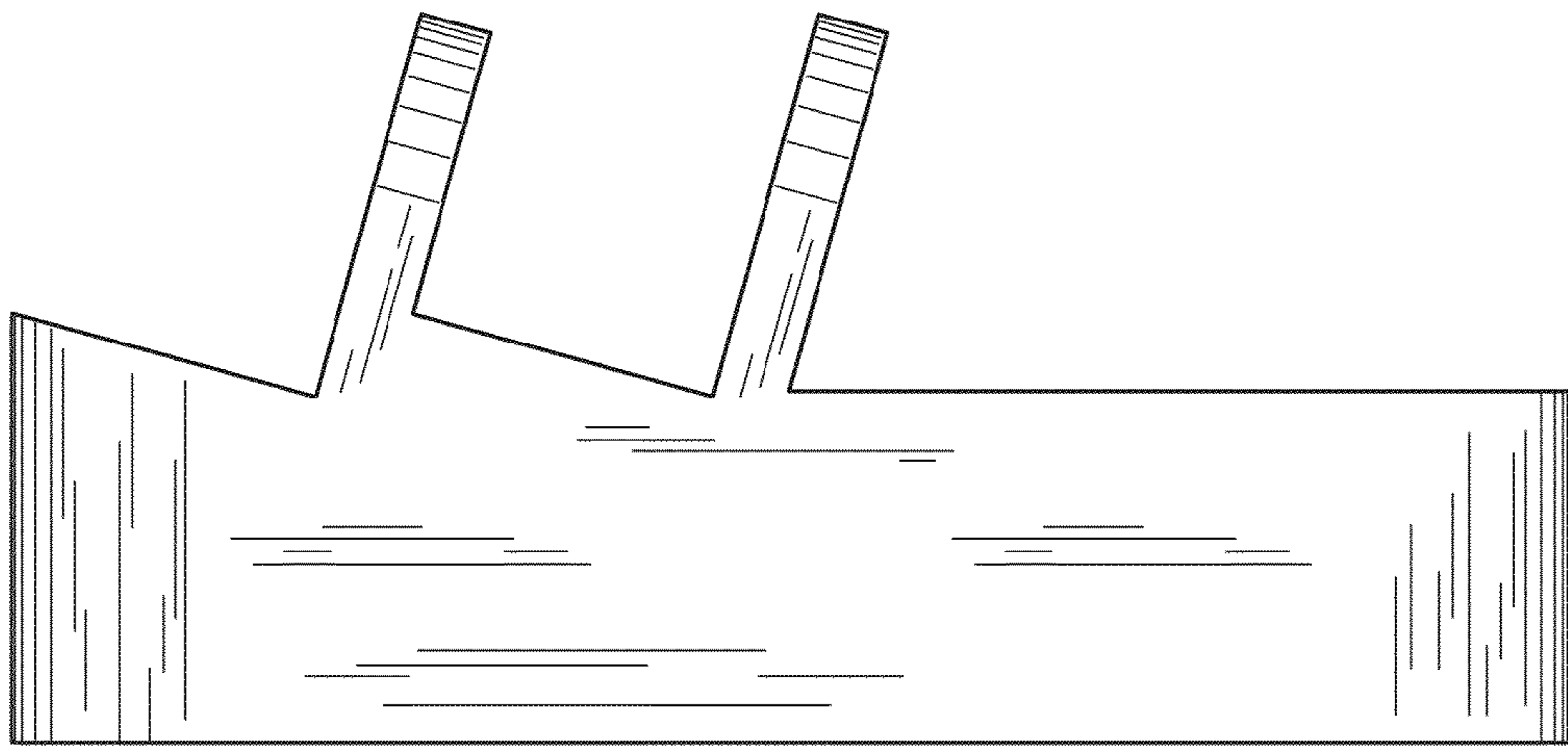


FIG. 3

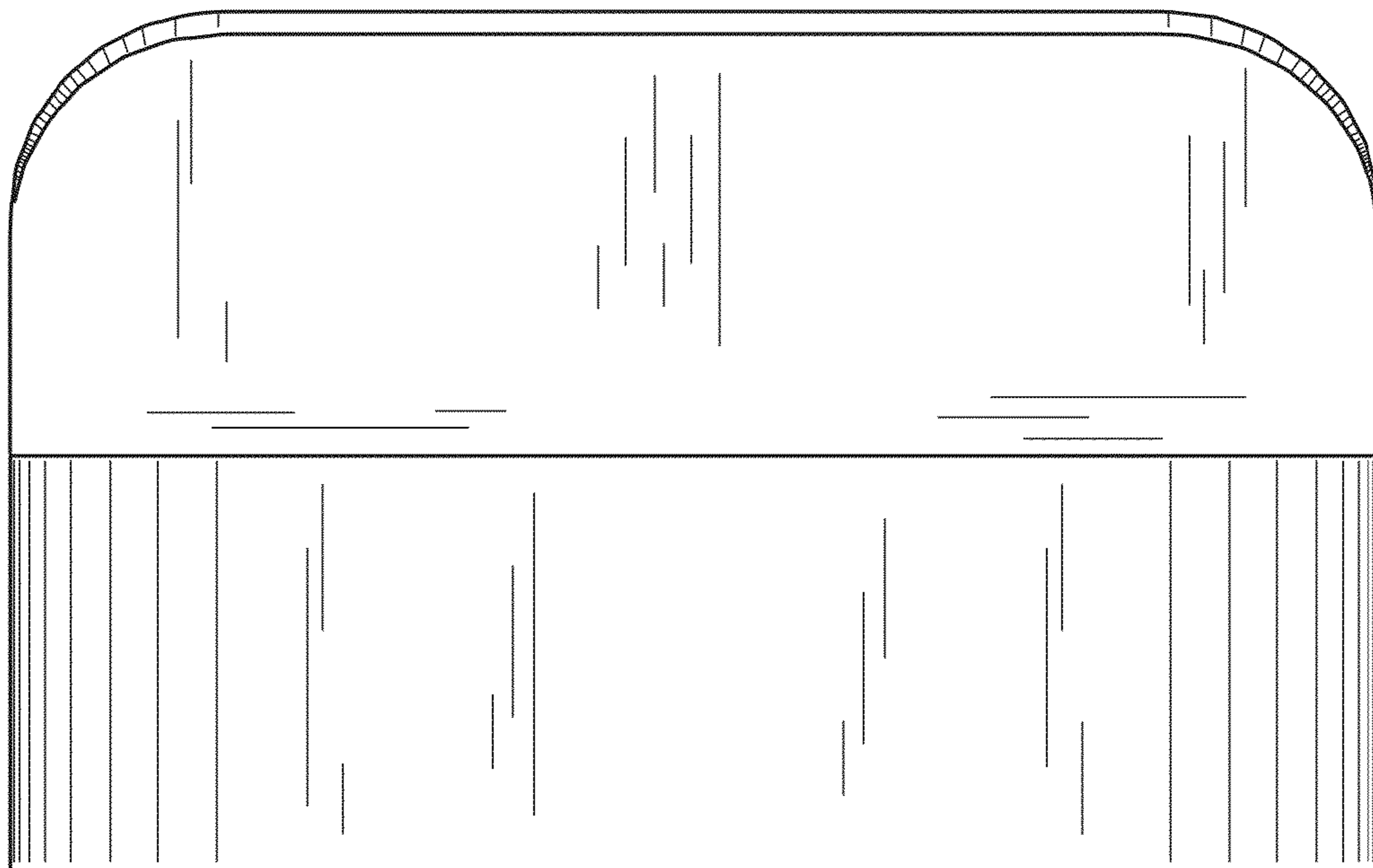


FIG. 4

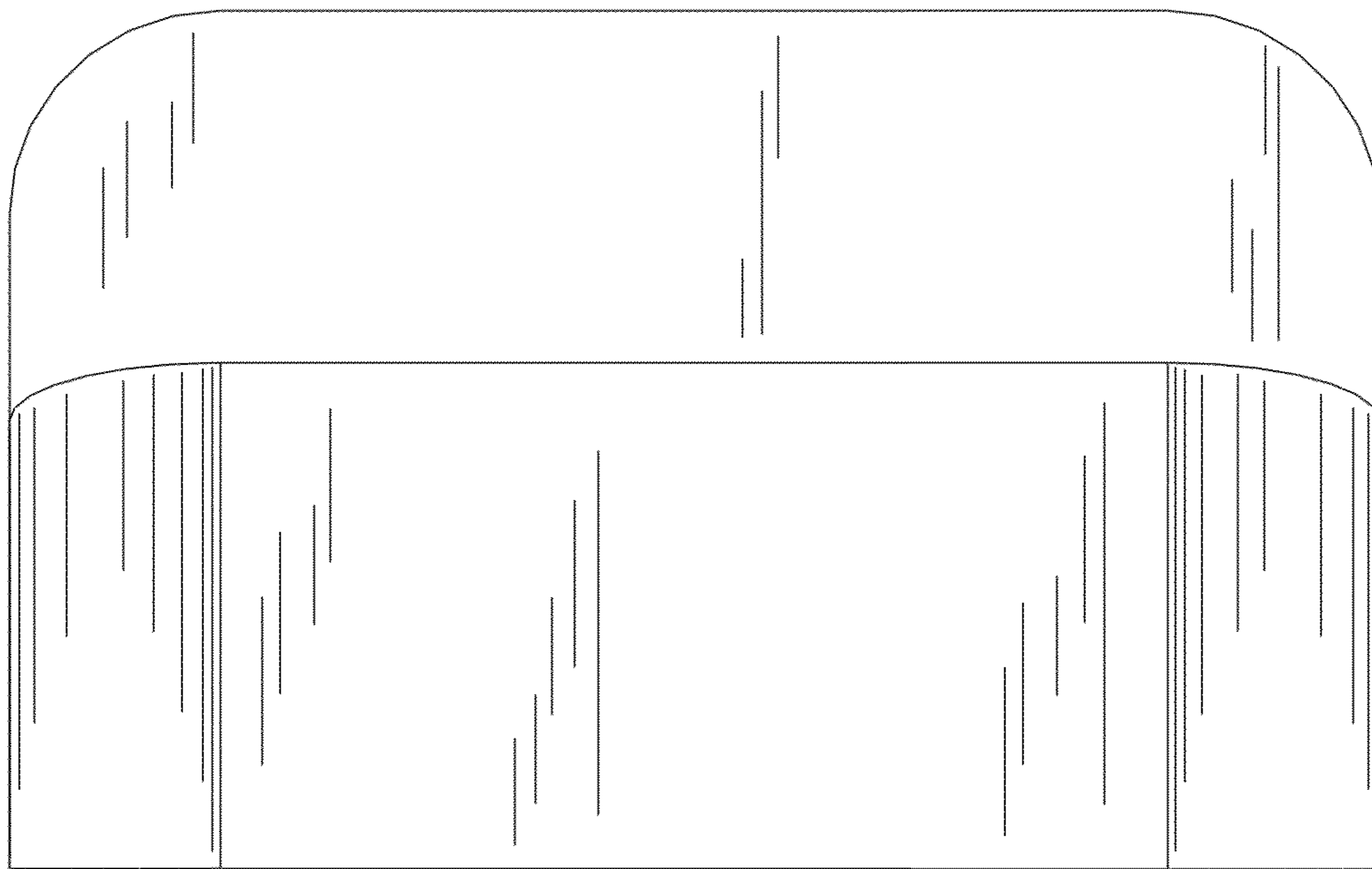


FIG. 5

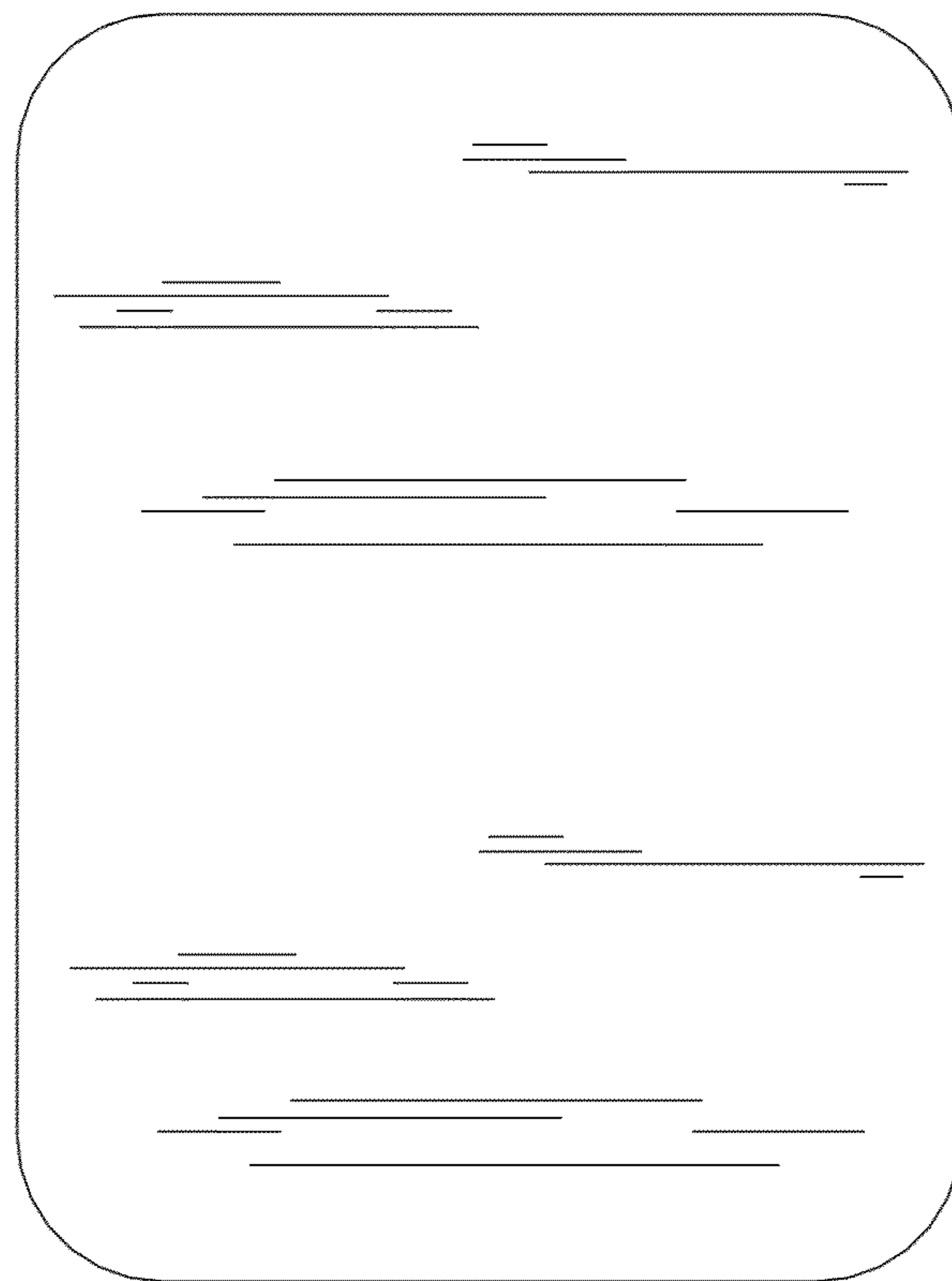


FIG. 6