



US00D705720S

(12) **United States Design Patent**
Lee

(10) **Patent No.:** **US D705,720 S**
(45) **Date of Patent:** **** May 27, 2014**

(54) **BATTERY FOR A PORTABLE COMPUTER**

(71) Applicant: **Samsung Electronics Co., Ltd.**,
Suwon-Si (KR)

(72) Inventor: **Jin-Sun Lee**, Kyunggi-do (KR)

(73) Assignee: **Samsung Electronics Co., Ltd.**,
Suwon-Si (KR)

(**) Term: **14 Years**

(21) Appl. No.: **29/452,591**

(22) Filed: **Apr. 18, 2013**

(30) **Foreign Application Priority Data**

Nov. 16, 2012 (KR) 30-2012-0054771

(51) **LOC (10) Cl.** **13-02**

(52) **U.S. Cl.**
USPC **D13/103**

(58) **Field of Classification Search**
USPC D13/102-108, 110, 118-121, 184, 199;
429/96-100, 163, 176
See application file for complete search history.

(56) **References Cited**

U.S. PATENT DOCUMENTS

D448,003 S *	9/2001	Ogasawara	D13/103
D451,069 S *	11/2001	Maggert et al.	D13/103
D457,857 S *	5/2002	Ogasawara	D13/103
D515,025 S *	2/2006	Yokota	D13/103
D520,942 S *	5/2006	Yokota	D13/103
D521,448 S *	5/2006	Yokota	D13/103
D539,730 S *	4/2007	Kawase	D13/103
D580,350 S *	11/2008	Iseki	D13/103
D580,850 S *	11/2008	Iseki	D13/103

D591,673 S *	5/2009	Ogasawara	D13/103
D603,330 S *	11/2009	Iseki	D13/103
D616,362 S *	5/2010	Chang et al.	D13/103
D650,325 S	12/2011	Kim et al.		
D662,468 S *	6/2012	Nishimura et al.	D13/103

FOREIGN PATENT DOCUMENTS

KR 3004327310000 11/2006

OTHER PUBLICATIONS

Design U.S. Appl. No. 29/390,440; Inventor: Dae-Joan Kim et al.,
filed Apr. 25, 2011, entitled Battery for Notebook Computer.

* cited by examiner

Primary Examiner — Rosemary K Tarcza

(74) *Attorney, Agent, or Firm* — Wood, Herron & Evans,
LLP

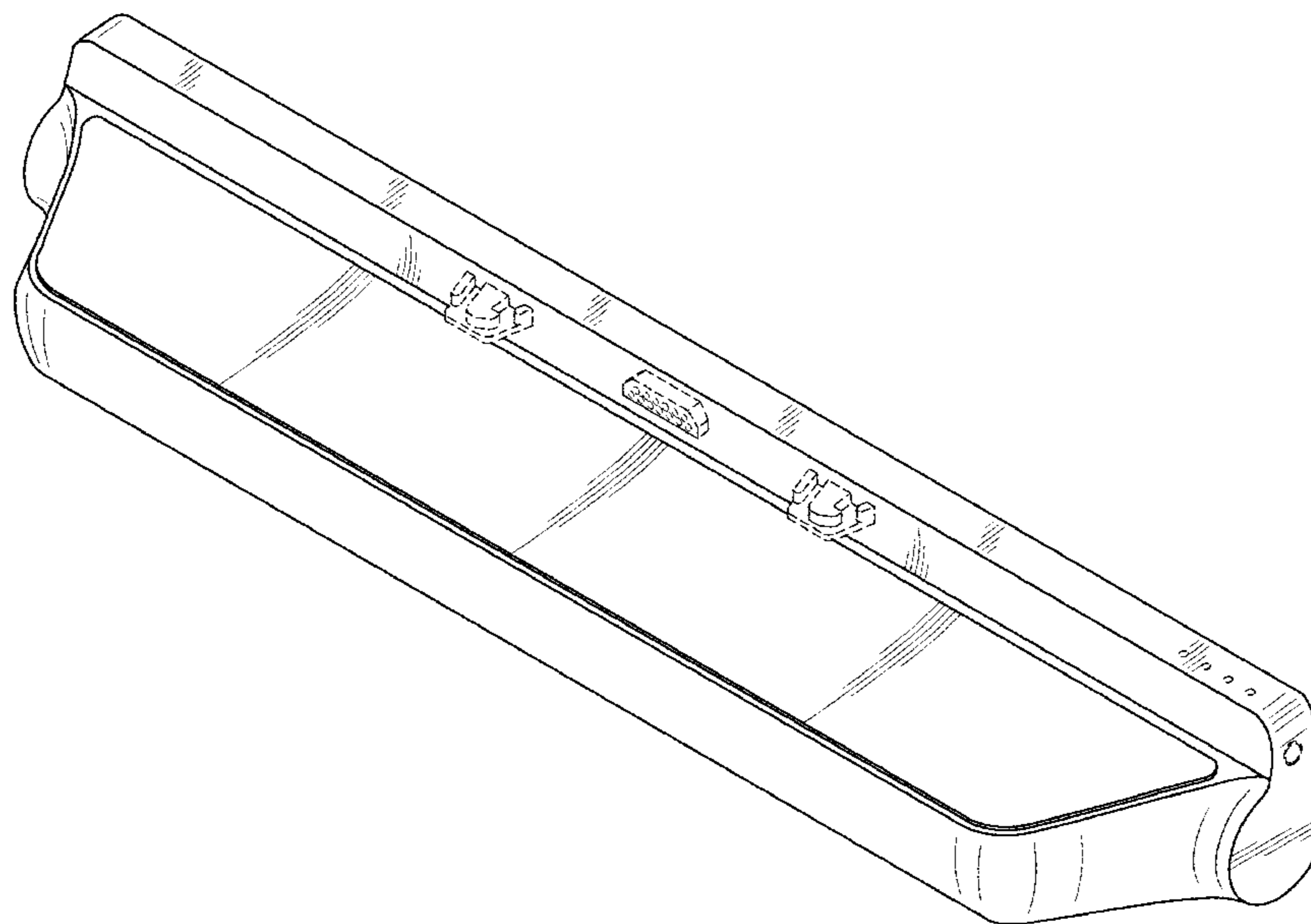
(57) **CLAIM**

The ornamental design for a battery for a portable computer,
as shown and described.

DESCRIPTION

FIG. 1 is a top front perspective view of a battery for a
portable computer showing my new design;
FIG. 2 is a front elevational view thereof;
FIG. 3 is a rear elevational view thereof;
FIG. 4 is a left side elevational view thereof;
FIG. 5 is a right side elevational view thereof;
FIG. 6 is a top plan view thereof;
FIG. 7 is a bottom plan view thereof; and,
FIG. 8 is a left side view thereof showing that the present
battery is connected with a portable computer.
The broken lines depict environmental subject matter only
and form no part of the claimed design.

1 Claim, 4 Drawing Sheets



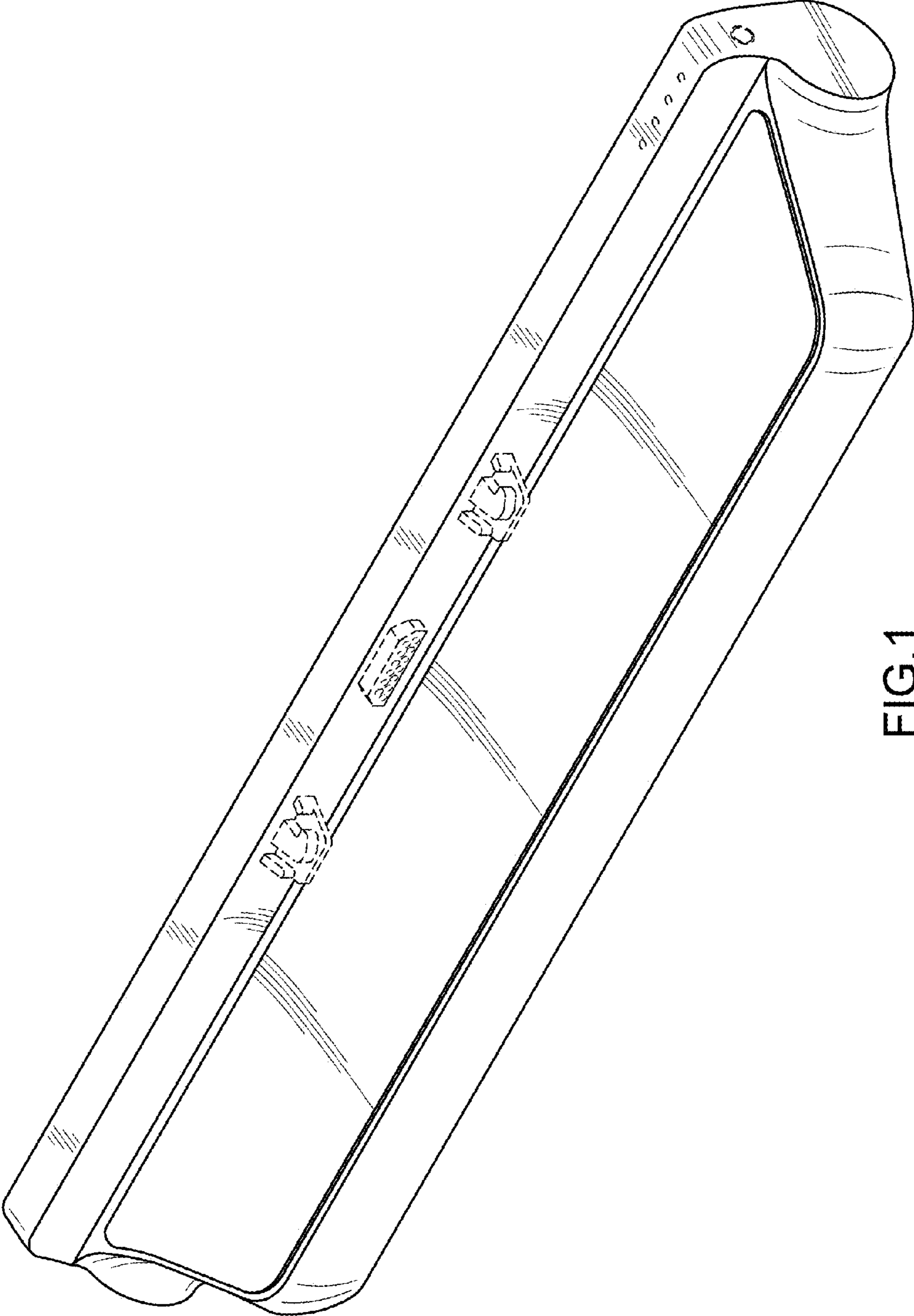


FIG.1

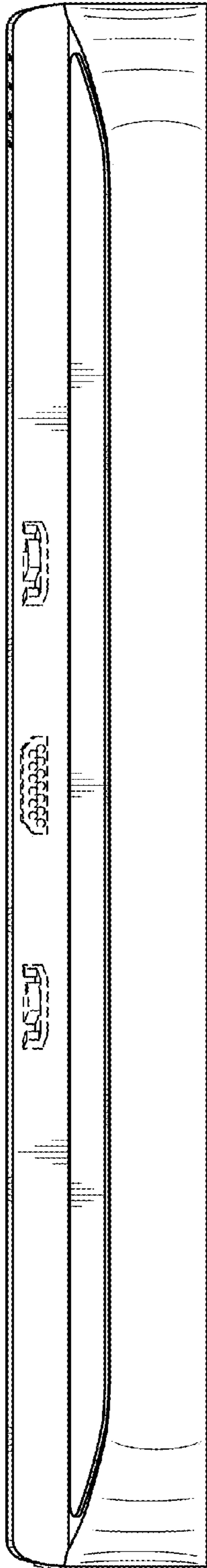


FIG. 2

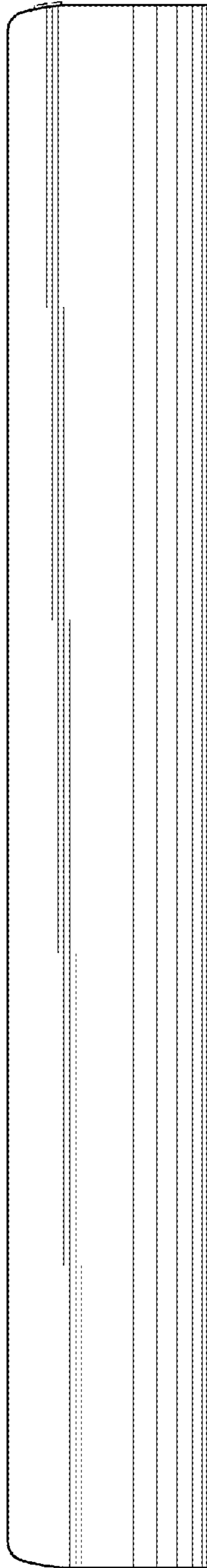


FIG. 3

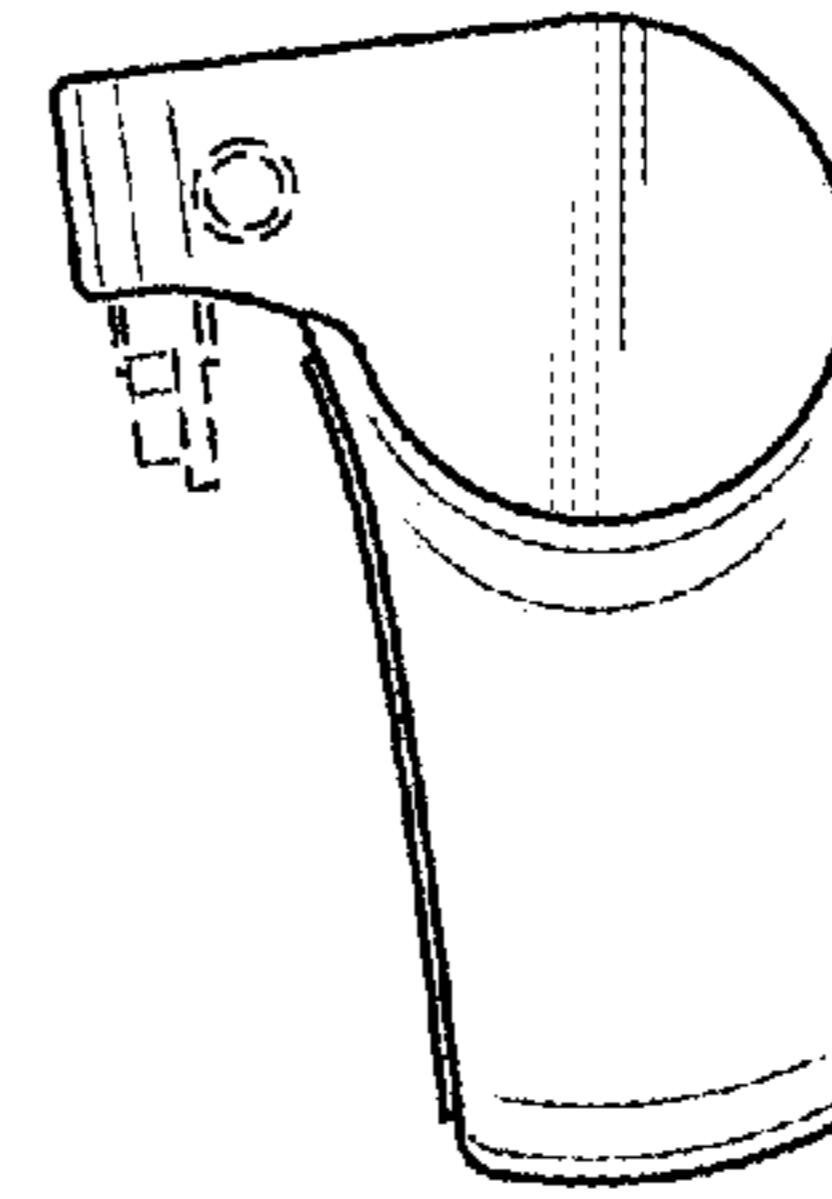


FIG. 5

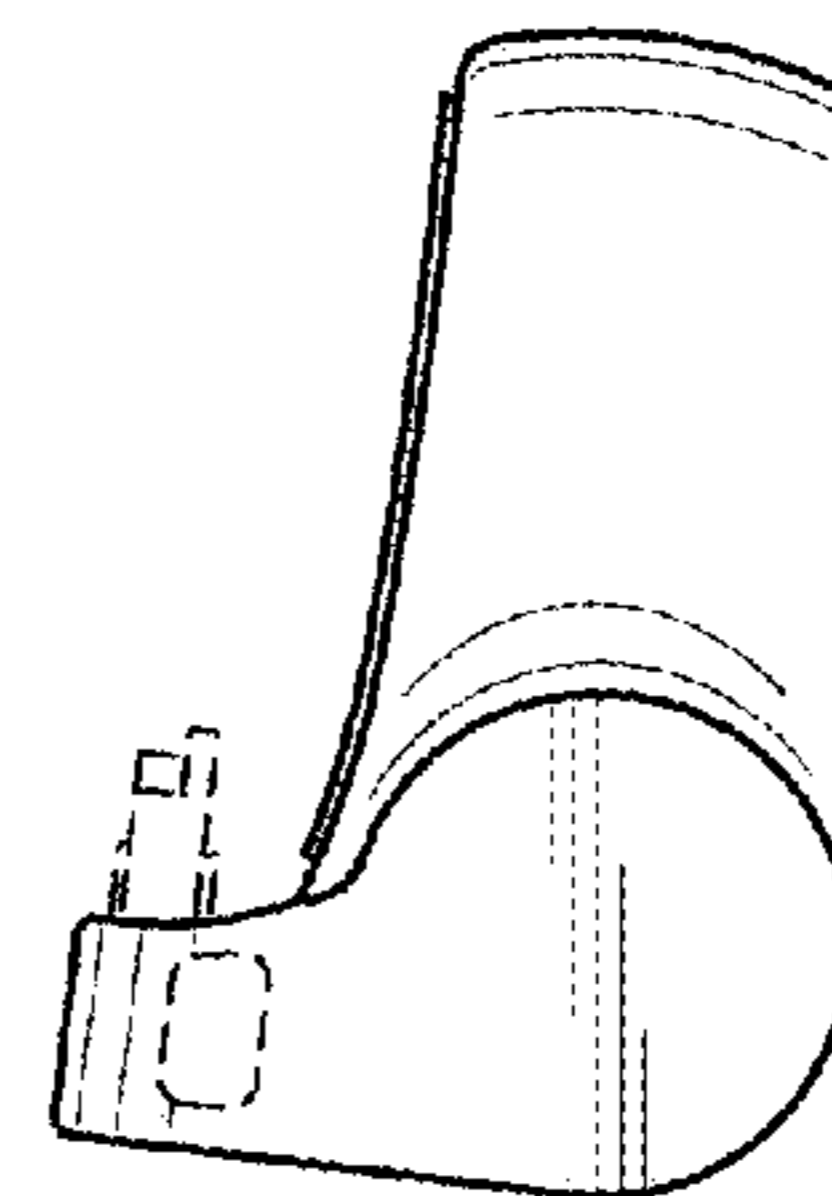


FIG. 4

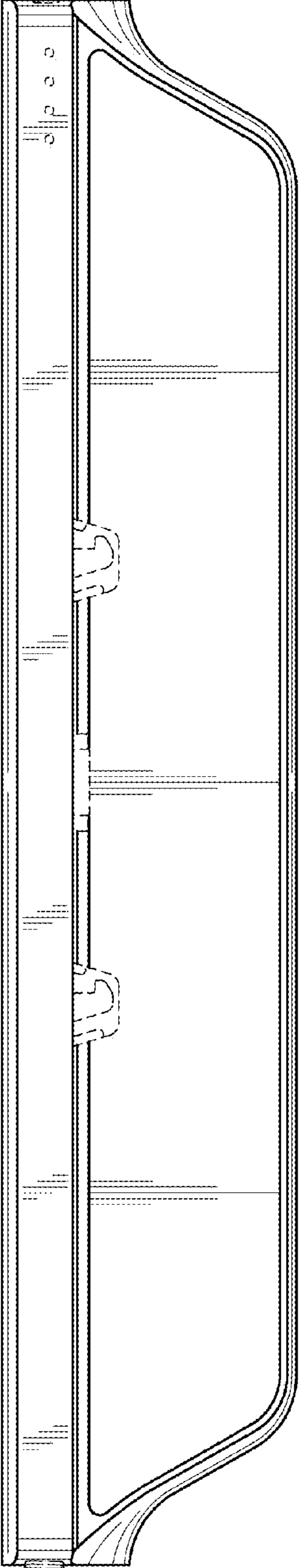


FIG. 6

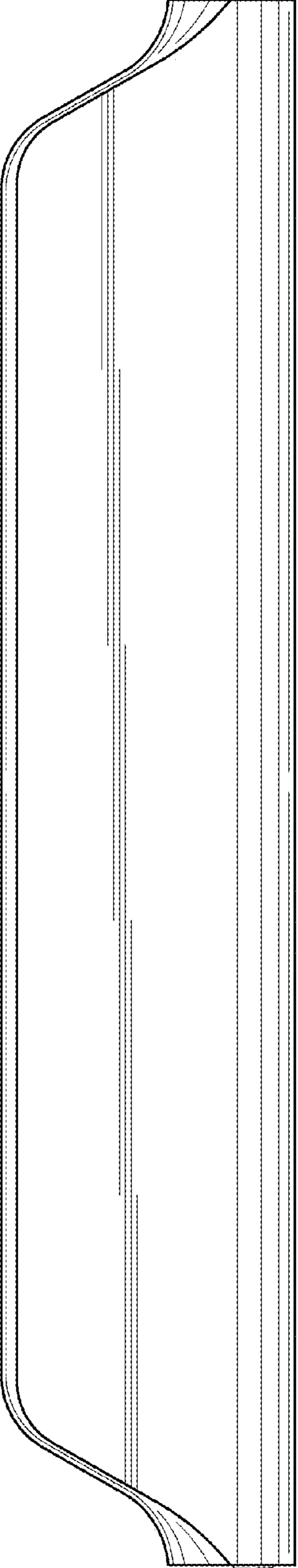


FIG. 7

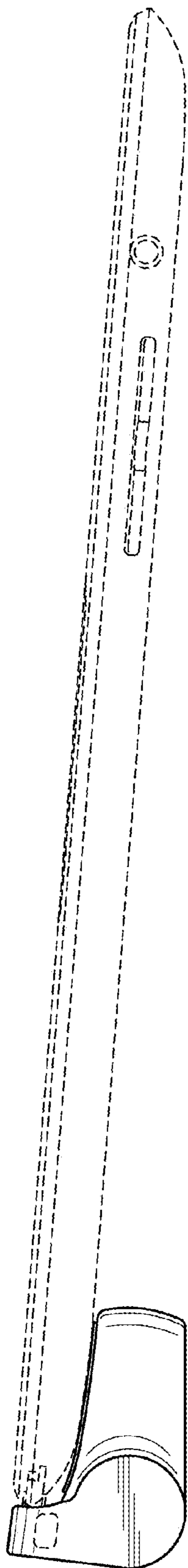


FIG. 8