



US00D705716S

(12) **United States Design Patent**
Newman

(10) **Patent No.:** **US D705,716 S**
(45) **Date of Patent:** **** May 27, 2014**

(54) **VEHICLE MOUNTED NOVELTY ITEM**

(71) Applicant: **Jeffrey A. Newman**, Fort Lauderdale,
FL (US)

(72) Inventor: **Jeffrey A. Newman**, Fort Lauderdale,
FL (US)

(**) Term: **14 Years**

(21) Appl. No.: **29/462,024**

(22) Filed: **Jul. 30, 2013**

(51) **LOC (10) Cl.** **12-16**

(52) **U.S. Cl.**
USPC **D12/400**

(58) **Field of Classification Search**
USPC D12/400, 82-83, 197, 199, 421, 196,
D12/210, 223, 190; 40/218;
D29/101.1-101.5

See application file for complete search history.

(56) **References Cited**

U.S. PATENT DOCUMENTS

3,440,748	A	4/1969	Hackley	
D248,651	S	7/1978	Zivica	
4,667,428	A	5/1987	Elmer	
4,671,004	A	6/1987	Berg	
D295,390	S *	4/1988	Maddox et al.	D11/133
D367,350	S *	2/1996	Sigal	D99/37
5,549,939	A	8/1996	Ray	
5,549,940	A	8/1996	Noone	
D401,193	S *	11/1998	Julian	D12/162
D406,461	S *	3/1999	Aliff	D3/270
5,939,155	A	8/1999	Voznick et al.	
D420,670	S *	2/2000	Hernandez et al.	D14/232
D502,523	S *	3/2005	Orphan et al.	D21/831
D506,413	S *	6/2005	Puett, III	D11/172

D546,998	S *	7/2007	Nunes	D26/73
D591,666	S *	5/2009	Valeri	D12/400
D631,277	S *	1/2011	Curtis	D6/588
D663,663	S *	7/2012	Perez	D12/193
D677,204	S *	3/2013	Perez	D12/193
D695,899	S *	12/2013	Dutschmann	D24/158
2009/0084009	A1	4/2009	Vandergriff et al.	
2012/0229640	A1	9/2012	Angel	

* cited by examiner

Primary Examiner — Katrina A Betton

(74) *Attorney, Agent, or Firm* — Mark D. Bowen; Malin
Haley DiMaggio & Bowen, P.A.

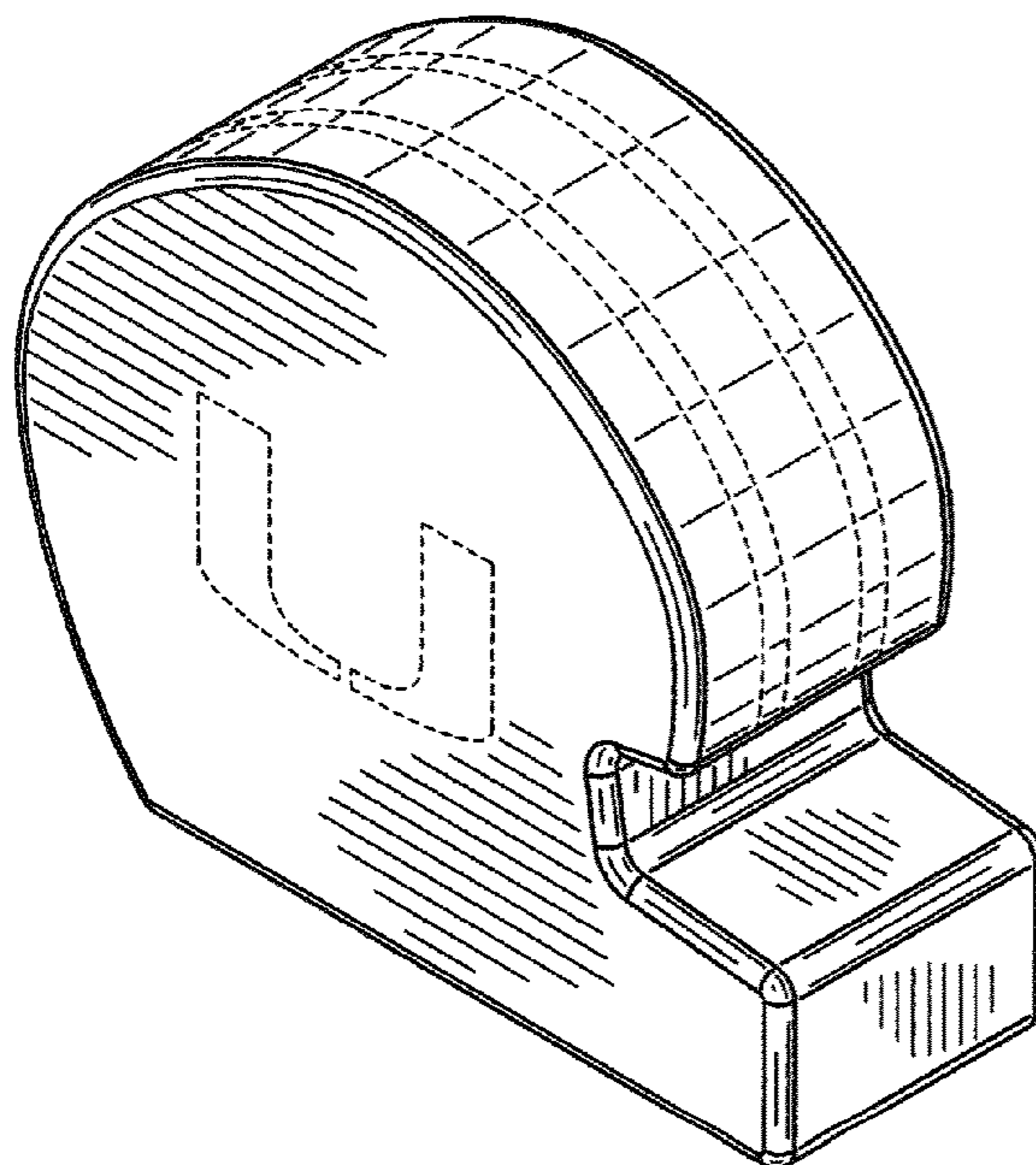
(57) **CLAIM**

The ornamental design for a vehicle mounted novelty item, as shown and described.

DESCRIPTION

FIG. 1 is a top front perspective view of a vehicle mounted novelty item in accordance with the present invention; FIG. 2 is a bottom rear perspective view thereof; FIG. 3 is a right side view thereof; FIG. 4 is a left side view thereof; FIG. 5 is a front view thereof; FIG. 6 is a rear view thereof; FIG. 7 is a top view thereof; FIG. 8 is a bottom view thereof; and, FIG. 9 is a top perspective view of a vehicle work piece having a vehicle mounted novelty item in accordance with the present invention mounted thereon. The purpose of the broken lines is to illustrate possible graphics, mounting structure, and environmental structure that form no part of the claimed design.

1 Claim, 5 Drawing Sheets



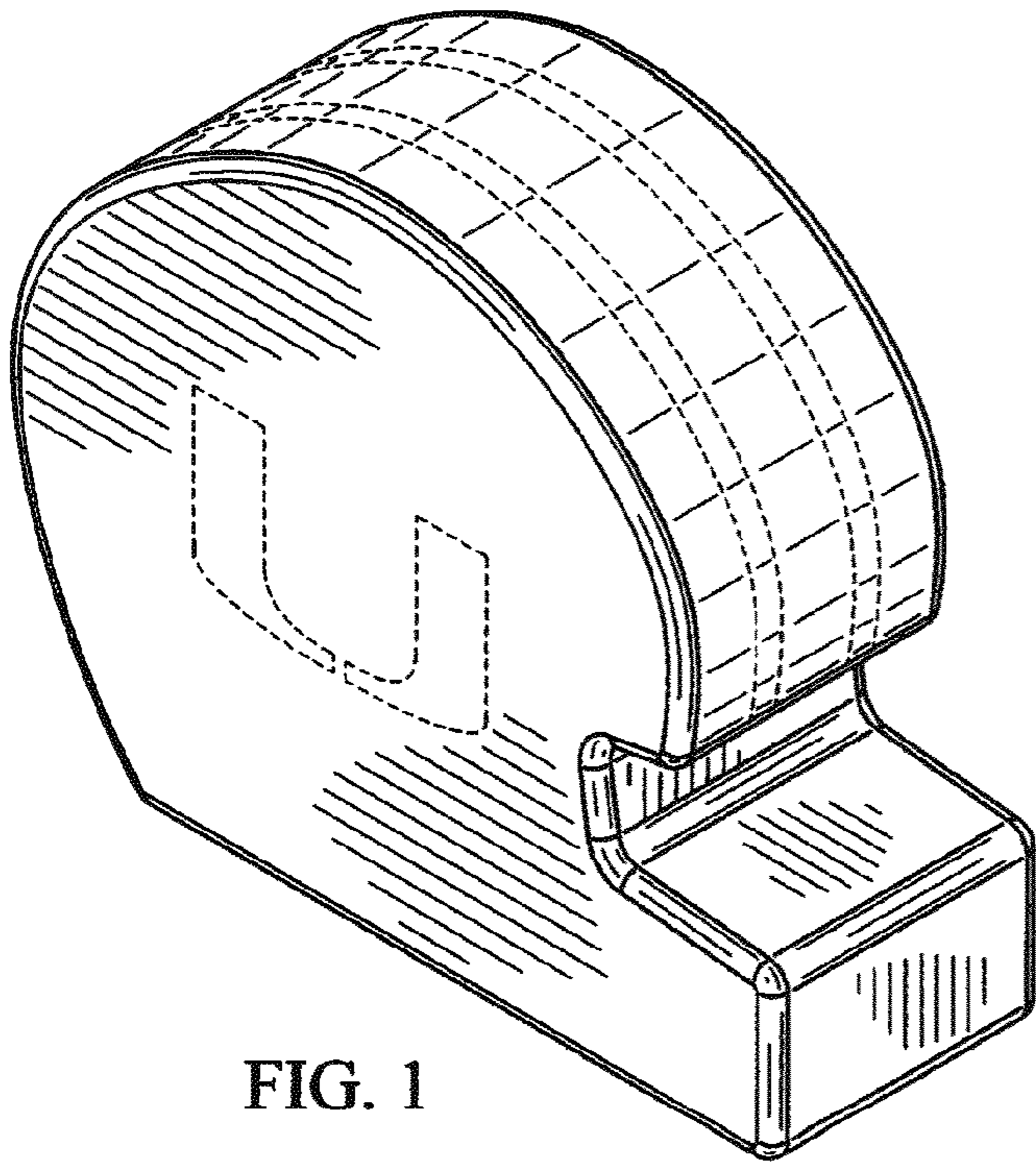


FIG. 1

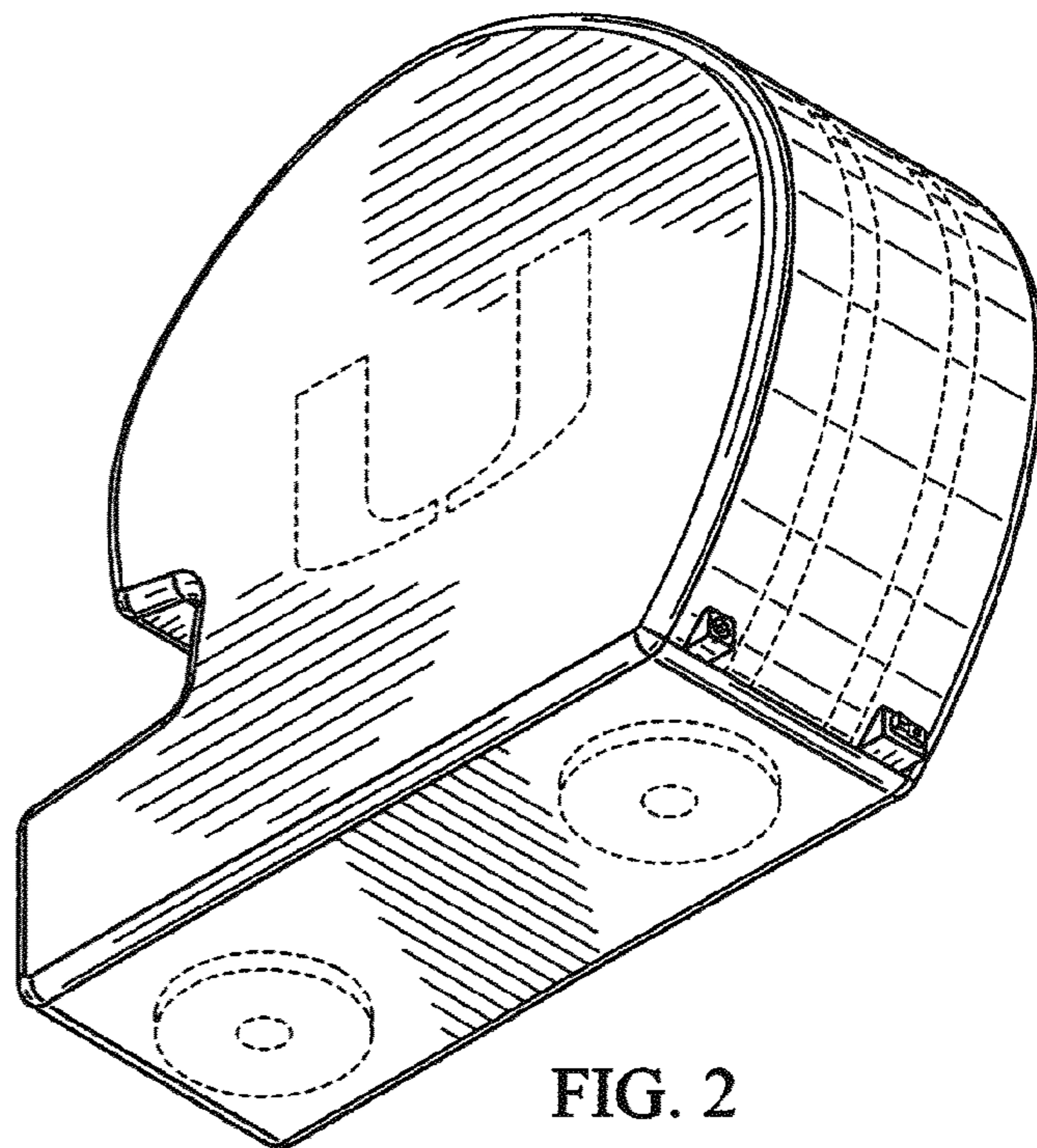


FIG. 2

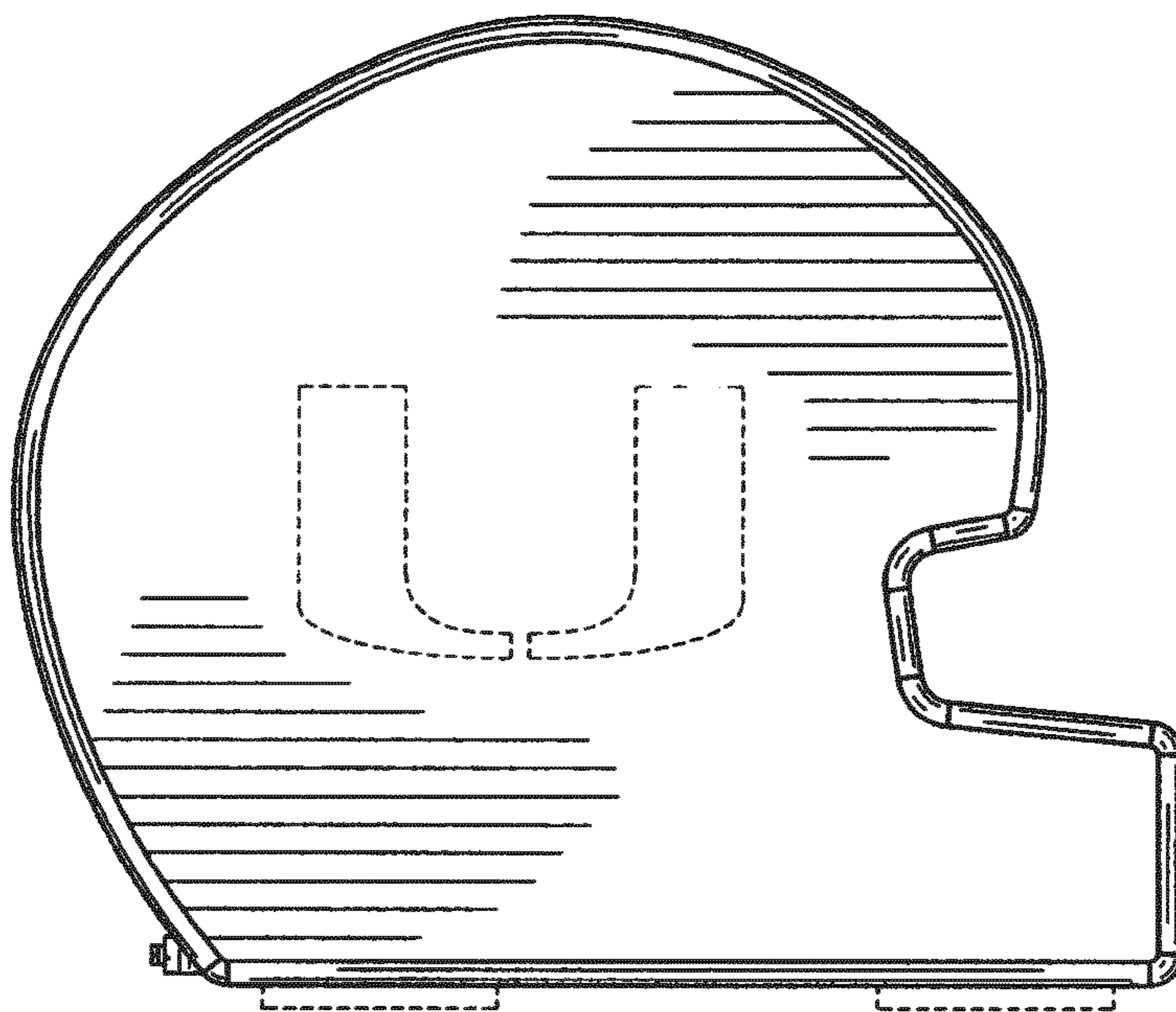


FIG. 3

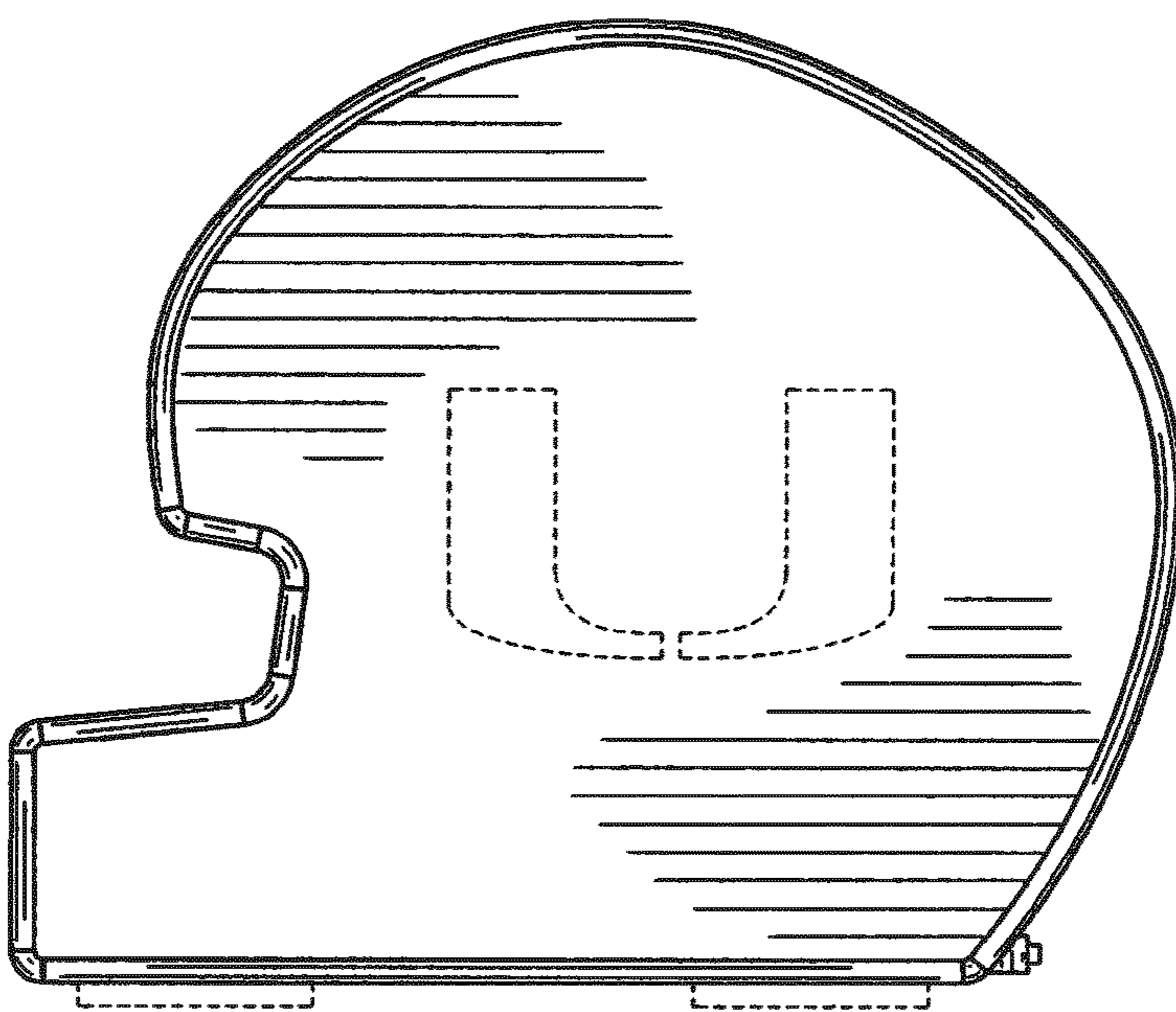


FIG. 4

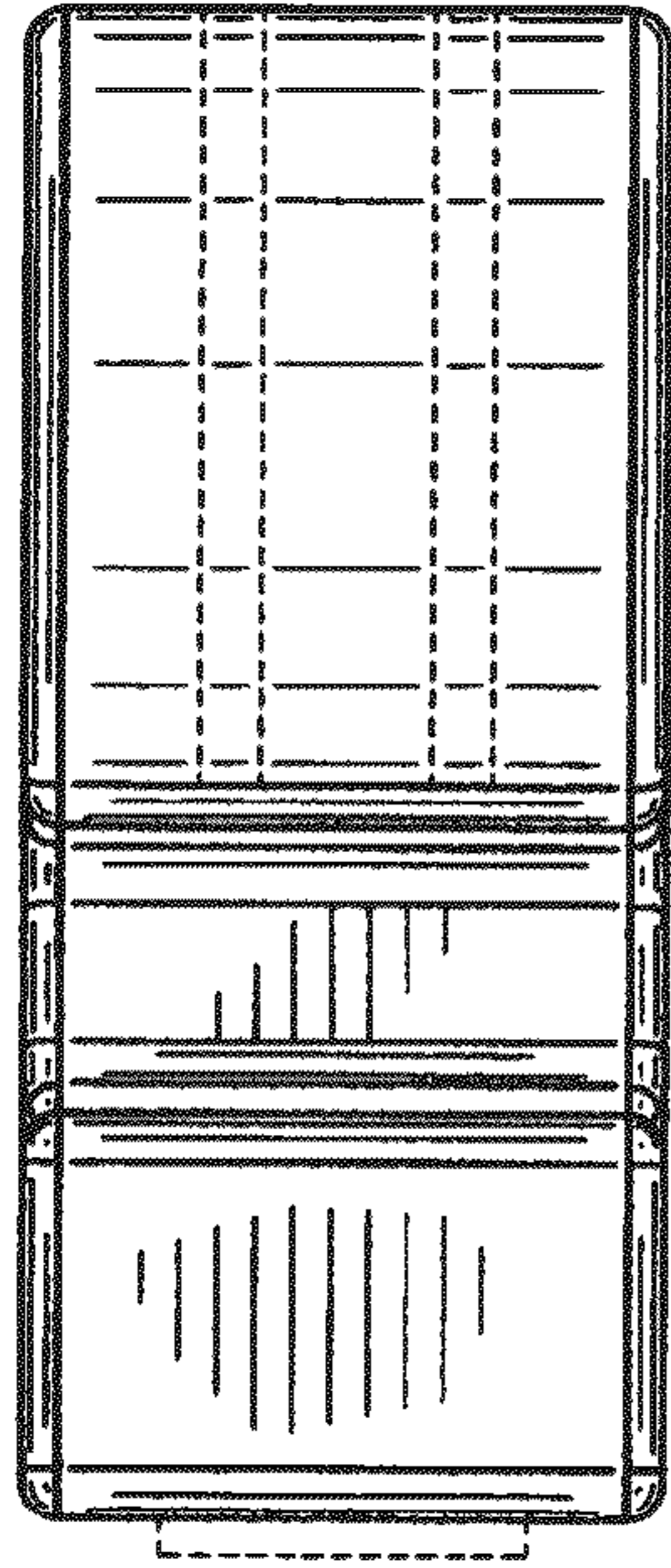


FIG. 5

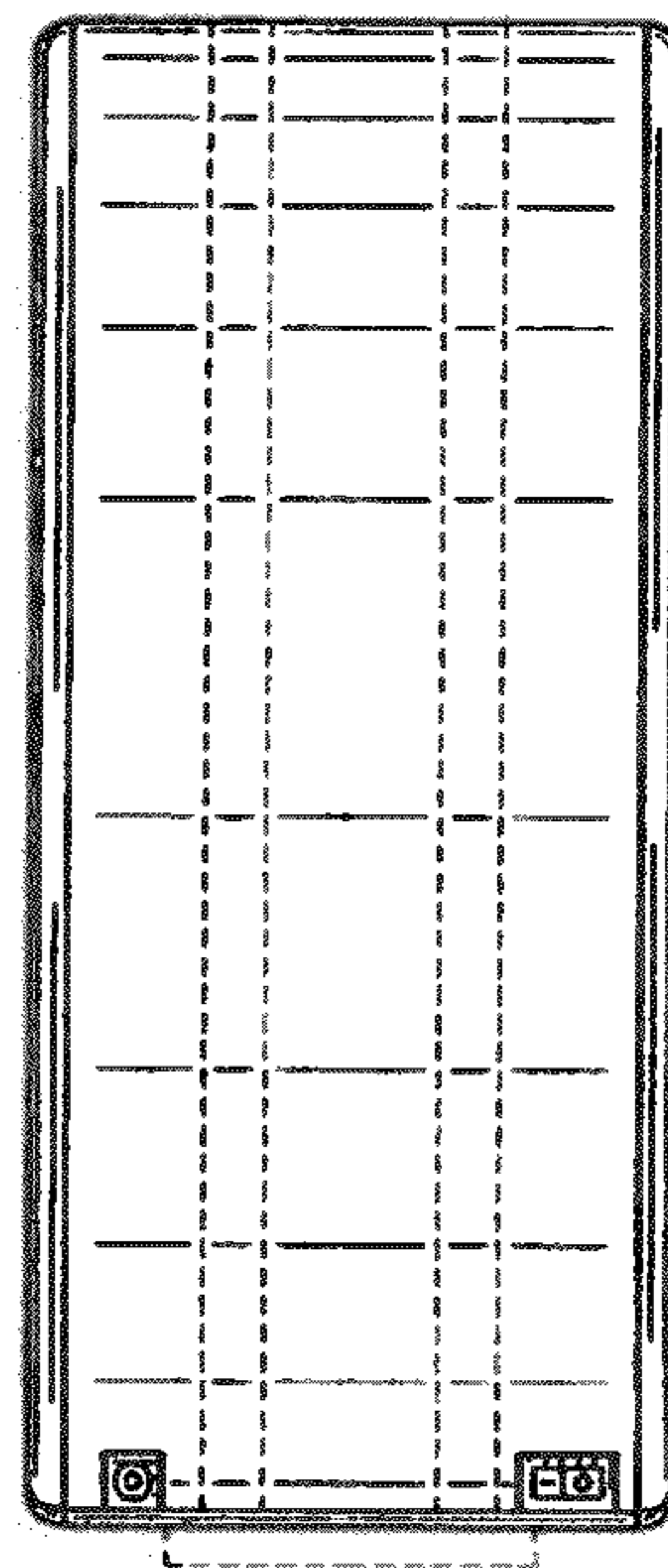


FIG. 6

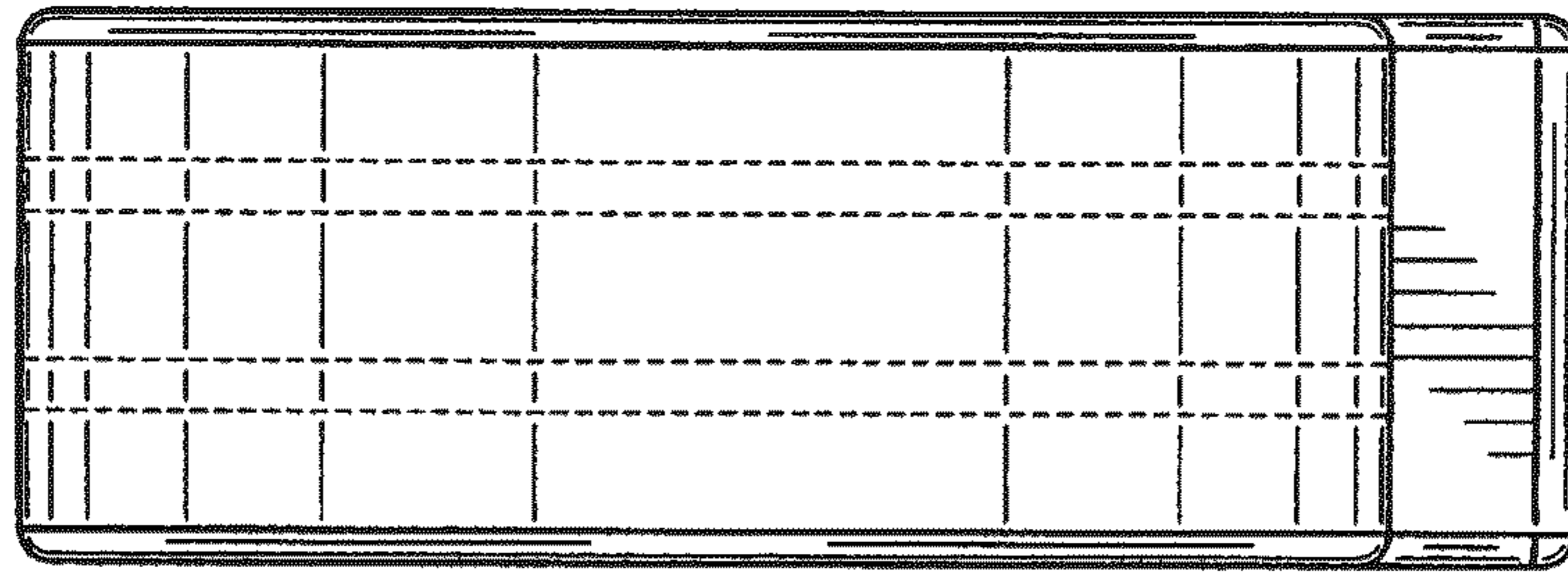


FIG. 7

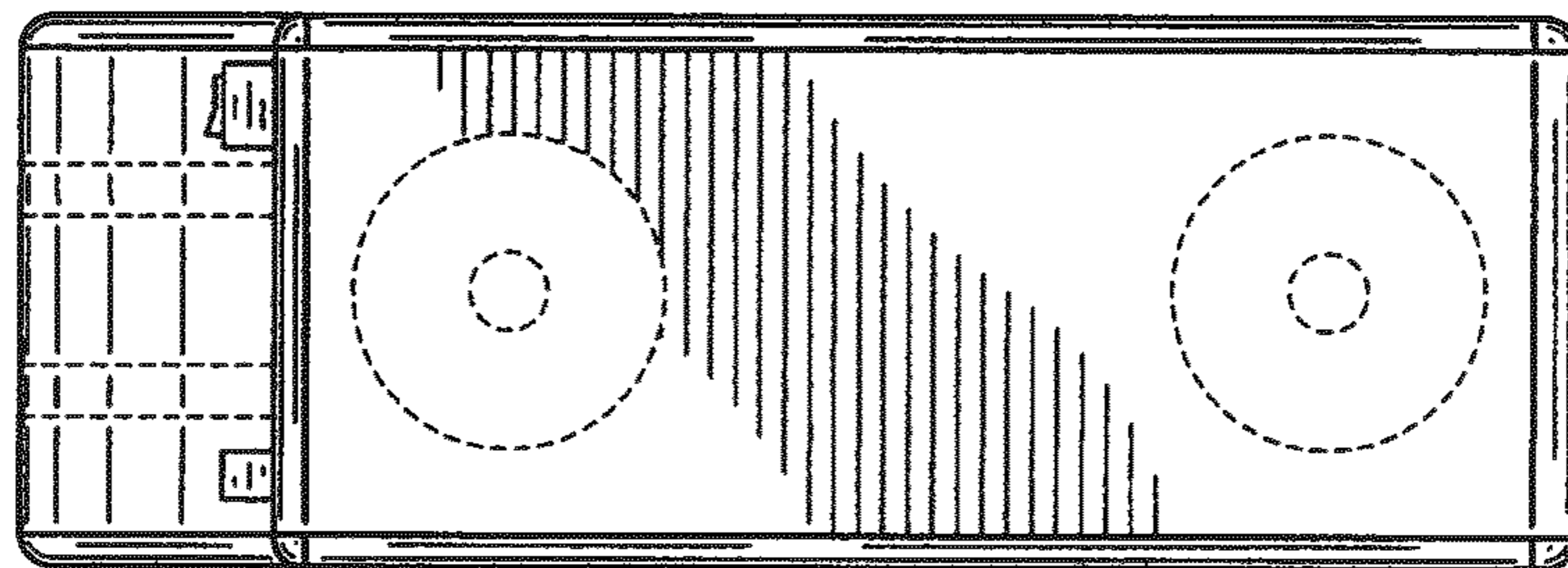


FIG. 8

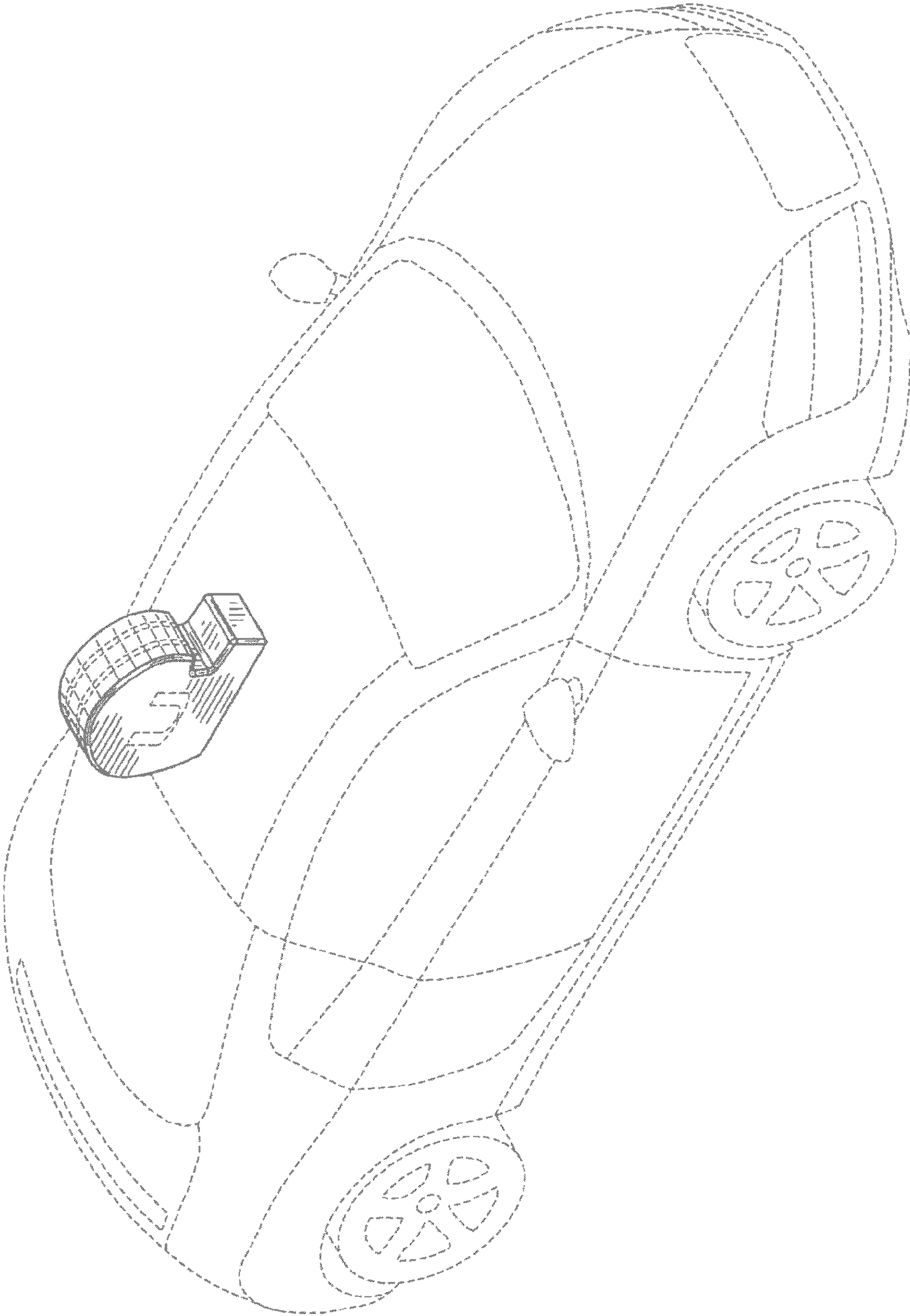


FIG. 9