



US00D705713S

(12) **United States Design Patent**  
**Wagener**

(10) **Patent No.:** **US D705,713 S**

(45) **Date of Patent:** **\*\* May 27, 2014**

(54) **WHEEL OR WHEEL COVER**

(71) Applicant: **Daimler AG**, Stuttgart (DE)

(72) Inventor: **Gorden Wagener**, Gaeufelden (DE)

(73) Assignee: **Daimler AG**, Stuttgart (DE)

(\*\*) Term: **14 Years**

(21) Appl. No.: **29/471,387**

(22) Filed: **Oct. 31, 2013**

(30) **Foreign Application Priority Data**

May 8, 2013 (WO) ..... DM/081 008

(51) **LOC (10) Cl.** ..... **12-16**

(52) **U.S. Cl.**  
USPC ..... **D12/209**

(58) **Field of Classification Search**  
USPC ..... D12/204-213; 301/37.101, 64.101, 65,  
301/64.201  
See application file for complete search history.

(56) **References Cited**

**U.S. PATENT DOCUMENTS**

D403,648 S \* 1/1999 Feriero ..... D12/209  
D436,907 S \* 1/2001 Ong ..... D12/209  
D451,466 S \* 12/2001 Fujii ..... D12/211

D505,371 S \* 5/2005 Hueller ..... D12/209  
D527,331 S \* 8/2006 Aoki ..... D12/211  
D538,215 S \* 3/2007 Laengerer et al. .... D12/209  
D574,310 S \* 8/2008 Huet ..... D12/209  
D593,477 S \* 6/2009 Chen et al. .... D12/211  
D623,110 S \* 9/2010 Juergens et al. .... D12/209  
D624,476 S \* 9/2010 Goto et al. .... D12/209  
D649,504 S \* 11/2011 Platto et al. .... D12/209  
D658,103 S \* 4/2012 Choe et al. .... D12/209  
D667,355 S \* 9/2012 Gotschke ..... D12/209  
D669,011 S \* 10/2012 Chung ..... D12/211  
D673,094 S \* 12/2012 Behmer et al. .... D12/209  
D690,248 S \* 9/2013 Bildhaeuser ..... D12/209  
D694,165 S \* 11/2013 Chinavare ..... D12/209

\* cited by examiner

*Primary Examiner* — Stacia Cadmus

(74) *Attorney, Agent, or Firm* — Crowell & Moring LLP

(57) **CLAIM**

The ornamental design for a wheel or wheel cover, as shown and described.

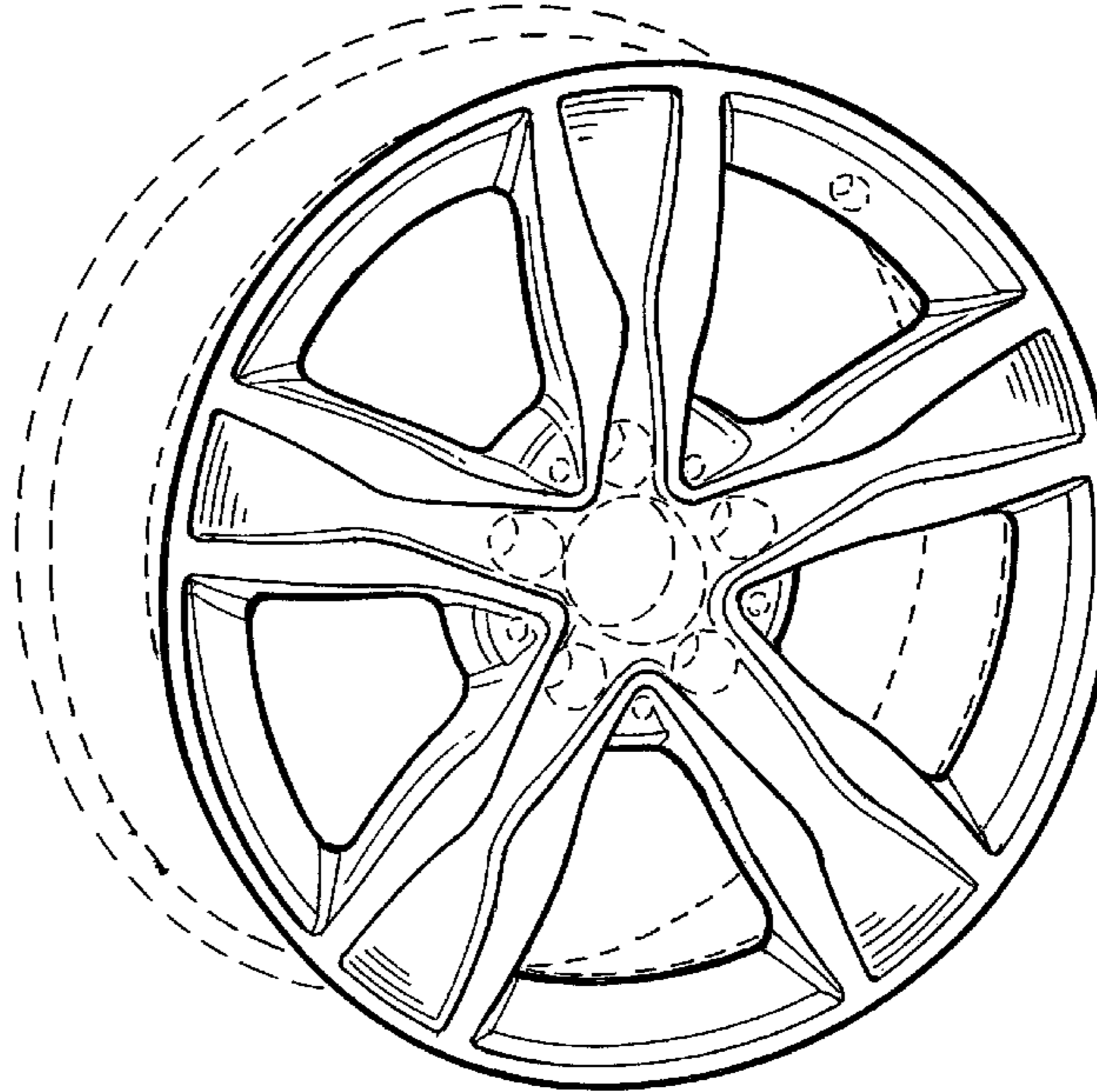
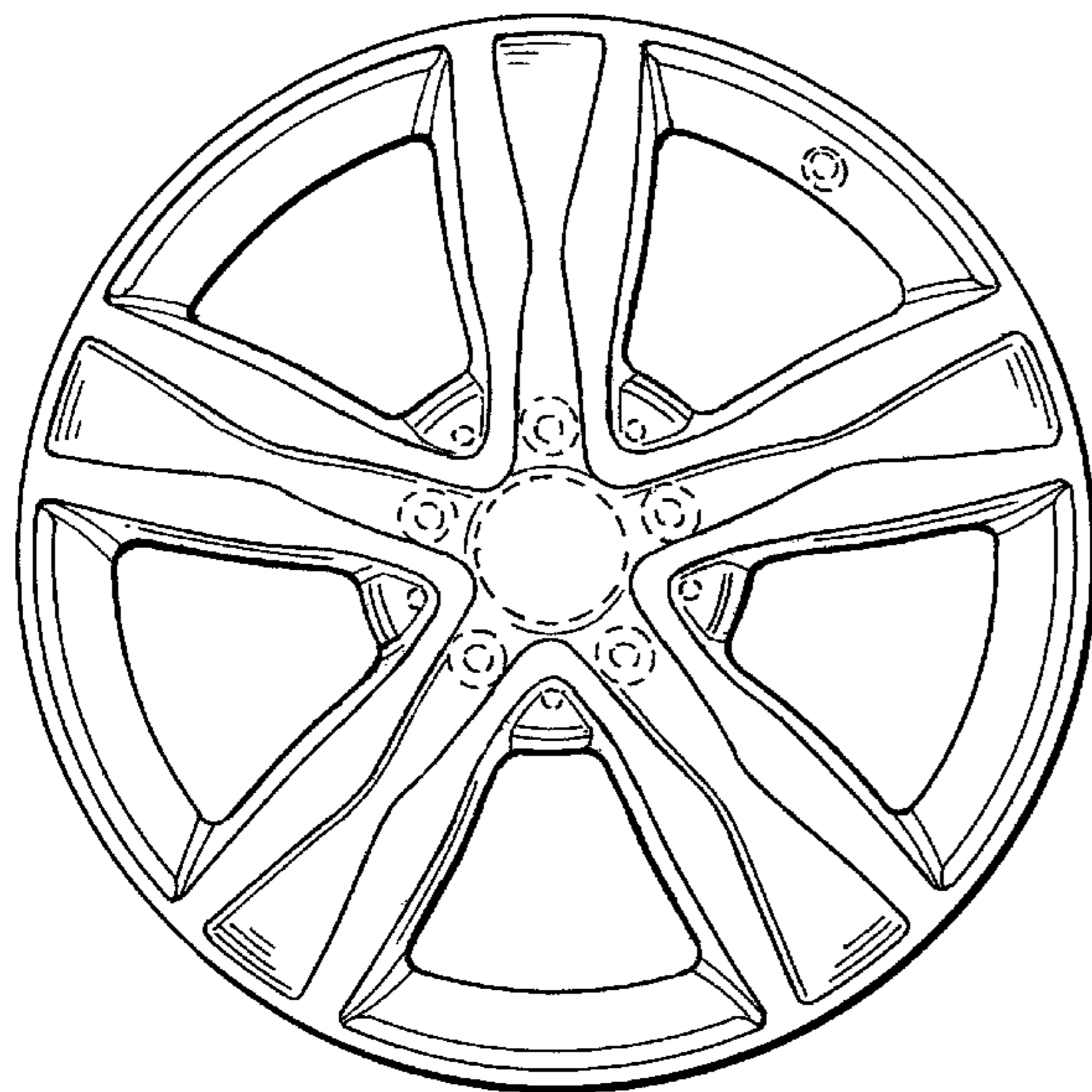
**DESCRIPTION**

FIG. 1 is a front view of a wheel or wheel cover according to the design; and,

FIG. 2 is a perspective view thereof.

The broken line showing of the rear of the wheel, the hole for the valve stem, the bolt holes and center cap in the central hub area is included for the purpose of illustrating environment and forms no part of the claimed design.

**1 Claim, 1 Drawing Sheet**



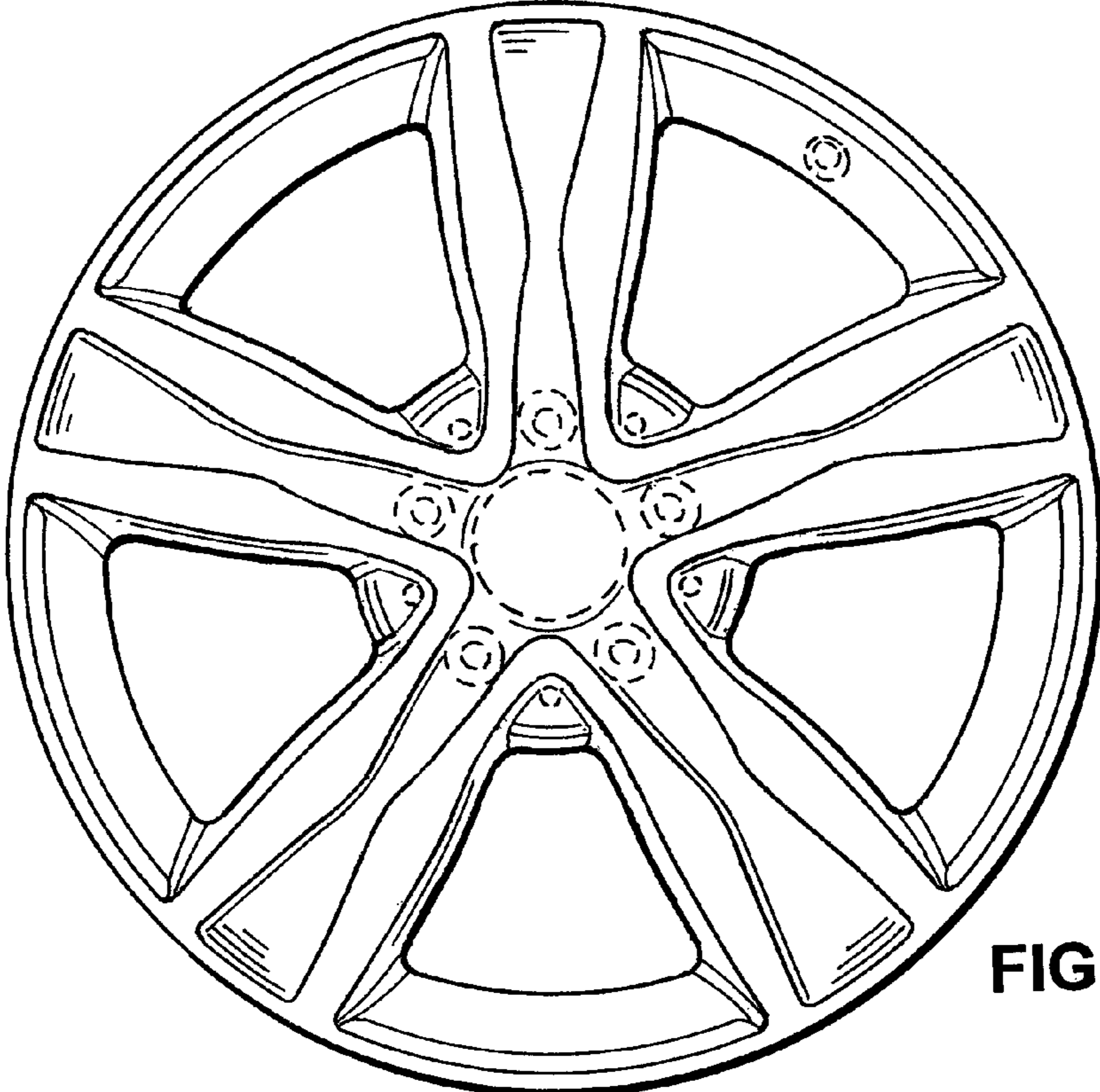


FIG. 1

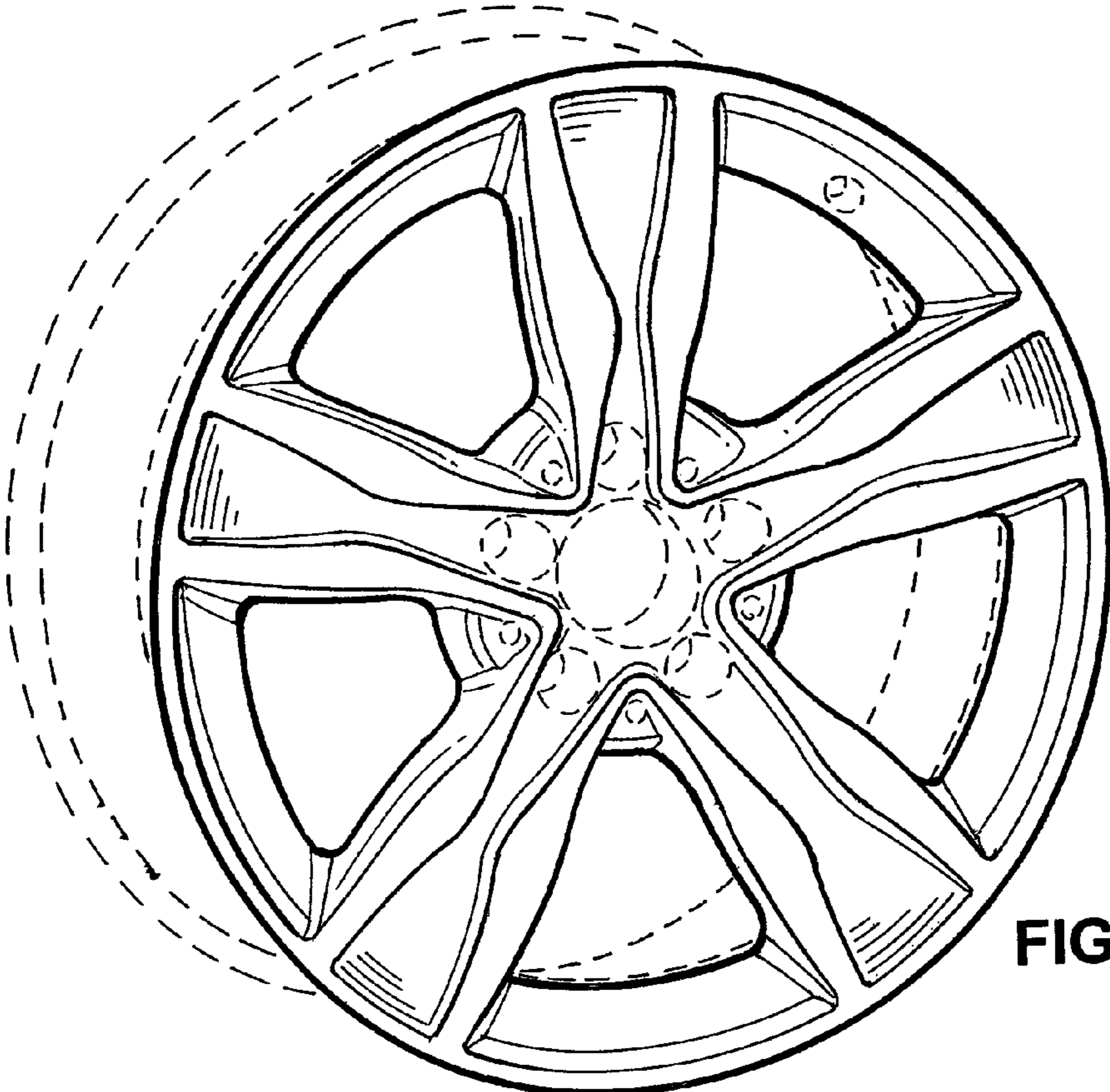


FIG. 2