



US00D705711S

(12) **United States Design Patent**
Yamamoto

(10) **Patent No.:** **US D705,711 S**
(45) **Date of Patent:** **** May 27, 2014**

(54) **INSTRUMENT PANEL FOR AN
AUTOMOBILE**

D577,640 S * 9/2008 Wyszogrod et al. D12/192
D604,217 S * 11/2009 Kabayama D12/192
D653,185 S * 1/2012 Senda et al. D12/192
D656,074 S * 3/2012 Ohmori et al. D12/192

(71) Applicant: **Toyota Jidosha Kabushiki Kaisha,**
Toyota (JP)

(72) Inventor: **Kei Yamamoto,** Toyota (JP)

(73) Assignee: **Toyota Jidosha Kabushiki Kaisha** (JP)

(**) Term: **14 Years**

(21) Appl. No.: **29/449,371**

(22) Filed: **Mar. 15, 2013**

(51) **LOC (10) Cl.** **12-16**

(52) **U.S. Cl.**
USPC **D12/192**

(58) **Field of Classification Search**
USPC D12/192, 415, 110, 114; 180/90;
280/750-752; 296/190.01-190.09,
296/191, 70; D15/17, 28; D10/46, 98,
D10/102-103, 122-127

See application file for complete search history.

(56) **References Cited**

U.S. PATENT DOCUMENTS

D413,095 S * 8/1999 Abalos et al. D12/192
D470,807 S * 2/2003 Wyszogrod et al. D12/192
D519,893 S * 5/2006 Kabayama et al. D12/192
D549,628 S * 8/2007 Esaki et al. D12/192
D567,162 S * 4/2008 Motozaki et al. D12/192
D567,727 S * 4/2008 Kawaguchi et al. D12/192

OTHER PUBLICATIONS

“Lexus CT200h no Subete,” translated “All of Lexus CT200h,”
ISBN: 978-4779611438, published Jan. 25, 2011 by Sanei Shobo.
BMW X5, “Kokusan & Yunyu SUV no Subete 2011-2012,” trans-
lated “All of Domestically-produced and Imported SUV 2011-2012,”
ISBN-13: 978-4779612367, published Jul. 9, 2011 by Sanei Shobo.

* cited by examiner

Primary Examiner — Katrina A Betton

(74) *Attorney, Agent, or Firm* — SAIDMAN DesignLaw
Group

(57) **CLAIM**

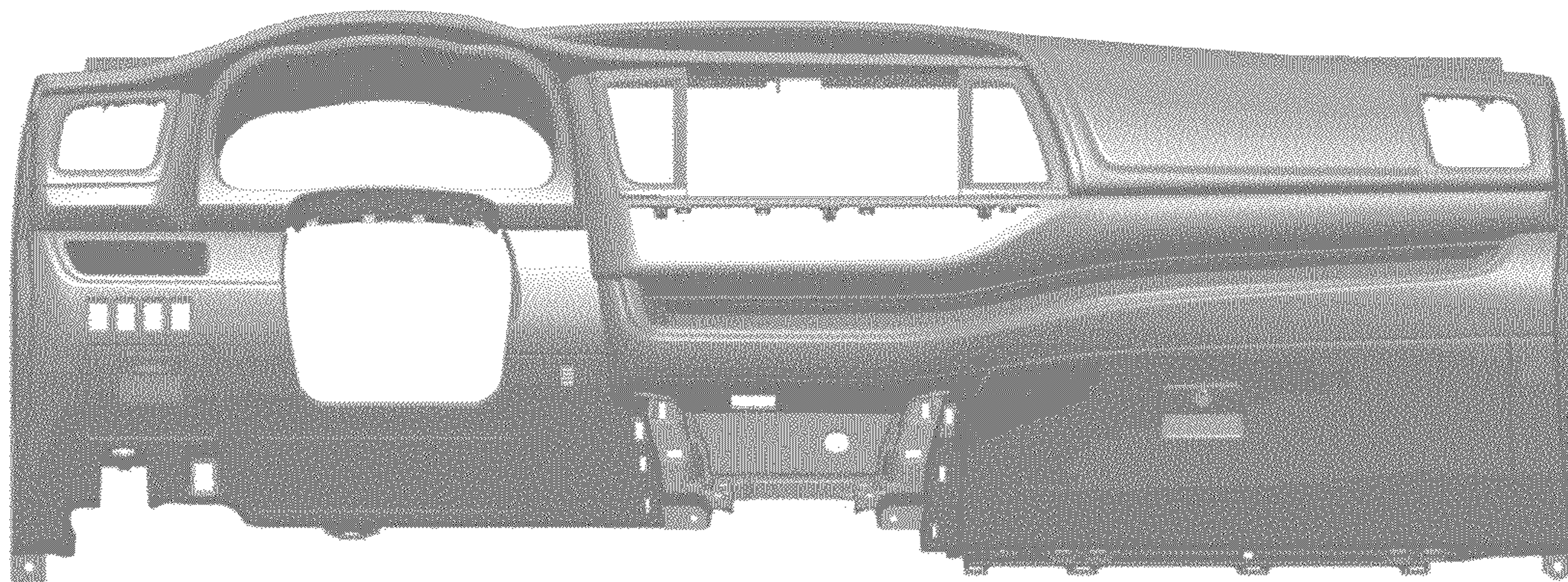
The ornamental design for an instrument panel for an auto-
mobile, as shown and described.

DESCRIPTION

FIG. 1 is a front, perspective view of an instrument panel for
an automobile showing my new design;
FIG. 2 is a front view thereof;
FIG. 3 is a rear view thereof;
FIG. 4 is a top view thereof;
FIG. 5 is a bottom view thereof;
FIG. 6 is a right side view thereof; and,
FIG. 7 is a left side view thereof.

The claimed design is indicated by the relatively dark por-
tions in FIGS. 1-7, while the relatively light portions in FIG.
3 are environmental and form no part of the claimed design.

1 Claim, 2 Drawing Sheets



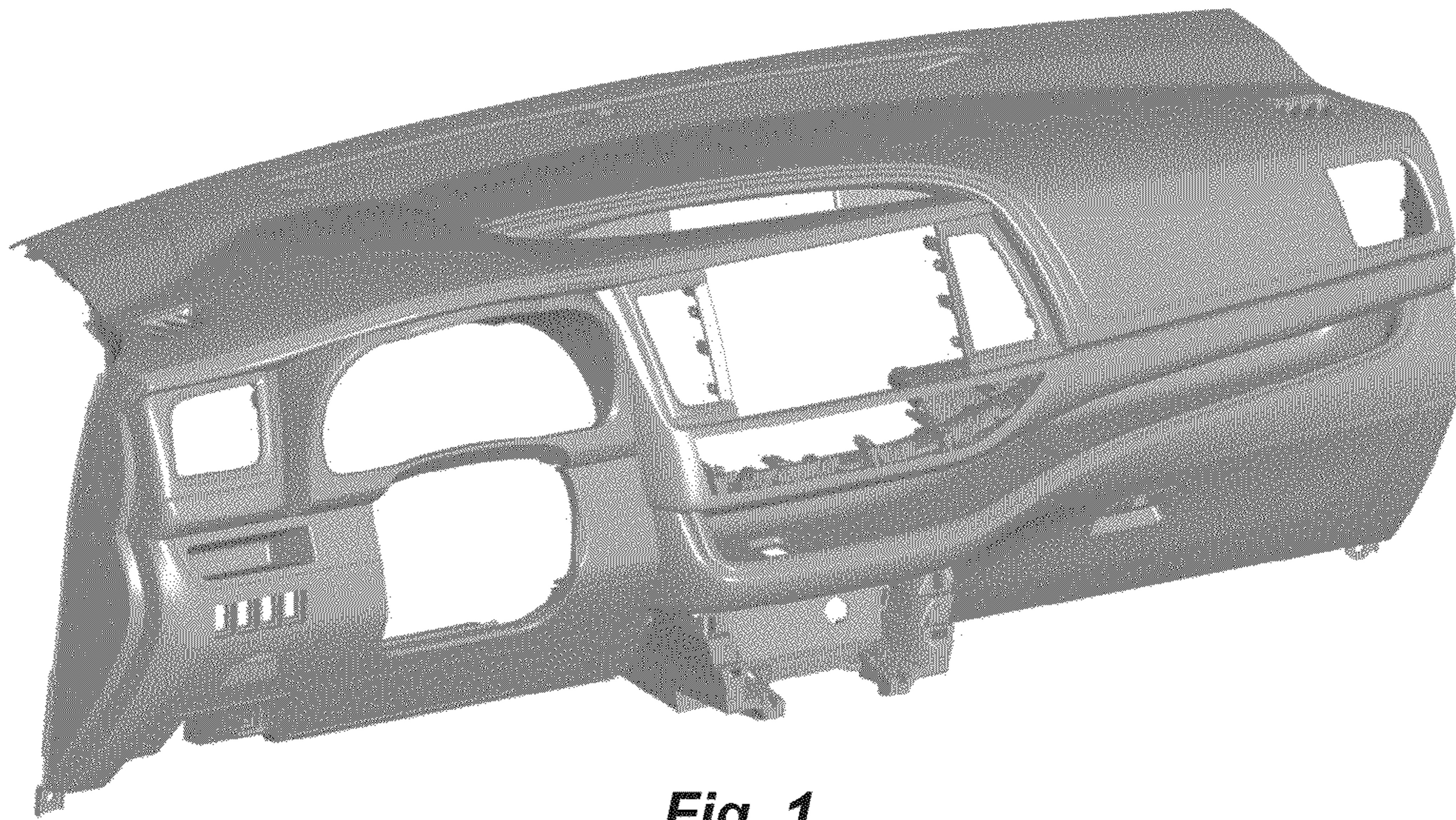


Fig. 1

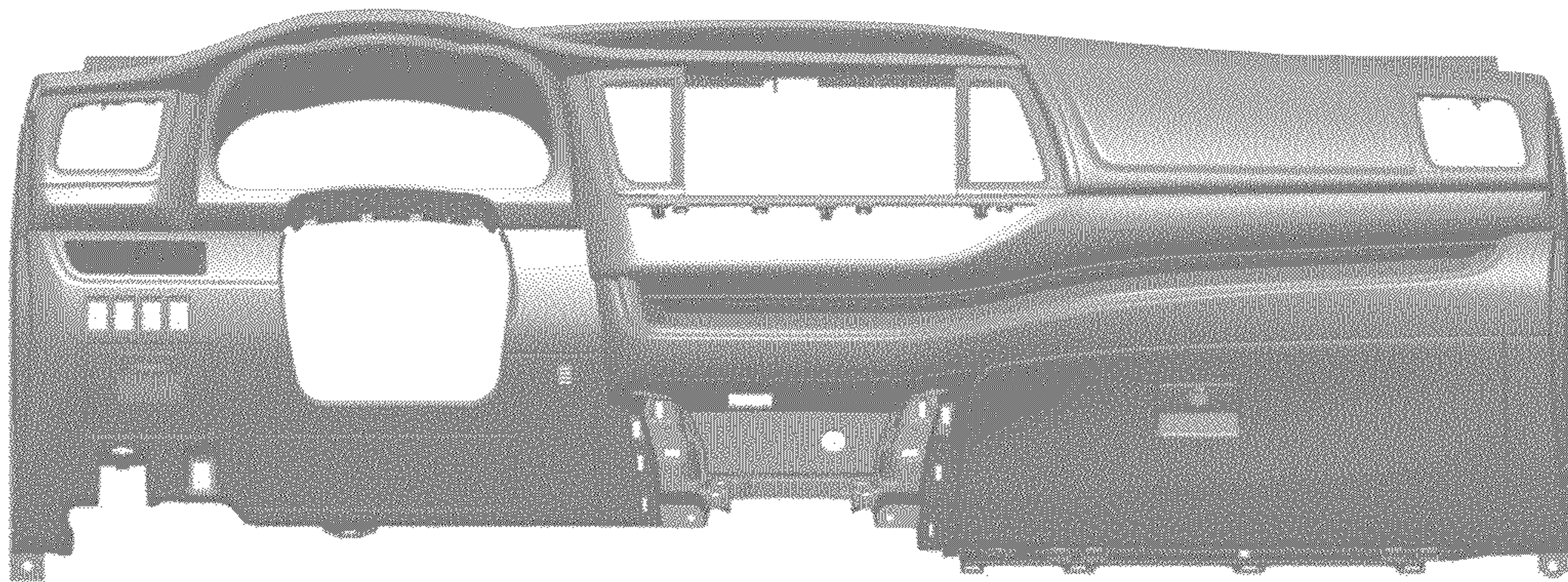


Fig. 2

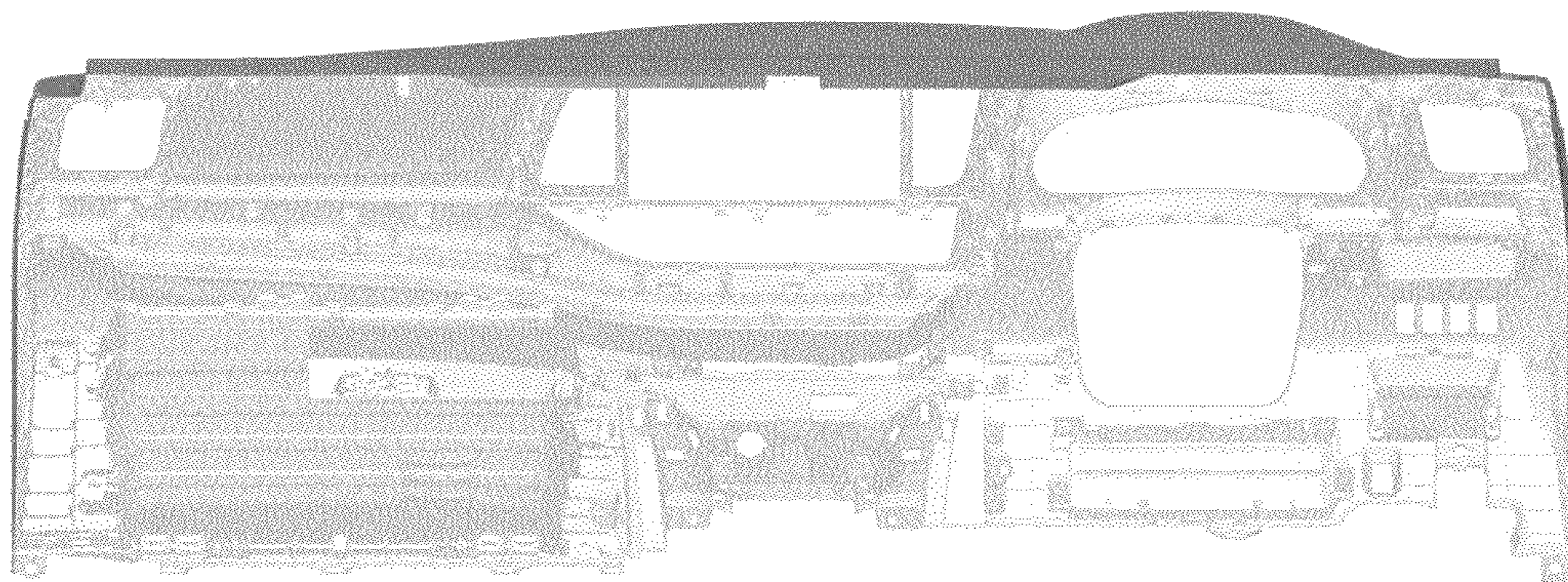


Fig. 3

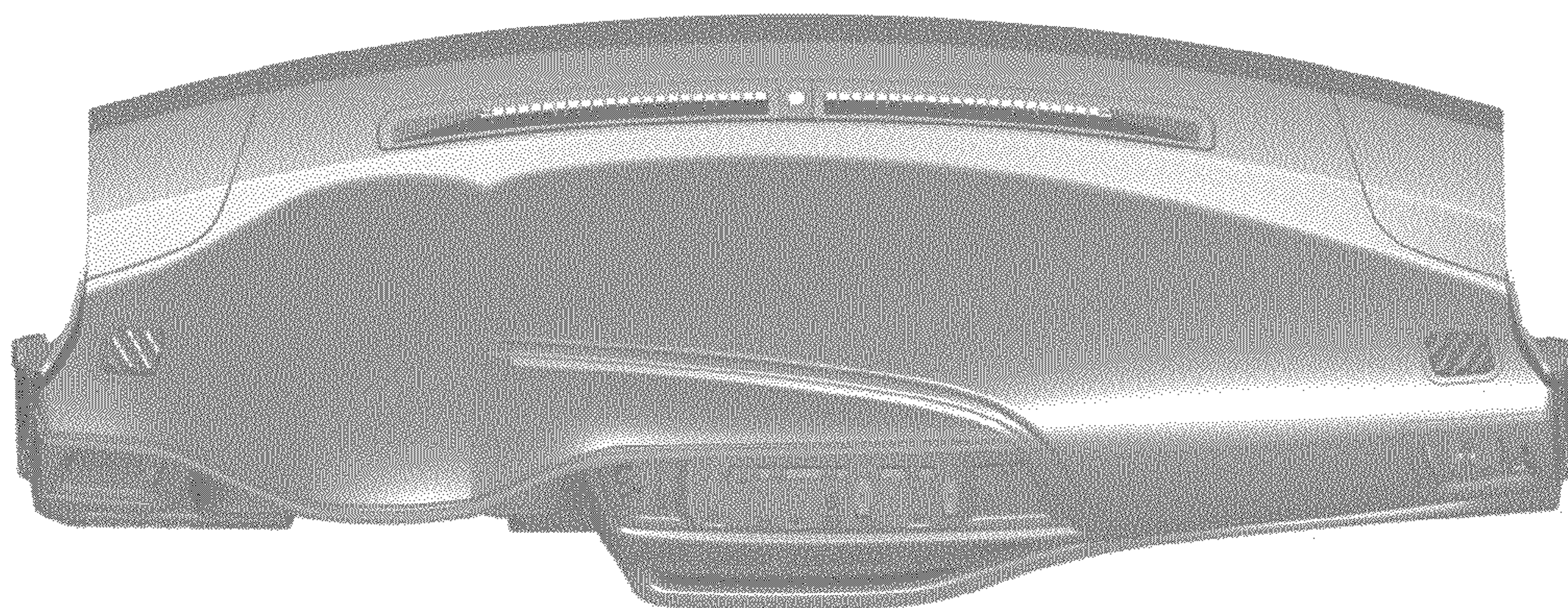


Fig. 4

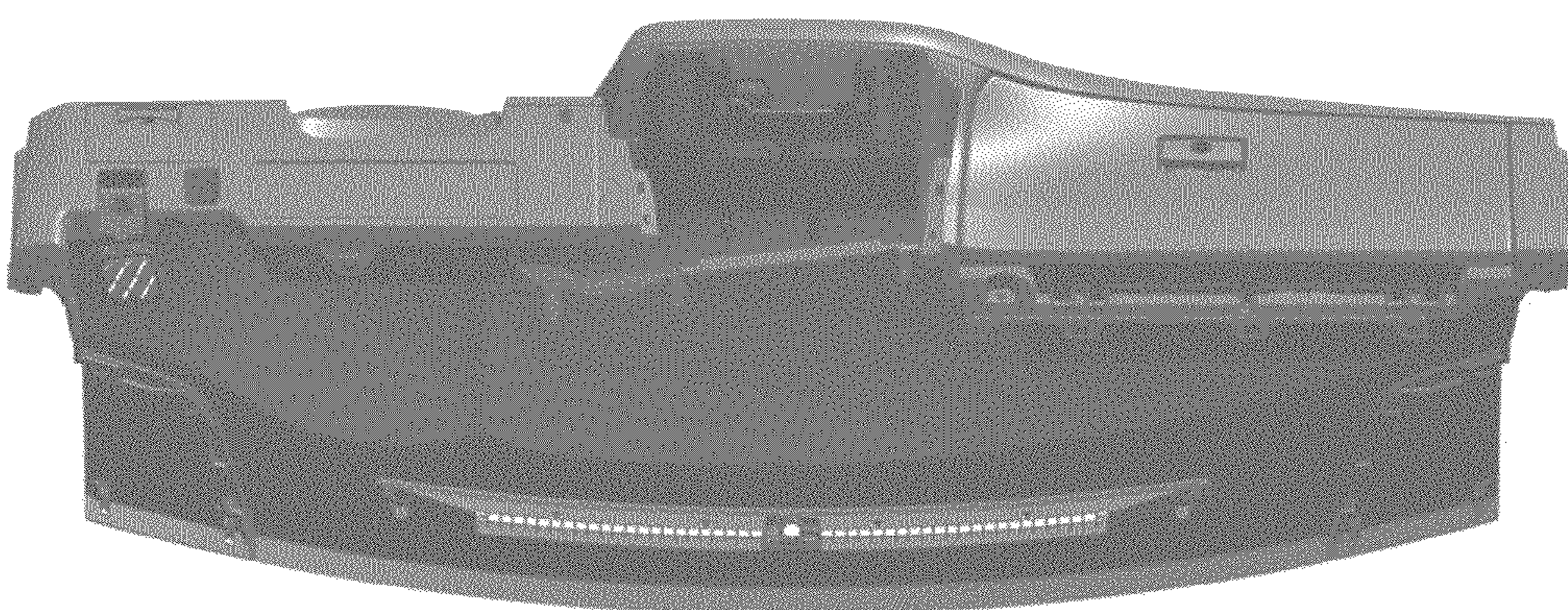


Fig. 5

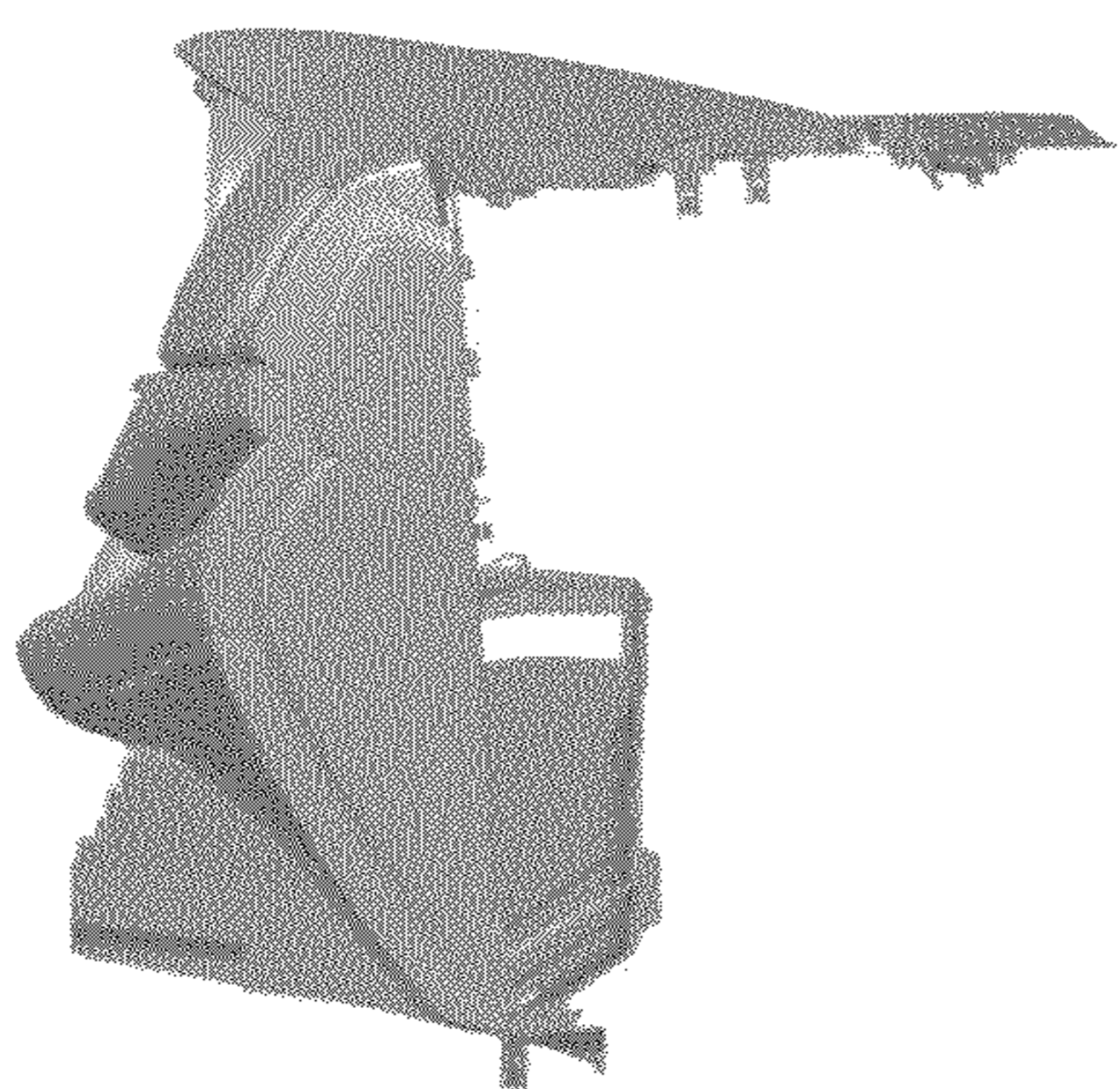


Fig. 6

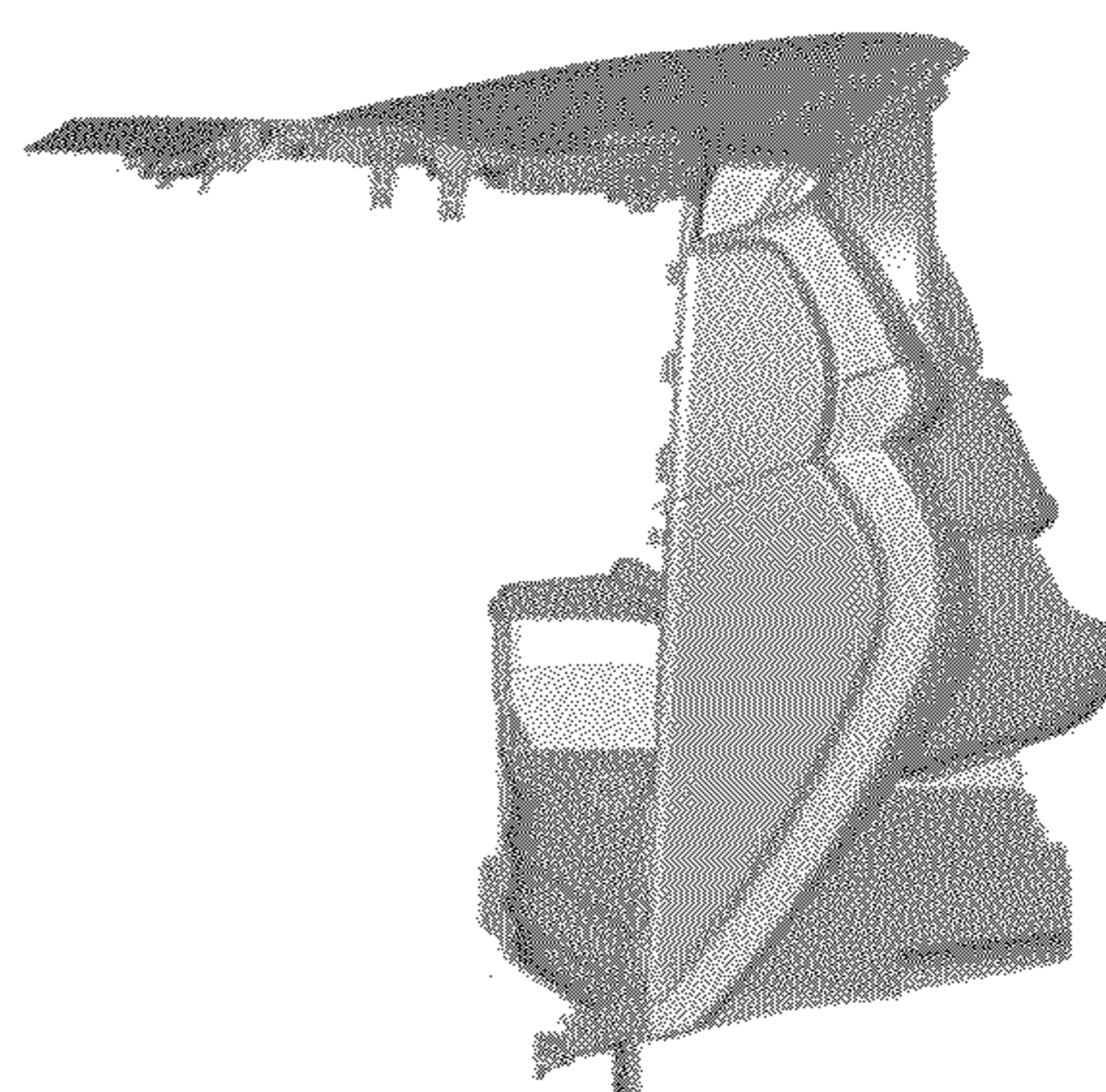


Fig. 7