



US00D705709S

(12) **United States Design Patent**
Hetland

(10) **Patent No.:** **US D705,709 S**

(45) **Date of Patent:** **** May 27, 2014**

(54) **MOTORCYCLE CALIPER BRAKE HOUSING**

(71) Applicant: **Robyn Hetland**, La Palma, CA (US)

(72) Inventor: **Robyn Hetland**, La Palma, CA (US)

(73) Assignee: **Performance Machine, LLC**, La Palma, CA (US)

(**) Term: **14 Years**

(21) Appl. No.: **29/472,155**

(22) Filed: **Nov. 8, 2013**

(51) **LOC (10) Cl.** **12-16**

(52) **U.S. Cl.**
USPC **D12/180**

(58) **Field of Classification Search**
USPC D12/126, 180, 114; 123/184.21;
55/337; D15/5; D23/365, 364;
188/73.31, 74.43, 233.7, 205 A, 73.36
See application file for complete search history.

(56) **References Cited**

U.S. PATENT DOCUMENTS

3,612,226	A *	10/1971	Pauwels et al.	188/73.43
D373,340	S *	9/1996	Sands	D12/180
5,564,534	A *	10/1996	Toyoda et al.	188/345
6,283,255	B1 *	9/2001	Gardner et al.	188/18 A
D491,845	S *	6/2004	Savage	D12/126
7,275,624	B2 *	10/2007	Gogo	188/72.1
2003/0015366	A1 *	1/2003	Buell et al.	180/227
2003/0188938	A1 *	10/2003	Li	188/265
2004/0206587	A1 *	10/2004	Gogo	188/71.1
2005/0134114	A1 *	6/2005	Asahi	303/137
2005/0139434	A1 *	6/2005	Nakaie	188/71.1
2005/0242545	A1 *	11/2005	Czysz	280/276
2007/0138862	A1 *	6/2007	Jensen et al.	303/119.2

2007/0222282	A1 *	9/2007	Thurm et al.	303/9.64
2009/0000883	A1 *	1/2009	Bagnoli	188/18 A
2010/0230199	A1 *	9/2010	Roth et al.	180/219
2012/0325599	A1 *	12/2012	Pozivilko et al.	188/73.31

OTHER PUBLICATIONS

New for 2014, posted at cyril huze blog, posted at Dec. 25th, 2013, [online], [site visited Mar. 13, 2014]. Available from Internet, <URL: <http://cyrilhuzeblog.com/2013/12/29/new-for-2014-vintage-4-piston-calipers-by-performance-machine/>>.*

Front Brake Systems, posted at performance machine, posting date not given, [online], [site visited Mar. 13, 2014]. Available from Internet, <URL: <http://www.performancemachine.com/motorcycle-brake-systems-and-calipers.aspx>>.*

* cited by examiner

Primary Examiner — Eric Goodman

Assistant Examiner — Ryan Harvey

(74) *Attorney, Agent, or Firm* — David Pressman

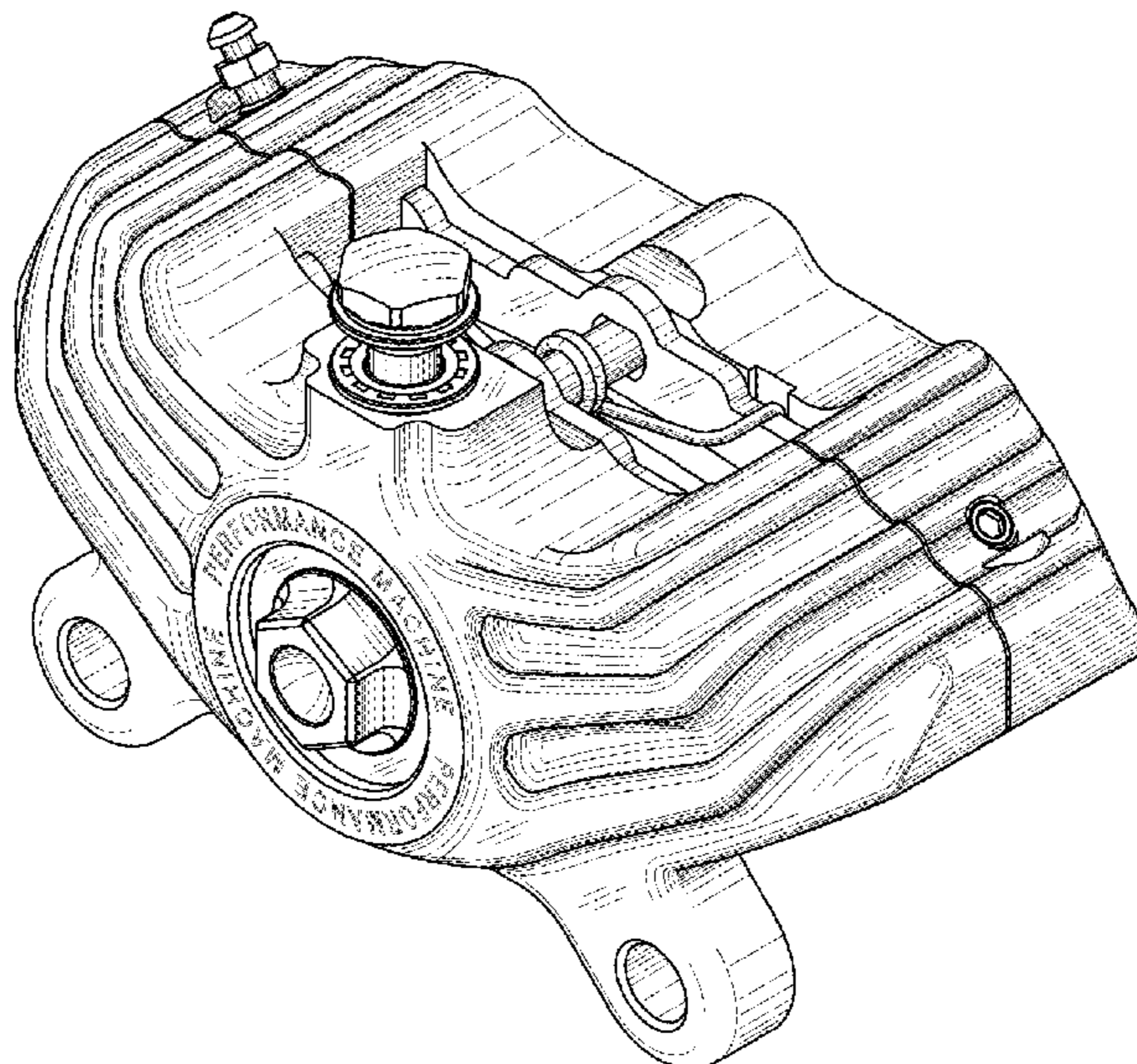
(57) **CLAIM**

The ornamental design for a motorcycle caliper brake housing, as shown and described.

DESCRIPTION

FIG. 1 is perspective view of an outer front side of my motorcycle caliper brake housing taken from above and to the right. FIG. 2 is perspective view of the rear side taken from above and to the right. FIG. 3 is a front elevational view. FIG. 4 is a rear elevational view. FIG. 5 is a top or plan view. FIG. 6 is a bottom view. FIG. 7 is right side elevational view; and, FIG. 8 is left side elevational view.

1 Claim, 8 Drawing Sheets



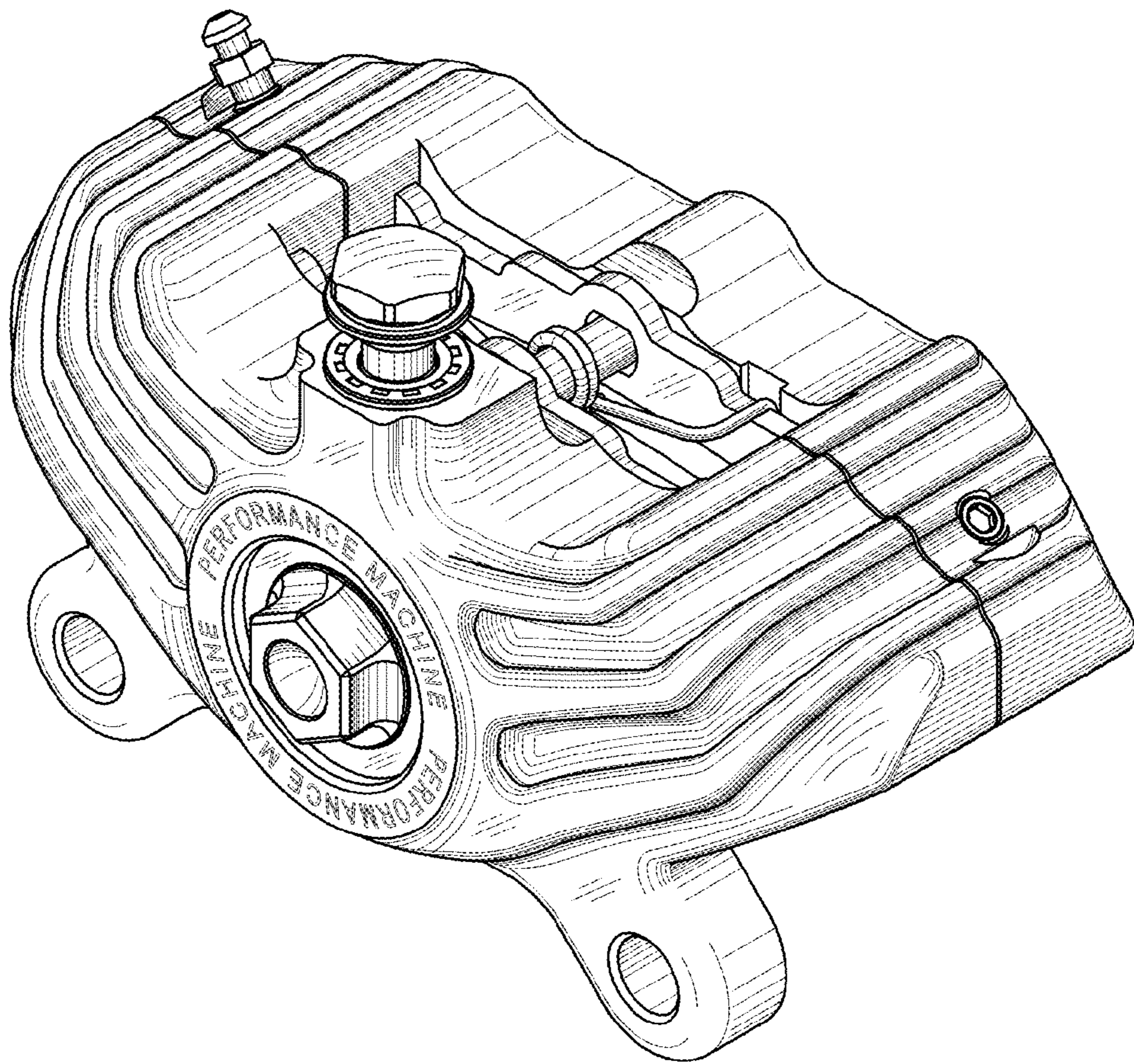


FIG 1

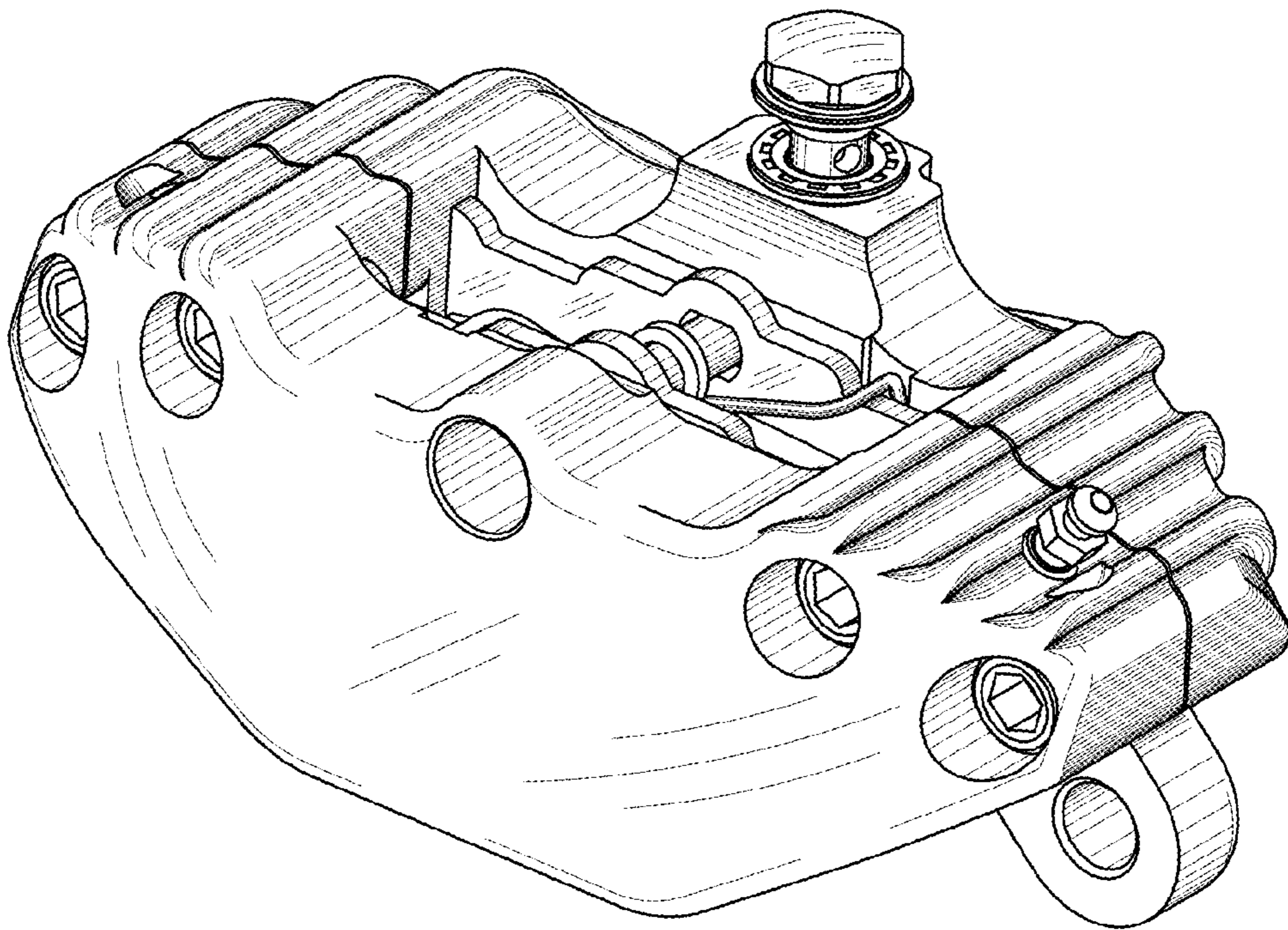


FIG 2

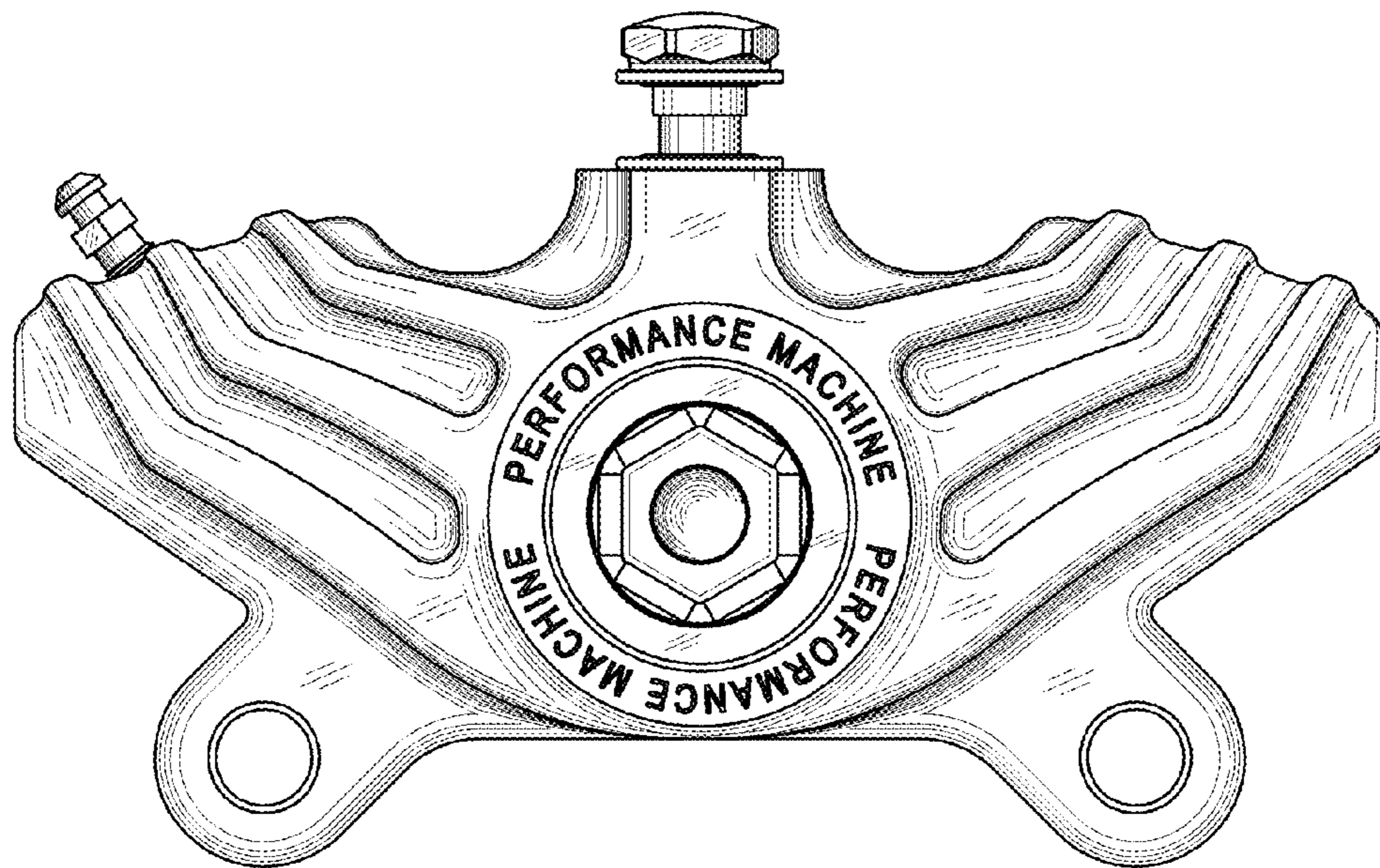


FIG 3

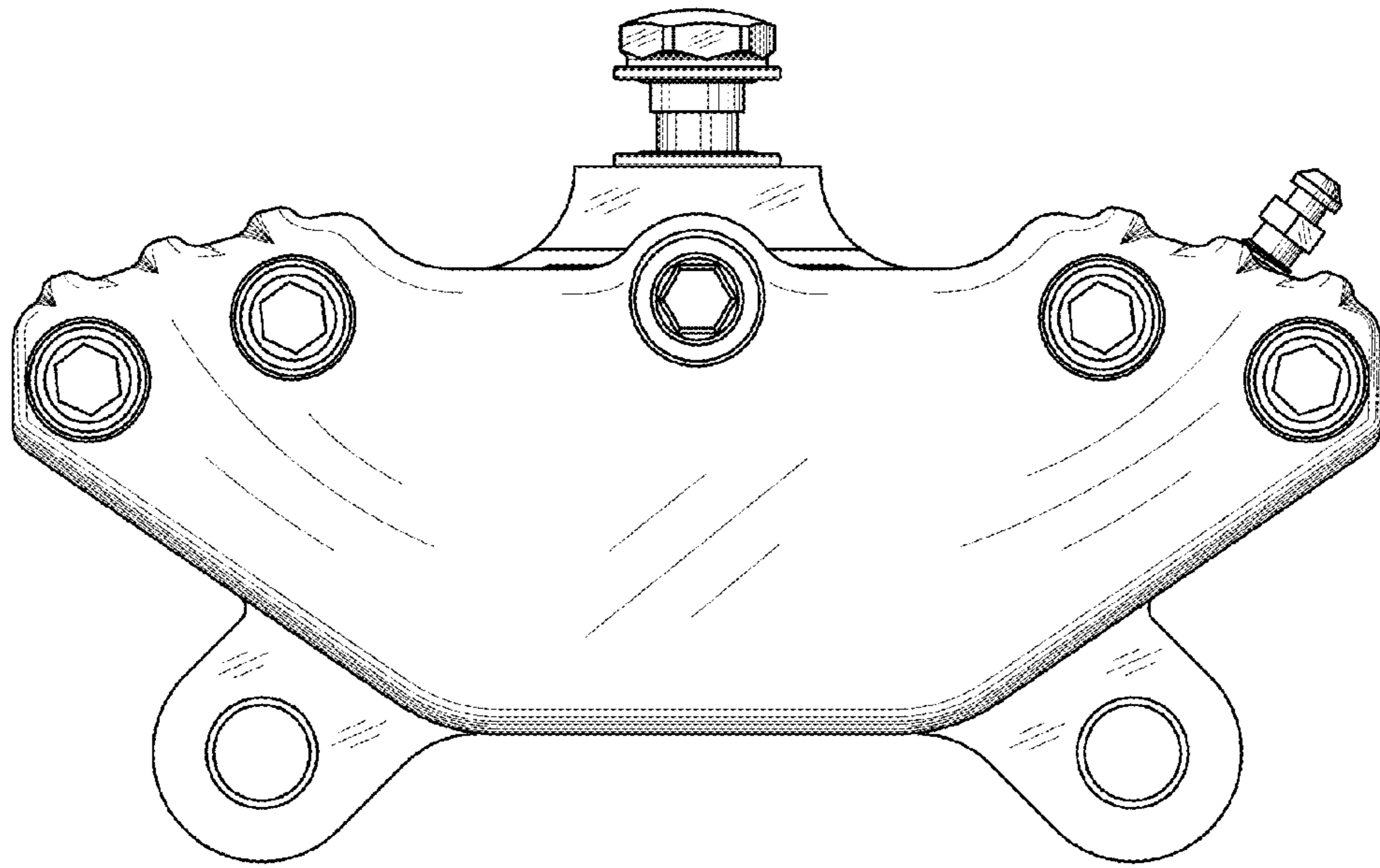


FIG 4

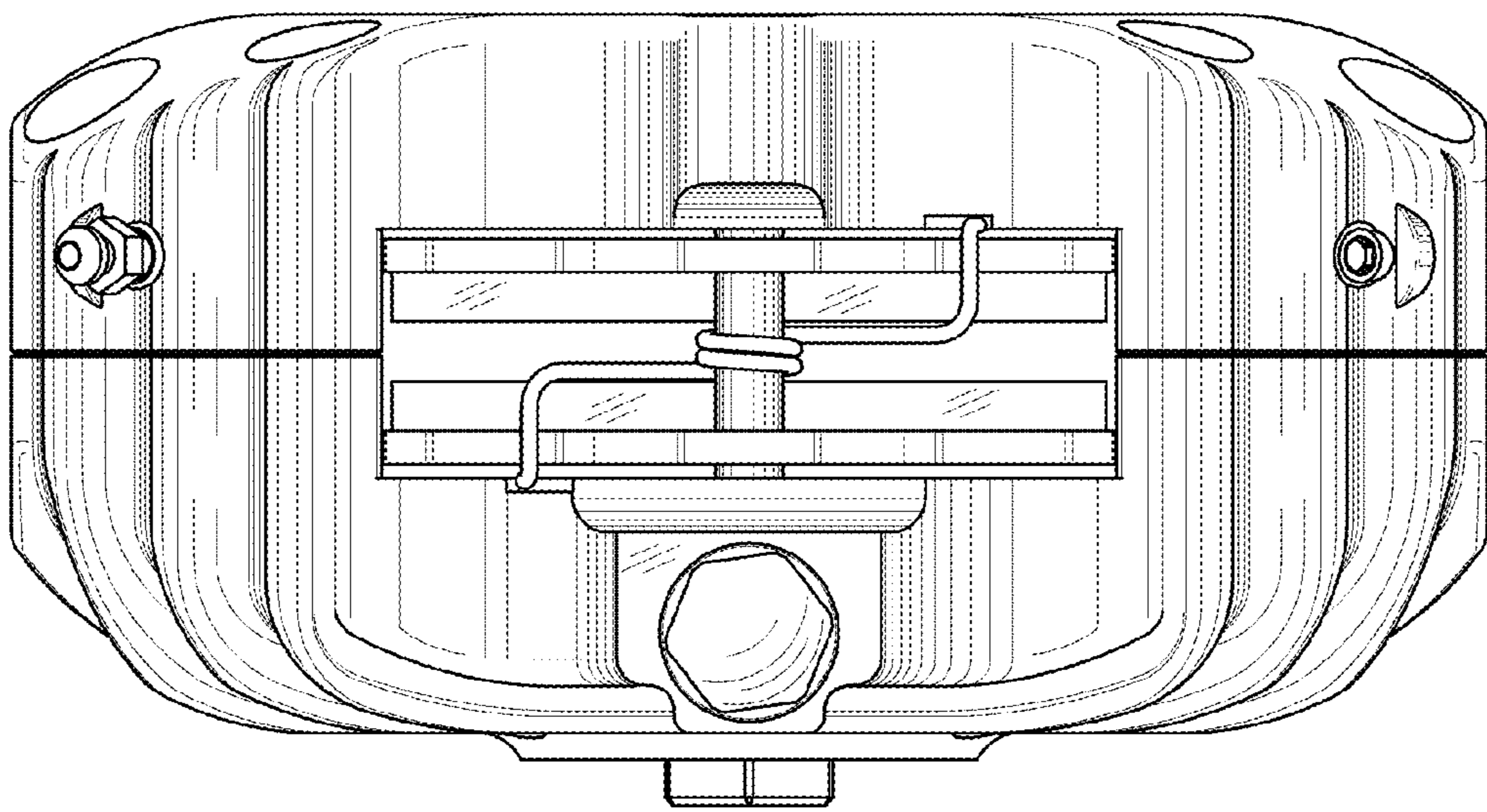


FIG 5

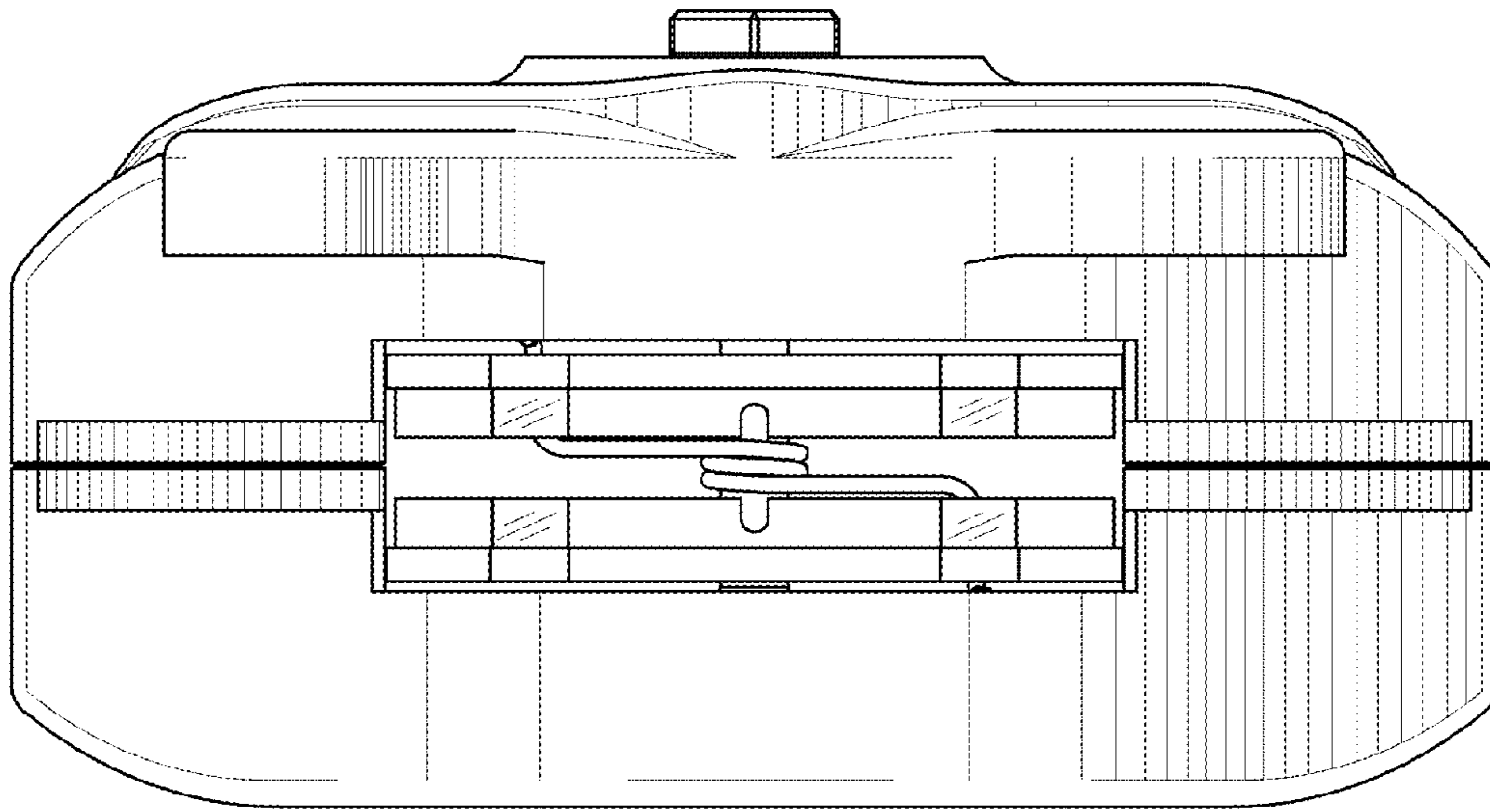


FIG 6

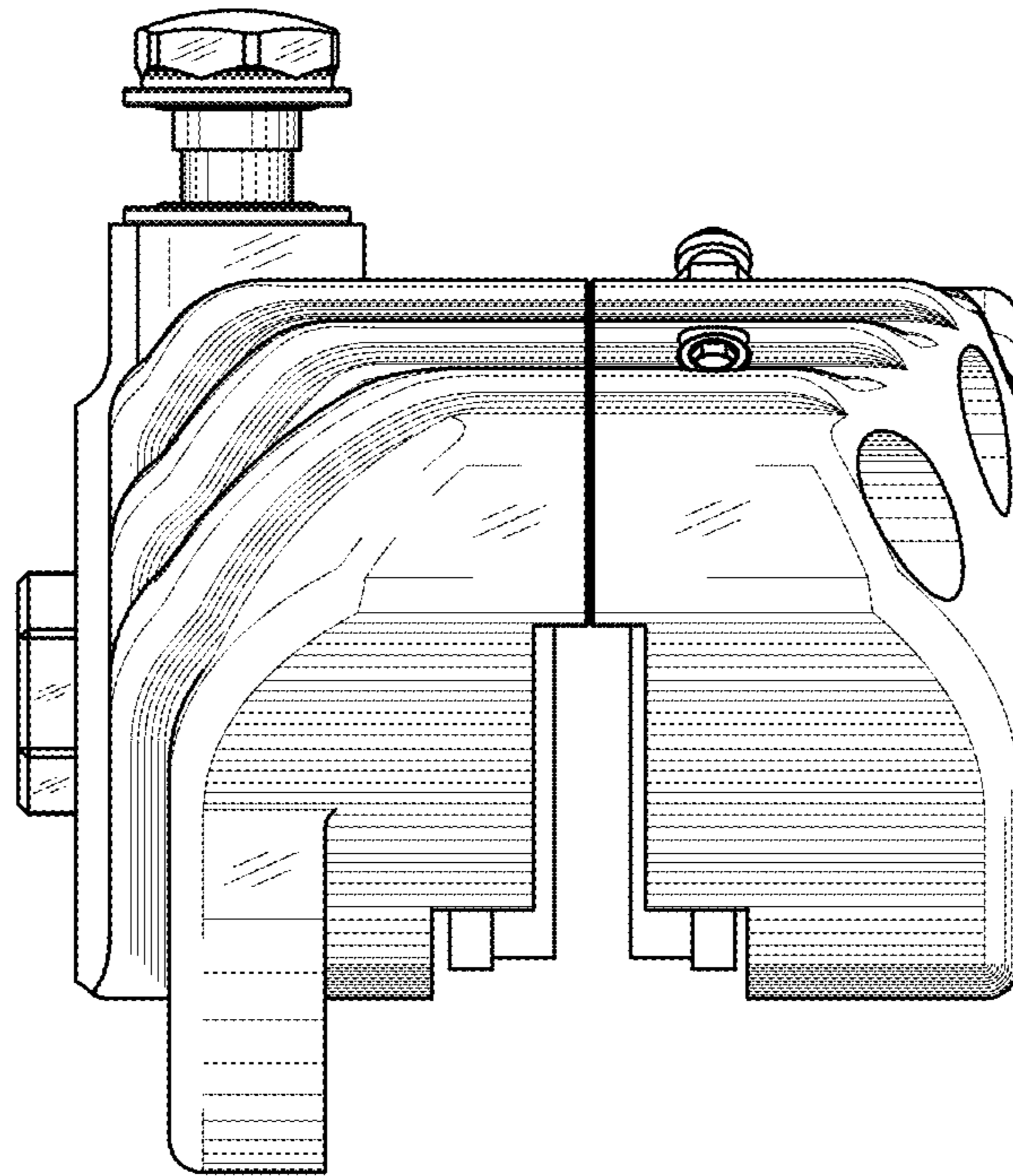


FIG 7

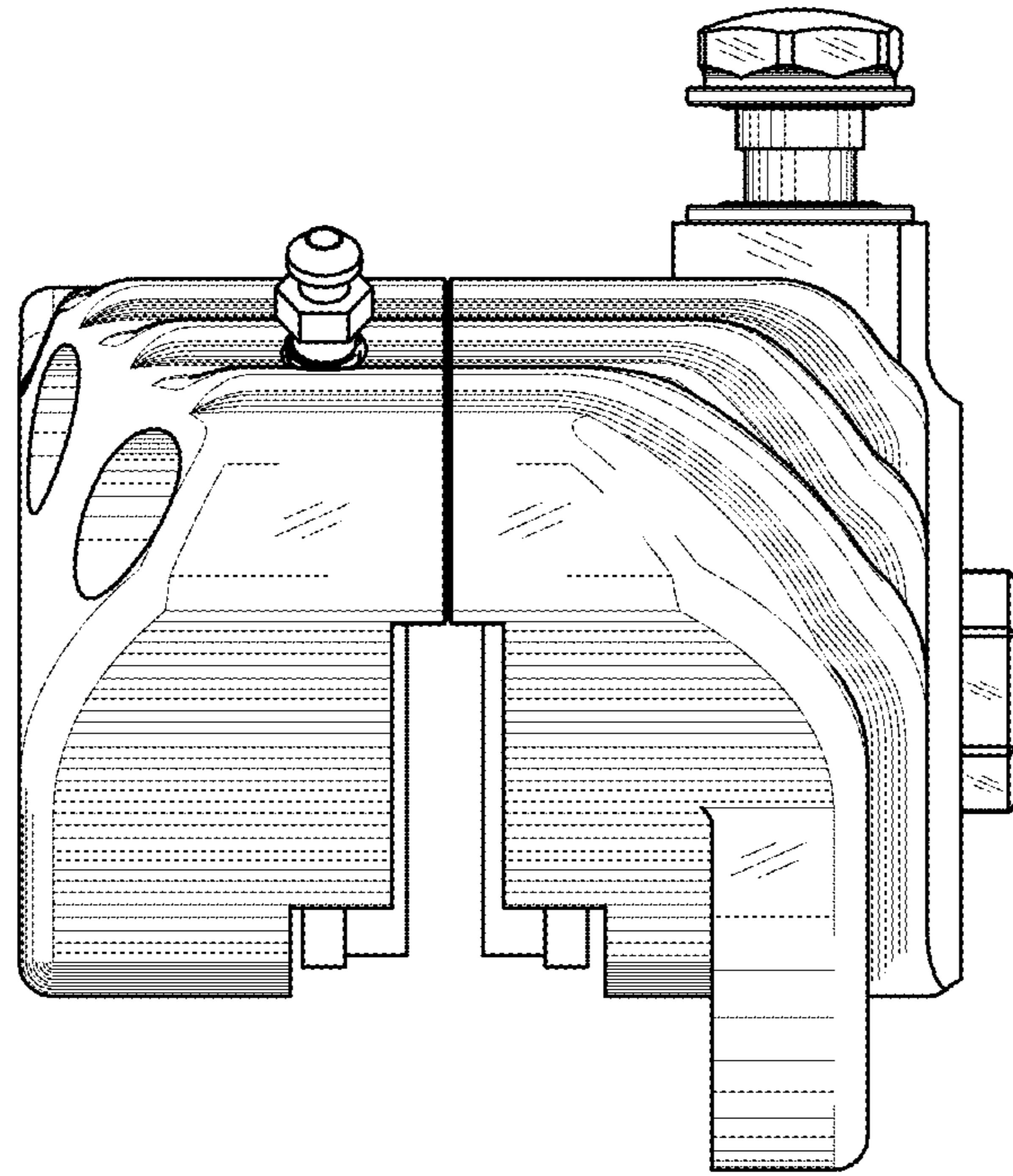


FIG 8