



US00D705708S

(12) **United States Design Patent**
Dooley et al.

(10) **Patent No.:** **US D705,708 S**

(45) **Date of Patent:** **** May 27, 2014**

(54) **STEERING WHEEL**

(75) Inventors: **William Kyle Dooley**, Romeoville, IL (US); **David Sachtleben**, Bolingbrook, IL (US); **Peter Zerillo**, Chicago, IL (US); **Carl J. Hagele**, The Villages, FL (US); **Richard J. Hagele**, legal representative, The Villages, FL (US)

(73) Assignee: **CNH Industrial America LLC**, New Holland, PA (US)

(**) Term: **14 Years**

(21) Appl. No.: **29/430,076**

(22) Filed: **Aug. 21, 2012**

(51) **LOC (10) Cl.** **12-16**

(52) **U.S. Cl.**
USPC **D12/176**

(58) **Field of Classification Search**
USPC D12/175, 176, 177; D21/512, 513, 514, D21/515, 516, 517, 566; D7/550.1, 553.6, D7/554.2, 586; D14/137-139, 191-193, D14/218, 299; 280/259, 260, 282; 74/533-536, 38, 552, 581, 828, 833
See application file for complete search history.

(56) **References Cited**

U.S. PATENT DOCUMENTS

D243,078	S	*	1/1977	Marker et al.	D12/176
D254,486	S	*	3/1980	Montgomery et al.	D12/176
D305,223	S	*	12/1989	Breiding et al.	D12/176
D366,021	S	*	1/1996	Tharp	D12/176
D445,740	S	*	7/2001	Hartog	D12/177
6,402,196	B1	*	6/2002	Nicot	280/771
D461,435	S	*	8/2002	Johnson	D12/176
6,802,193	B1	*	10/2004	Long	70/207
D619,943	S	*	7/2010	Granata	D12/176
D649,096	S	*	11/2011	Lucas et al.	D12/176

D679,637	S	*	4/2013	Mihashi	D12/177
2007/0295151	A1	*	12/2007	Kentor	74/552
2009/0314128	A1	*	12/2009	Rick	74/558

OTHER PUBLICATIONS

Grant—Classic GM Style Steering Wheel. Jan 30, 2013 [online], [retrieved on Dec. 26, 2013]. Retrieved from the Internet <URL: <http://www.carid.com/grant/classic-gm-style-steering-wheel.html>>.*

Stacey David. What Are You Working on? 67 Mustang—Eleanor Steering. Apr. 29, 2010 [online], [retrieved on Dec. 26, 2013]. Retrieved from the Internet <URL: <http://whatareyouworkinon.com/category/tags/67-mustang?page=1>>.*

NRG Woodgrain Wheel/Hub/3.0 Quick Release Combo. May 2, 2013 [online], [retrieved on Dec. 26, 2013]. Retrieved from the Internet <URL: http://dwsparts.com/index.php?route=product/product&product_id=481>.*

* cited by examiner

Primary Examiner — Philip S Hyder

Assistant Examiner — Darlington Ly

(74) *Attorney, Agent, or Firm* — Patrick M. Sheldrake

(57) **CLAIM**

We claim the ornamental design for the steering wheel, as shown and described.

DESCRIPTION

FIG. 1 is a front perspective view of a steering wheel showing our new design;

FIG. 2 is a top view thereof;

FIG. 3 is a left side view thereof;

FIG. 4 is a right side view thereof;

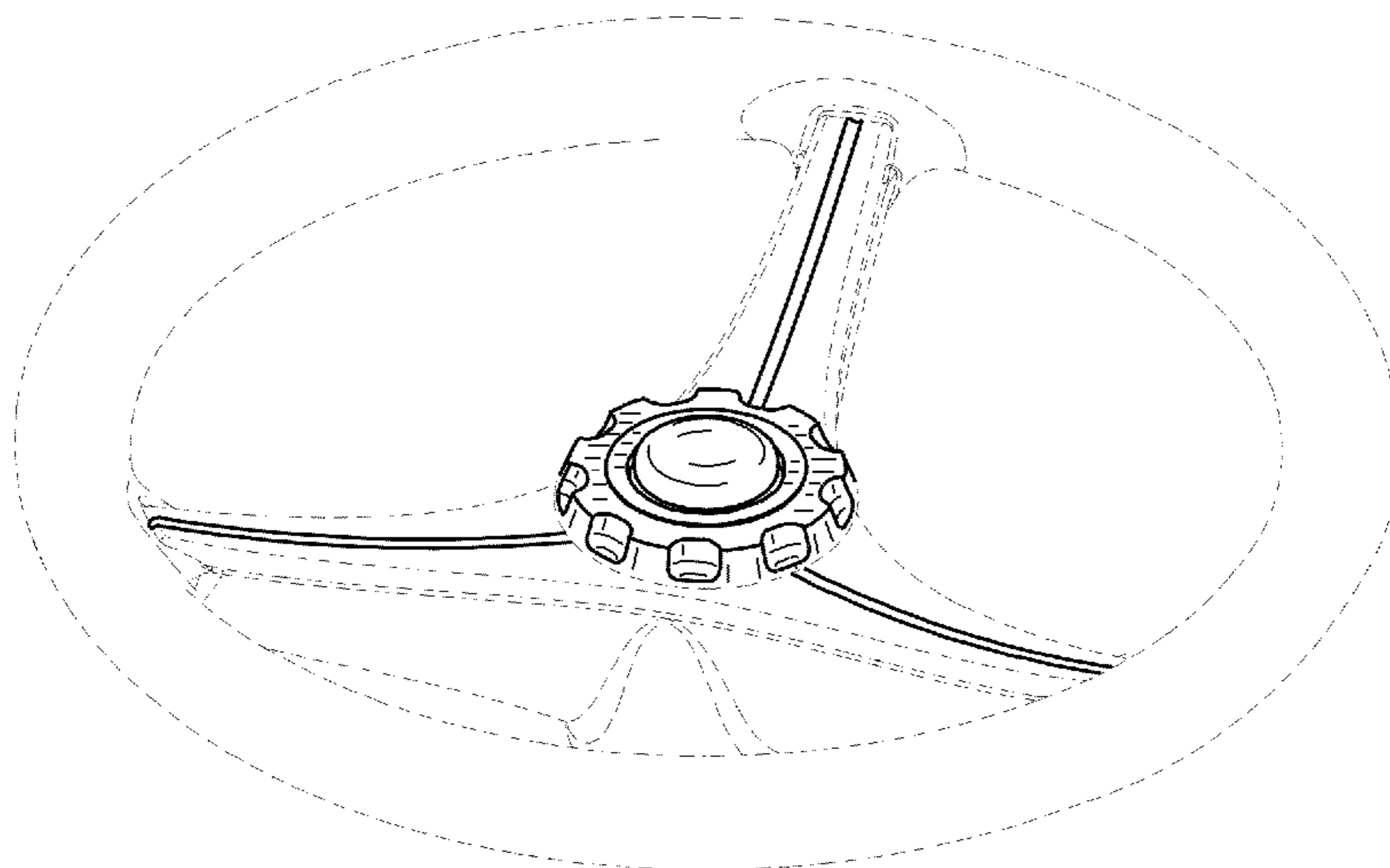
FIG. 5 is a front view thereof;

FIG. 6 is a rear view thereof; and,

FIG. 7 is a sectional view thereof taken along line 7 in FIG. 2.

The broken lines shown in the drawings illustrate portions of the steering wheel that forms no part of claimed design.

1 Claim, 4 Drawing Sheets



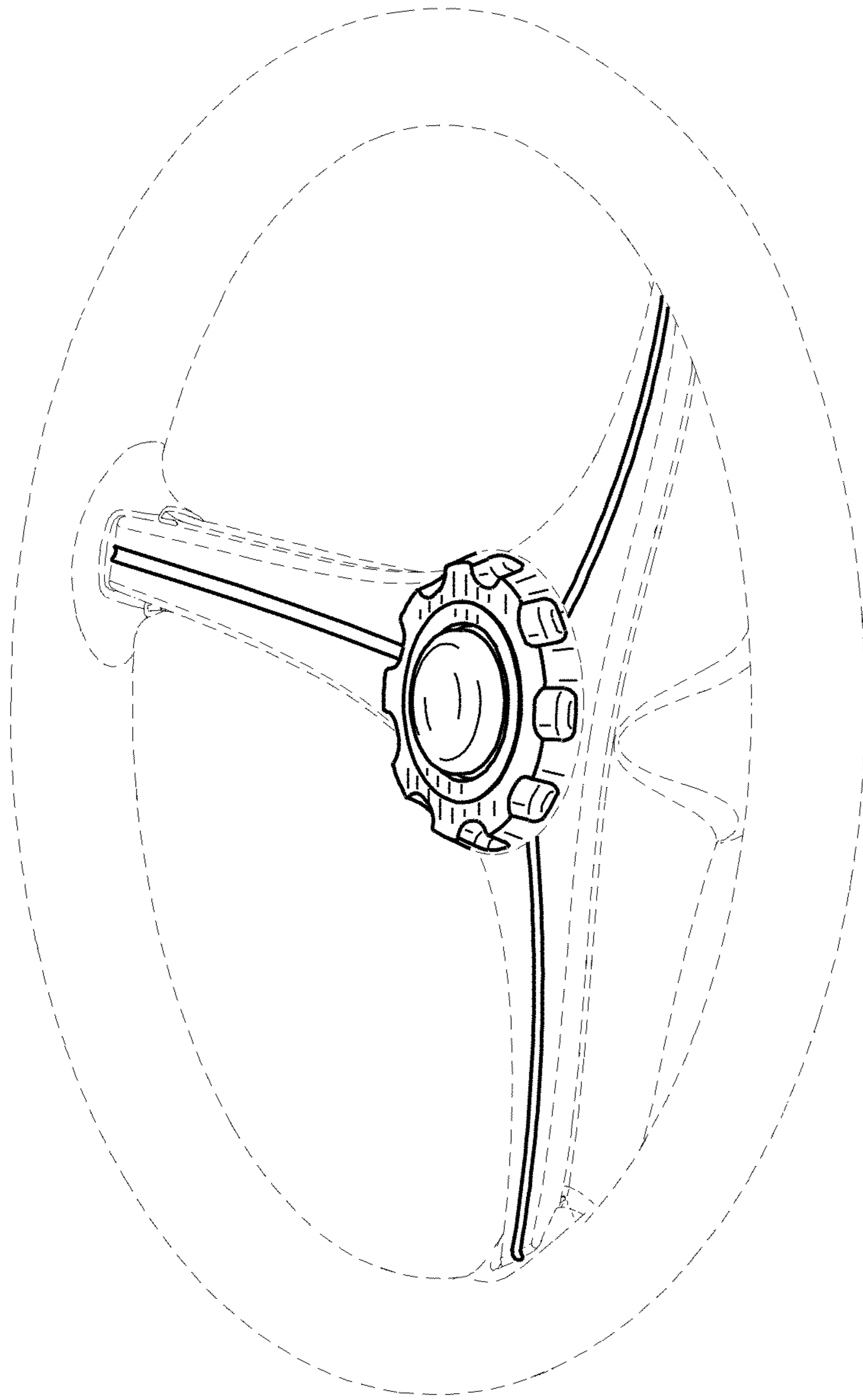


FIG. 1

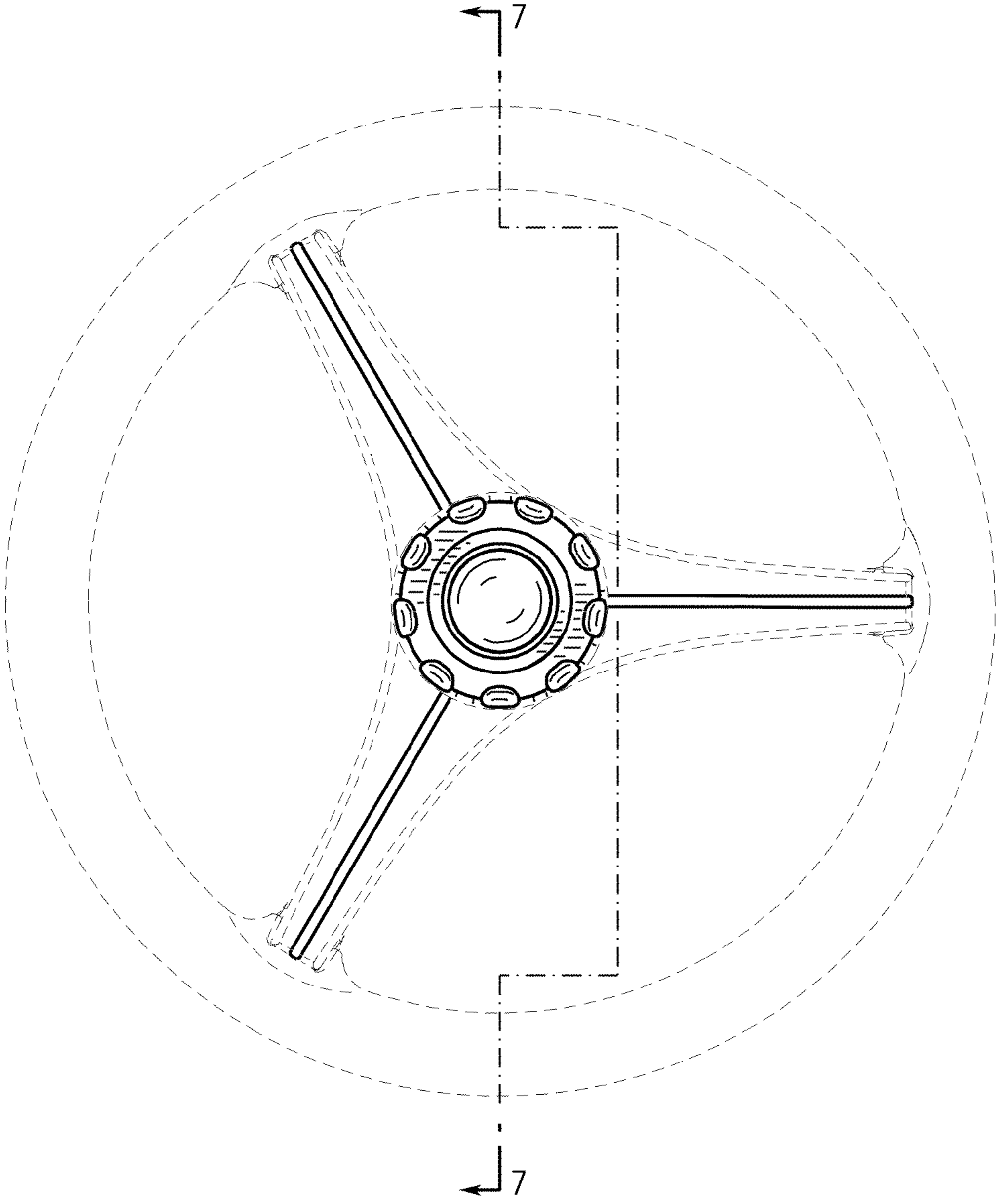


FIG. 2

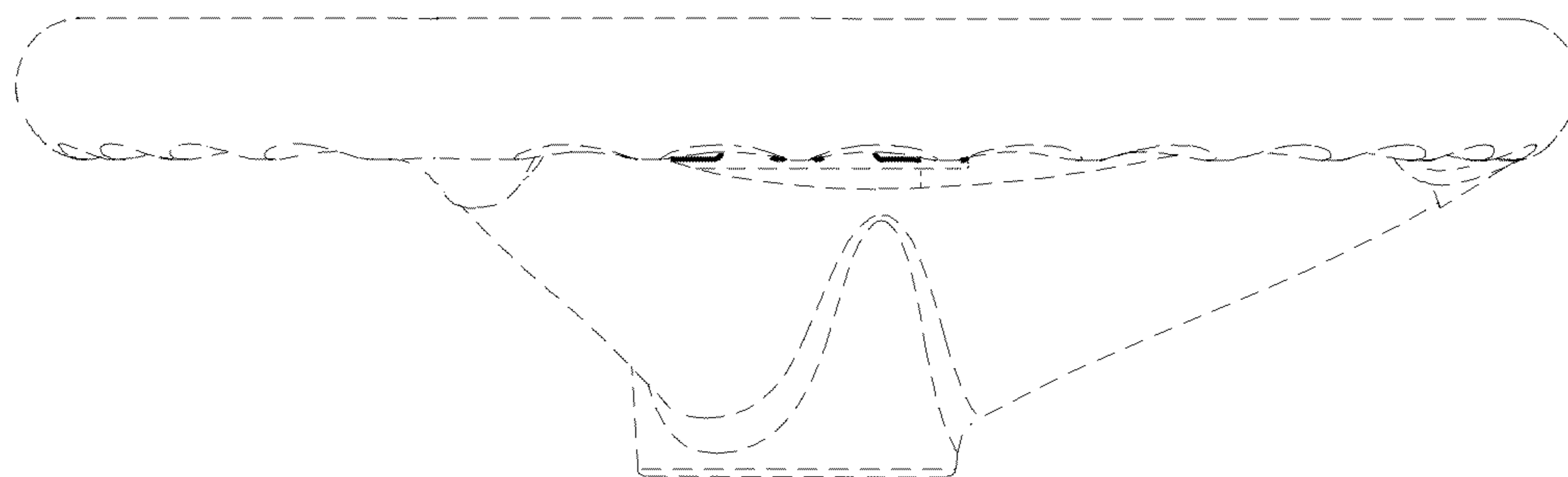


FIG. 3

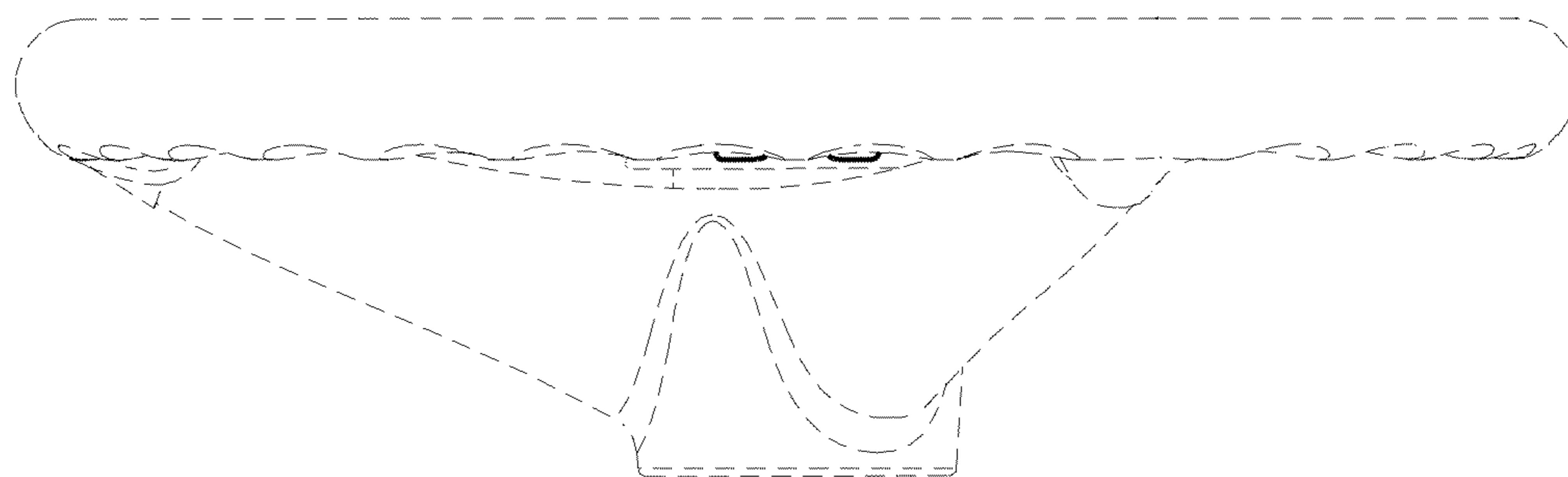


FIG. 4

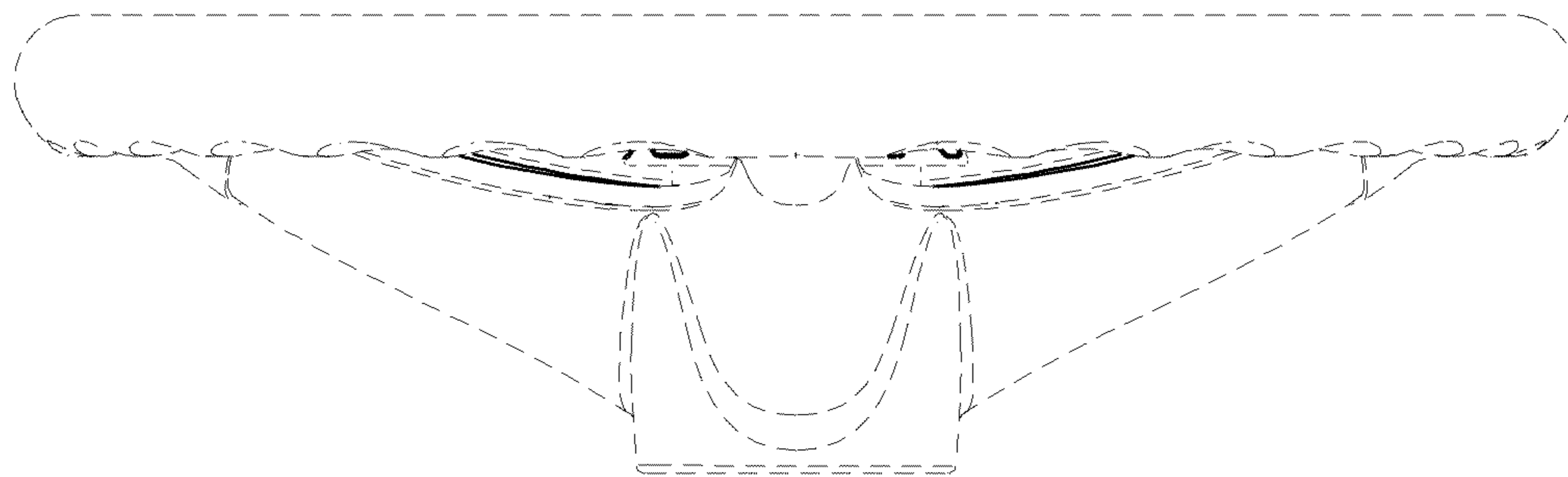


FIG. 5

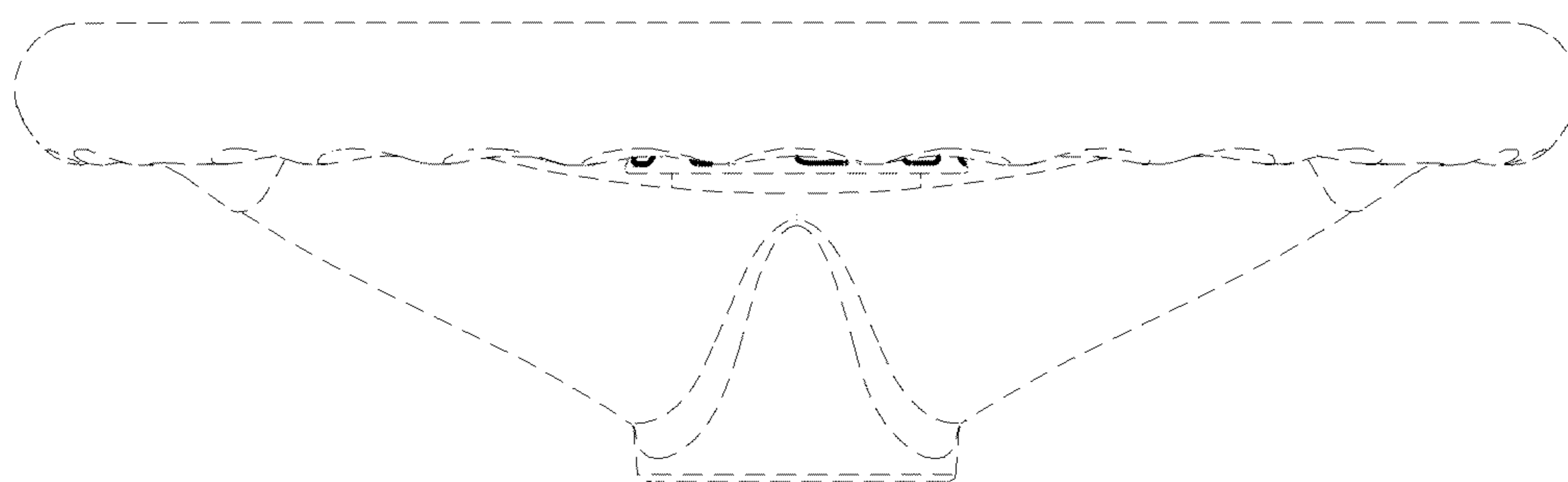


FIG. 6

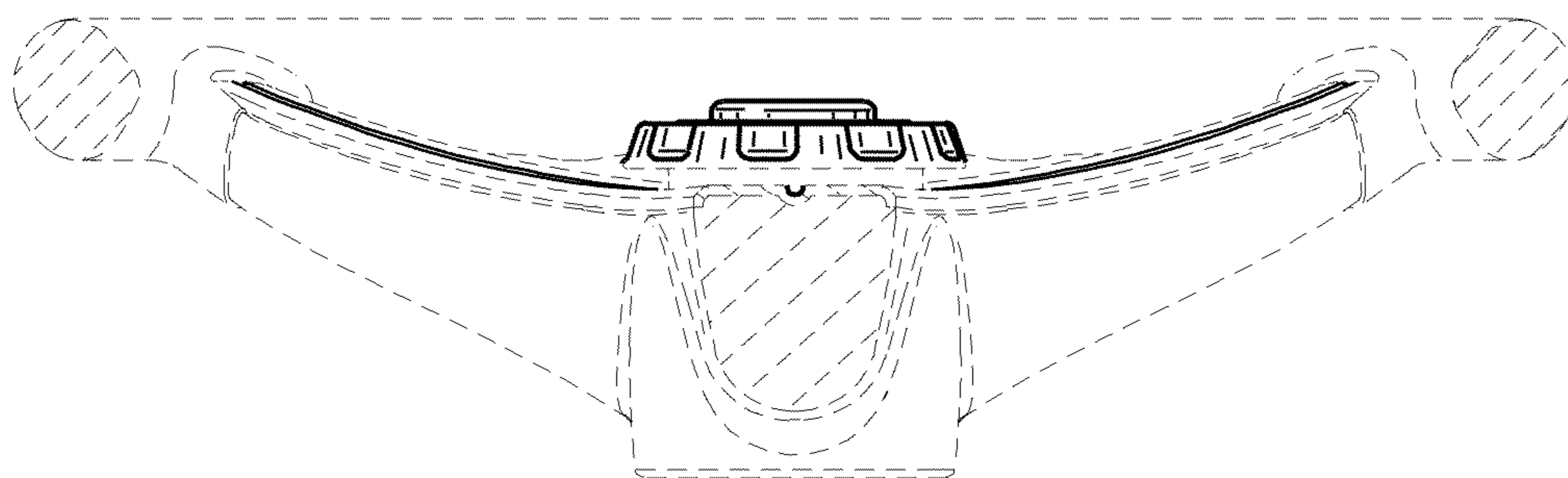


FIG. 7