



US00D705707S

(12) **United States Design Patent**
Kavaja

(10) **Patent No.:** **US D705,707 S**

(45) **Date of Patent:** **** May 27, 2014**

(54) **VEHICLE FRONT BUMPER**

(71) Applicant: **GM Global Technology Operations LLC, Detroit, MI (US)**

(72) Inventor: **Henri Kavaja, Warren, MI (US)**

(73) Assignee: **GM Global Technology Operations LLC, Detroit, MI (US)**

(**) Term: **14 Years**

(21) Appl. No.: **29/443,938**

(22) Filed: **Jan. 24, 2013**

(51) **LOC (10) Cl.** **12-16**

(52) **U.S. Cl.**
USPC **D12/169**

(58) **Field of Classification Search**
USPC D12/169, 216, 90-92, 86, 171, 196,
D12/163; 293/102, 113, 115, 117, 120;
296/180.1, 180.2

See application file for complete search history.

(56) **References Cited**

U.S. PATENT DOCUMENTS

D662,866 S * 7/2012 Fukui et al. D12/169
D688,992 S * 9/2013 Hildebrand et al. D12/169
D695,167 S * 12/2013 Platto et al. D12/169

* cited by examiner

Primary Examiner — Melody Brown

(74) *Attorney, Agent, or Firm* — Parks IP Law LLC; Mickki D. Murray, Esq.

(57) **CLAIM**

The ornamental design for a vehicle front bumper, as shown and described.

DESCRIPTION

FIG. 1 is perspective view of a vehicle front bumper showing the new design;

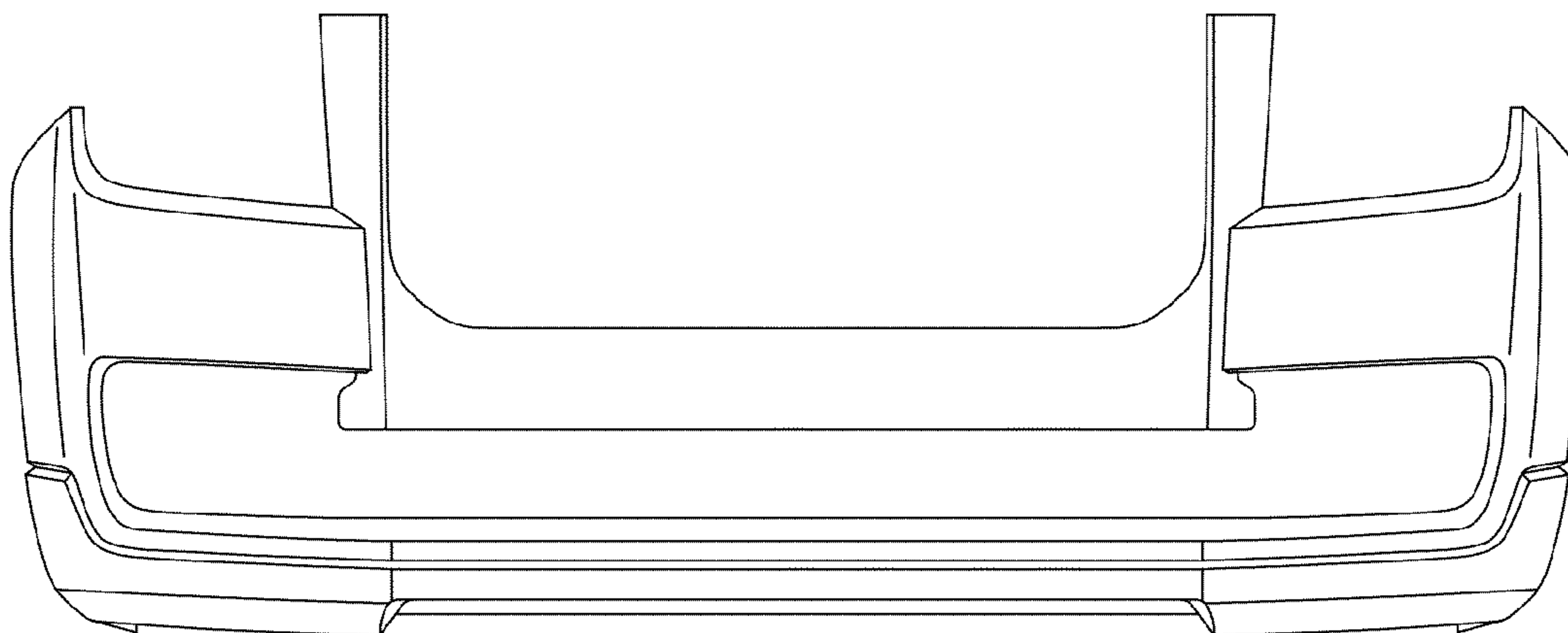
FIG. 2 is a side view, thereof;

FIG. 3 is a front view, thereof; and,

FIG. 4 is a top plan view, thereof.

In the figures, features shown by broken lines are for illustrative purposes only and form no part of the claimed design.

1 Claim, 1 Drawing Sheet



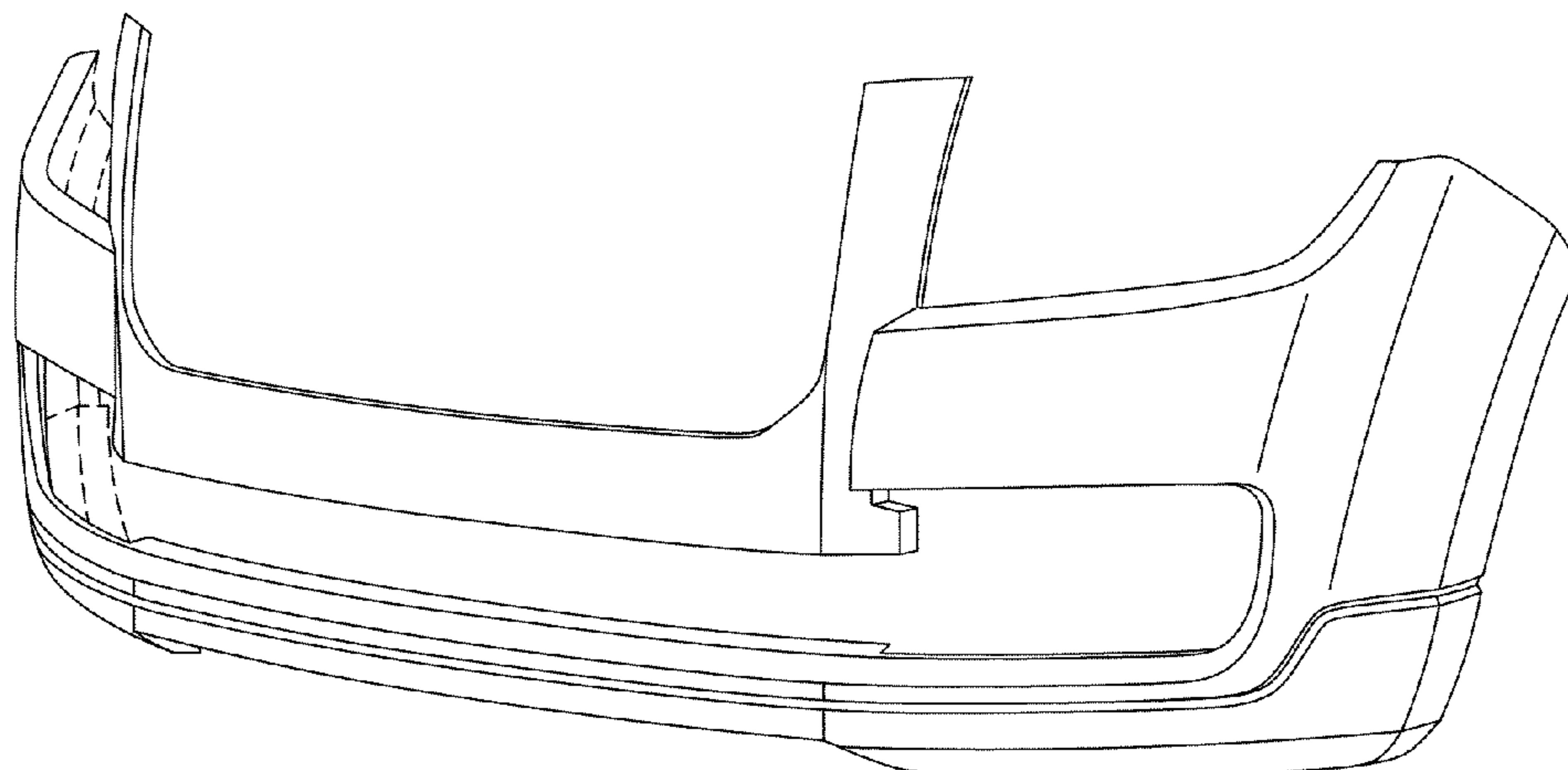


Fig-1

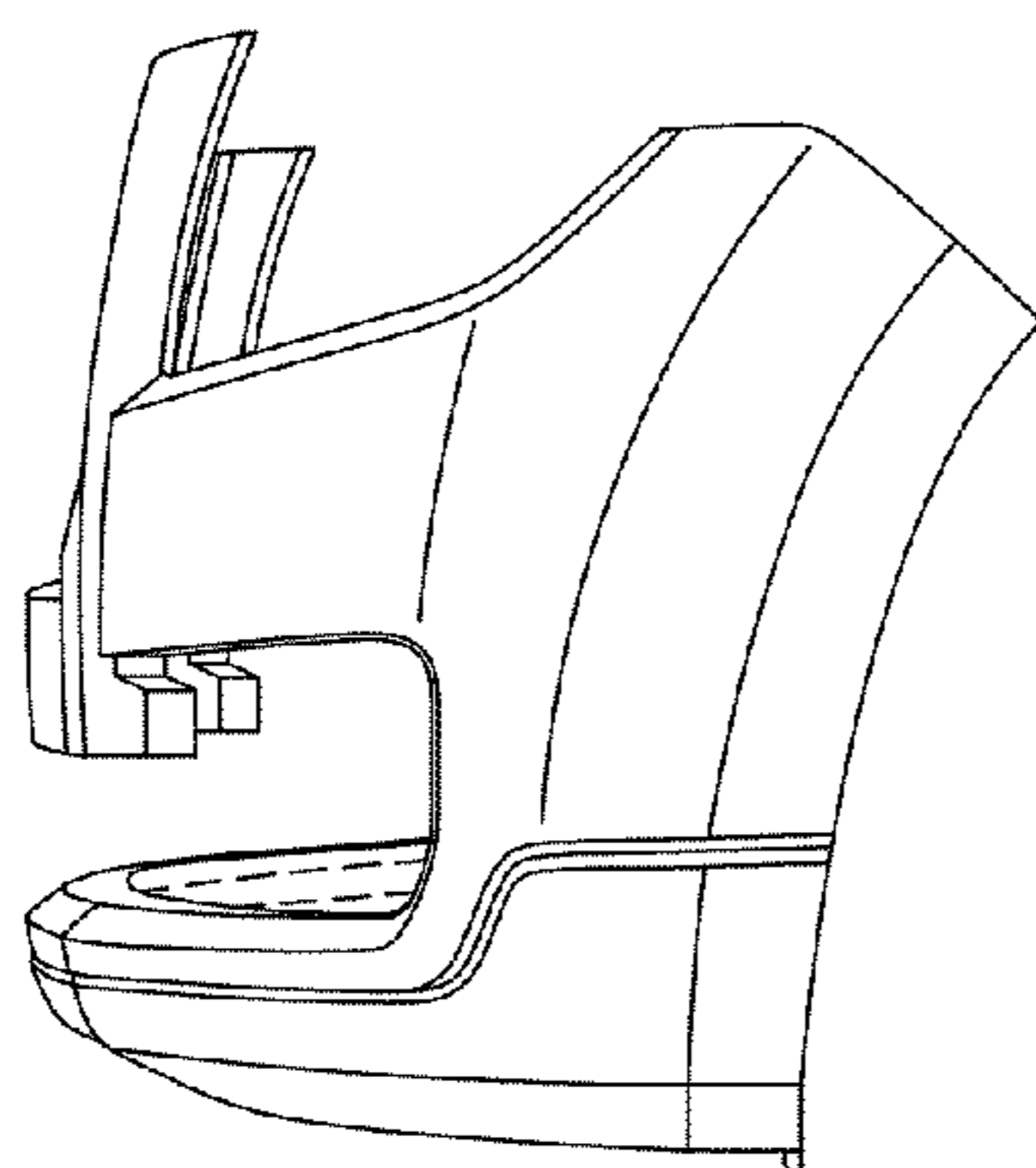


Fig-2

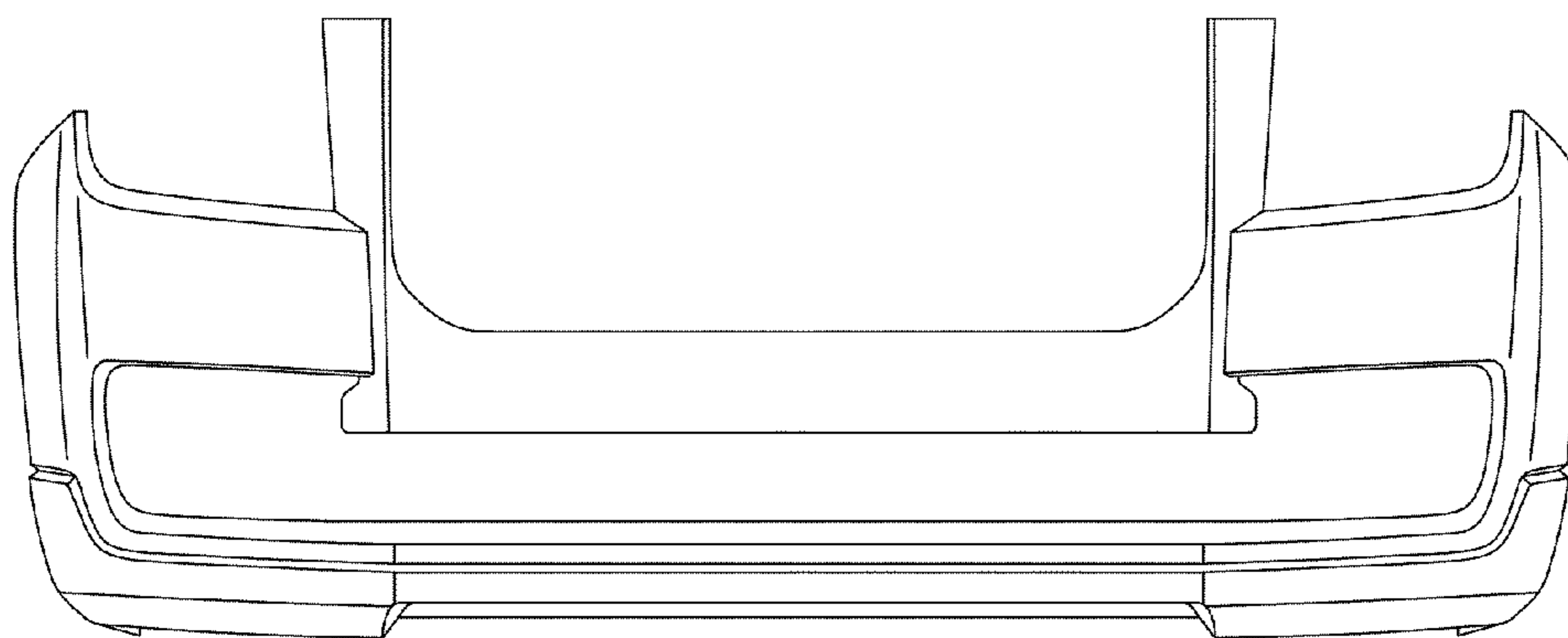


Fig-3

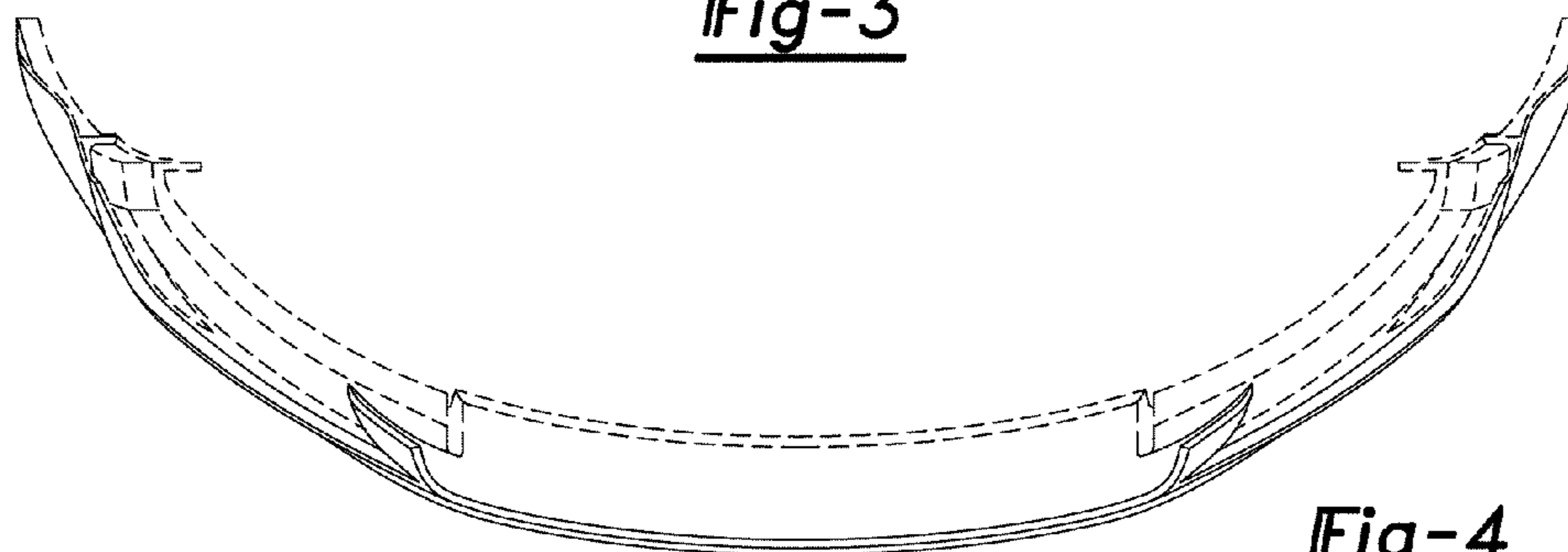


Fig-4