

US00D705705S

(12) **United States Design Patent**  
**Matsumoto et al.**

(10) **Patent No.:** **US D705,705 S**

(45) **Date of Patent:** **\*\* \*May 27, 2014**

(54) **BUMPER FOR AN AUTOMOBILE**  
(71) Applicant: **Toyota Jidosha Kabushiki Kaisha,**  
Toyota (JP)

D620,850 S \* 8/2010 Sakae et al. .... D12/169  
D637,533 S \* 5/2011 Miyazawa et al. .... D12/169  
D640,614 S \* 6/2011 Kumai et al. .... D12/169  
D640,958 S \* 7/2011 Yokoi et al. .... D12/169  
D679,632 S \* 4/2013 Iida et al. .... D12/163

(72) Inventors: **Kengo Matsumoto,** Nagoya (JP);  
**Shinichi Hiranaka,** Miyoshi (JP); **Shin**  
**Miyata,** Nissin (JP); **Satoru Sugimoto,**  
Toyota (JP)

**OTHER PUBLICATIONS**

2009 Audi A6, www.netcarshow.com, posted by NetCarShow at least  
as early as 2009.

2011 Lexus CT200h, www.netcarshow.com, publicly known at least  
as early as Mar. 2010.

(73) Assignee: **Toyota Jidosha Kabushiki Kaisha** (JP)

\* cited by examiner

(\*) Notice: This patent is subject to a terminal dis-  
claimer.

*Primary Examiner* — Melody Brown

(\*\*) Term: **14 Years**

(74) *Attorney, Agent, or Firm* — SAIDMAN DesignLaw  
Group

(21) Appl. No.: **29/435,875**

(22) Filed: **Oct. 30, 2012**

(57) **CLAIM**

The ornamental design for a bumper for an automobile, as  
shown and described.

**Related U.S. Application Data**

(62) Division of application No. 29/388,883, filed on Apr.  
4, 2011, now Pat. No. Des. 679,632.

**DESCRIPTION**

(30) **Foreign Application Priority Data**

Jan. 7, 2011 (JP) ..... 2011-000250  
Jan. 7, 2011 (JP) ..... 2011-000251

(51) **LOC (10) Cl.** ..... **12-16**

(52) **U.S. Cl.**  
USPC ..... **D12/169**

(58) **Field of Classification Search**  
USPC ..... D12/163, 196, 171, 169, 216, 90-92,  
D12/86; 180/68.1, 68.6; 296/193.11  
See application file for complete search history.

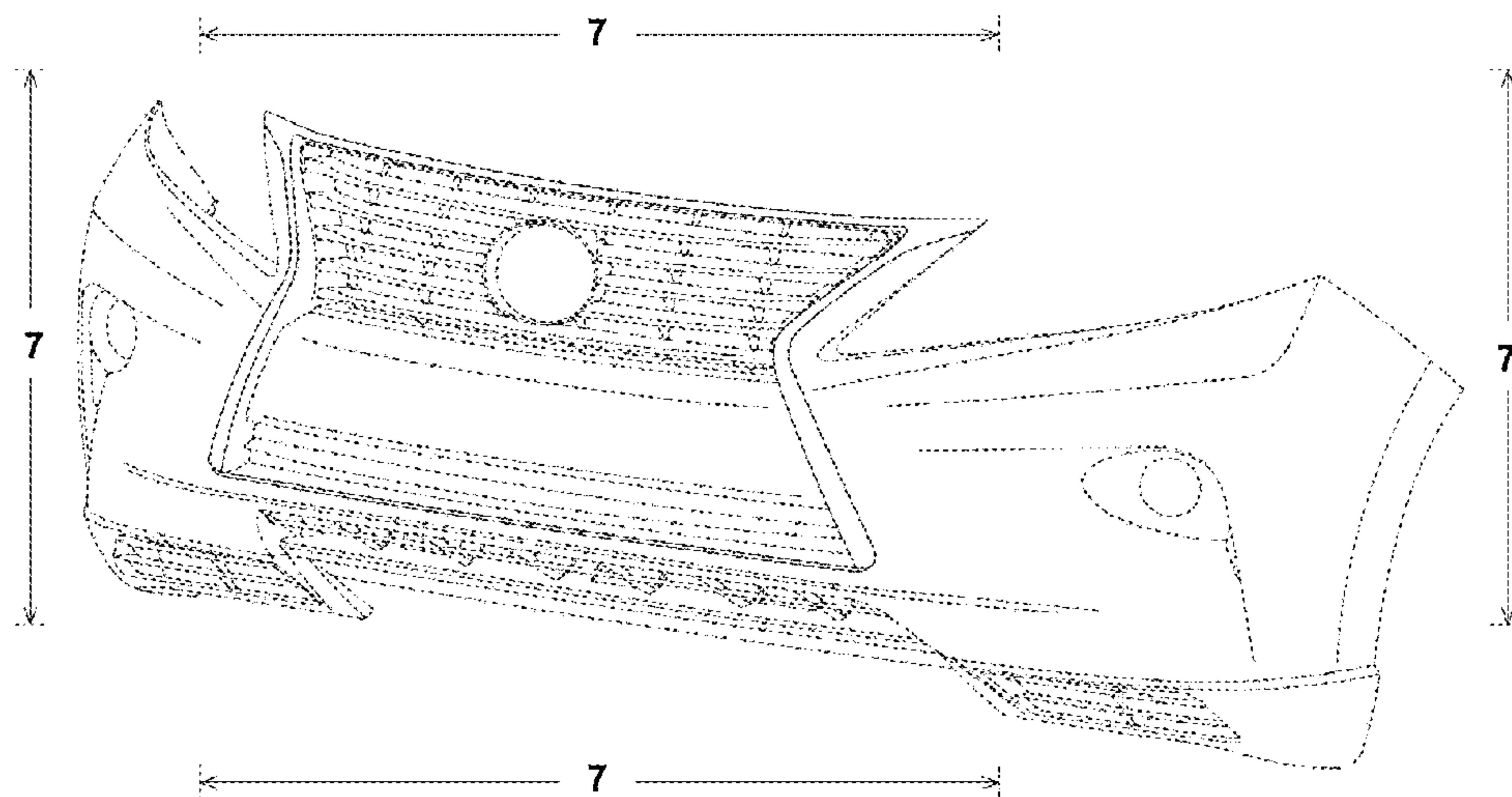
FIG. 1 is a perspective view of a bumper for an automobile  
showing our new design;  
FIG. 2 is a front view thereof;  
FIG. 3 is a rear view thereof;  
FIG. 4 is a top view thereof;  
FIG. 5 is a bottom view thereof;  
FIG. 6 is a right side view thereof, the left side view being a  
mirror image;  
FIG. 7 is an enlarged view showing a portion of FIG. 1 defined  
by lines 7-7; and,  
FIG. 8 is an enlarged view showing a portion of FIG. 2 defined  
by lines 8-8.  
The broken lines illustrate environmental structure and form  
no part of the claimed design.

(56) **References Cited**

**U.S. PATENT DOCUMENTS**

D619,514 S \* 7/2010 Syouji et al. .... D12/169

**1 Claim, 5 Drawing Sheets**



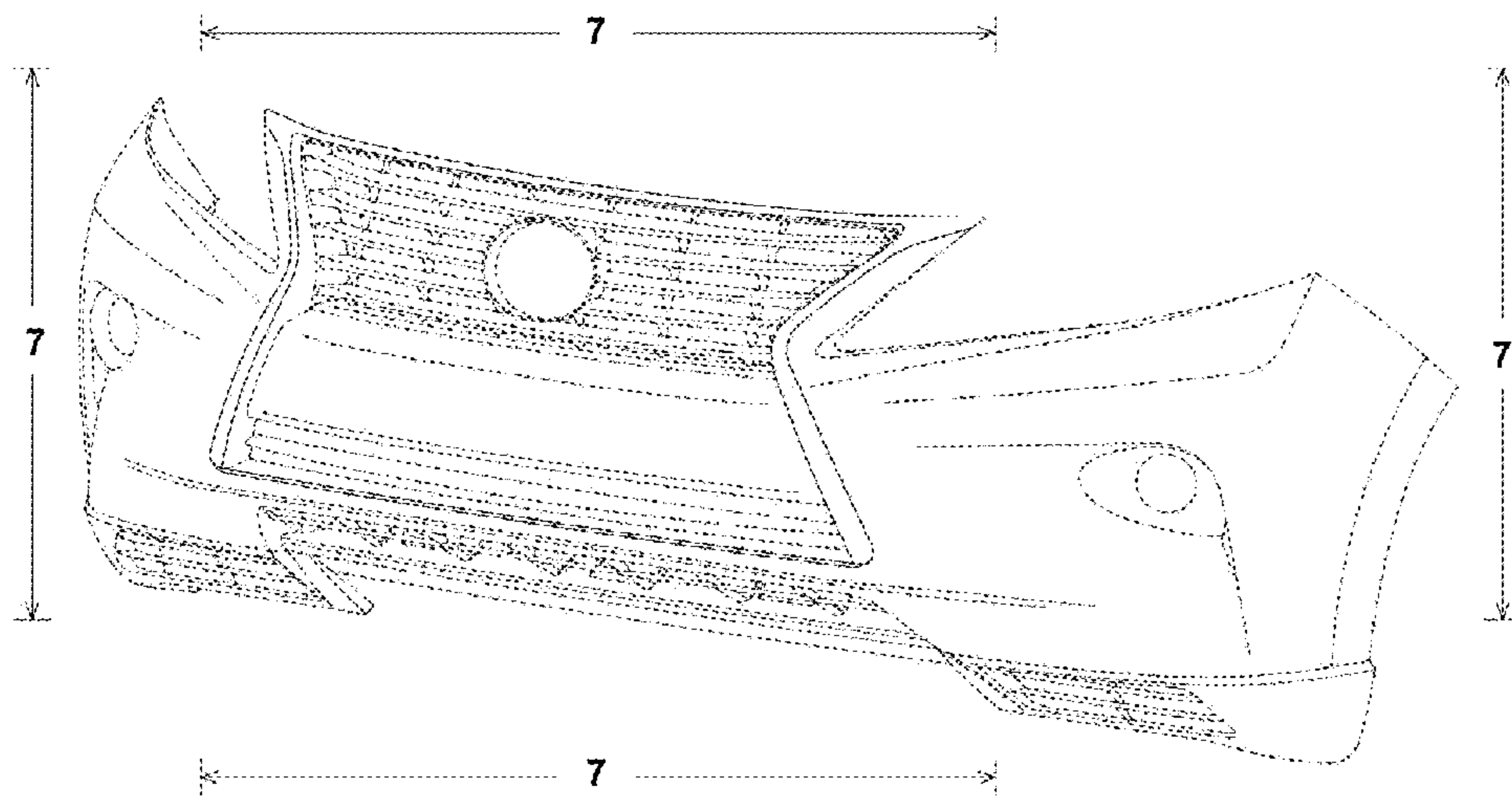


FIG. 1

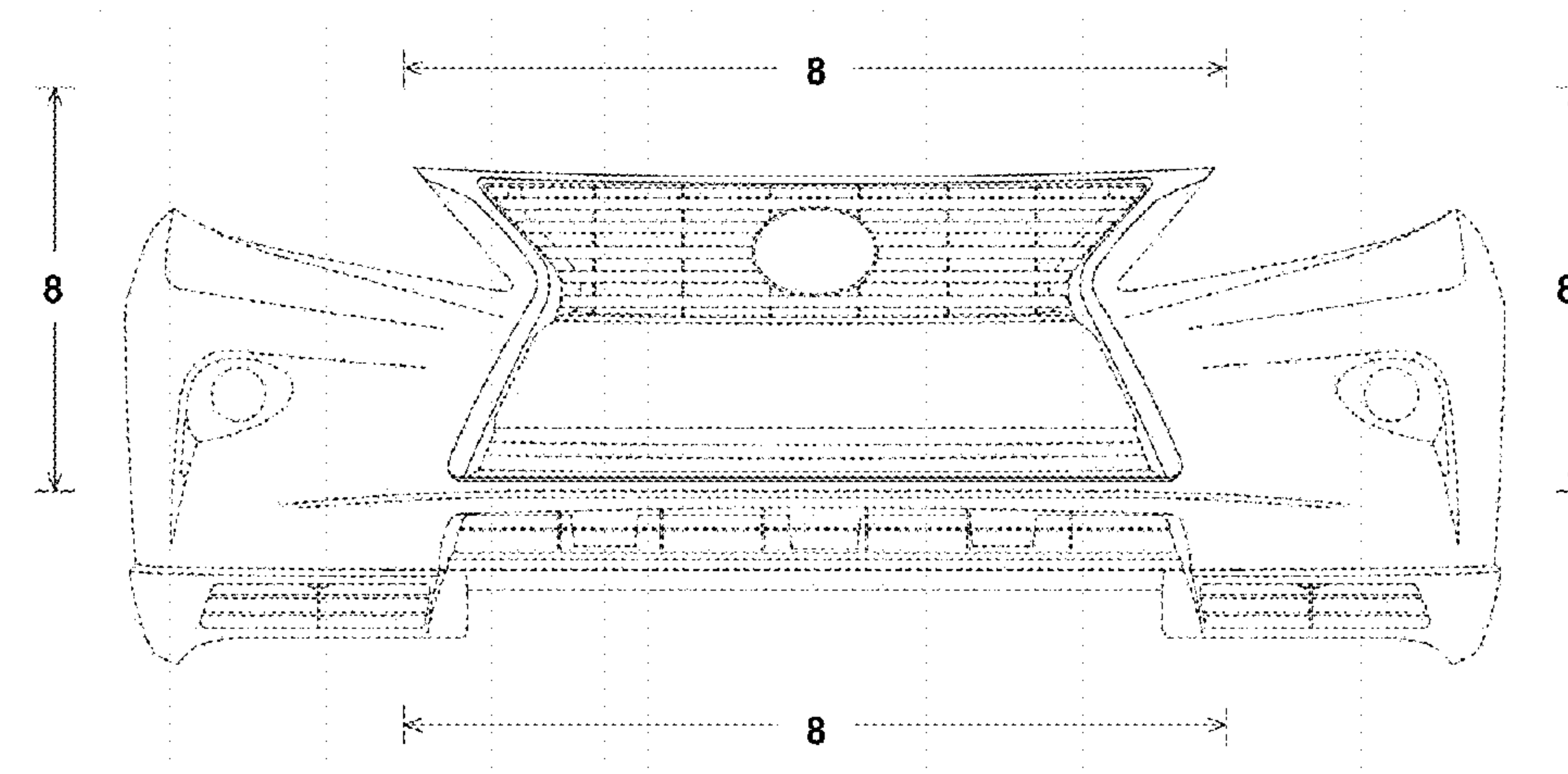
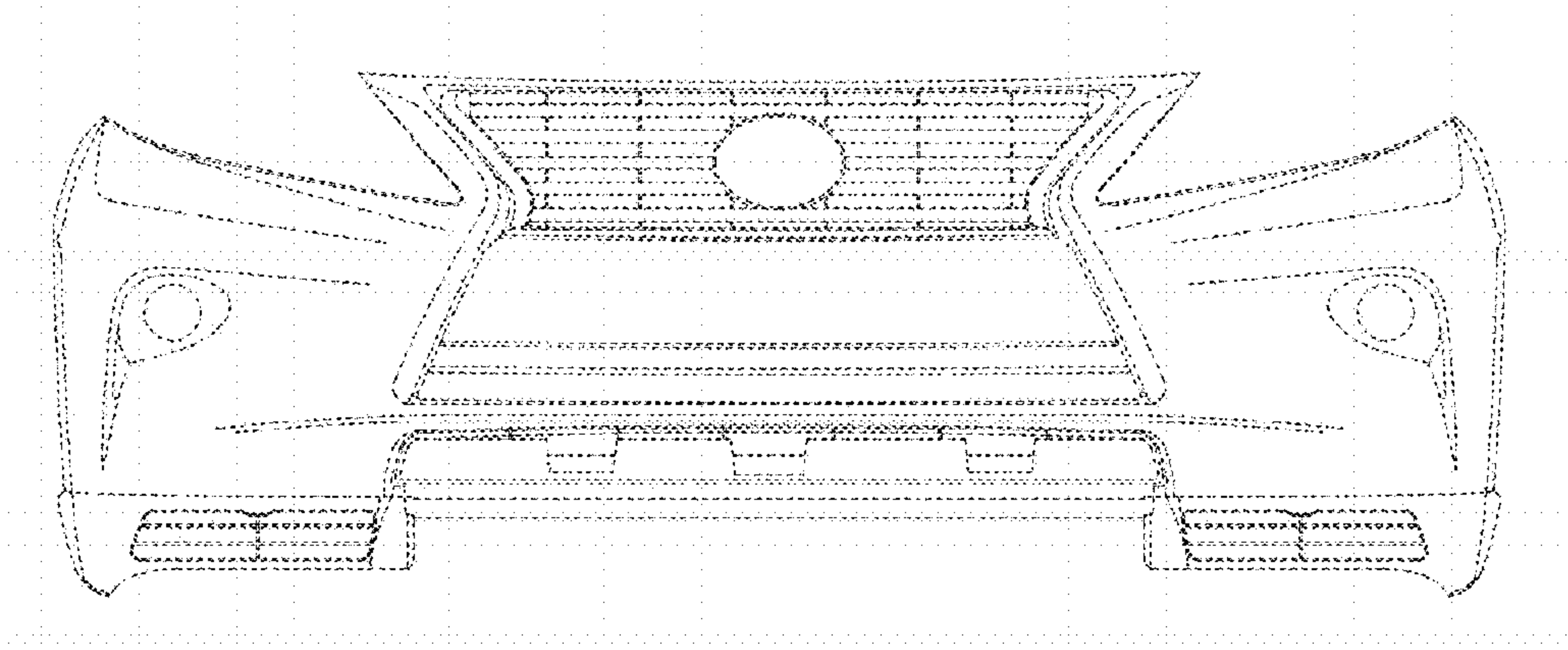
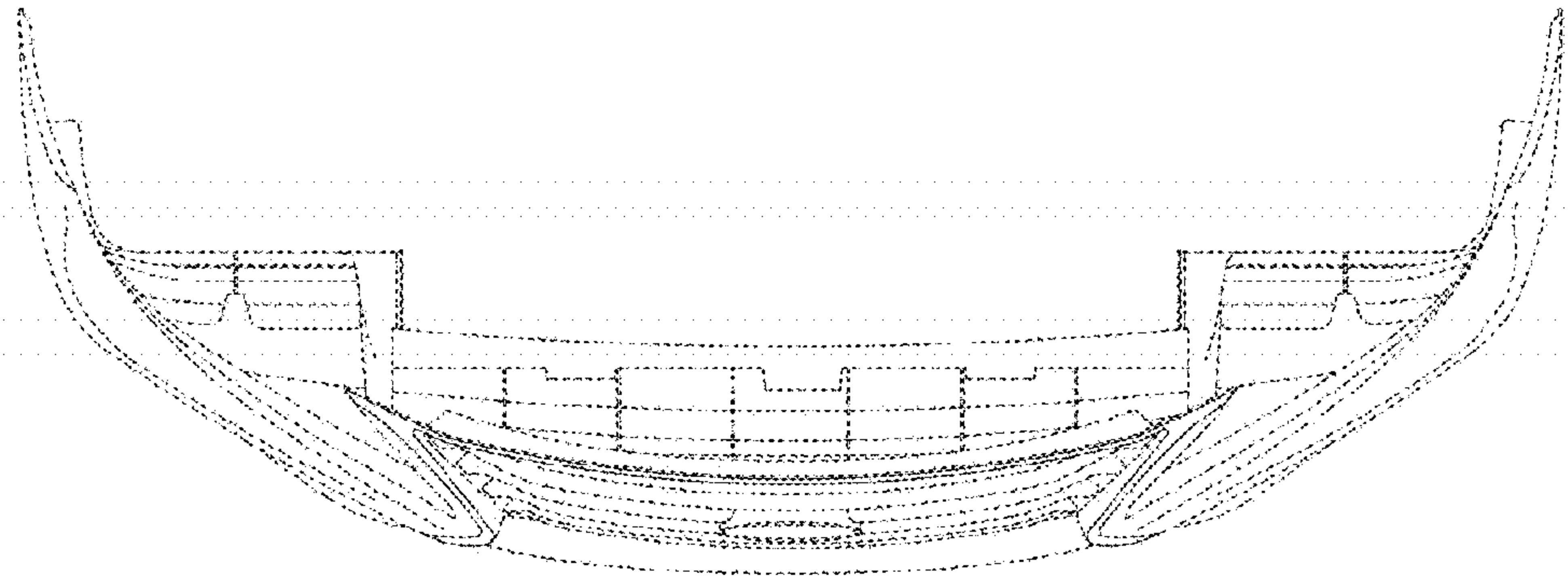


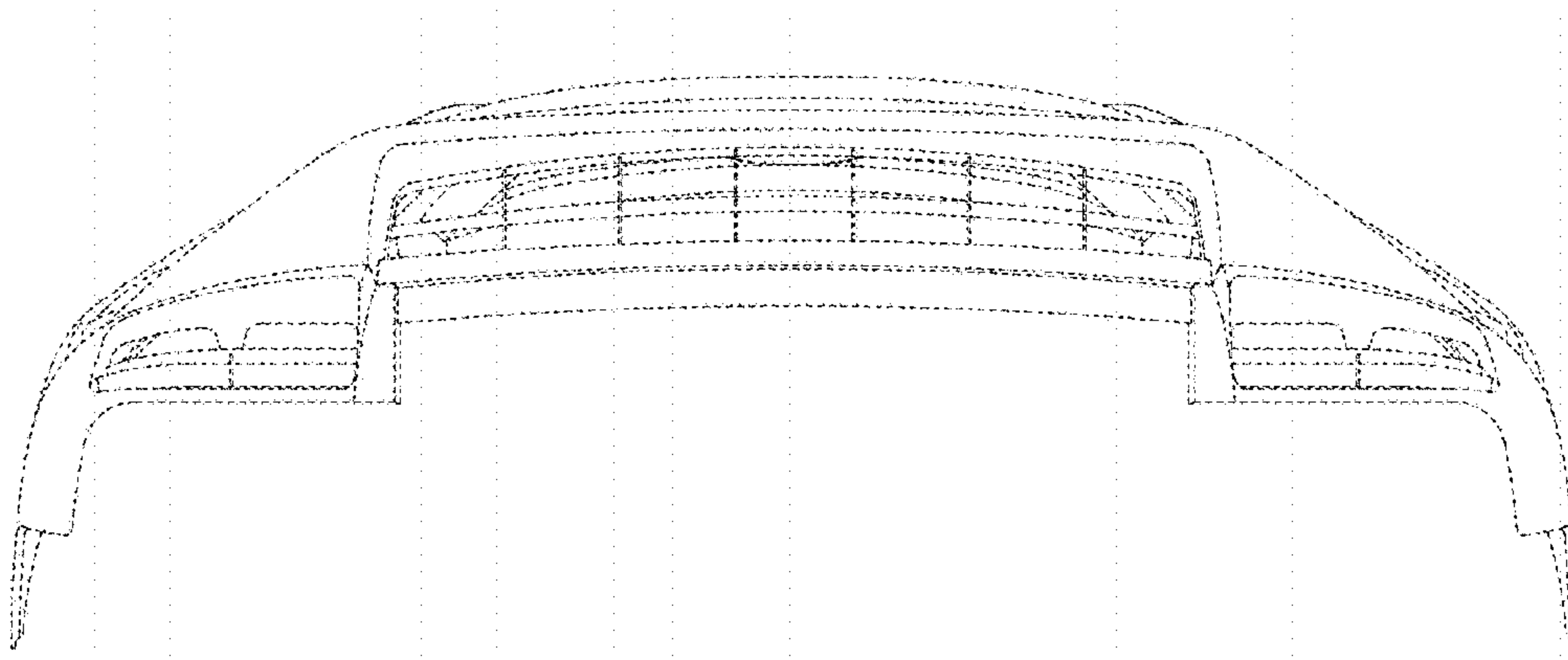
FIG. 2



**FIG. 3**



**FIG. 4**



**FIG. 5**



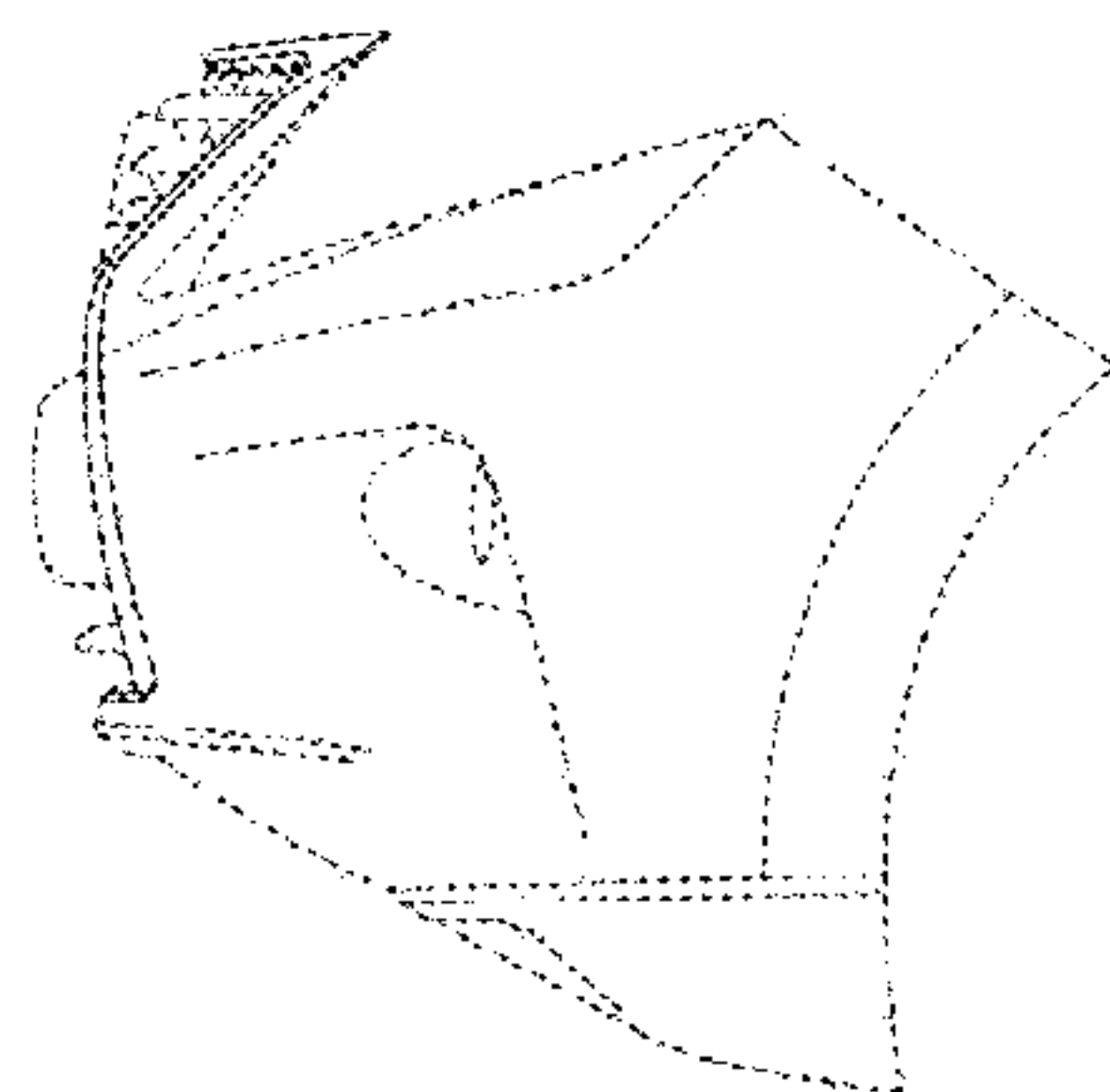


FIG. 6

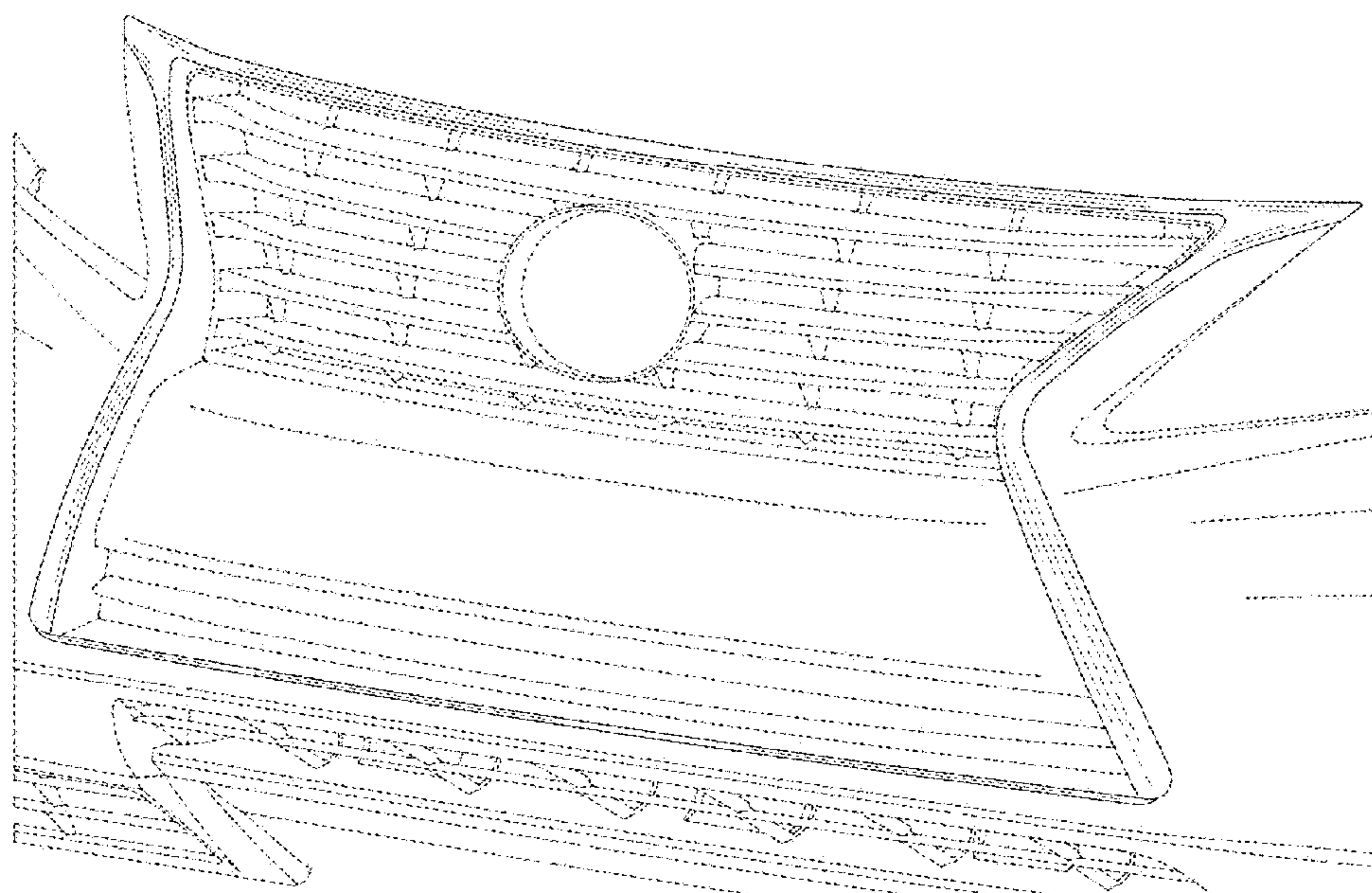


FIG. 7

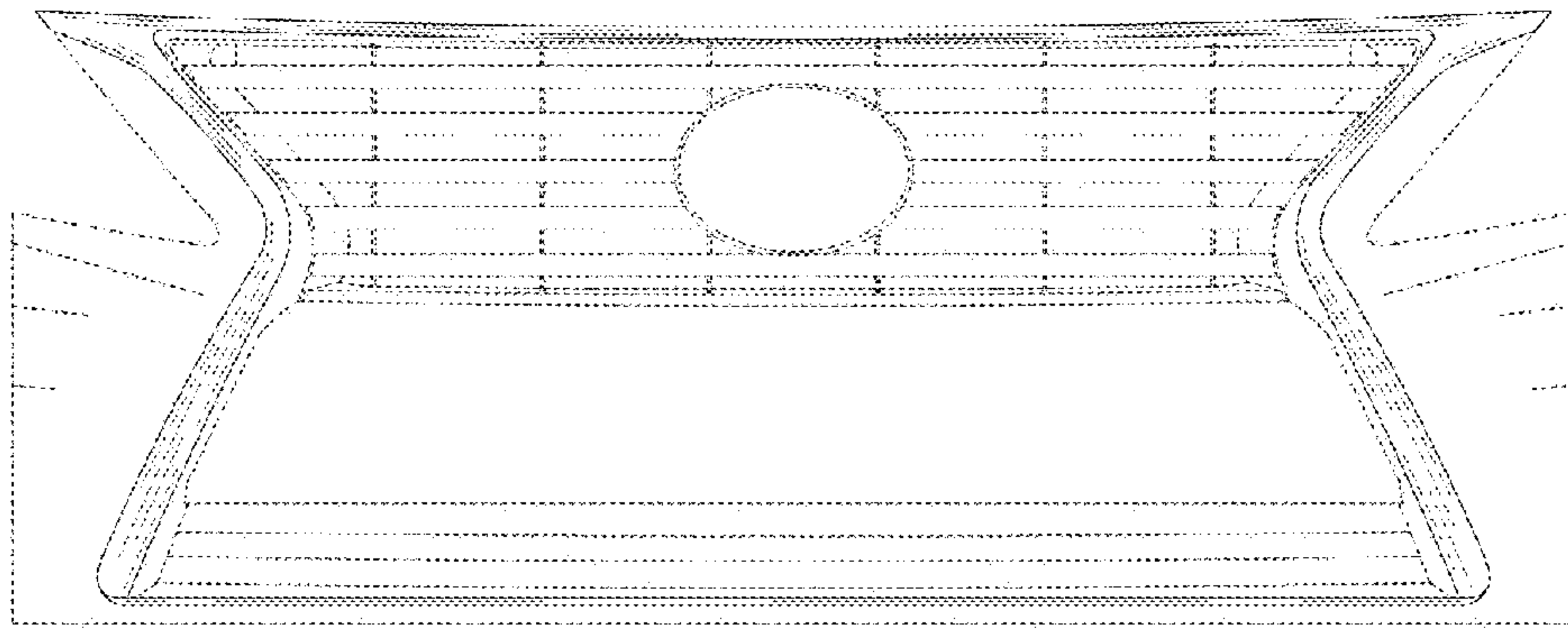


FIG. 8