



US00D705704S

(12) **United States Design Patent**
Lane

(10) **Patent No.:** **US D705,704 S**

(45) **Date of Patent:** **** May 27, 2014**

(54) **TOW HITCH LIFT SLEEVE**

(71) Applicant: **Layke Lane**, Springfield, IL (US)

(72) Inventor: **Layke Lane**, Springfield, IL (US)

(**) Term: **14 Years**

(21) Appl. No.: **29/461,281**

(22) Filed: **Jul. 21, 2013**

(51) **LOC (10) Cl.** **12-16**

(52) **U.S. Cl.**
USPC **D12/162**

(58) **Field of Classification Search**

USPC D12/162, 159, 161, 160; 56/DIG. 14;
37/399; 280/406.2, 407, 407.1, 408,
280/411.1, 416.1, 416.2, 416.3, 418, 418.1,
280/433, 434, 435, 441.1, 441.2, 455.1,
280/456.1, 480, 493, 504, 507, 508;
224/42.11, 42.12, 42.14, 42.26, 400,
224/401, 412, 413, 488, 494, 500-501, 519,
224/537; 135/88.05; 150/166

See application file for complete search history.

(56) **References Cited**

U.S. PATENT DOCUMENTS

6,974,148 B2 * 12/2005 Moss et al. 280/511
7,204,505 B2 * 4/2007 Moss 280/491.1

* cited by examiner

Primary Examiner — Katrina A Betton

(74) *Attorney, Agent, or Firm* — Law Office of Robert M. Patino

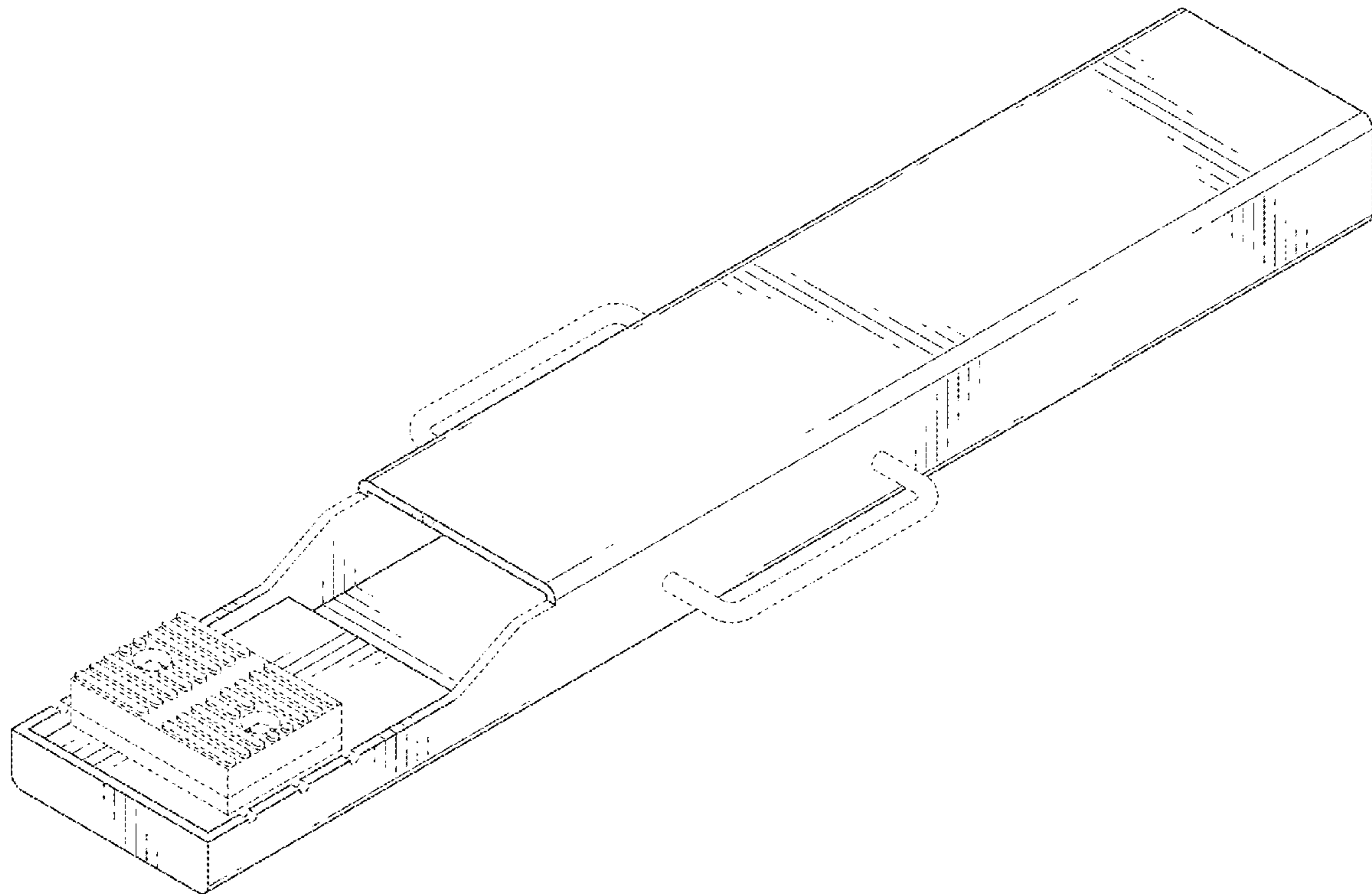
(57) **CLAIM**

The ornamental design for a tow hitch lift sleeve, as shown and described.

DESCRIPTION

FIG. 1 is a top front perspective view of a tow hitch lift sleeve showing my new design;
FIG. 2 is a side plan view thereof;
FIG. 3 is a top plan view thereof;
FIG. 4 is a bottom plan view thereof;
FIG. 5 is a front plan view thereof; and,
FIG. 6 is a rear plan view thereof.

1 Claim, 3 Drawing Sheets



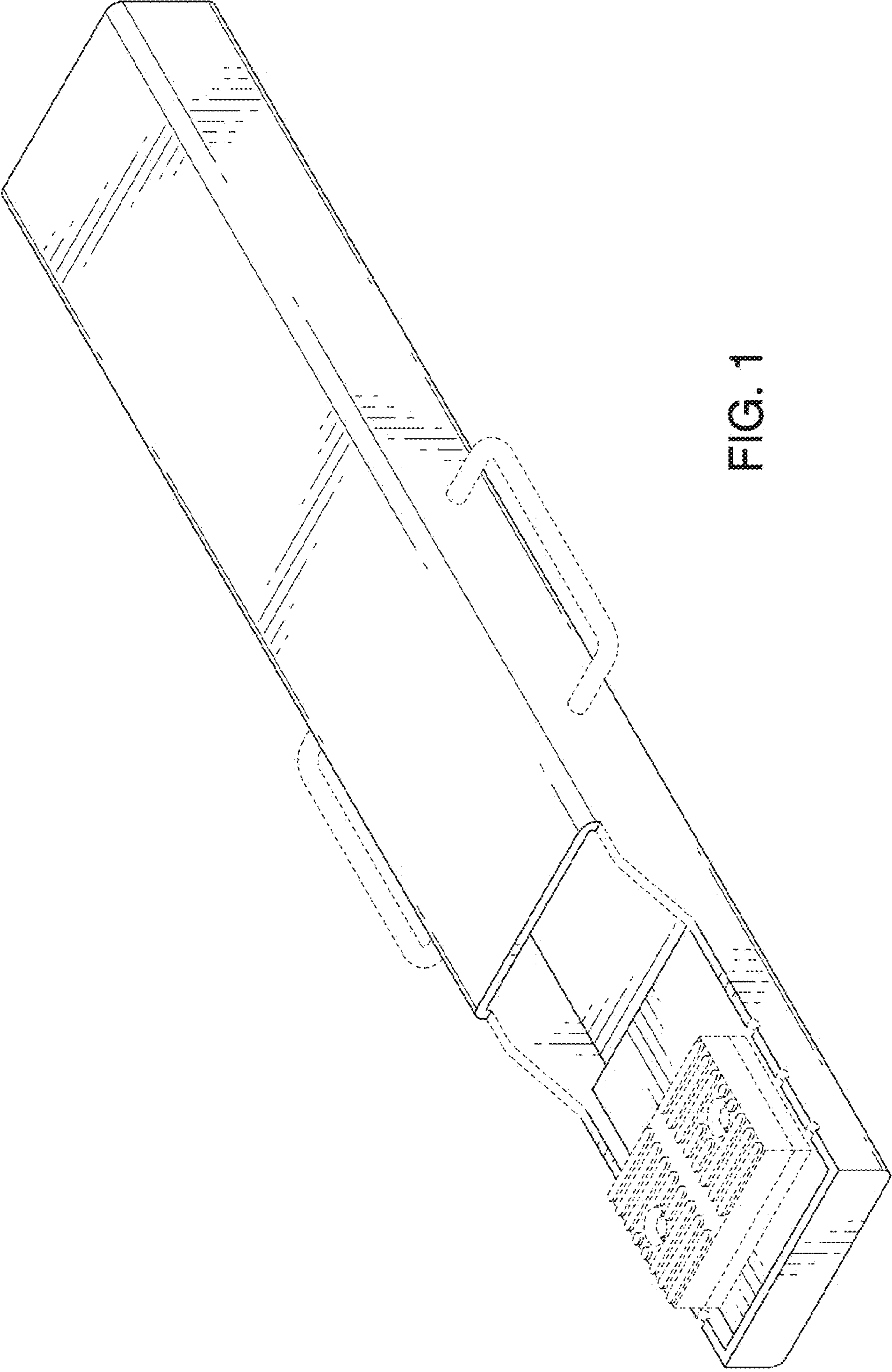


FIG. 1

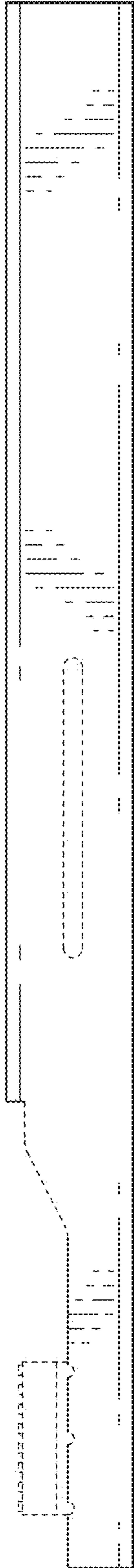


FIG. 2

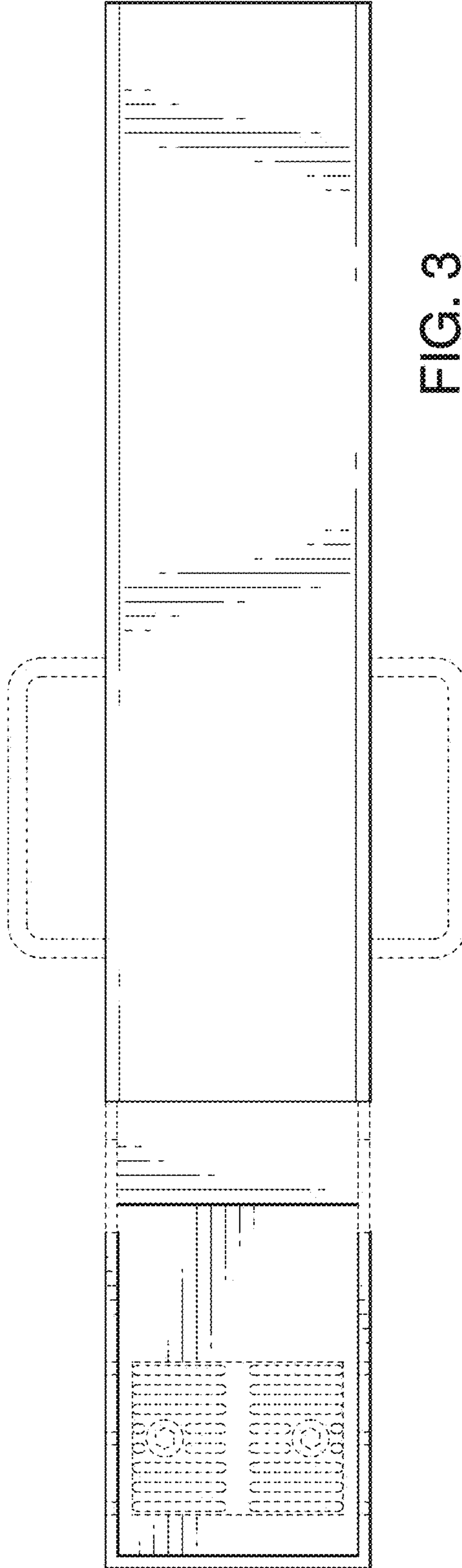


FIG. 3

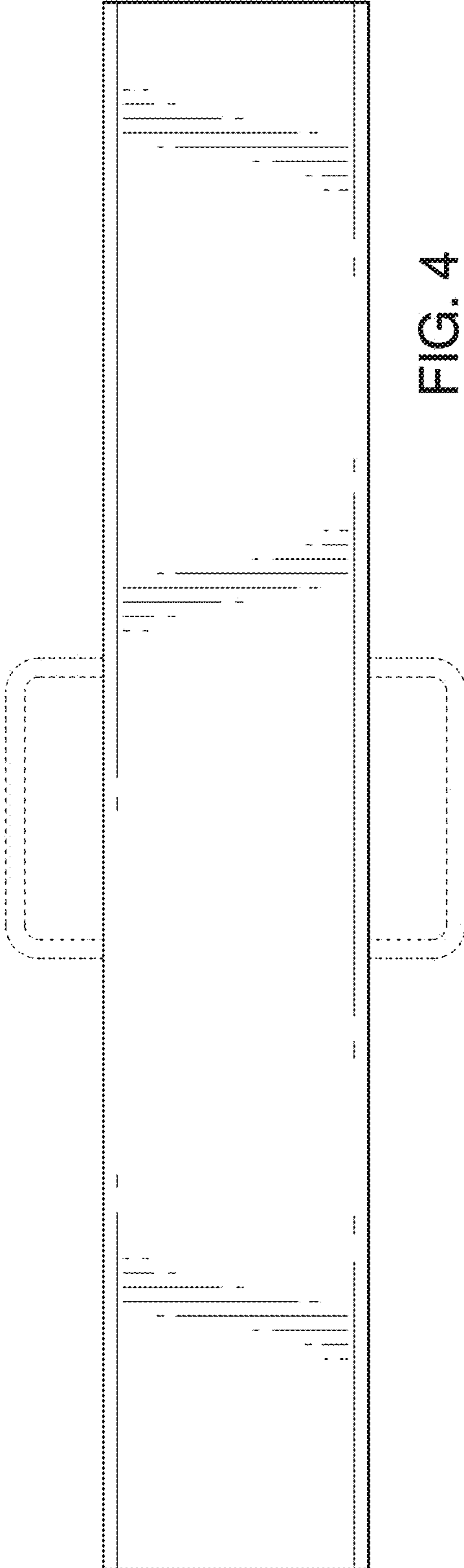


FIG. 4

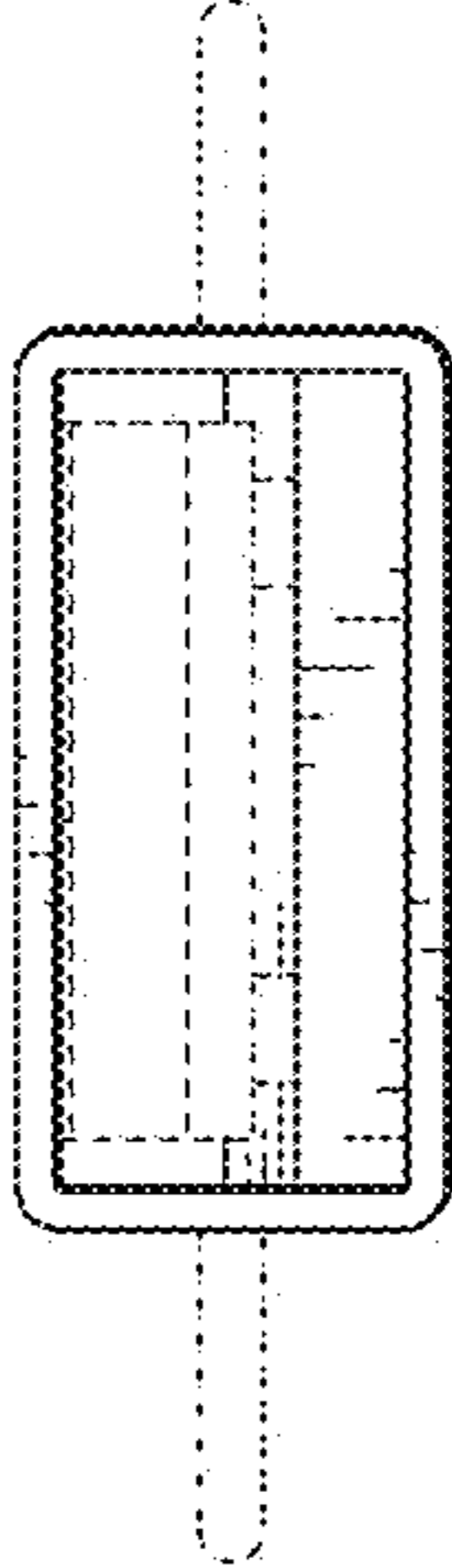


FIG. 6

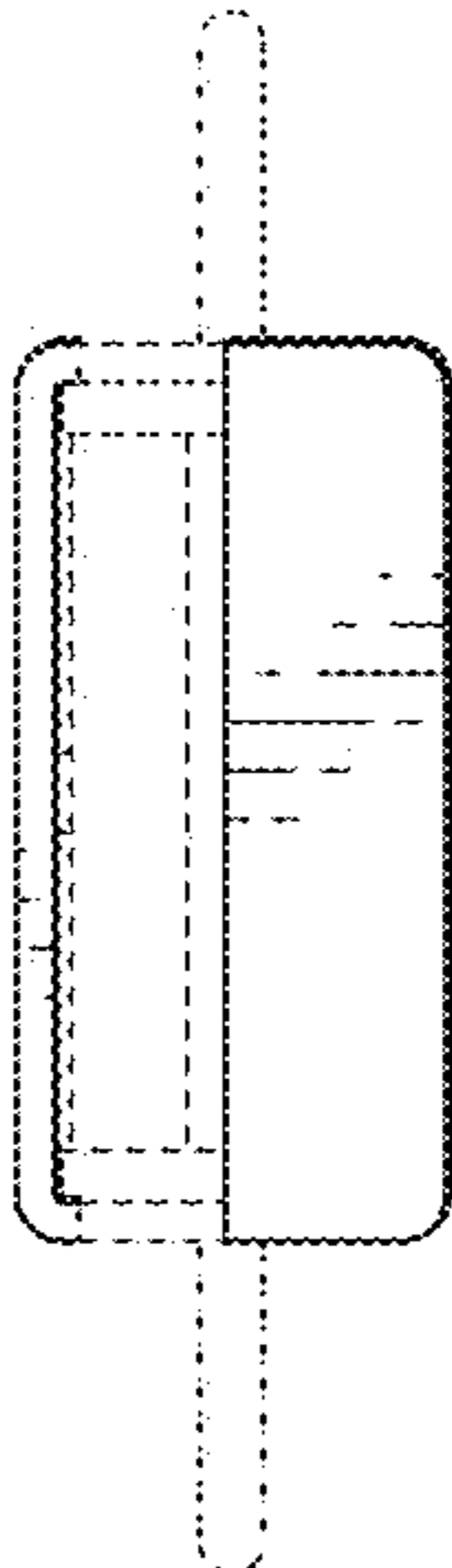


FIG. 5