



US00D705703S

(12) **United States Design Patent**
Seidenberg

(10) **Patent No.:** **US D705,703 S**

(45) **Date of Patent:** **** May 27, 2014**

(54) **DOLLY FRAME FITTING**

(71) Applicant: **Dynamic Dollies & Racks, LLC,**
Portsmouth, RI (US)

(72) Inventor: **Peter Seidenberg,** Portsmouth, RI (US)

(73) Assignee: **Dynamic Dollies & Racks, LLC,**
Portsmouth, RI (US)

(**) Term: **14 Years**

(21) Appl. No.: **29/475,103**

(22) Filed: **Nov. 28, 2013**

(51) **LOC (10) Cl.** **12-10**

(52) **U.S. Cl.**
USPC **D12/106**

(58) **Field of Classification Search**
USPC D12/106, 19, 129, 100-105, 111-112;
D21/425, 435; D34/21-26, 12, 16-19;
280/204, 205, 63, 475, 482, 647;
296/168, 180, 180.02, 61, 10,
296/100.01-100.08

See application file for complete search history.

(56) **References Cited**

U.S. PATENT DOCUMENTS

D327,969	S	*	7/1992	Budrow et al.	D34/31
D349,800	S	*	8/1994	Chambers	D34/31
D354,607	S	*	1/1995	Lanigan et al.	D34/33
D376,336	S	*	12/1996	Unruh	D12/106
6,227,554	B1	*	5/2001	Mueller	280/86.757

* cited by examiner

Primary Examiner — Katrina A Betton

(74) *Attorney, Agent, or Firm* — Barlow, Josephs & Holmes, Ltd.

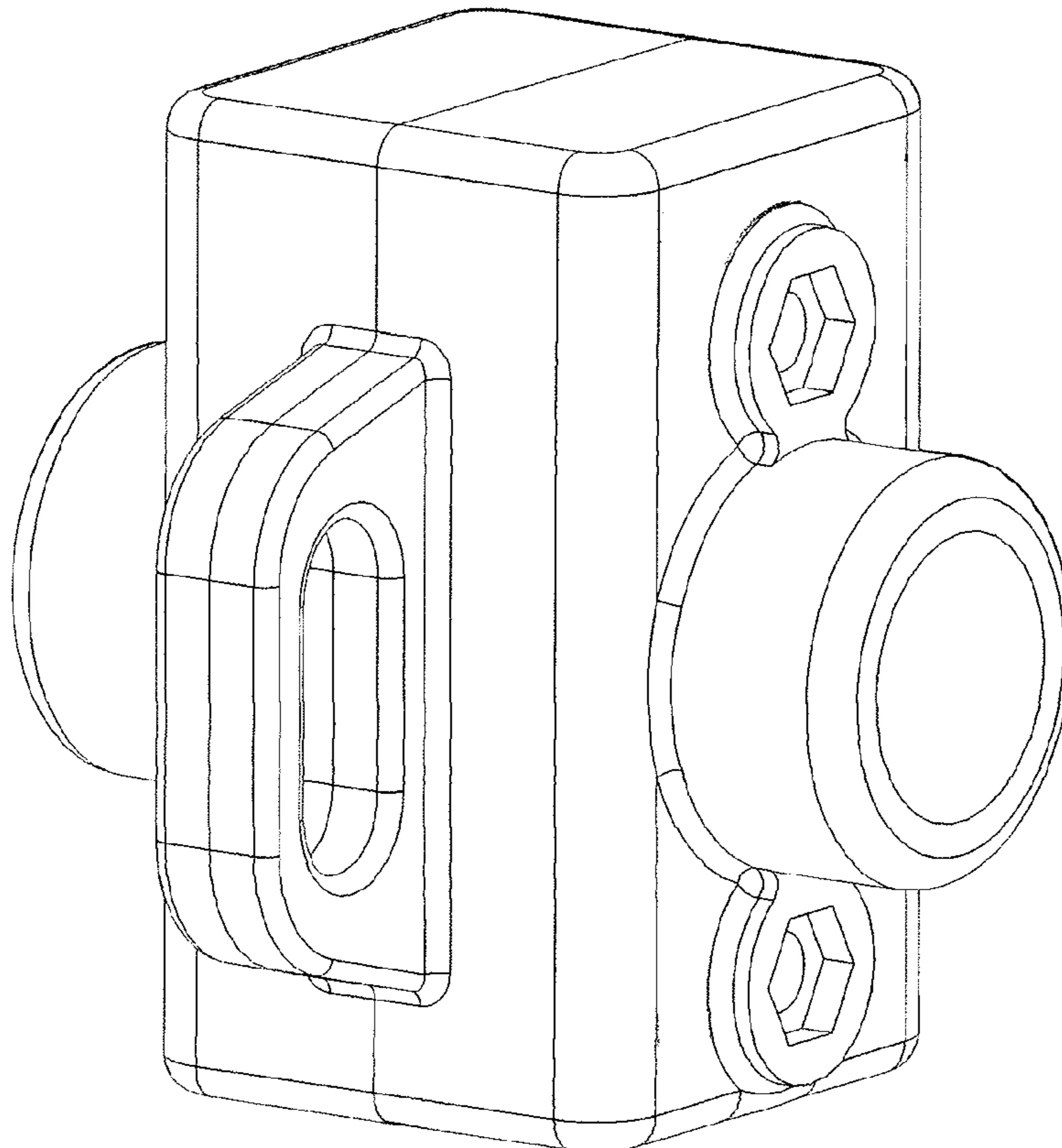
(57) **CLAIM**

The ornamental design for dolly frame fitting, as shown and described.

DESCRIPTION

FIG. 1 is a perspective view of the dolly frame fitting in accordance with the present invention;
FIG. 2 is a front view thereof;
FIG. 3 is a top view thereof;
FIG. 4 is a right view thereof;
FIG. 5 is a rear view thereof;
FIG. 6 is a left view thereof; and,
FIG. 7 is a bottom view thereof.

1 Claim, 7 Drawing Sheets



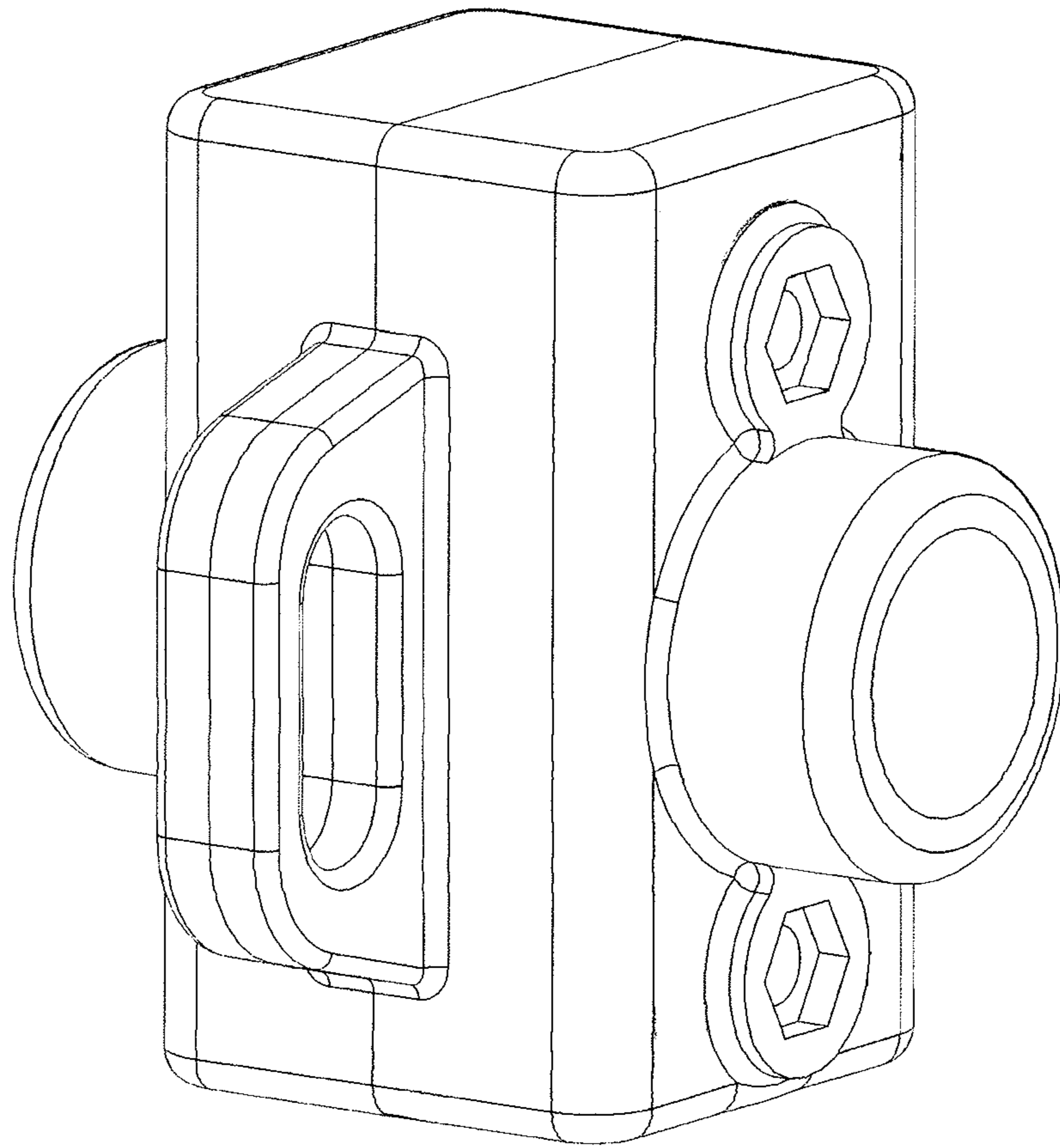


Fig. 1

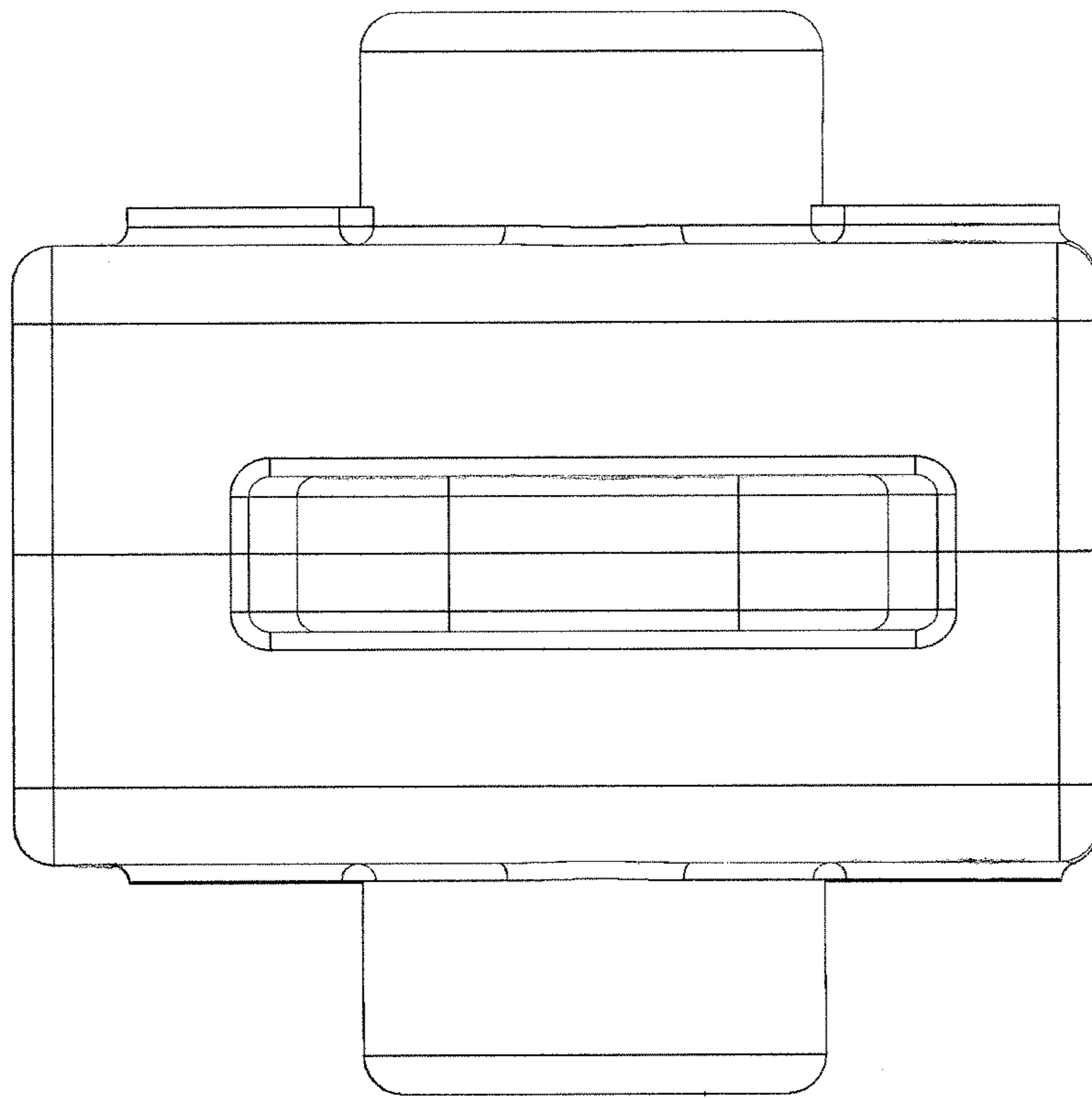


Fig. 2

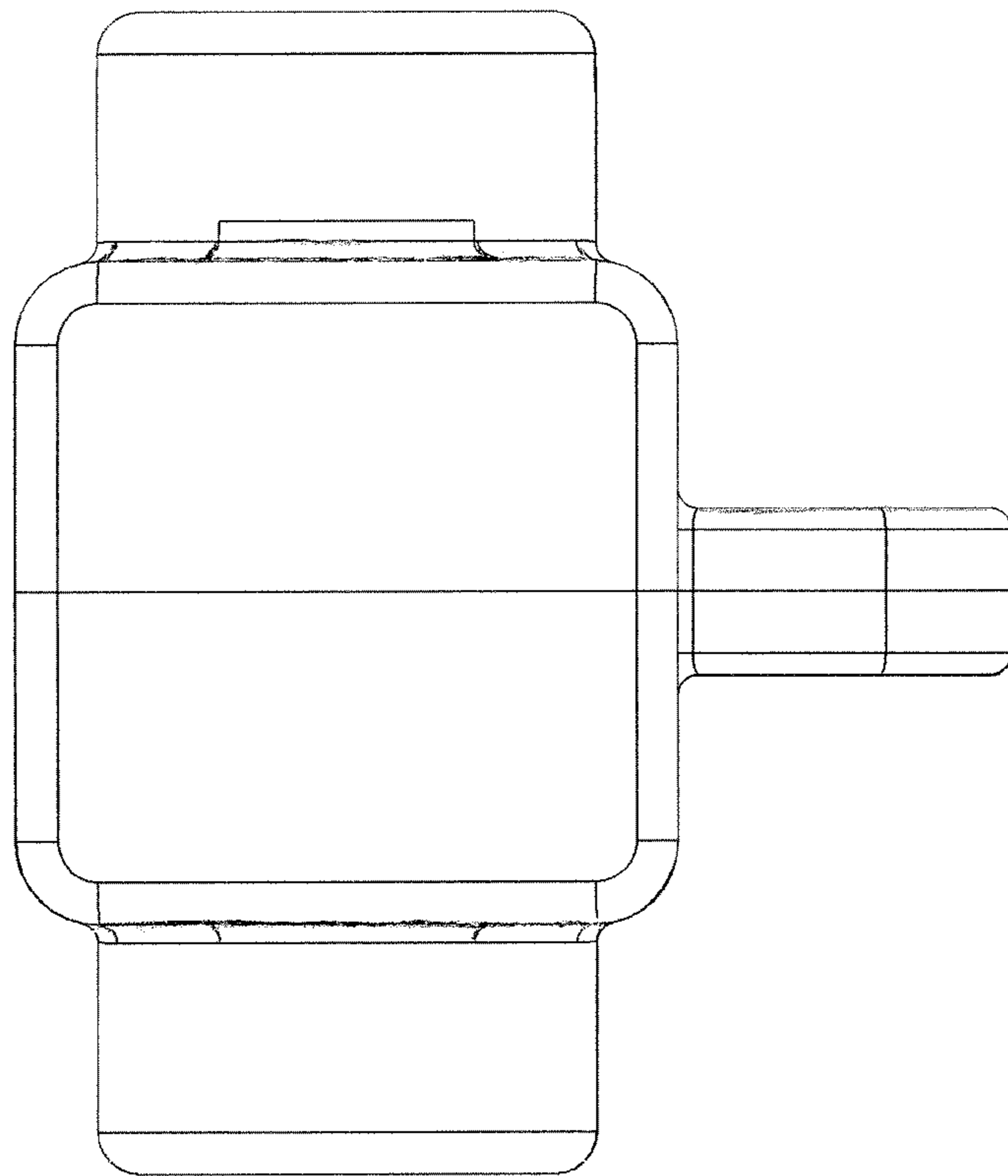


Fig. 3

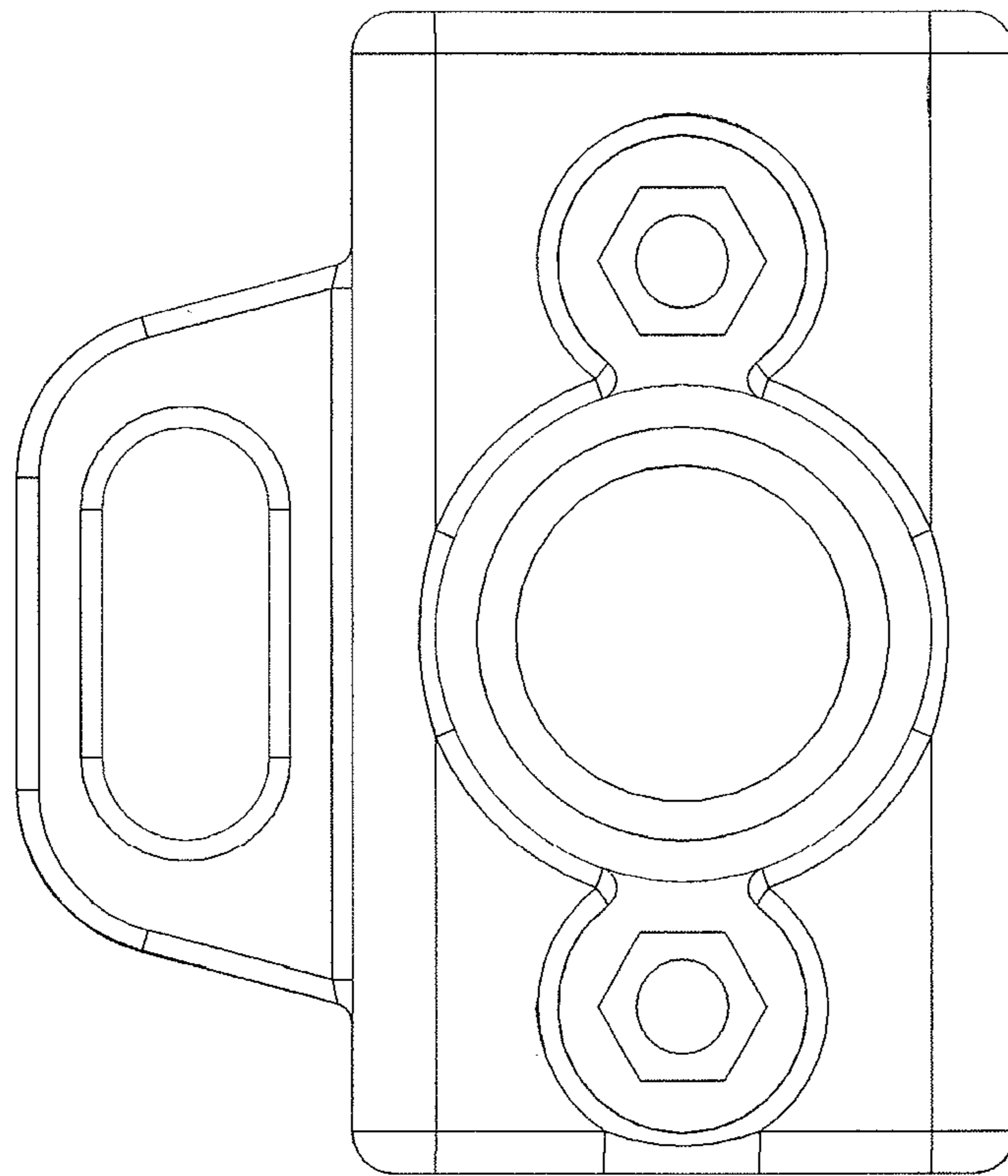


Fig. 4

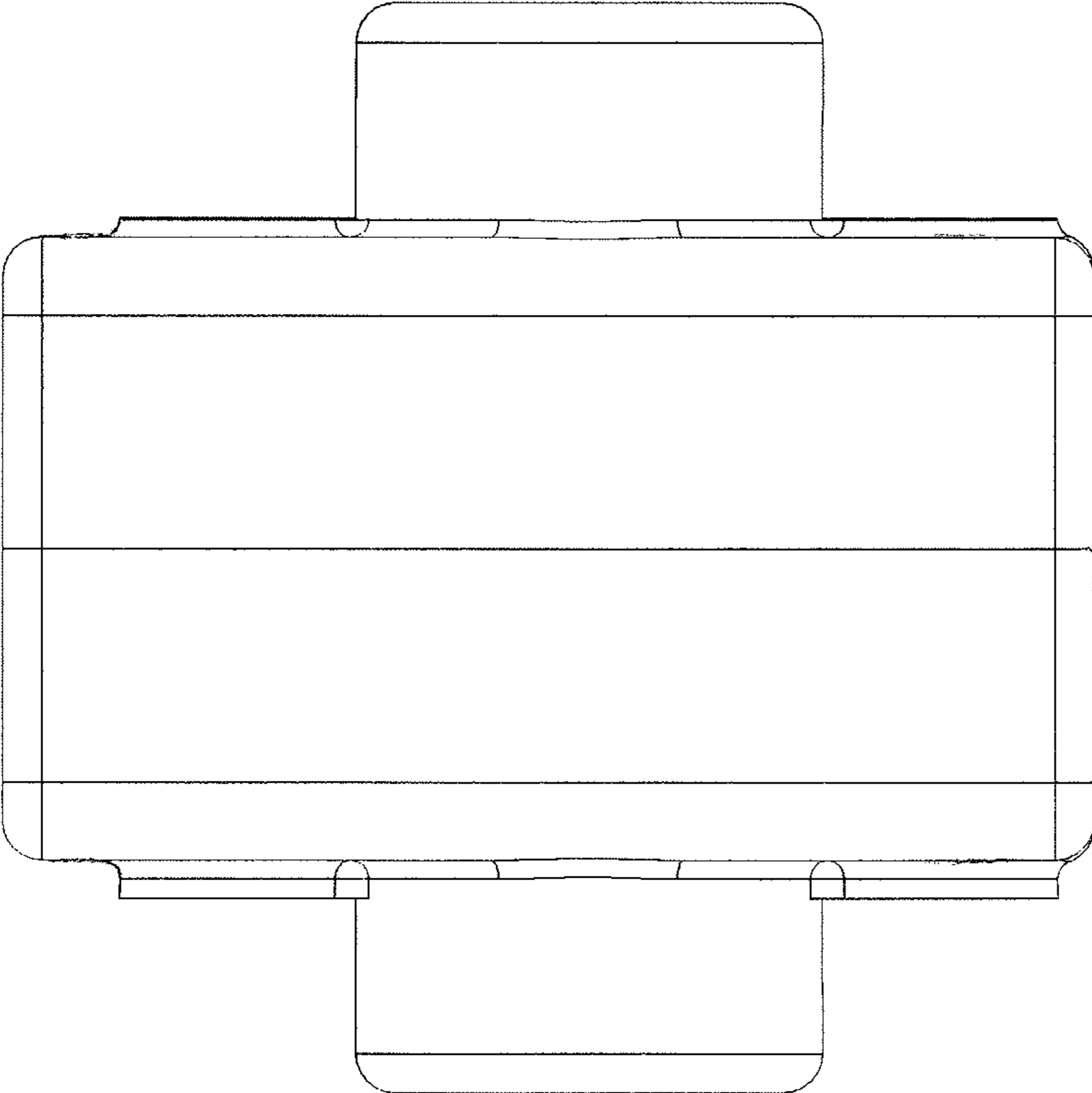


Fig. 5

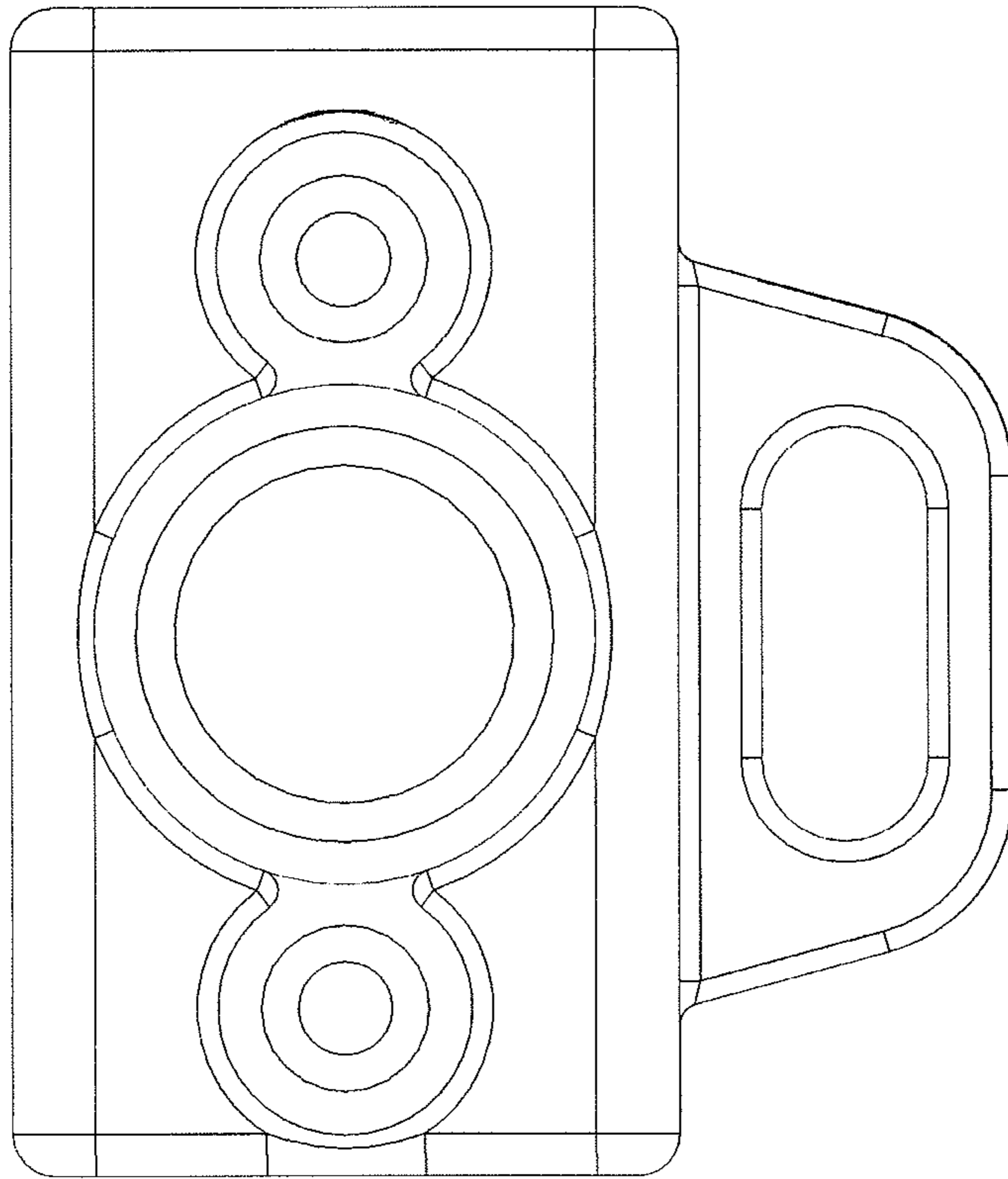


Fig. 6

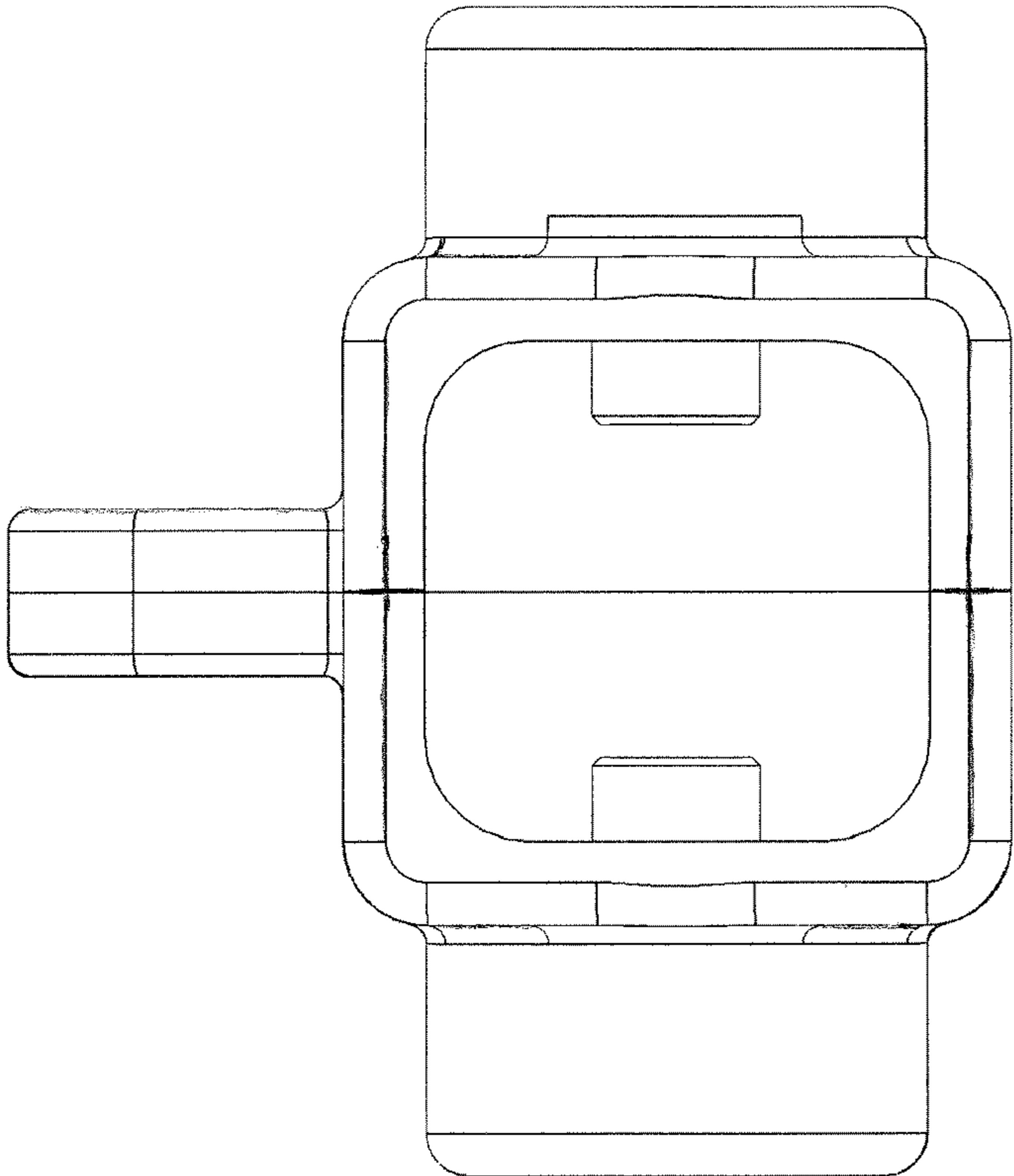


Fig. 7