



US00D705698S

(12) **United States Design Patent**
Iannello et al.

(10) **Patent No.:** **US D705,698 S**

(45) **Date of Patent:** **** May 27, 2014**

(54) **RAIL TENDING DEVICE**

(56) **References Cited**

(71) Applicant: **Illinois Tool Works Inc.**, Glenview, IL (US)

U.S. PATENT DOCUMENTS

7,490,401 B2 * 2/2009 Mossbeck et al. 29/798
7,975,934 B2 * 7/2011 Young 238/349

(72) Inventors: **Christopher A. J. Iannello**, Rolling Meadows, IL (US); **Martin J Nilsen**, Hampshire, IL (US); **Michael B Grimm**, Evanston, IL (US)

* cited by examiner

Primary Examiner — T. Chase Nelson

Assistant Examiner — Ania Aman

(73) Assignee: **Illinois Tool Works Inc.**, Glenview, IL (US)

(74) *Attorney, Agent, or Firm* — Mark W. Croll; Paul F. Donovan

(**) Term: **14 Years**

(57) **CLAIM**

(21) Appl. No.: **29/451,462**

The ornamental design for a rail tending device, as shown and described.

(22) Filed: **Apr. 2, 2013**

DESCRIPTION

Related U.S. Application Data

(63) Continuation-in-part of application No. 29/445,755, filed on Feb. 15, 2013.

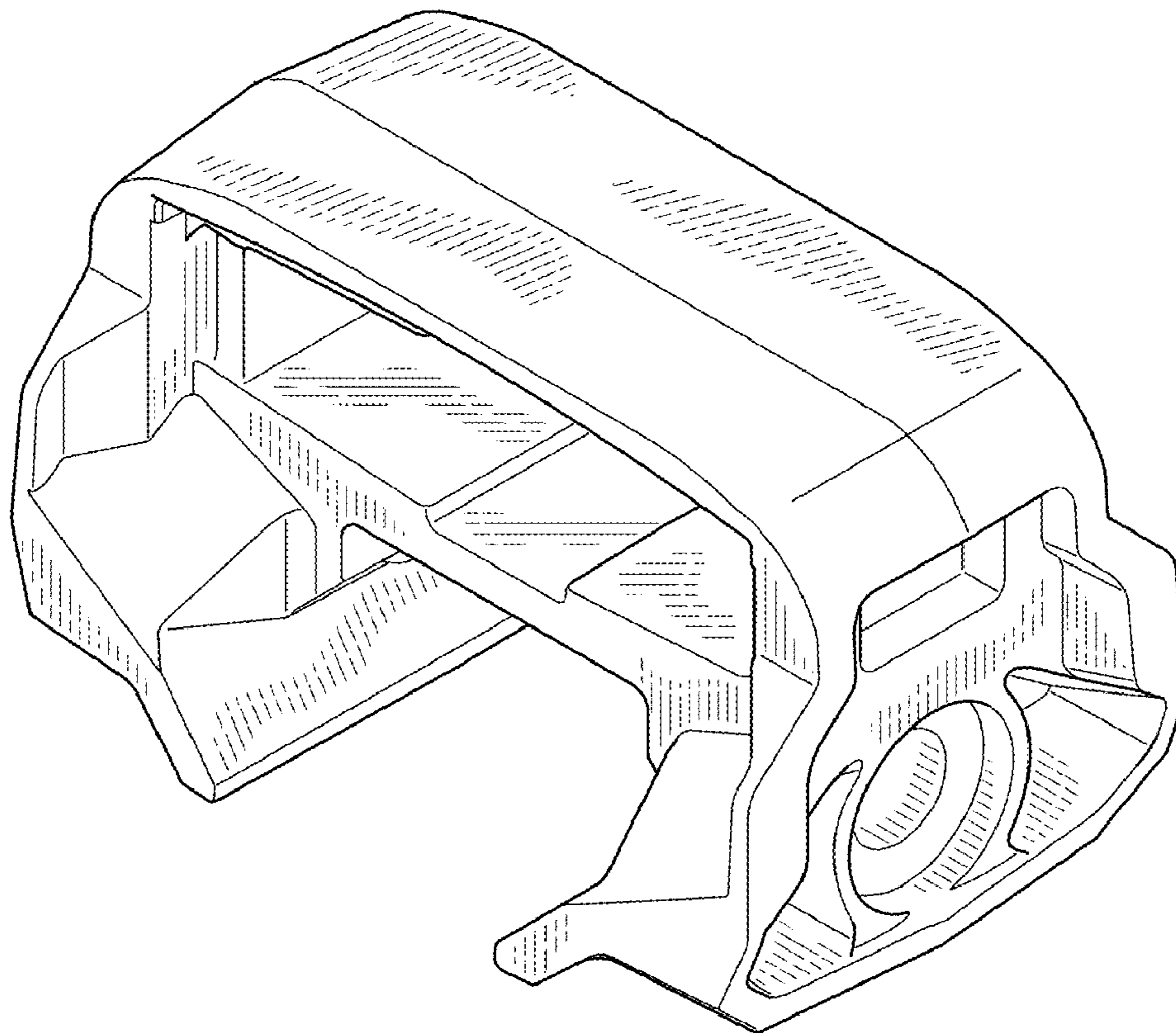
FIG. 1 is a perspective view of the rail tending device showing the new design;
FIG. 2 is a back side view thereof;
FIG. 3 is a front side view thereof;
FIG. 4 is a left side view thereof;
FIG. 5 is a right side view thereof;
FIG. 6 is a bottom view thereof; and,
FIG. 7 is a top view thereof.

(51) **LOC (10) Cl.** **12-03**

(52) **U.S. Cl.**
USPC **D12/49**

(58) **Field of Classification Search**
USPC 238/349, 310; D12/36-51; 198/400
See application file for complete search history.

1 Claim, 4 Drawing Sheets



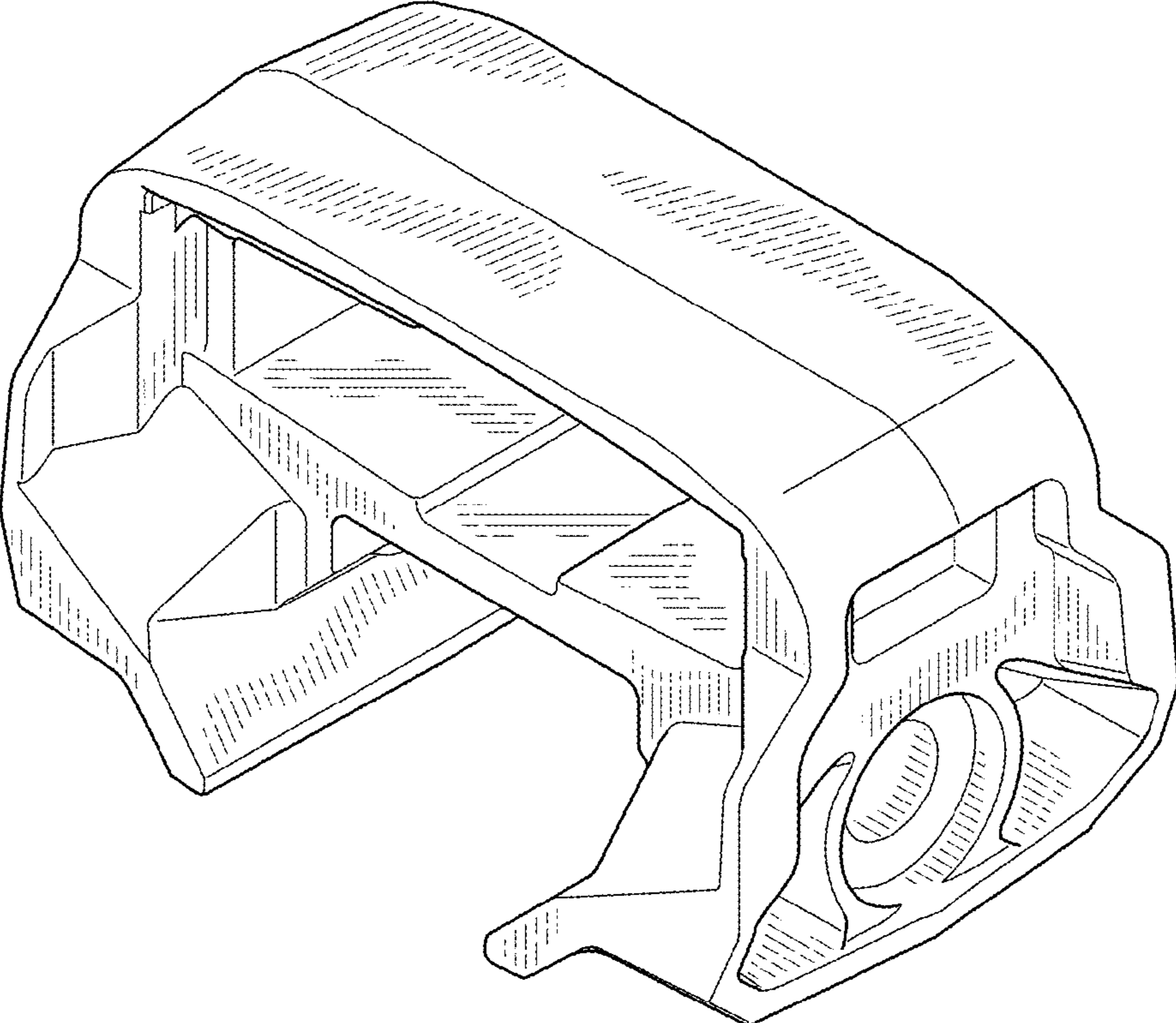


FIG. 1

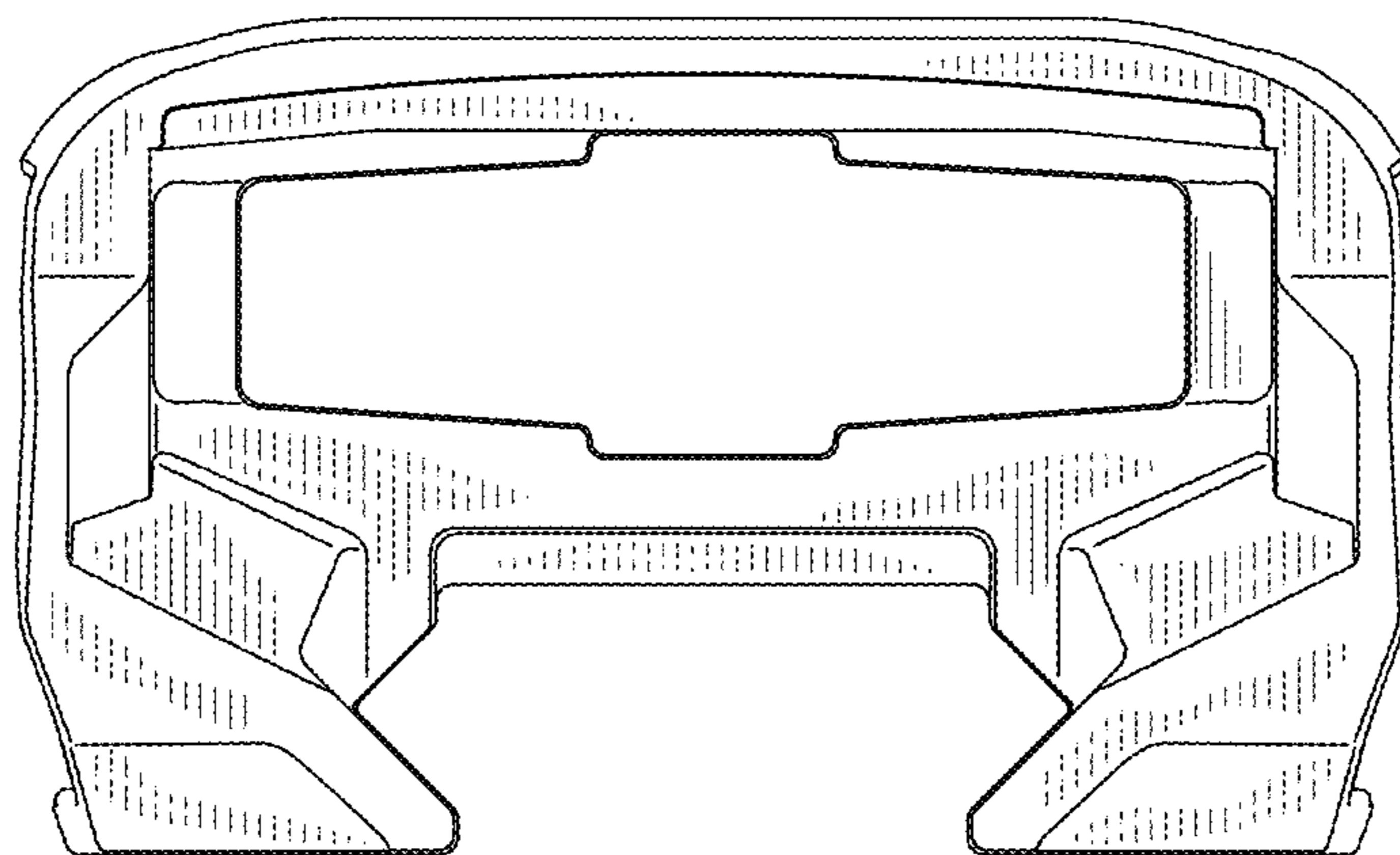


FIG. 2

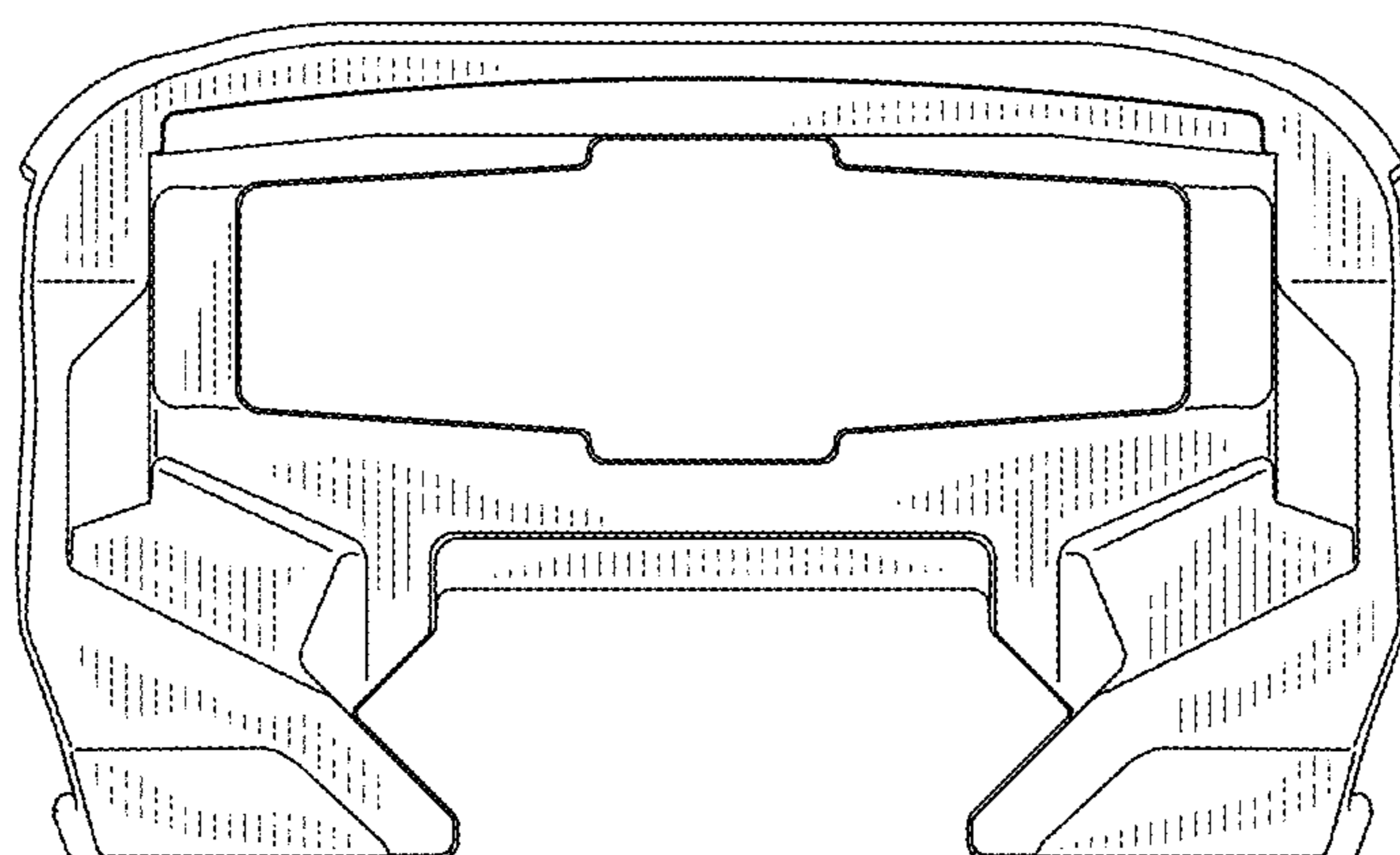


FIG. 3

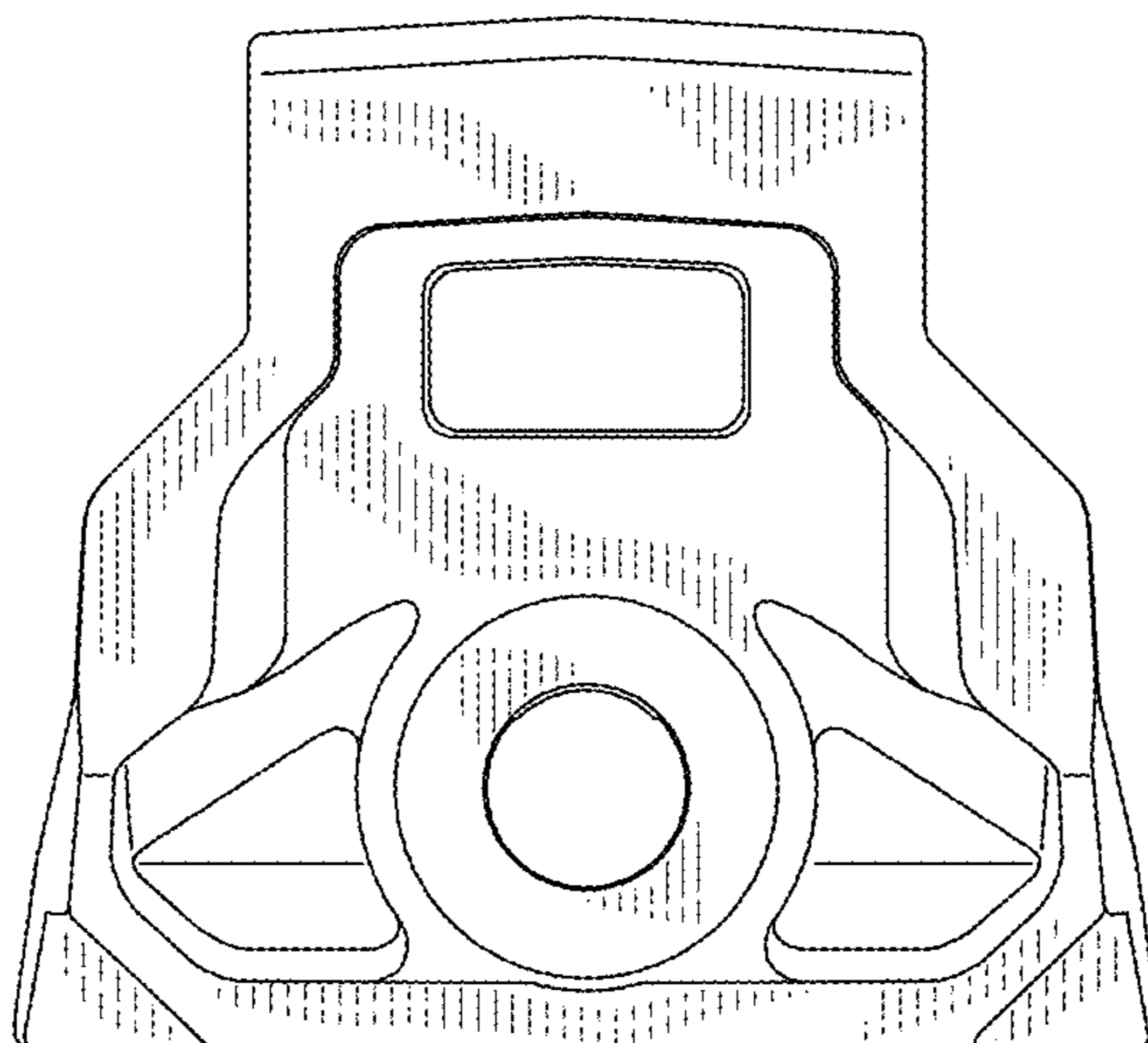


FIG. 4

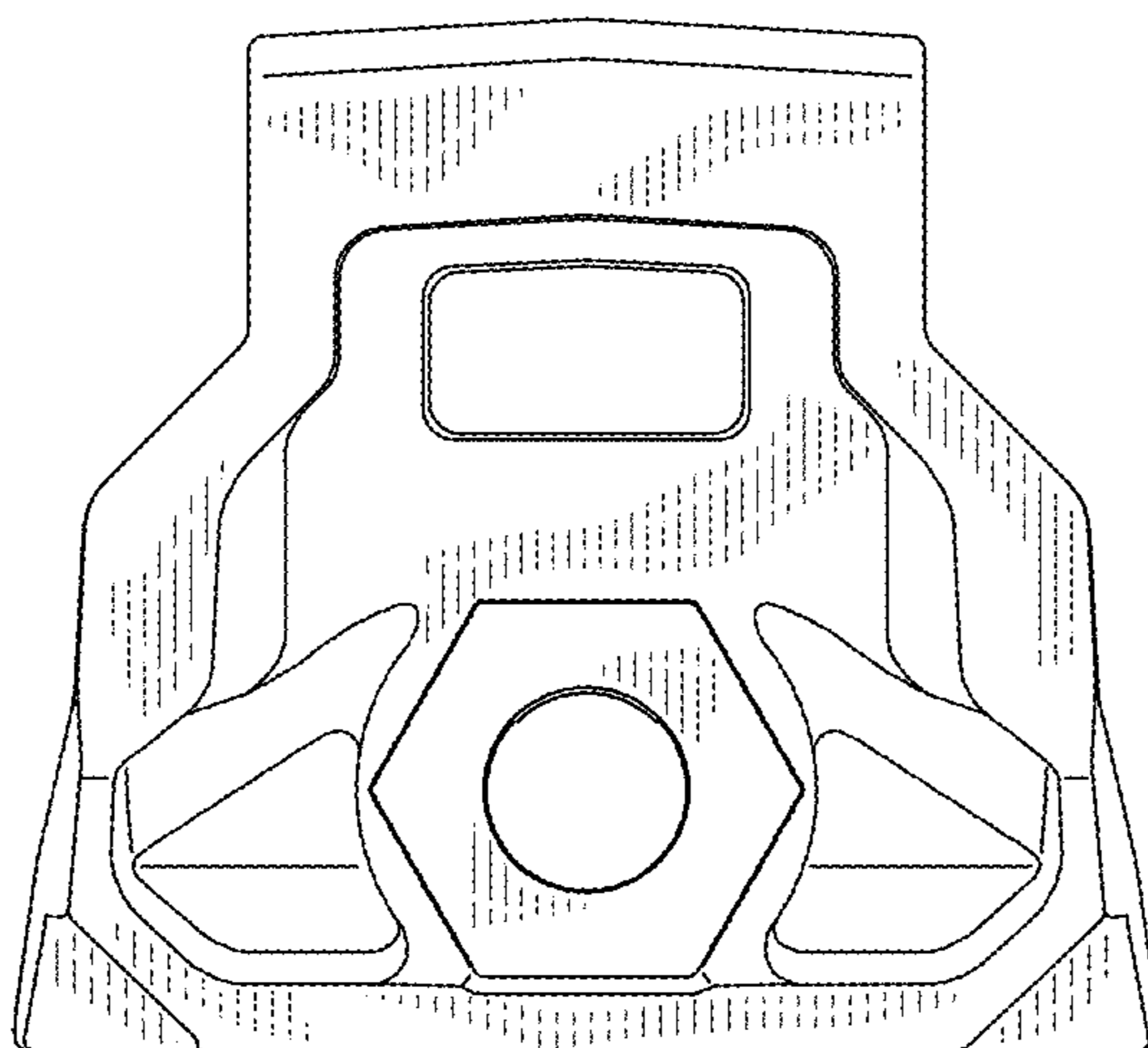


FIG. 5

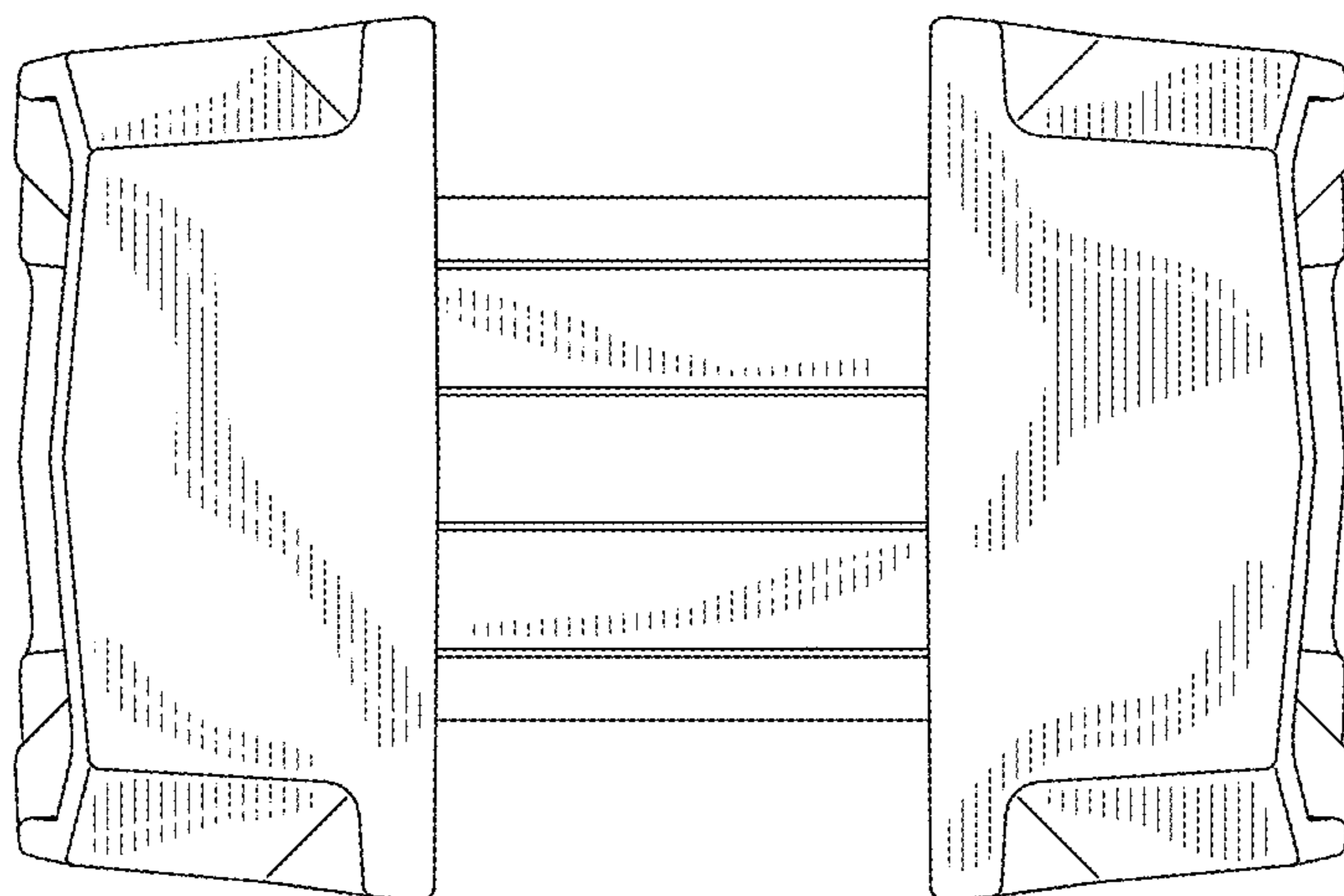


FIG. 6

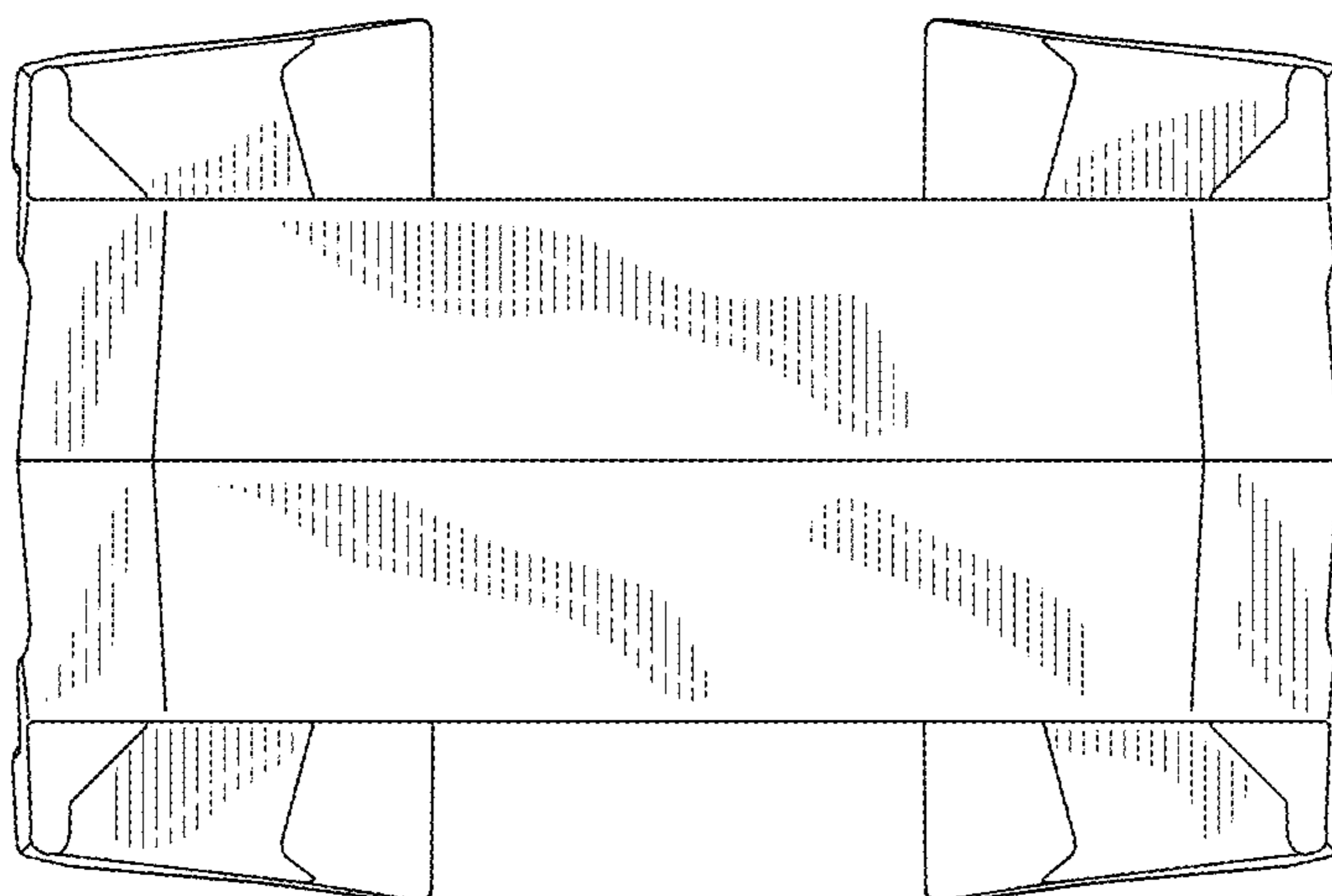


FIG. 7