



US00D705696S

(12) **United States Design Patent**  
**Hicks, Jr. et al.**

(10) **Patent No.:** **US D705,696 S**

(45) **Date of Patent:** **\*\* May 27, 2014**

(54) **BELT BUCKLE WITH REMOVABLE PROMOTIONAL ITEM**

(71) Applicants: **Marshall Hicks, Jr.**, Cleburne, TX (US);  
**Marshall Hicks, III**, Cleburne, TX (US)

(72) Inventors: **Marshall Hicks, Jr.**, Cleburne, TX (US);  
**Marshall Hicks, III**, Cleburne, TX (US)

(\*\*) Term: **14 Years**

(21) Appl. No.: **29/457,588**

(22) Filed: **Jun. 11, 2013**

(51) **LOC (10) Cl.** ..... **02-07**

(52) **U.S. Cl.**  
USPC ..... **D11/201**

(58) **Field of Classification Search**  
USPC ..... D11/1-2, 200-201, 206-210, 214-218;  
24/163 R, 169-171, 173, 177-179, 191,  
24/194-195, 197, 200, 614-616, 625, 198,  
24/3.7; D28/77

See application file for complete search history.

(56) **References Cited**

**U.S. PATENT DOCUMENTS**

D85,267 S *	9/1931	Vallaguzza	.....	D11/201
3,148,426 A *	9/1964	Lesser et al.	.....	24/3.7
D200,311 S *	2/1965	Lesser et al.	.....	D11/201
4,562,620 A *	1/1986	Oliver, Jr.	.....	24/163 K
D309,280 S *	7/1990	Balfanz-Lee	.....	D11/215
D632,216 S *	2/2011	Shani et al.	.....	D11/216
D632,612 S *	2/2011	Shani et al.	.....	D11/216

\* cited by examiner

*Primary Examiner* — Ralf Seifert

(74) *Attorney, Agent, or Firm* — James E. Walton; Damon R. Hickman

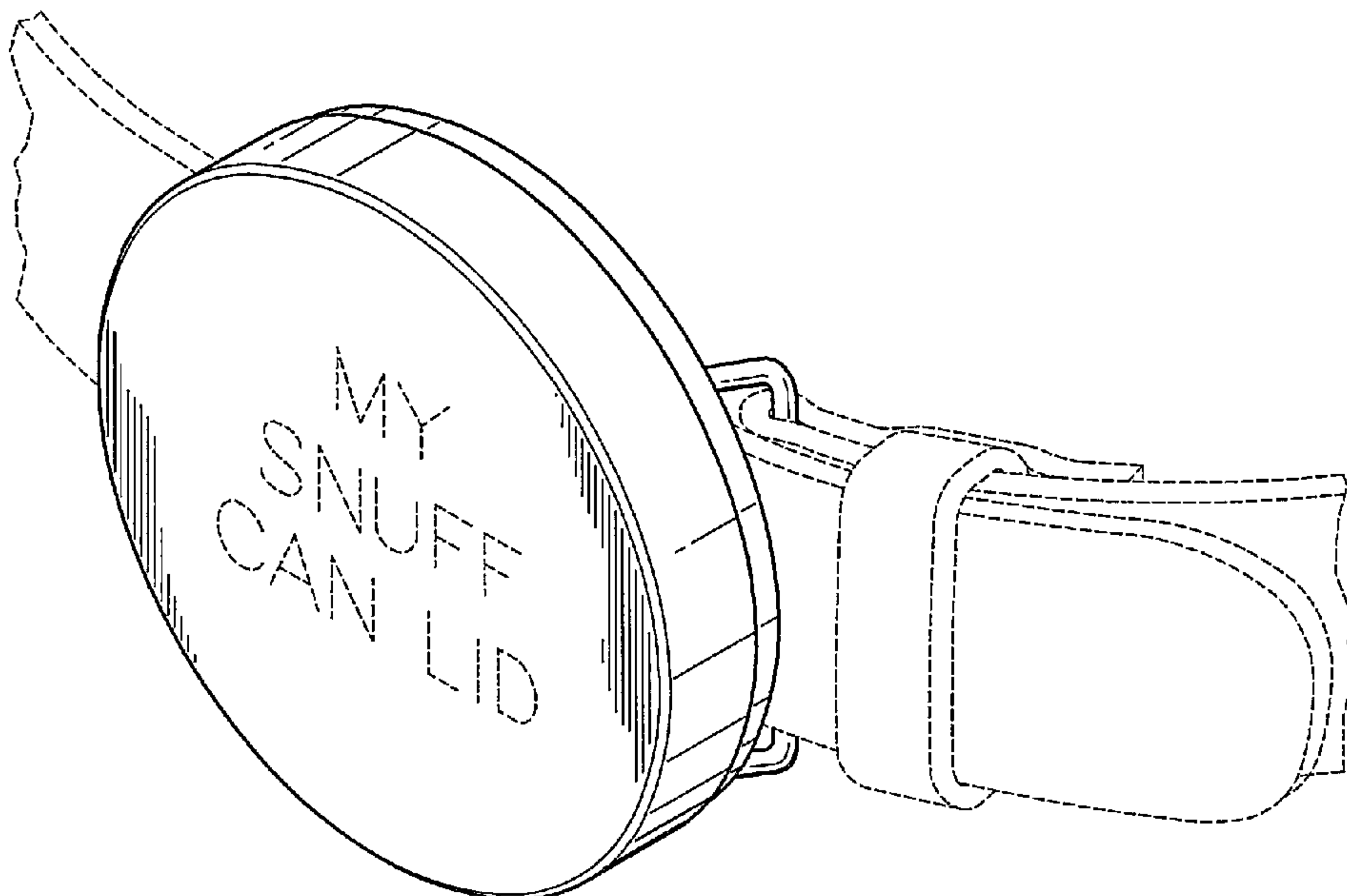
(57) **CLAIM**

The ornamental design for a belt buckle with removable promotional item, as shown and described.

**DESCRIPTION**

FIG. 1 is an oblique view of the belt buckle with removable promotional item according to the present application.  
 FIG. 2 is a front view of the belt buckle with removable promotional item according to the present application.  
 FIG. 3 is a right side view of the belt buckle with removable promotional item according to the present application.  
 FIG. 4 is a left side view of the belt buckle with removable promotional item according to the present application.  
 FIG. 5 is a rear view of the belt buckle with removable promotional item according to the present application.  
 FIG. 6 is a top view of the belt buckle with removable promotional item according to the present application. The bottom view is a mirror image of the top view.  
 FIG. 7 is an exploded oblique view of the belt buckle with removable promotional item according to the present application; and,  
 FIG. 8 is an exploded right side view of the belt buckle with removable promotional item according to the present application.  
 The broken lines are included for the purpose of illustrating environmental structure and form no part of the claimed design.

**1 Claim, 3 Drawing Sheets**



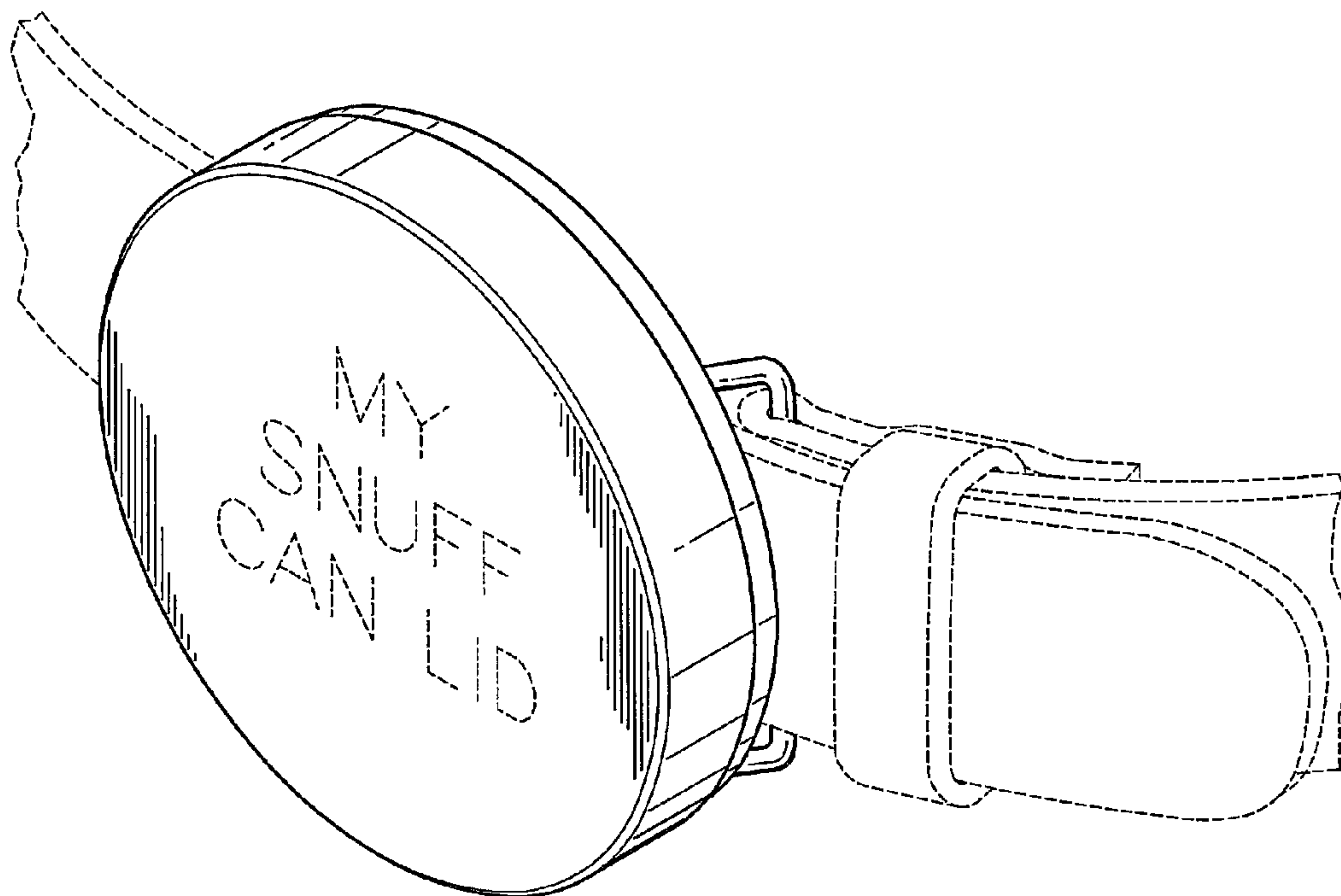


FIG. 1



FIG. 2

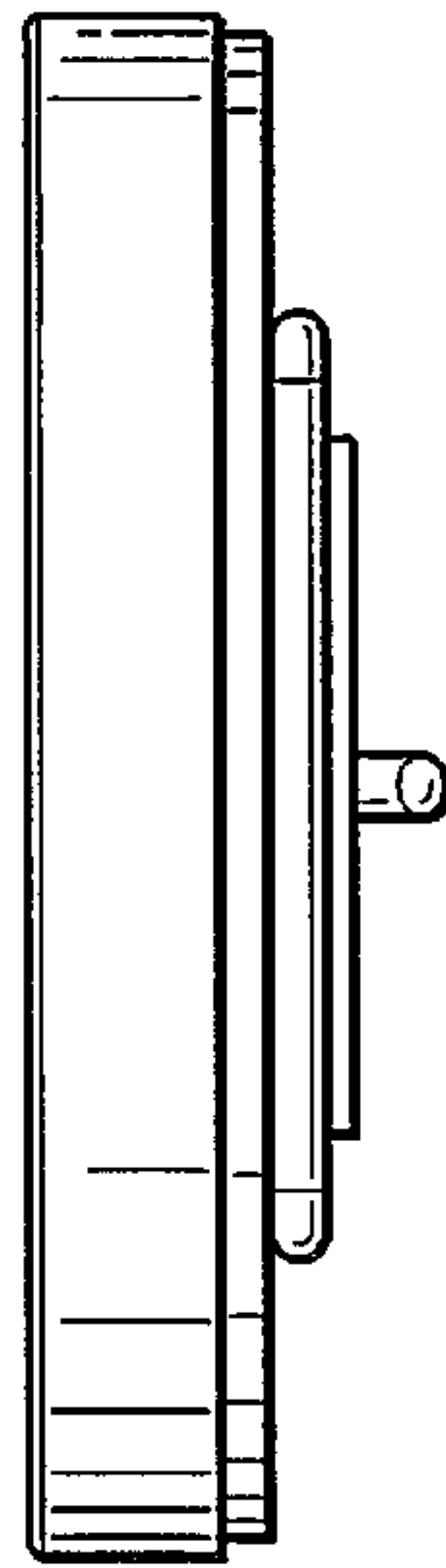


FIG. 3

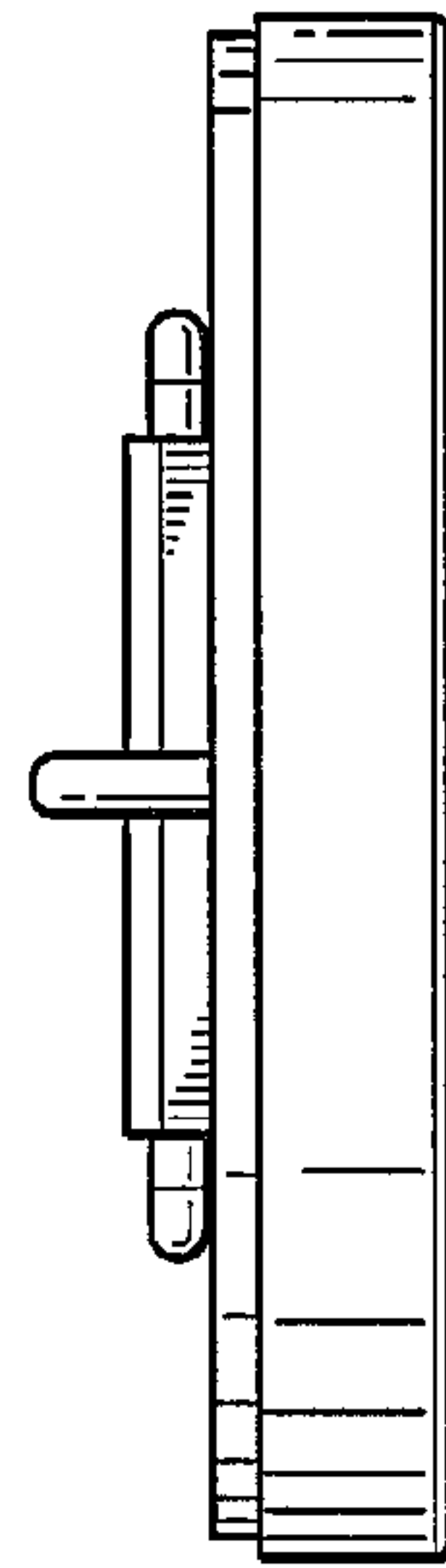


FIG. 4

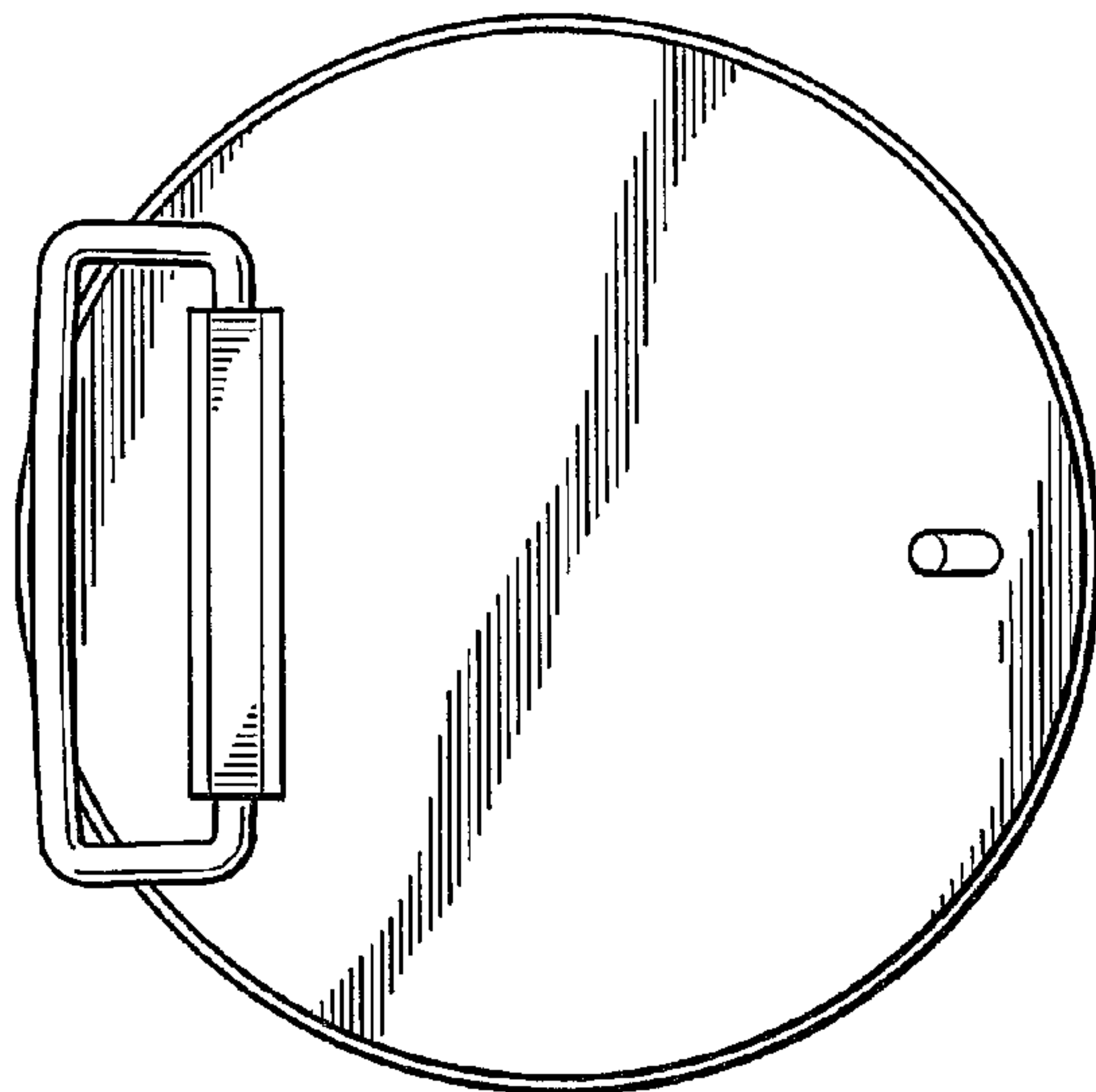


FIG. 5

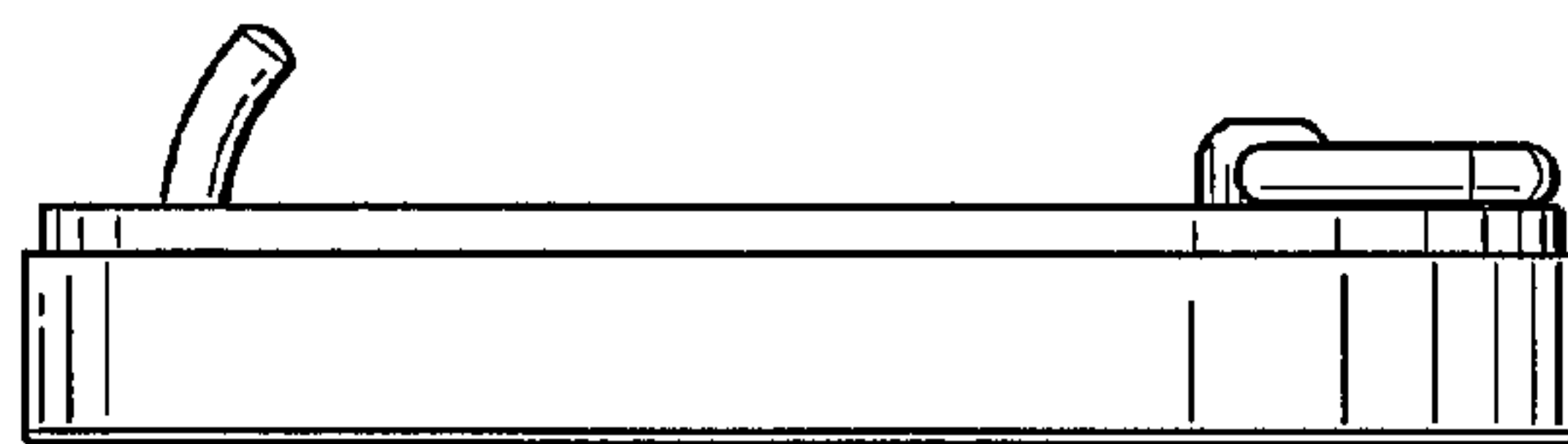


FIG. 6

