



US00D705691S

(12) **United States Design Patent**
Mezhibovsky

(10) **Patent No.:** **US D705,691 S**

(45) **Date of Patent:** **** May 27, 2014**

(54) **RING**

(71) Applicant: **Leon Mege Inc.**, New York, NY (US)

(72) Inventor: **Leonid Mezhibovsky**, New York, NY (US)

(73) Assignee: **Leon Mege Inc.**, New York, NY (US)

(**) Term: **14 Years**

(21) Appl. No.: **29/459,802**

(22) Filed: **Jul. 3, 2013**

(51) **LOC (10) Cl.** **11-01**

(52) **U.S. Cl.**
USPC **D11/26**

(58) **Field of Classification Search**
USPC D11/3-6, 26-39; 63/15, 15.1-15.4,
63/15.45, 15.5, 15.6, 15.65, 15.7, 26-28
See application file for complete search history.

(56) **References Cited**

U.S. PATENT DOCUMENTS

D51,448 S *	10/1917	Weiner et al.	D11/26
D242,645 S *	12/1976	Shorin et al.	D11/27
D299,489 S *	1/1989	Wood	D11/30
D308,648 S *	6/1990	James et al.	D11/26
D309,278 S *	7/1990	Mejias	D11/35
D446,626 S *	8/2001	Huang	D1/102
2008/0034791 A1 *	2/2008	Arcadi	63/15

OTHER PUBLICATIONS

[online] <http://pictures.picpedia.com/2013/07/Record%20Player%20Ring.jpg>. Accessed Dec. 9, 2013.*
Old vinyl record adjustable ring by works and finds on Etsy, Copyright 2013 Etsy, Inc., 2 pages.

* cited by examiner

Primary Examiner — Garth Rademaker

Assistant Examiner — Melanie Pellegrini

(74) *Attorney, Agent, or Firm* — Banner & Witcoff, Ltd.

(57) **CLAIM**

The ornamental design for a ring, as shown and described.

DESCRIPTION

FIG. 1 is a top, front, right perspective view of a ring showing my new design;

FIG. 2 is a front view thereof;

FIG. 3 is a right side view thereof;

FIG. 4 is a rear view thereof;

FIG. 5 is a left side view thereof;

FIG. 6 is a top view thereof;

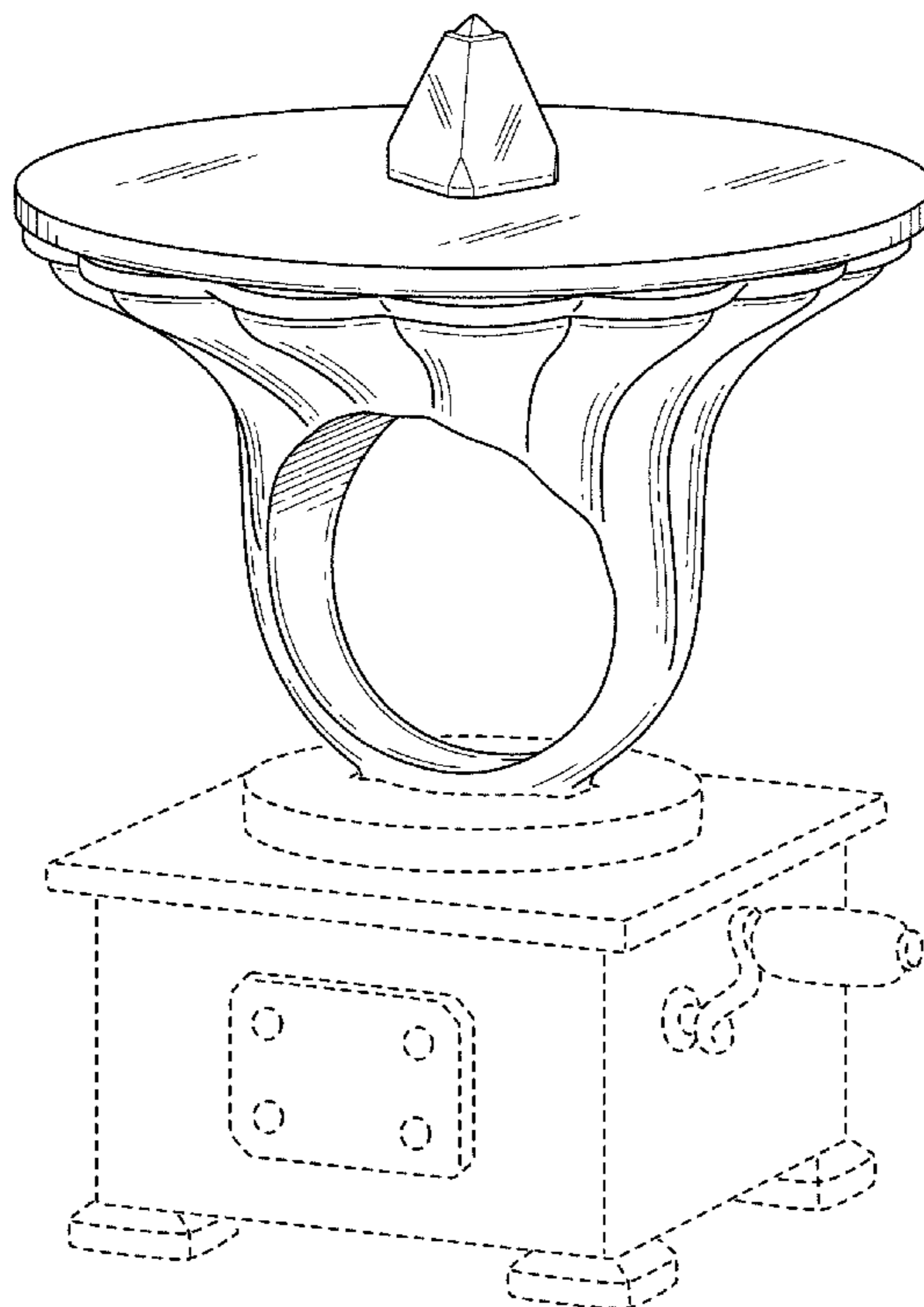
FIG. 7 is a bottom view thereof;

FIG. 8 is an exploded top, front, right perspective view thereof; and,

FIG. 9 is a top, front, right perspective view of the ring shown in an exemplary environment thereof.

The broken lines are for environmental purposes only and form no part of the claimed design.

1 Claim, 9 Drawing Sheets



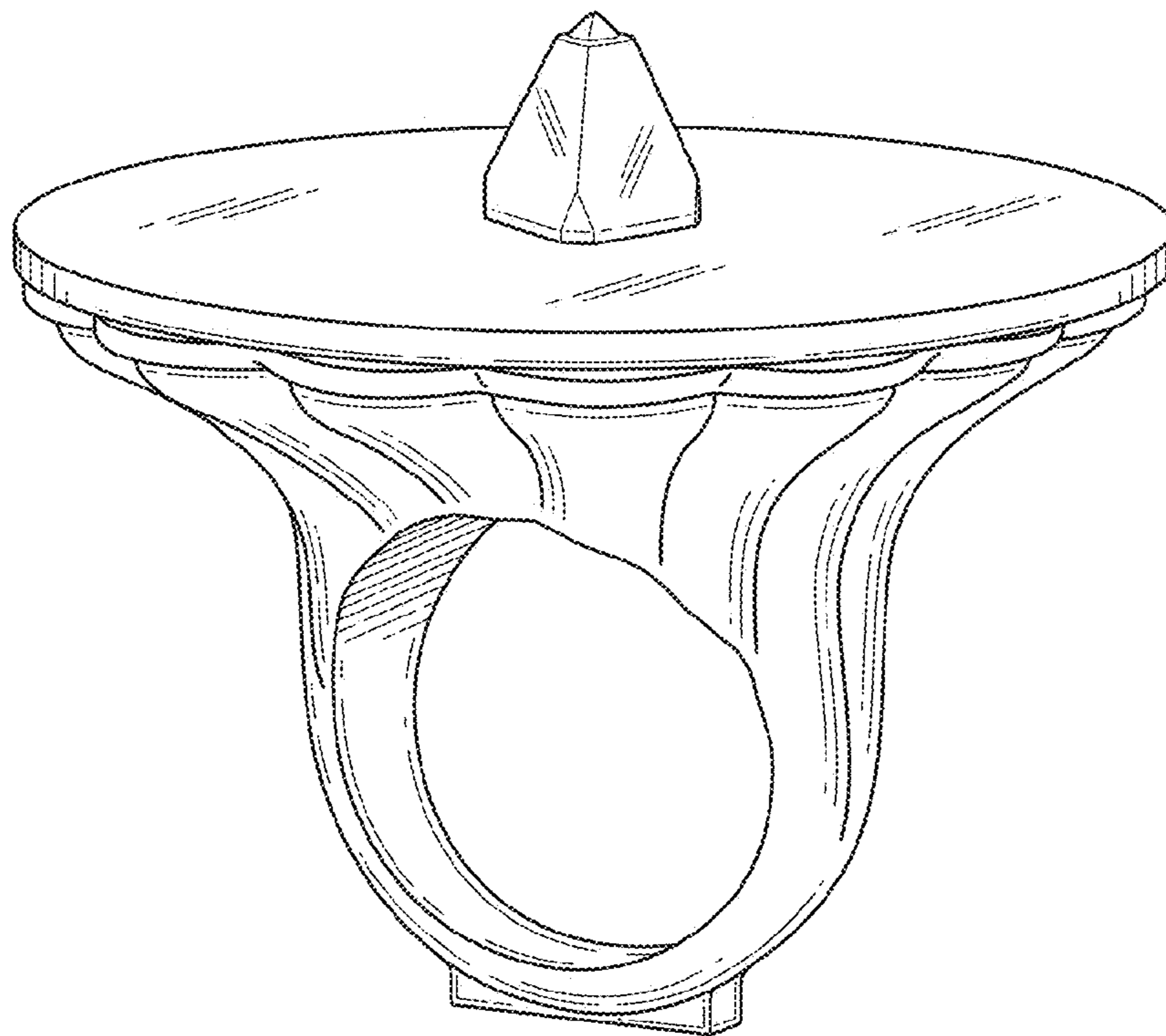


Fig. 1

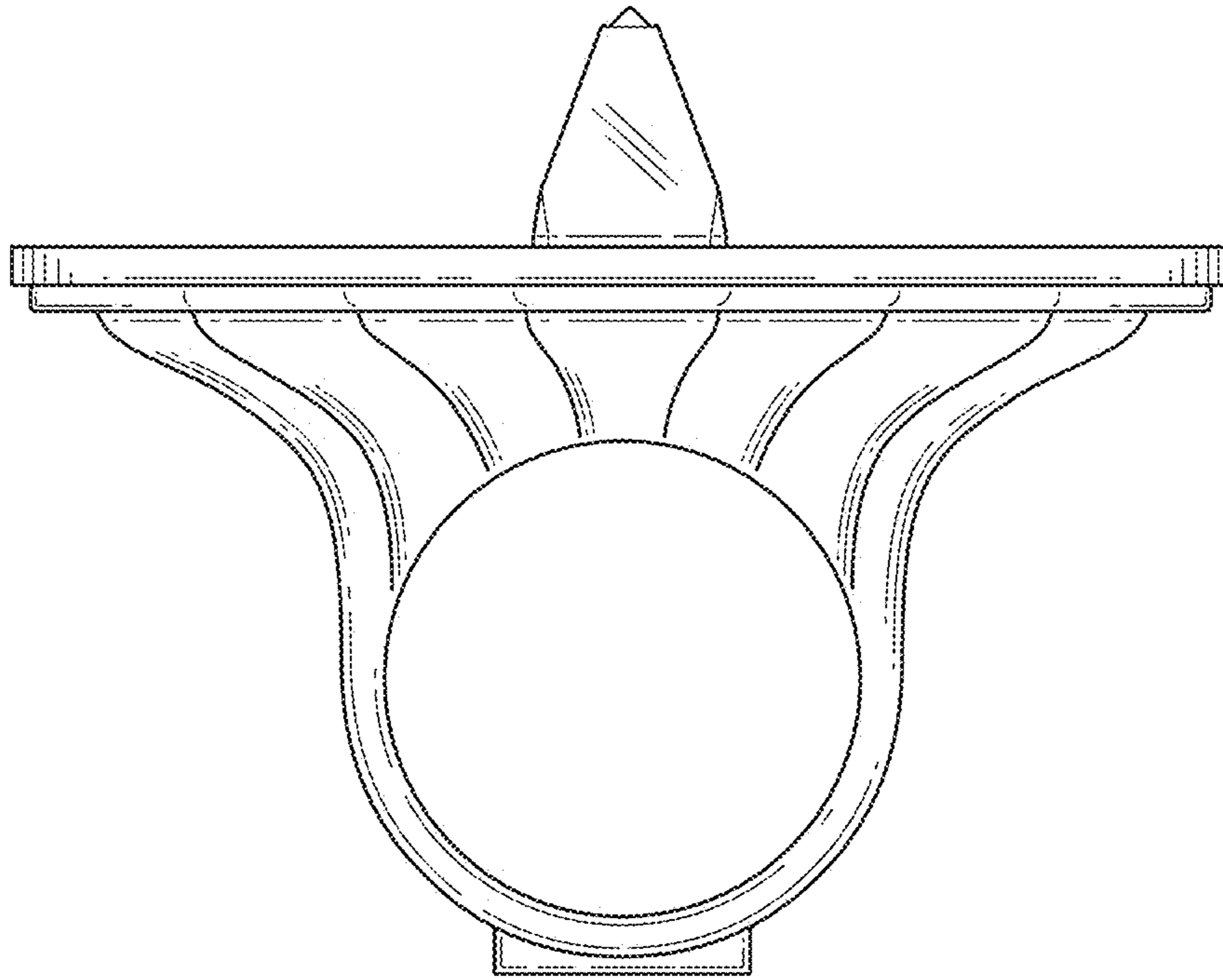


Fig. 2

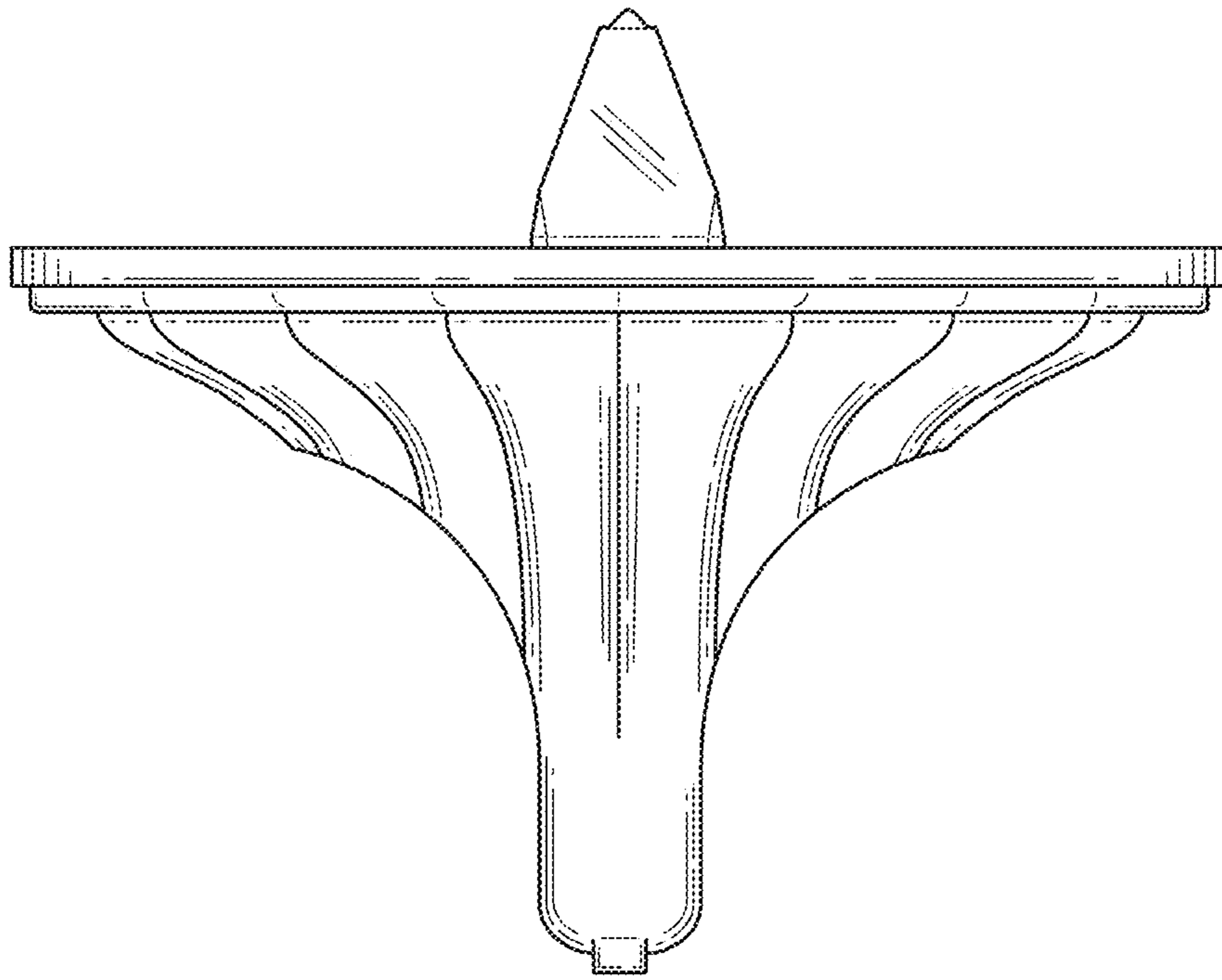


Fig. 3

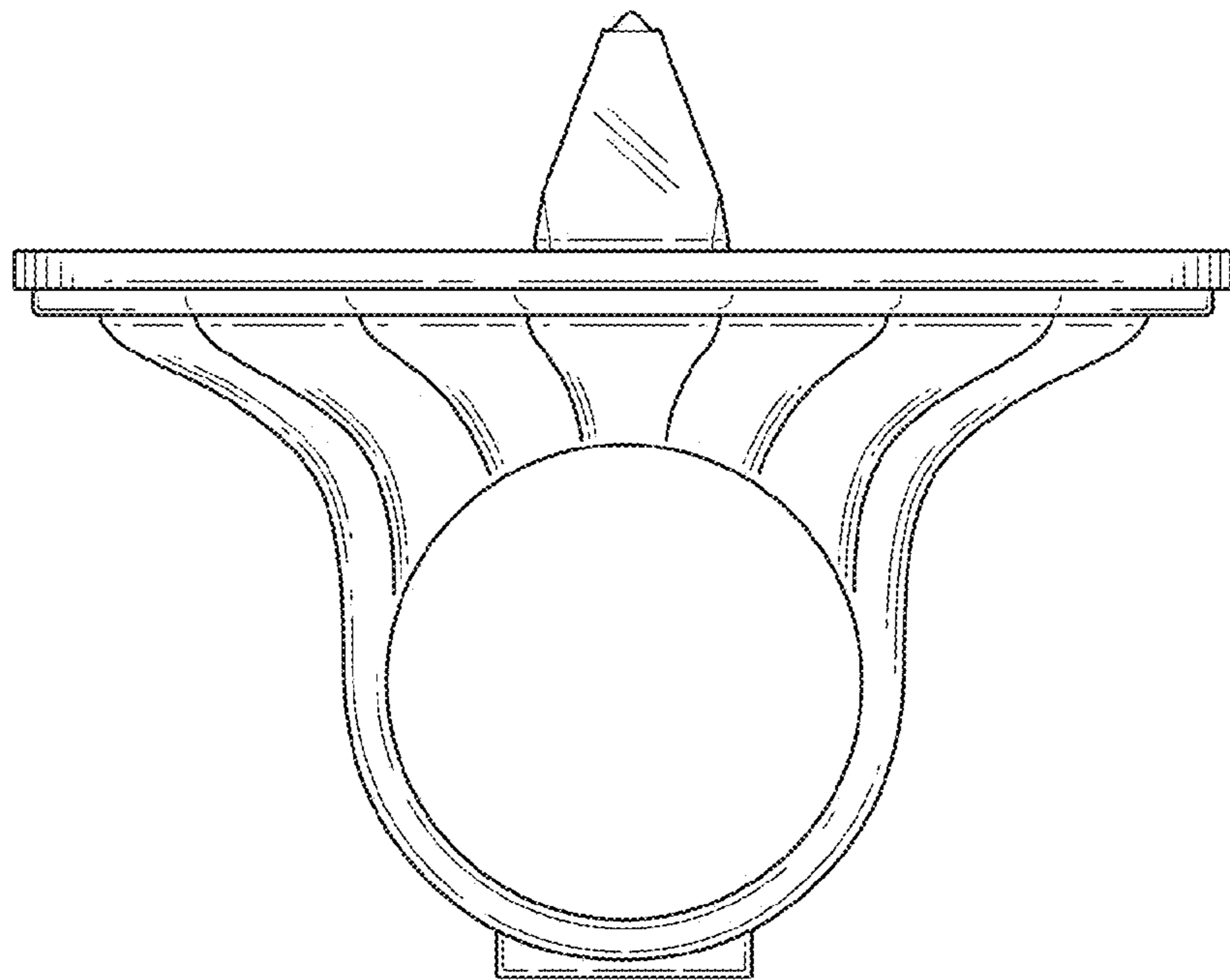


Fig. 4

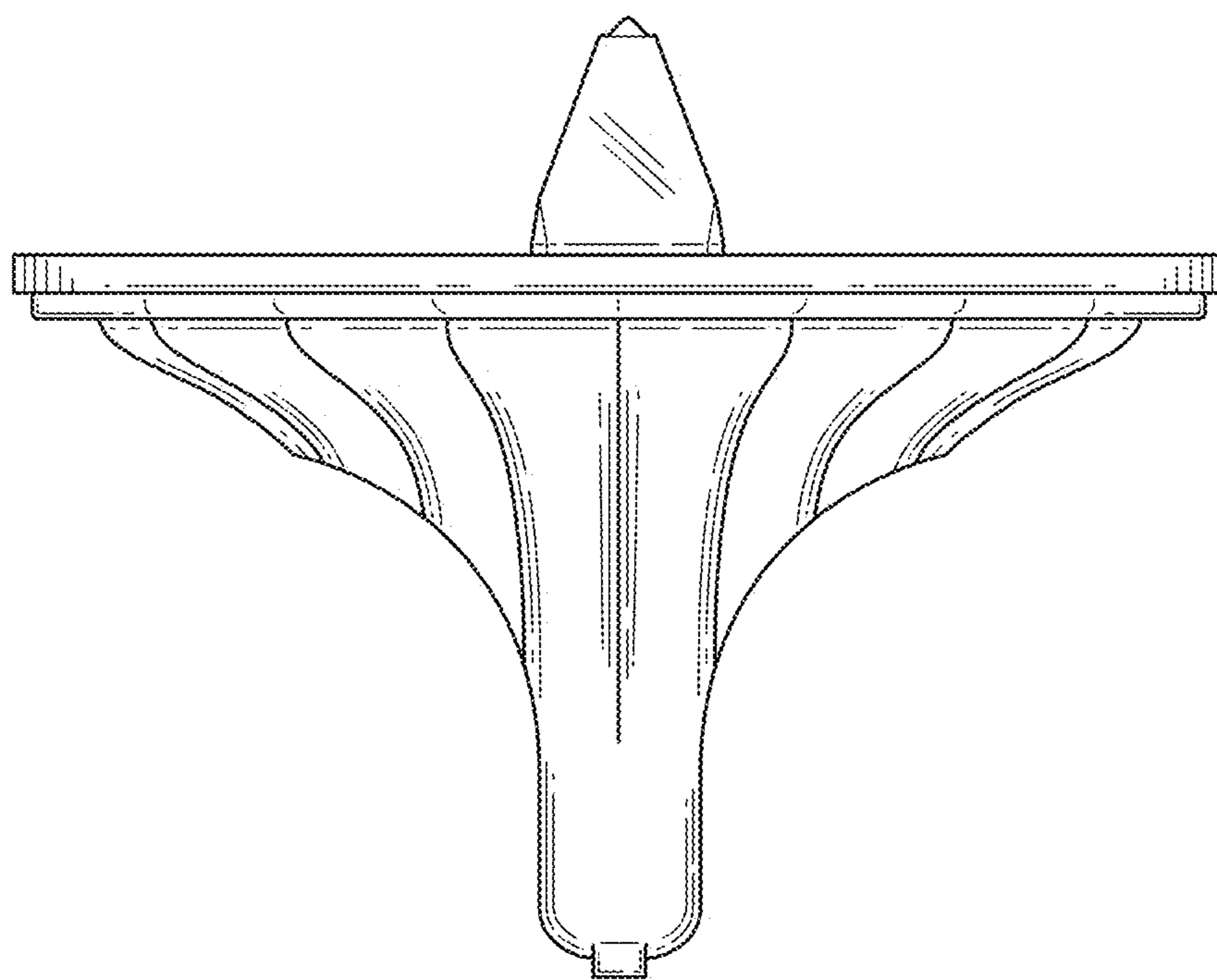


Fig. 5

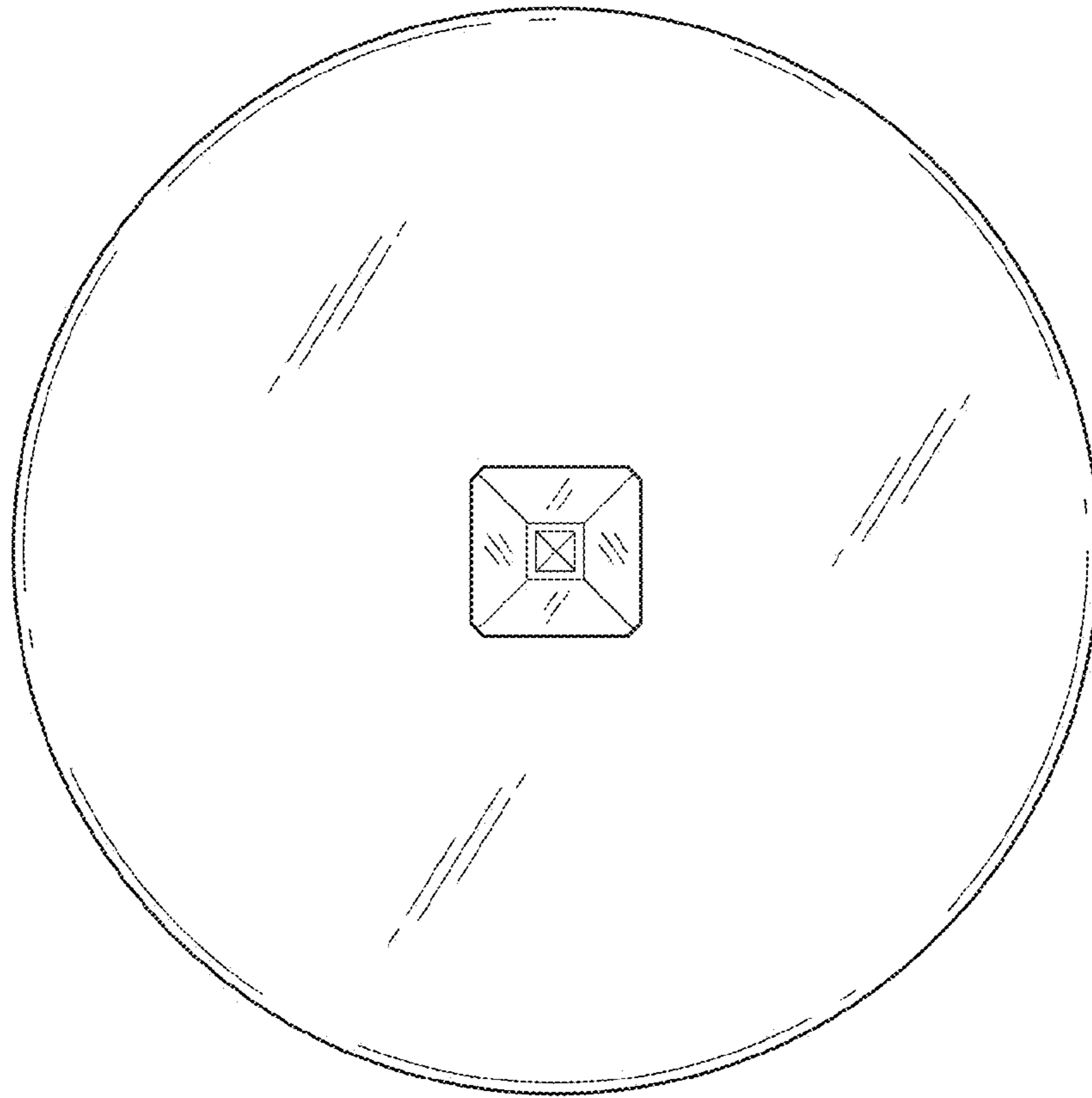


Fig. 6

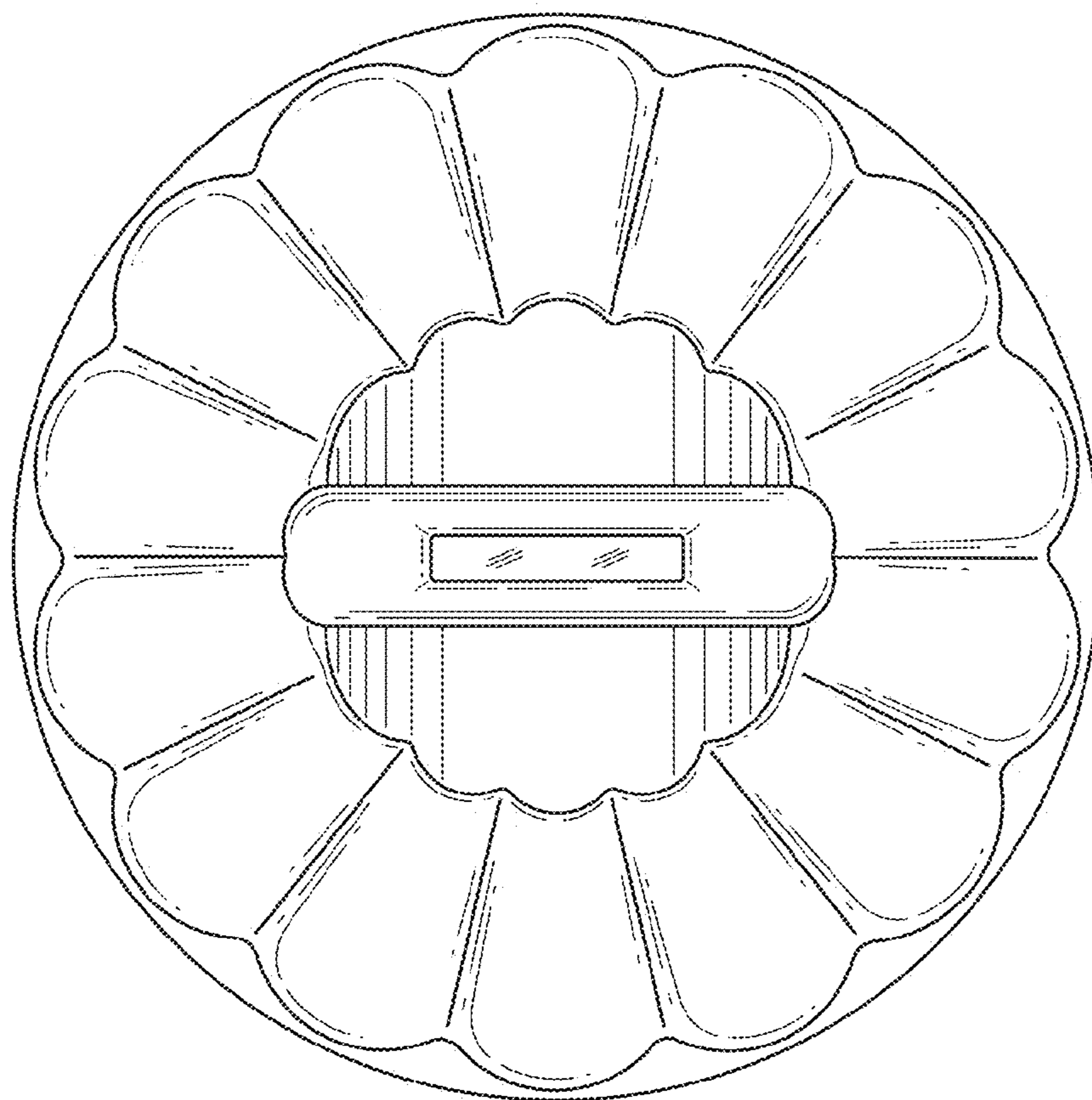


Fig. 7

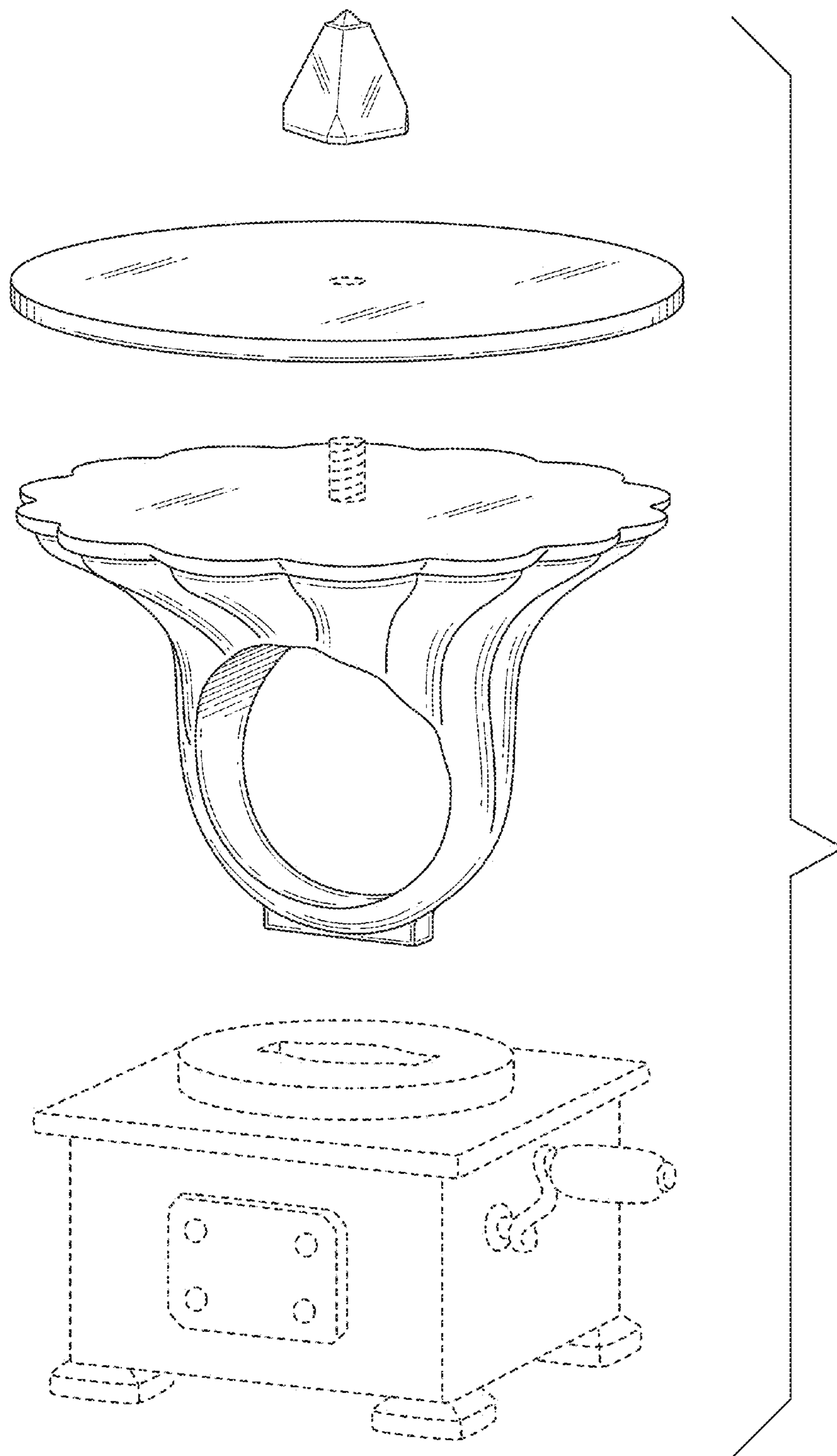


Fig. 8

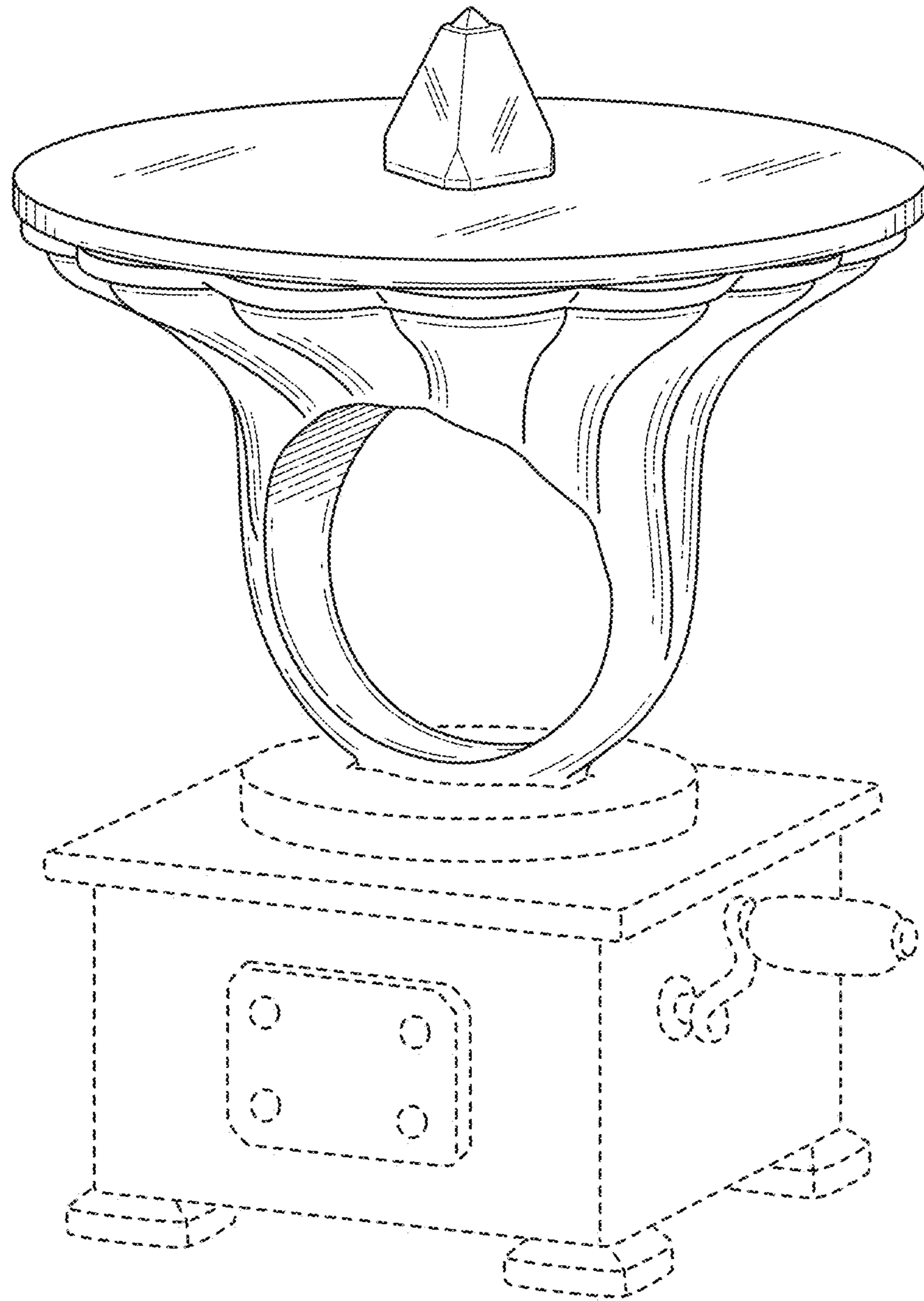


Fig. 9