



US00D705690S

(12) **United States Design Patent**  
**Friess**

(10) **Patent No.:** **US D705,690 S**

(45) **Date of Patent:** **\*\* May 27, 2014**

- (54) **FOOTBALL HELMET BELL**
- (71) Applicant: **Harvey A. Friess**, Menomonee Falls, WI (US)
- (72) Inventor: **Harvey A. Friess**, Menomonee Falls, WI (US)
- (\*\*) Term: **14 Years**
- (21) Appl. No.: **29/457,654**
- (22) Filed: **Jun. 12, 2013**
- (51) **LOC (10) Cl.** ..... **10-05**
- (52) **U.S. Cl.**  
USPC ..... **D10/118.1**
- (58) **Field of Classification Search**  
USPC ..... D10/118.1; D7/510; D21/712; D3/283, D3/201  
See application file for complete search history.

- D408,313 S 4/1999 Friess
- D419,098 S 1/2000 Evans
- D420,613 S 2/2000 Williams
- D432,936 S 10/2000 Wing et al.
- D504,346 S 4/2005 Cavazos
- D565,288 S \* 4/2008 Hickman ..... D3/201
- D565,986 S 4/2008 Friess
- D578,426 S 10/2008 Friess
- D584,778 S \* 1/2009 Bevier ..... D21/712
- D587,968 S \* 3/2009 Campbell ..... D7/510
- D601,760 S \* 10/2009 Friess ..... D30/125
- 2004/0083876 A1 5/2004 Maegli et al.

\* cited by examiner

*Primary Examiner* — George D Kirschbaum

(74) *Attorney, Agent, or Firm* — Ryan Kromholz & Manion S.C.

(57) **CLAIM**

The ornamental design for a football helmet bell, as shown and described.

(56) **References Cited**

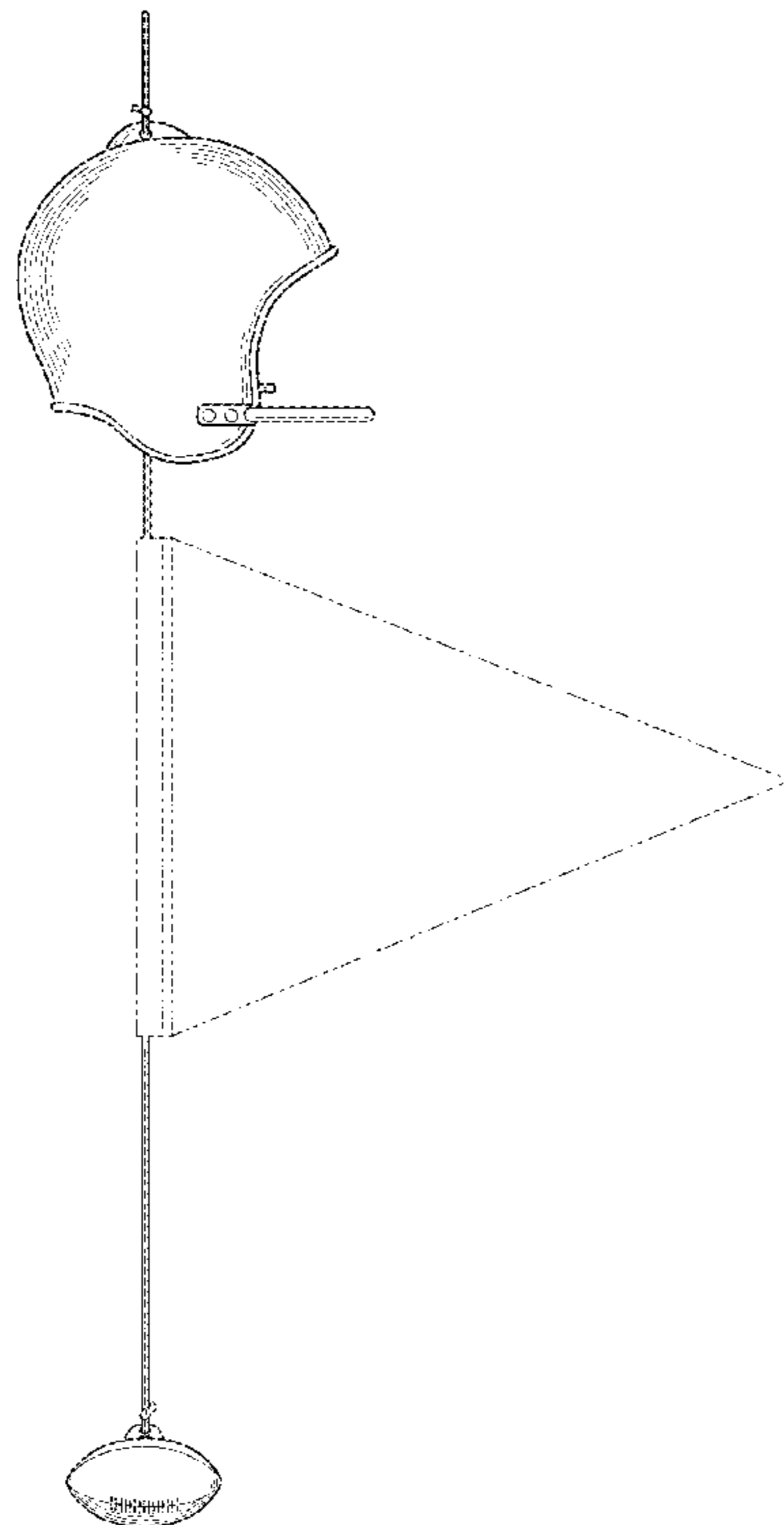
U.S. PATENT DOCUMENTS

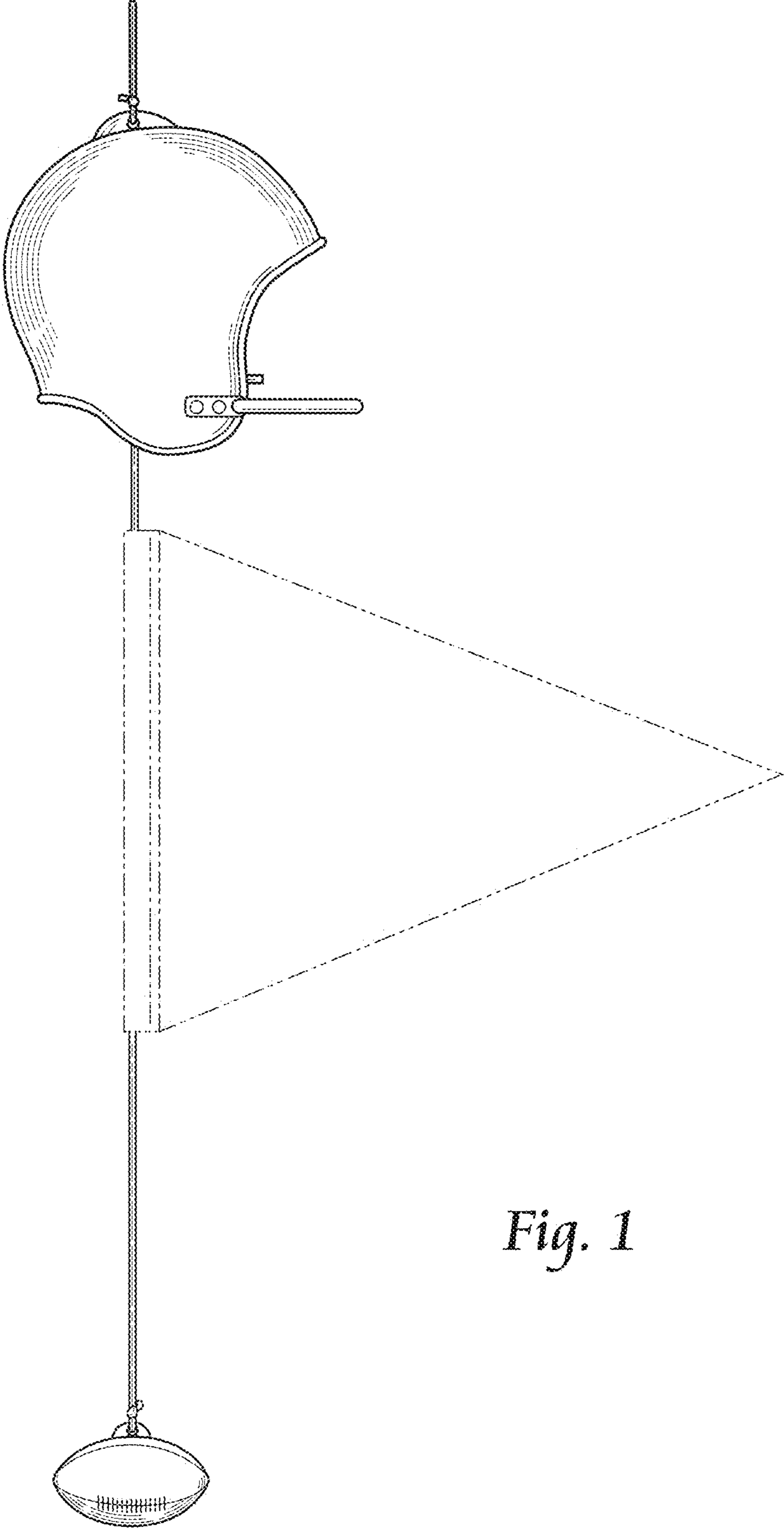
- 864,461 A 8/1907 Gibbs
- D224,853 S 9/1972 Merjer
- D272,810 S 2/1984 Stilson
- D279,873 S 7/1985 Neely
- 4,619,846 A 10/1986 Oborzil et al.
- D339,916 S \* 10/1993 Behbahani ..... D3/283
- D346,986 S 5/1994 Friess, Jr.
- D369,985 S \* 5/1996 Kehler ..... D10/118
- D373,547 S \* 9/1996 Stratford ..... D10/118
- D389,422 S 1/1998 Zin
- D404,671 S 1/1999 Stannard

**DESCRIPTION**

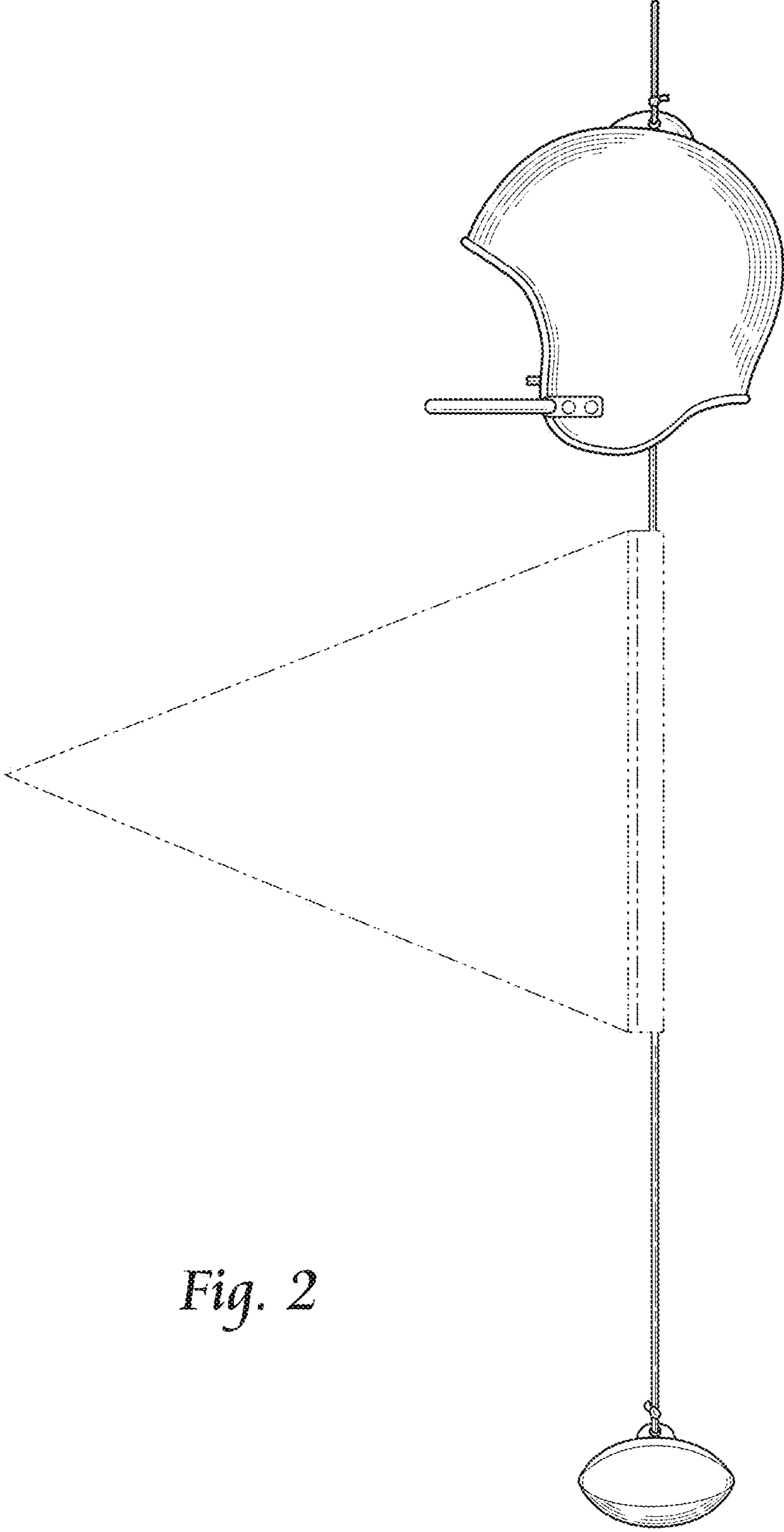
FIG. 1 is a left side elevation view;  
 FIG. 2 is a right side elevation view;  
 FIG. 3 is a top view;  
 FIG. 4 is a bottom view;  
 FIG. 5 is a front elevation view; and,  
 FIG. 6 is a rear elevation view.  
 The broken lines in the drawings illustrate features and linear detail that form no part of the claim.

**1 Claim, 4 Drawing Sheets**

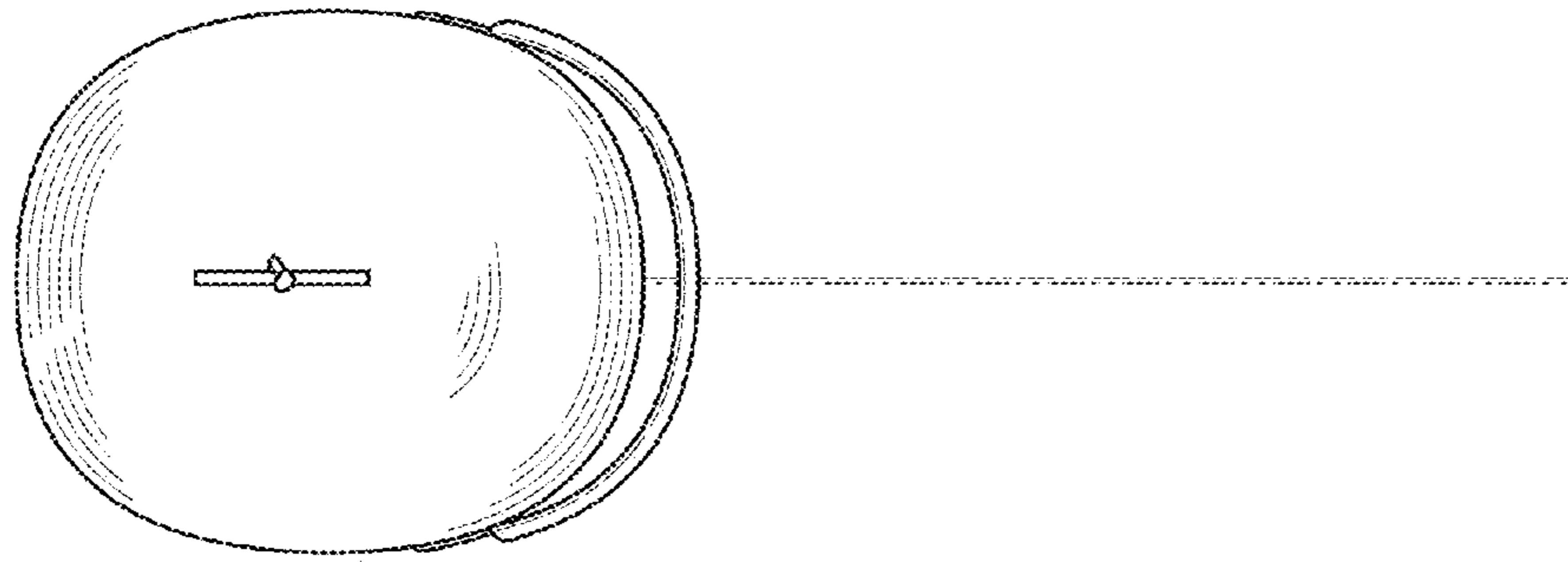




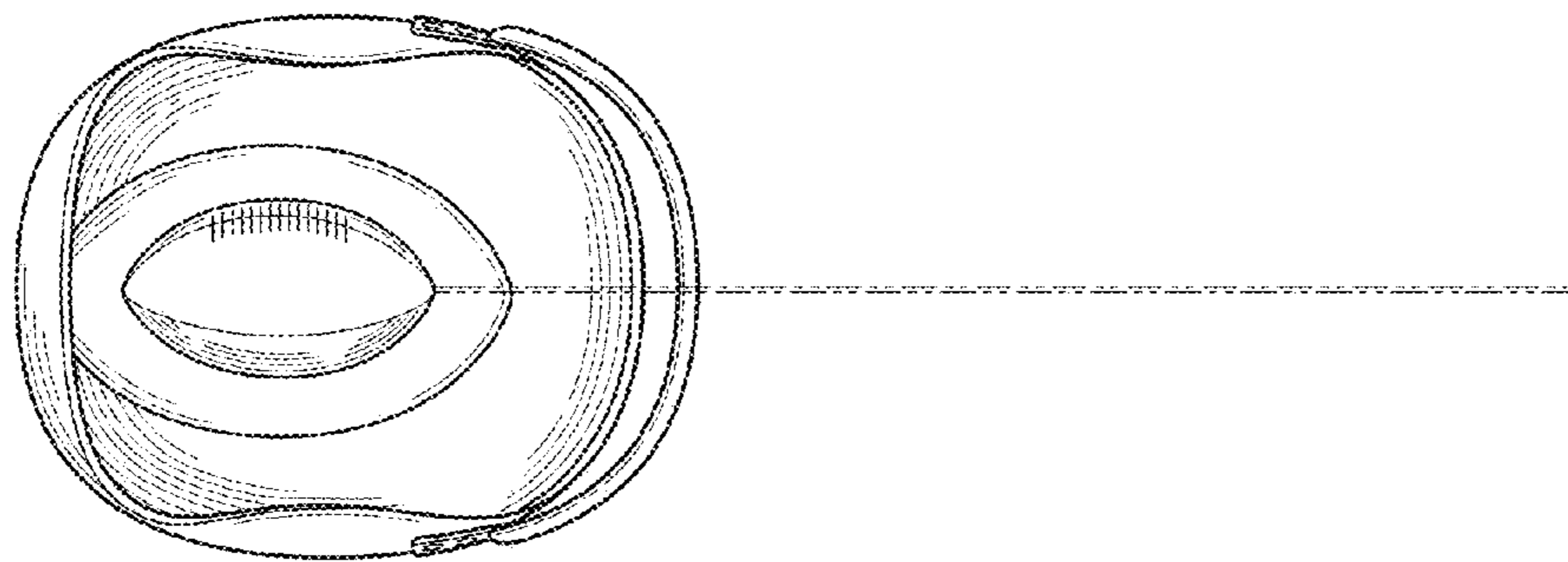
*Fig. 1*



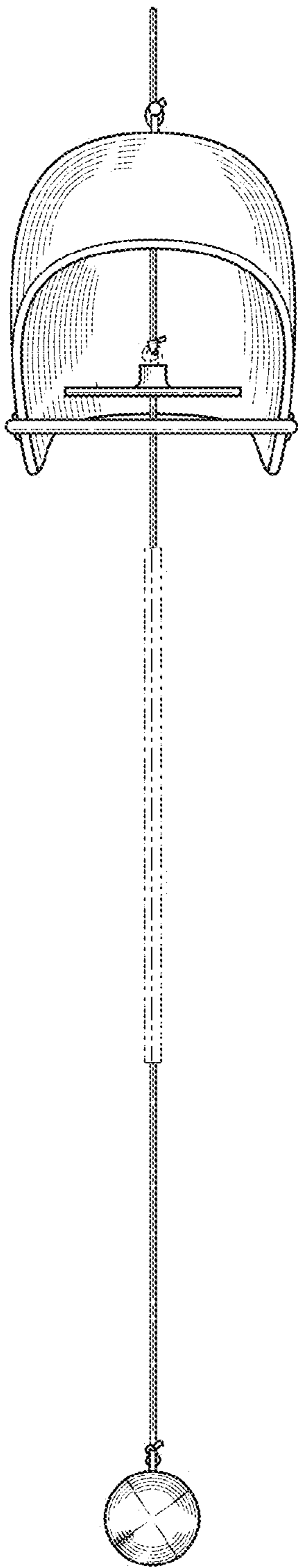
*Fig. 2*



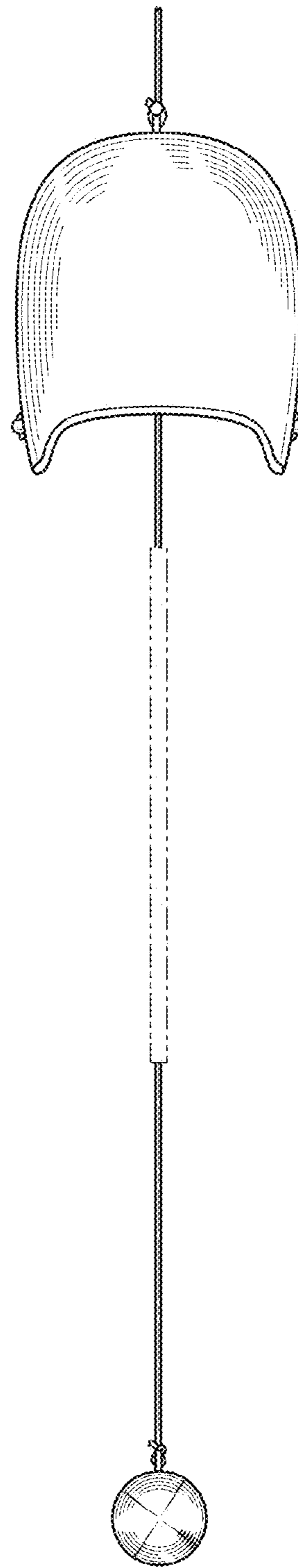
*Fig. 3*



*Fig. 4*



*Fig. 5*



*Fig. 6*

UNITED STATES PATENT AND TRADEMARK OFFICE  
**CERTIFICATE OF CORRECTION**

PATENT NO. : D705,690 S  
APPLICATION NO. : 29/457654  
DATED : May 27, 2014  
INVENTOR(S) : Harvey A. Friess

Page 1 of 1

It is certified that error appears in the above-identified patent and that said Letters Patent is hereby corrected as shown below:

On the title page item (56) References Cited U.S. Patent Documents  
insert --D470,788 2/2003 Friess--

Signed and Sealed this  
Twenty-fourth Day of March, 2015



Michelle K. Lee  
*Director of the United States Patent and Trademark Office*