



US00D705686S

(12) **United States Design Patent**  
**Wu et al.**

(10) **Patent No.:** **US D705,686 S**

(45) **Date of Patent:** **\*\* May 27, 2014**

(54) **SECURITY TAG**

(71) Applicant: **Checkpoint Systems, Inc.**, Thorofare, NJ (US)

(72) Inventors: **Wei Wu**, Shanghai (CN); **Yong Qiao**, Shanghai (CN); **Gary T. Mazoki**, Sewell, NJ (US)

(73) Assignee: **Checkpoint Systems, Inc.**, Thorofare, NJ (US)

(\*\*) Term: **14 Years**

(21) Appl. No.: **29/469,376**

(22) Filed: **Oct. 9, 2013**

**Related U.S. Application Data**

(62) Division of application No. 29/458,686, filed on Jun. 21, 2013, now Pat. No. Des. 696,150.

(51) **LOC (10) Cl.** ..... **10-05**

(52) **U.S. Cl.**  
USPC ..... **D10/106.91**

(58) **Field of Classification Search**  
USPC ..... D10/106.9, 106.91, 106.94; 70/57.1  
See application file for complete search history.

(56) **References Cited**

U.S. PATENT DOCUMENTS

D466,426	S	*	12/2002	Proulx et al.	.....	D10/106.91
D478,829	S	*	8/2003	Yang et al.	.....	D10/106.9
D503,900	S	*	4/2005	Sayegh	.....	D10/106.94
D609,125	S	*	2/2010	Perez	.....	D10/106.9
D624,447	S	*	9/2010	Yang	.....	D10/106.91
2010/0287998	A1	*	11/2010	Anderson et al.	.....	70/57.1

\* cited by examiner

*Primary Examiner* — George D Kirschbaum

(74) *Attorney, Agent, or Firm* — Richard A. Howe, II

(57) **CLAIM**

The ornamental design for a security tag, as shown and described.

**DESCRIPTION**

FIG 1 is a perspective view of a security tag according to one embodiment;

FIG. 2 is a reverse perspective view thereof;

FIG. 3 is a top view thereof;

FIG. 4 is a bottom view thereof;

FIG. 5 is a right view thereof;

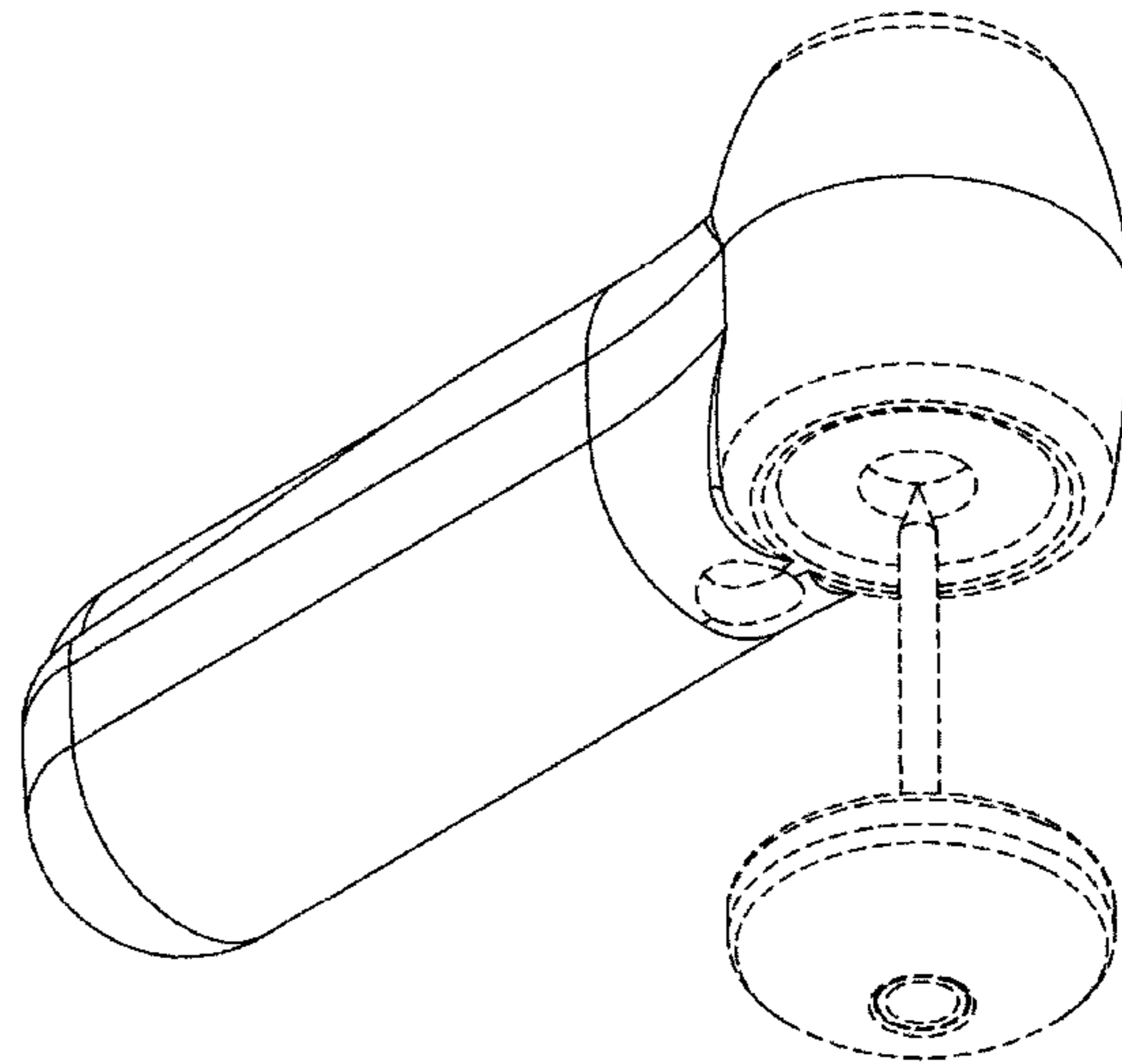
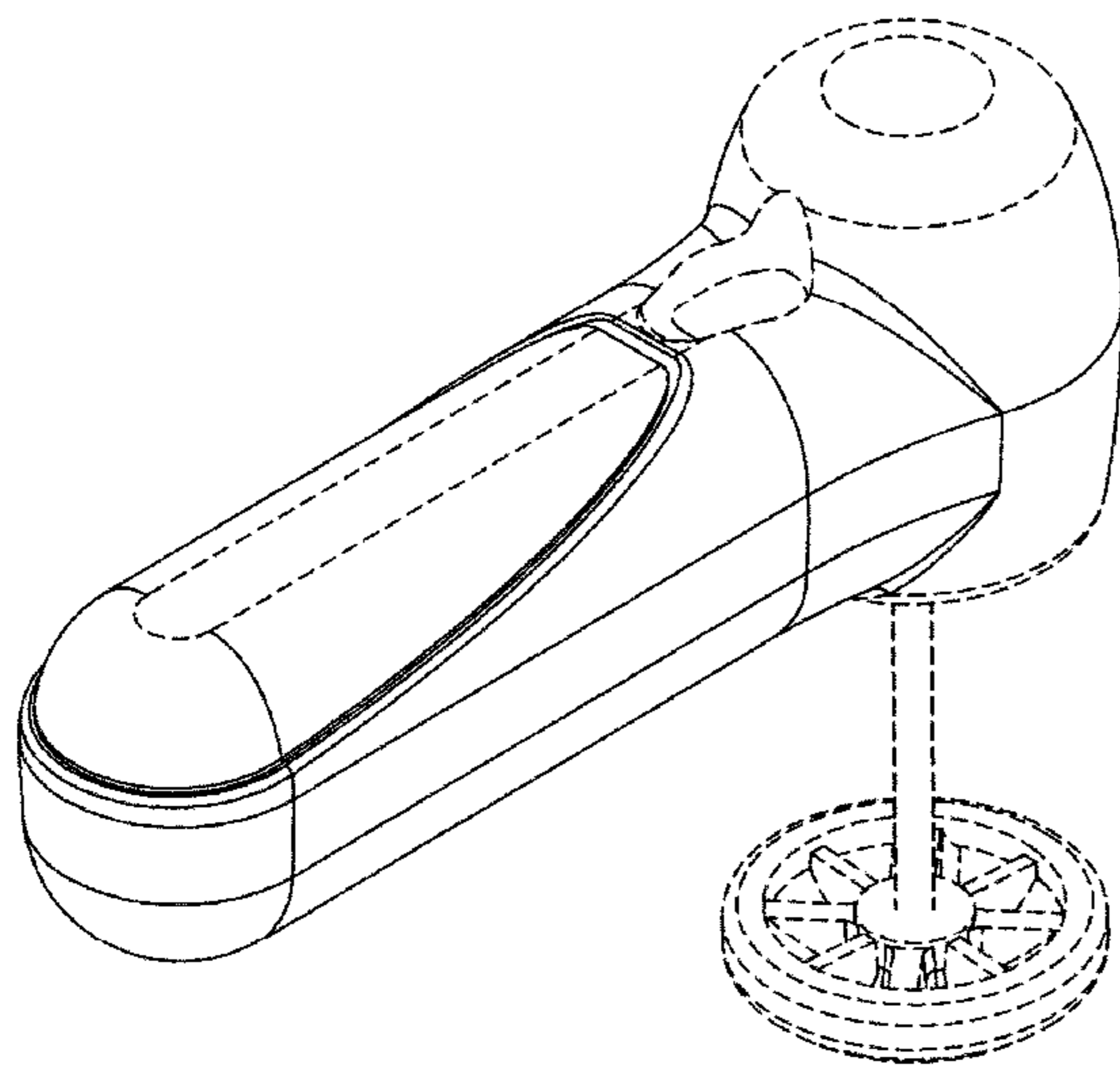
FIG. 6 is a left view thereof;

FIG. 7 is a front view thereof; and,

FIG. 8 is a rear view thereof.

The dotted lines of equal length illustrate the environment and form no part of the claimed design.

**1 Claim, 8 Drawing Sheets**



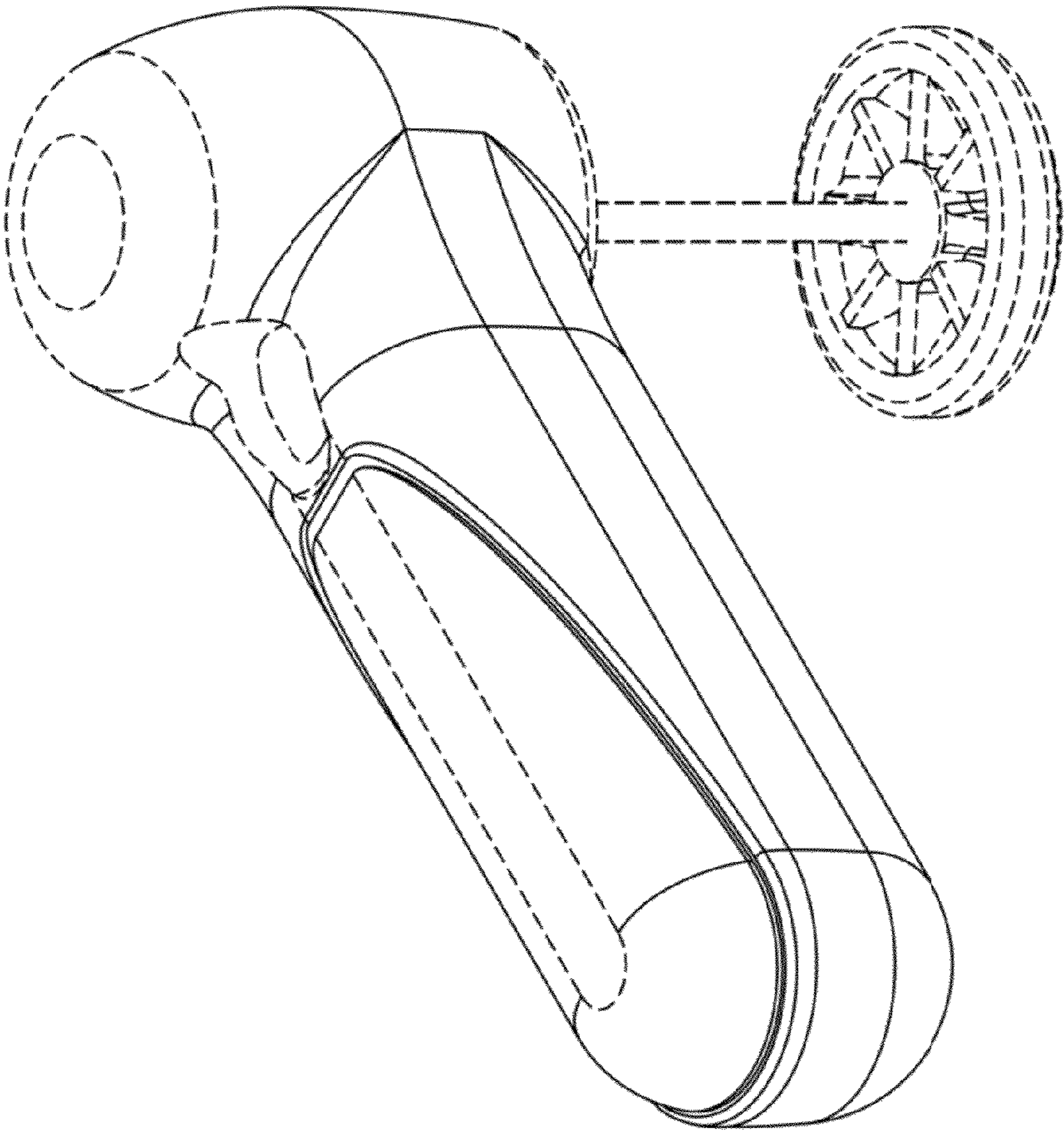


FIG. 1

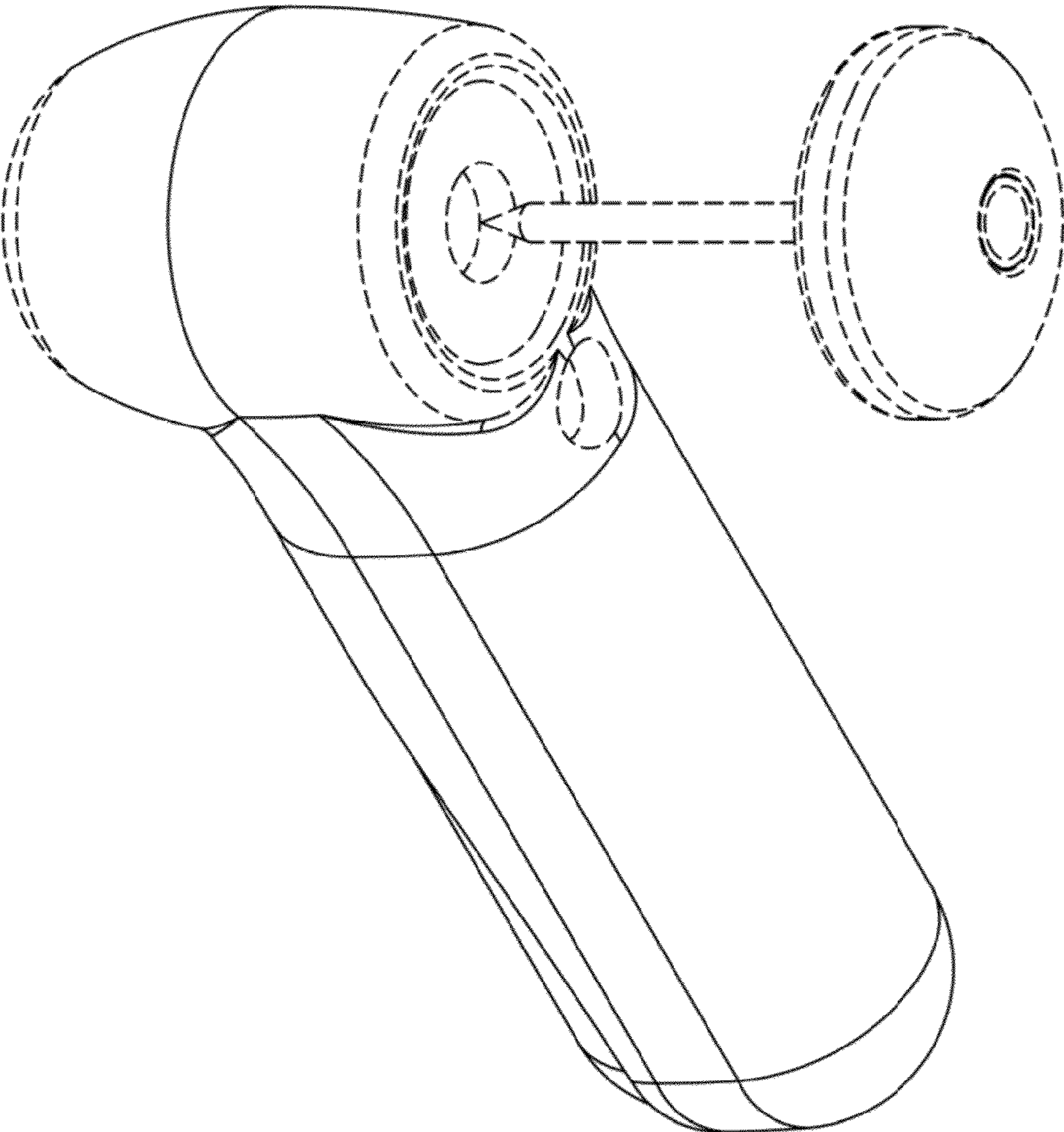


FIG. 2

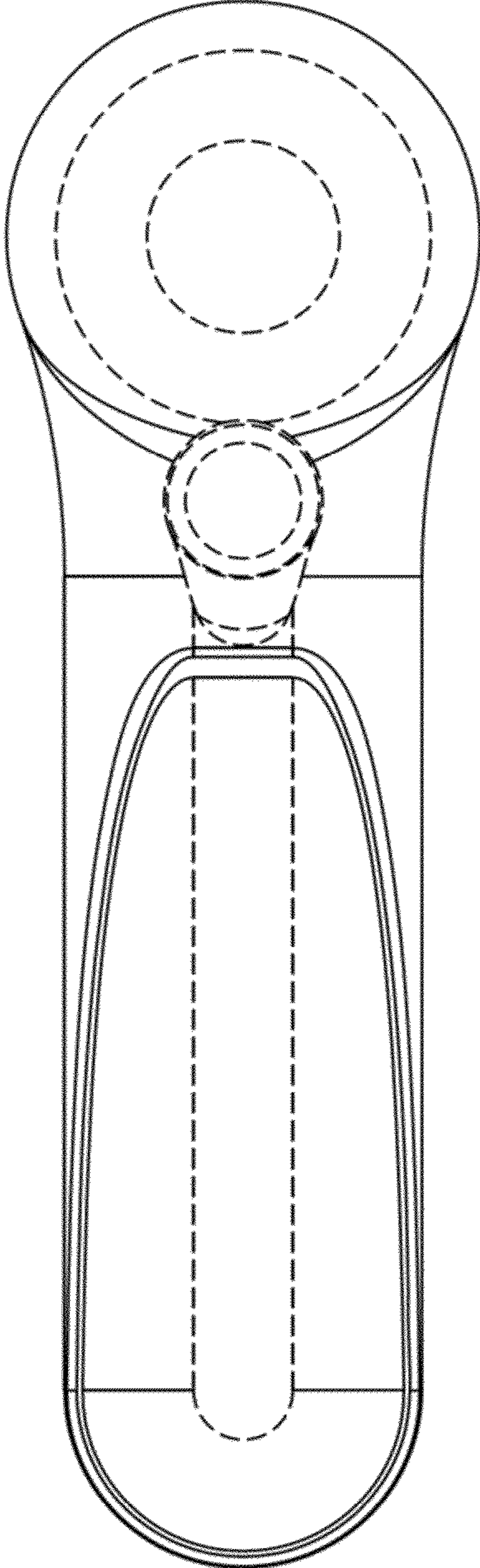


FIG. 3



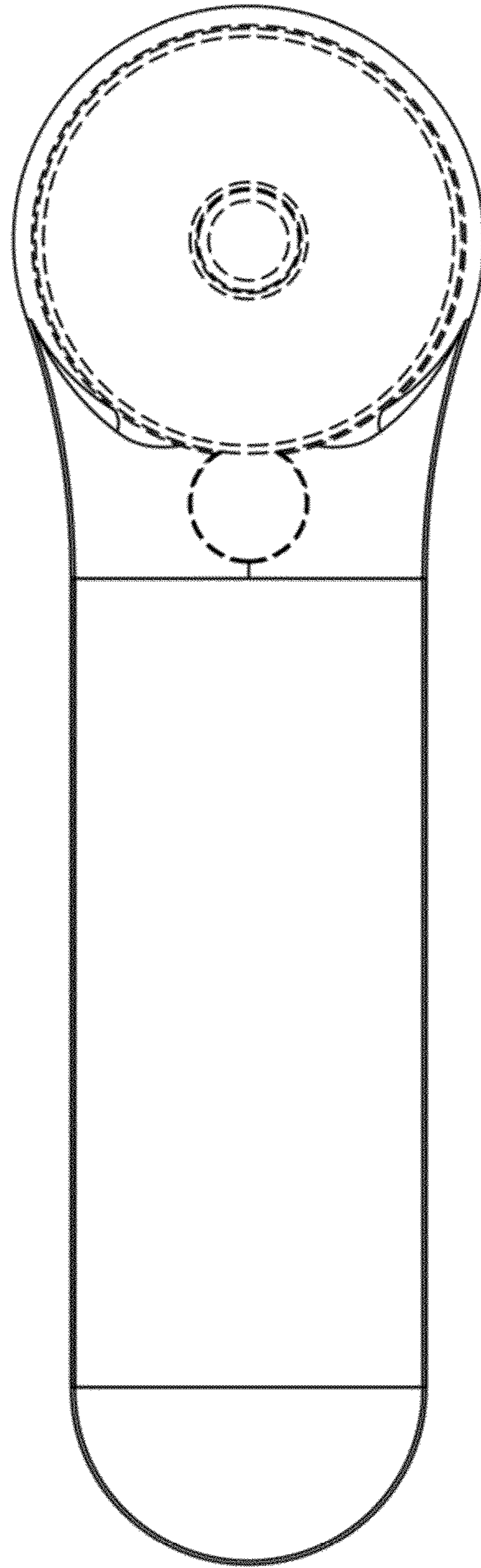


FIG. 4

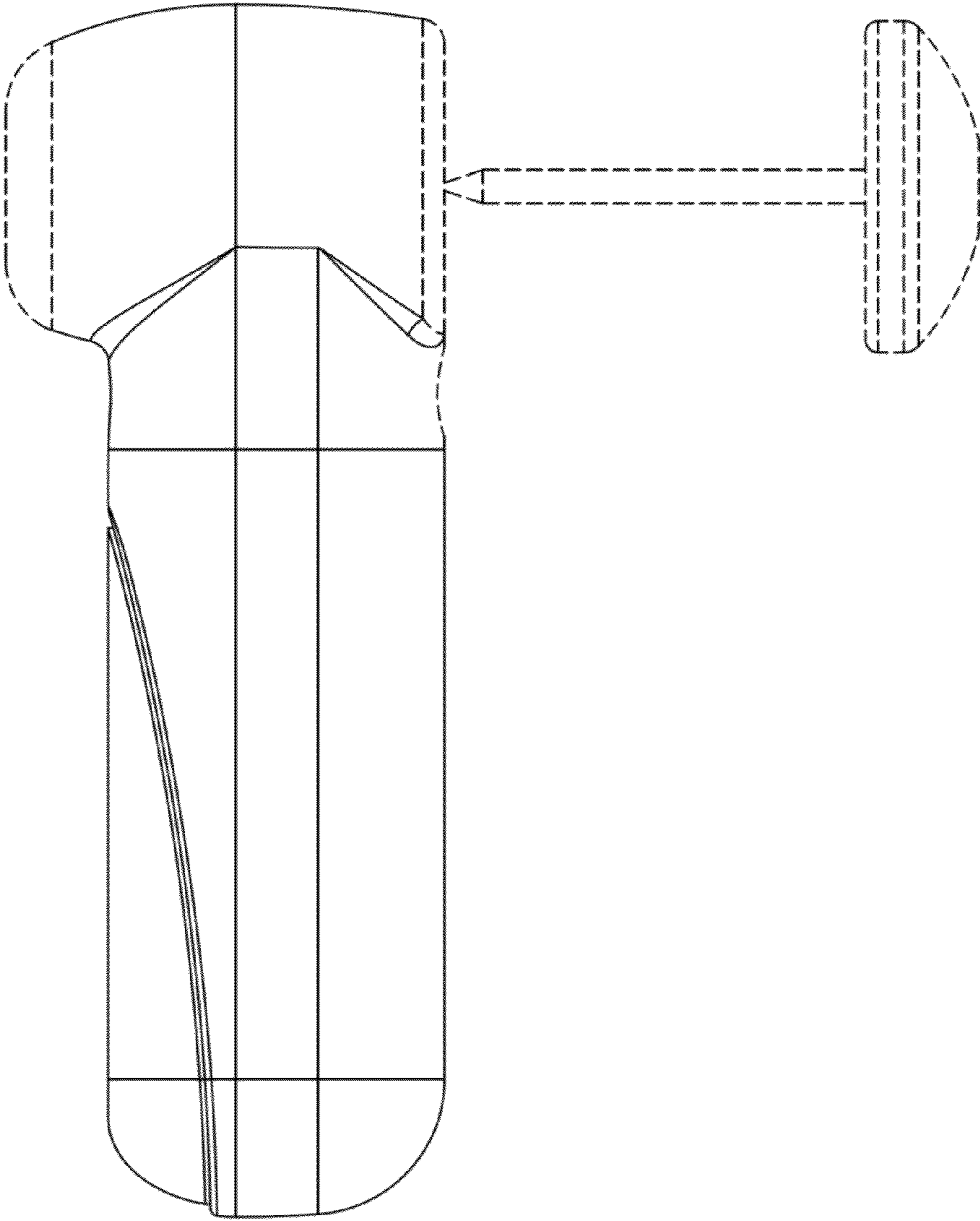


FIG. 5

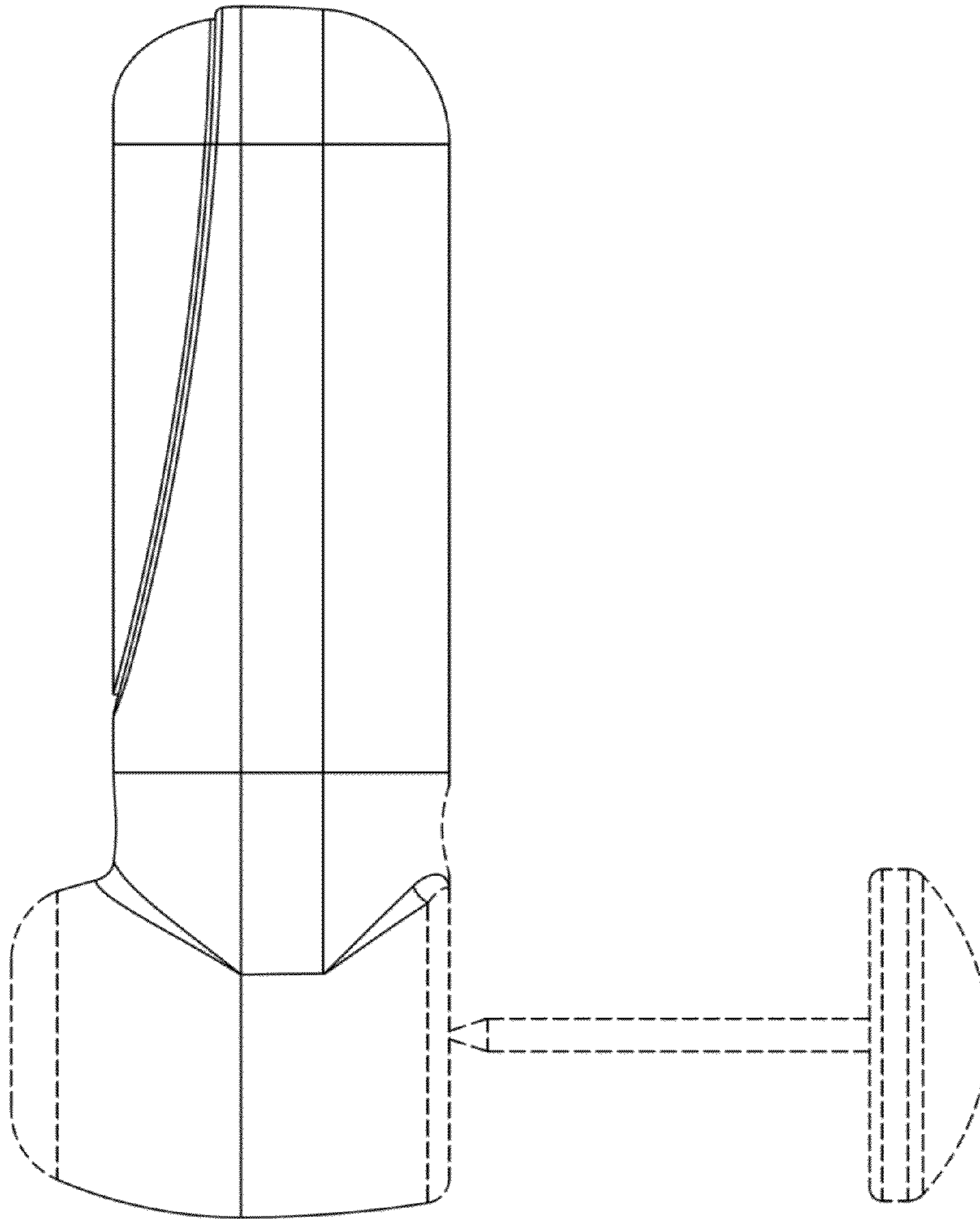


FIG. 6

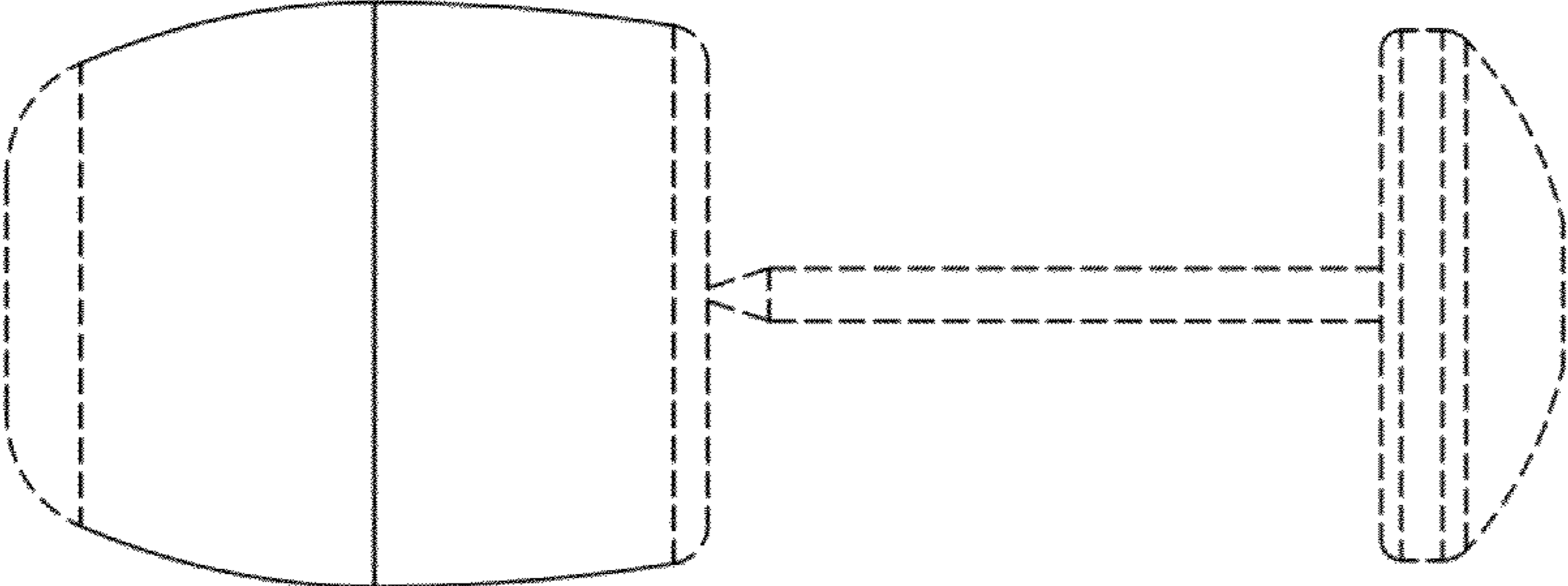


FIG. 7



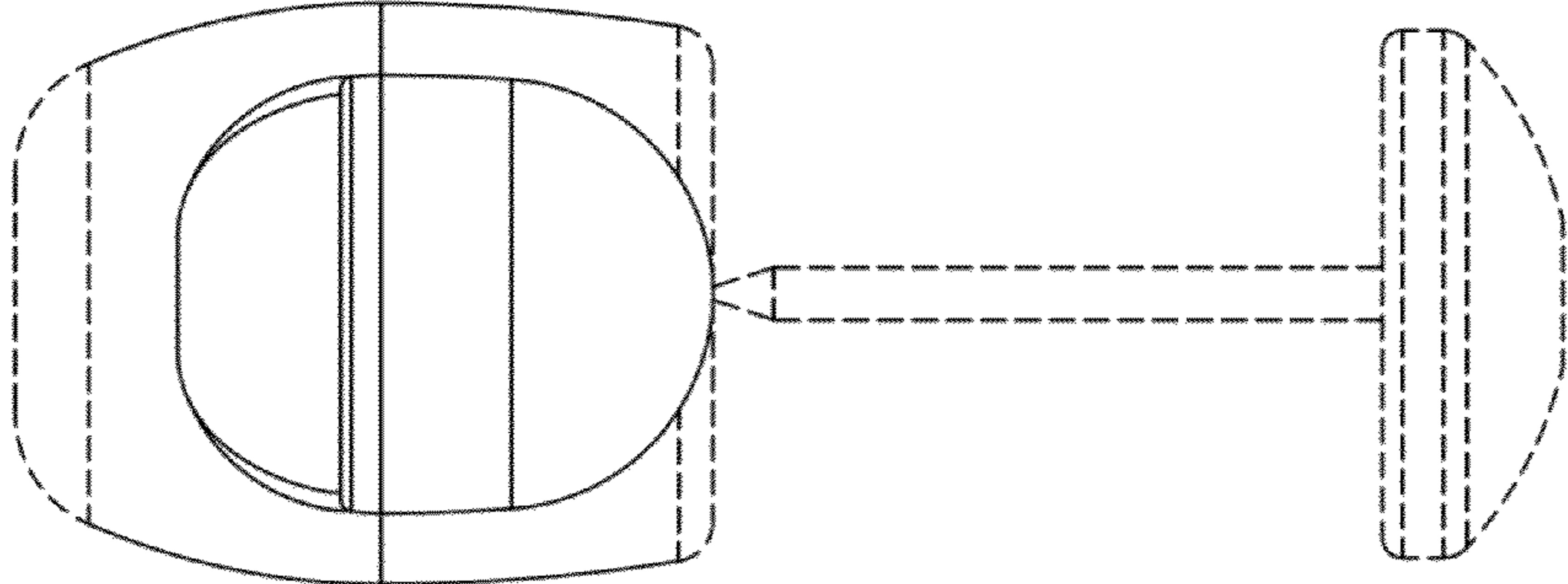


FIG. 8