



US00D705685S

(12) **United States Design Patent**
Solstad

(10) **Patent No.:** **US D705,685 S**

(45) **Date of Patent:** **** May 27, 2014**

(54) **HIT ALARM**

(71) Applicant: **Jorgen Solstad**, Oslo (NO)

(72) Inventor: **Jorgen Solstad**, Oslo (NO)

(73) Assignee: **UNIKIA AS** (NO)

(**) Term: **14 Years**

(21) Appl. No.: **29/469,042**

(22) Filed: **Oct. 7, 2013**

(30) **Foreign Application Priority Data**

Apr. 8, 2013 (NO) 20130346

(51) **LOC (10) Cl.** **10-05**

(52) **U.S. Cl.**
USPC **D10/106.1**

(58) **Field of Classification Search**
USPC D10/106.1, 109.2, 114.2; D13/199;
340/573.1, 568.4, 568.1, 573.2

See application file for complete search history.

(56) **References Cited**

U.S. PATENT DOCUMENTS

D210,209 S * 2/1968 Fischer D13/199
6,646,557 B2 * 11/2003 Brake 340/573.2
7,479,891 B2 * 1/2009 Boujon 340/573.6

* cited by examiner

Primary Examiner — George D Kirschbaum

(74) *Attorney, Agent, or Firm* — Thomas & Karceski, P.C.

(57) **CLAIM**

The ornamental design for a hit alarm, as shown and described.

DESCRIPTION

FIG. 1 is a perspective view of a hit alarm according to our design;

FIG. 2 is a left side view of the hit alarm of FIG. 1;

FIG. 3 is a right side view of the hit alarm of FIG. 1;

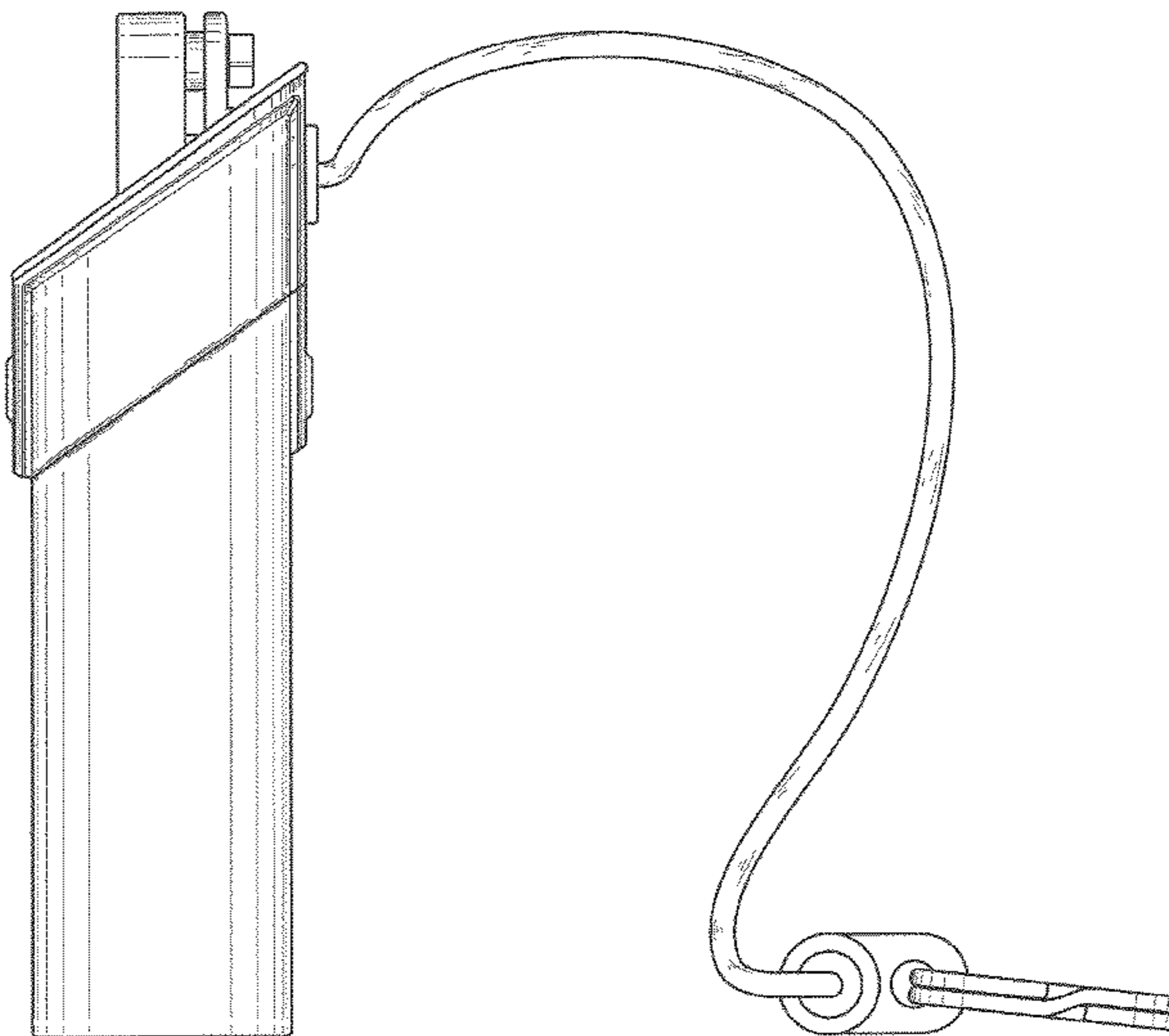
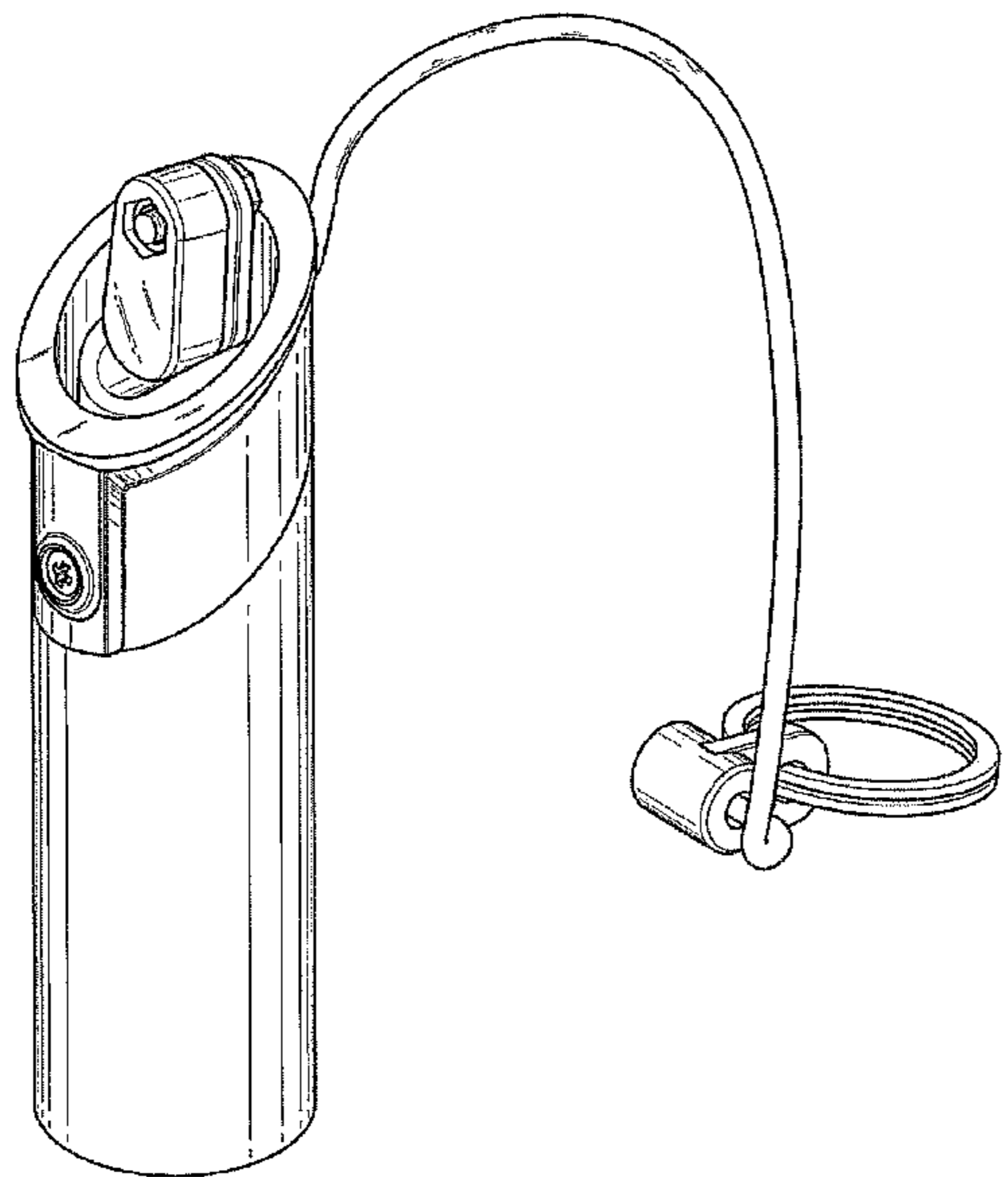
FIG. 4 is a front view of the hit alarm of FIG. 1;

FIG. 5 is a back view of the hit alarm of FIG. 1;

FIG. 6 is a top view of the hit alarm of FIG. 1; and,

FIG. 7 is a bottom view of the hit alarm of FIG. 1.

1 Claim, 7 Drawing Sheets



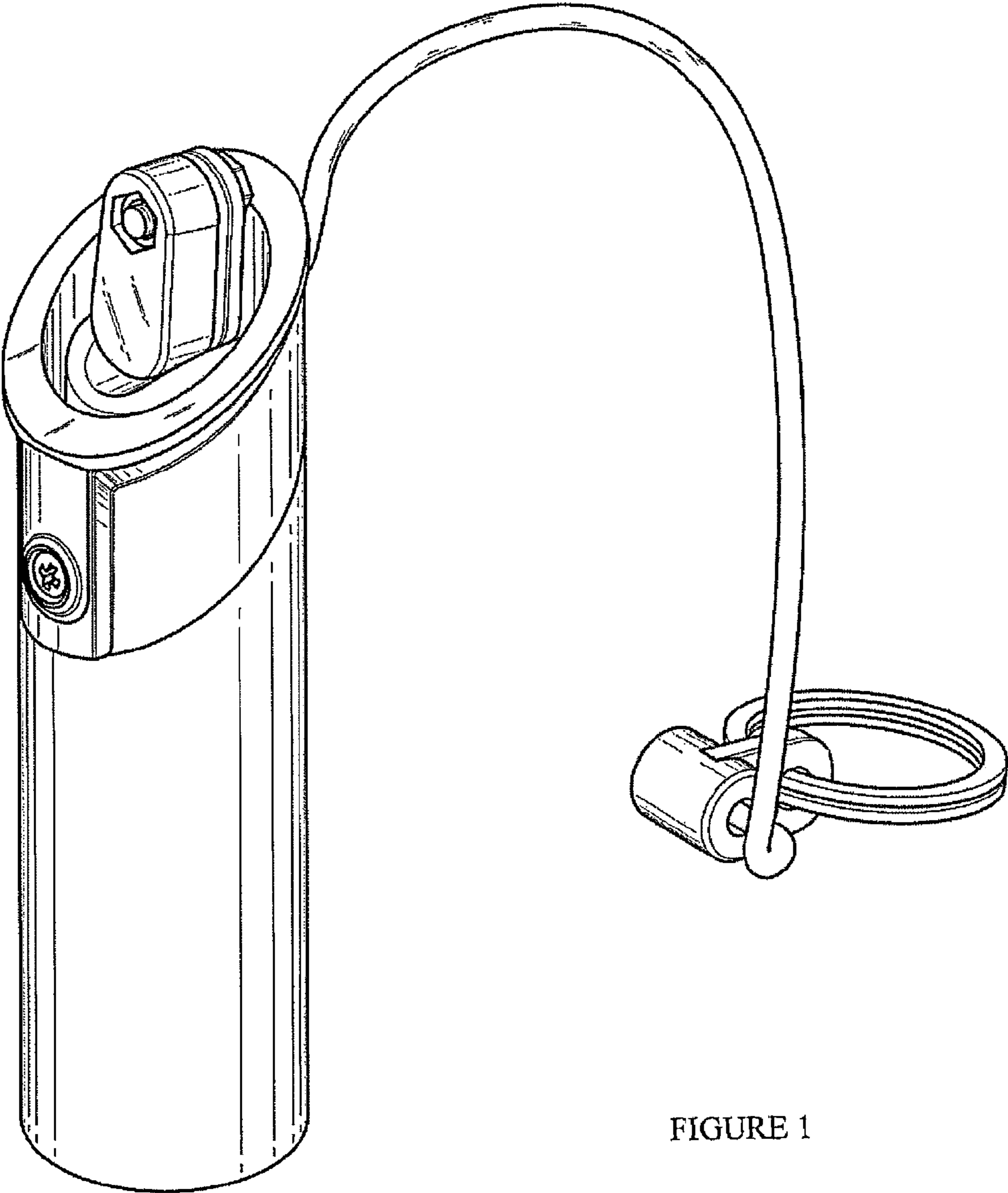


FIGURE 1

FIGURE 2

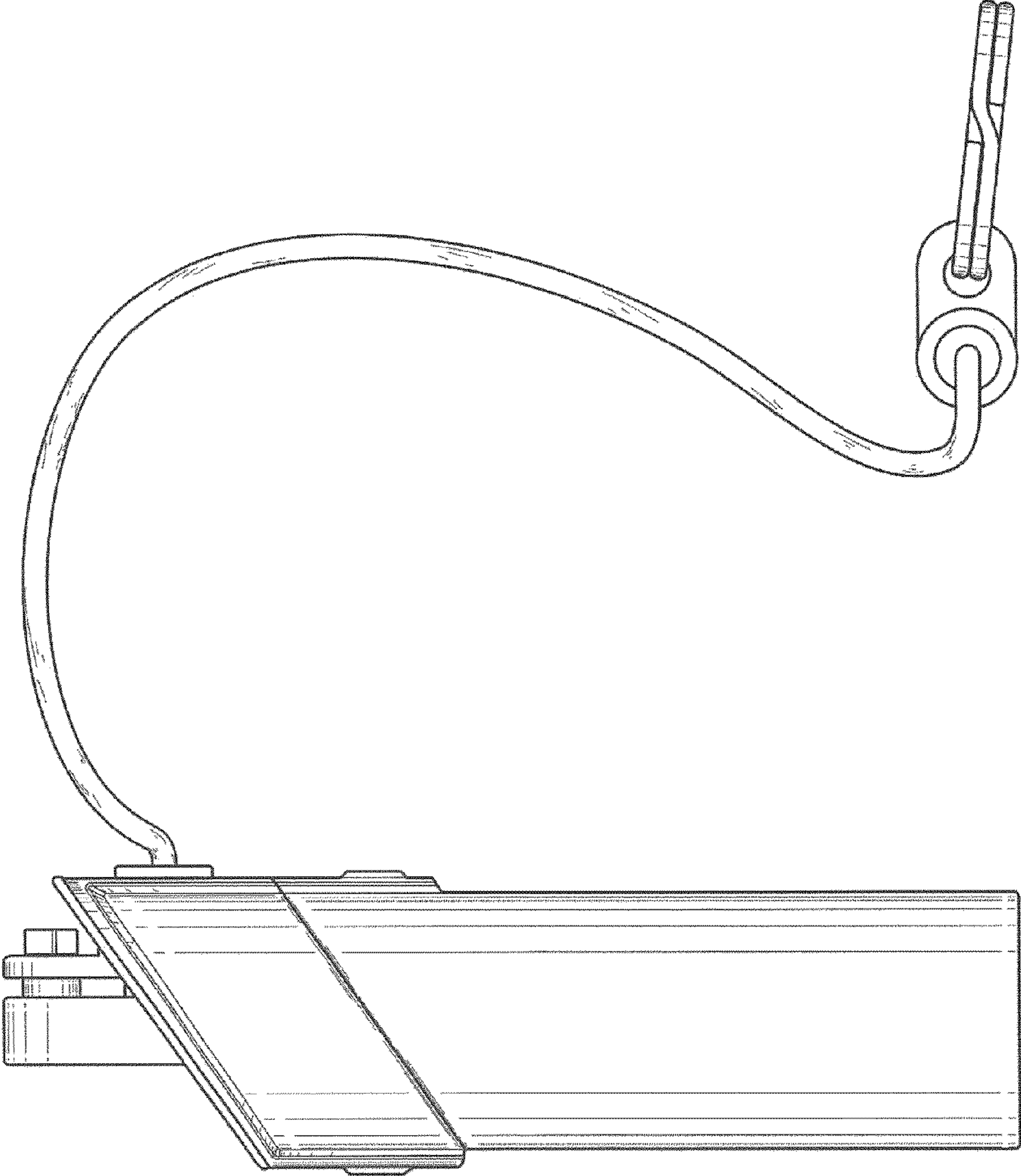
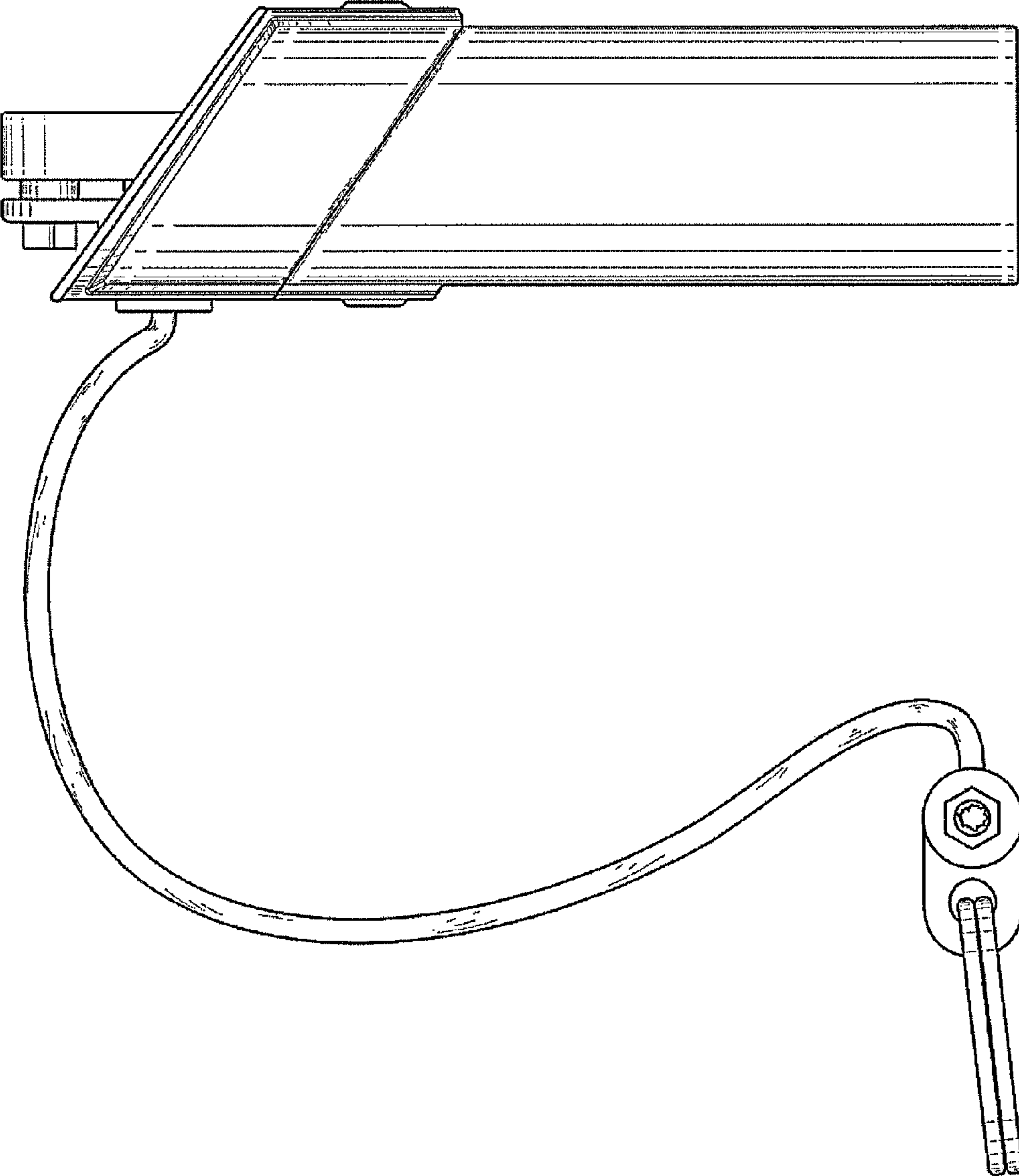


FIGURE 3



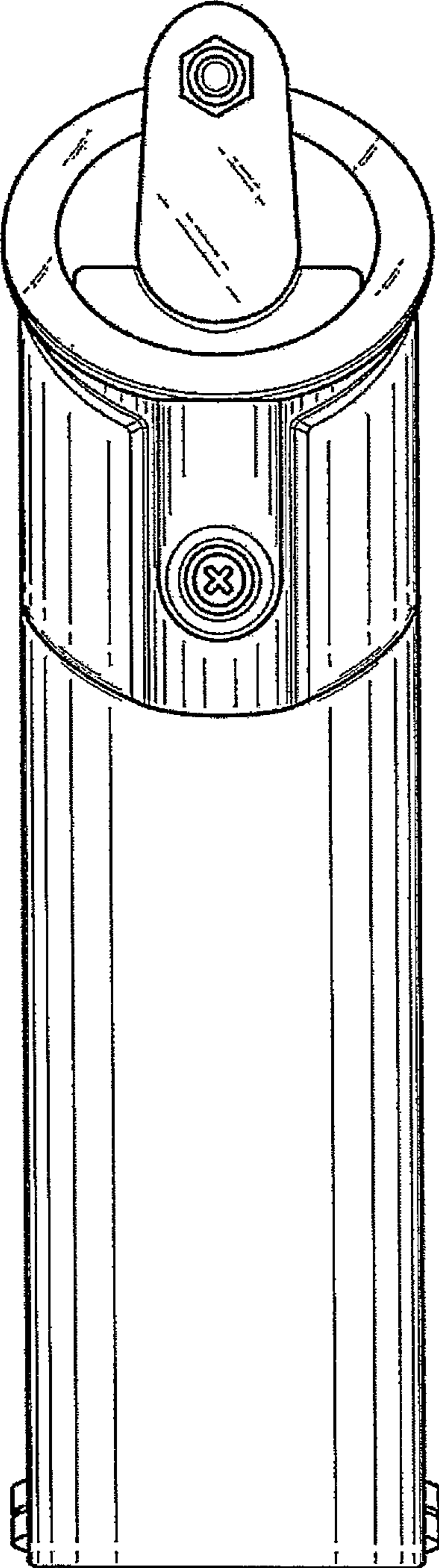


FIGURE 4

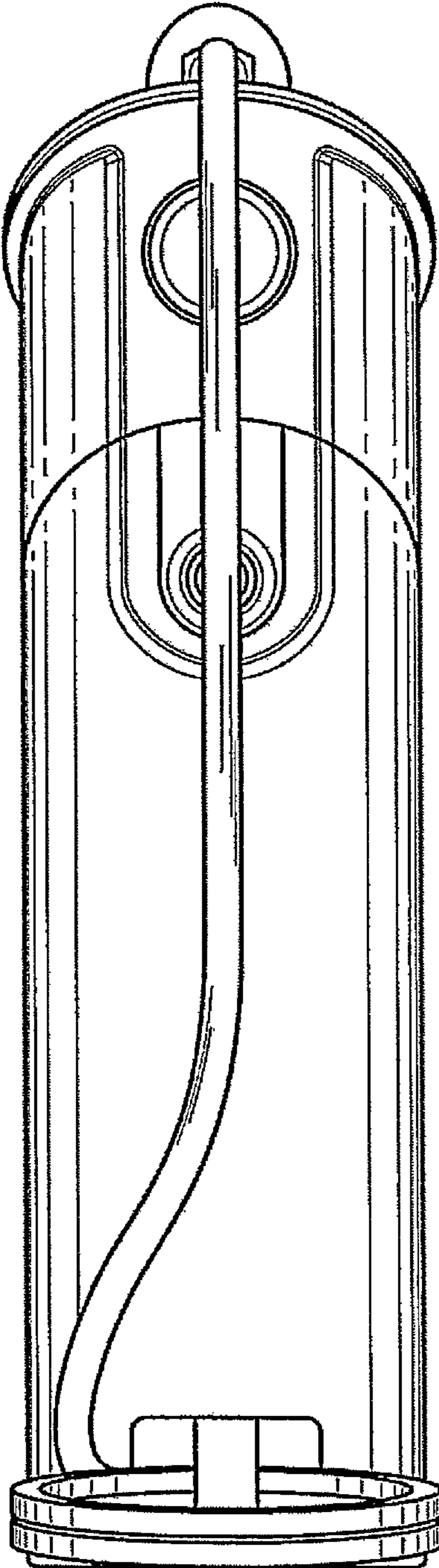


FIGURE 5

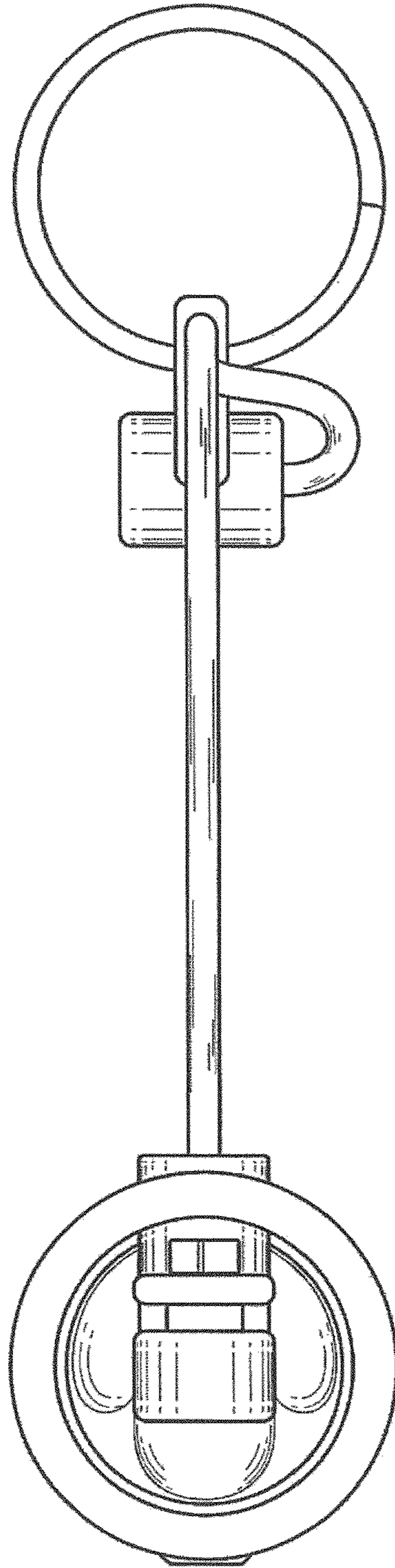


FIGURE 6

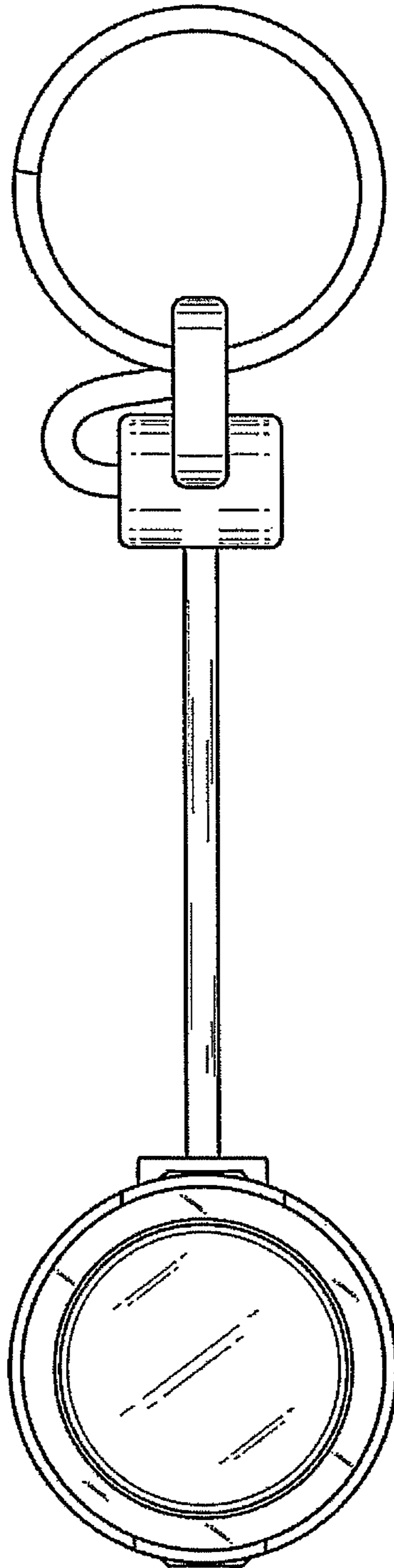


FIGURE 7