



US00D705683S

(12) **United States Design Patent**
Lauer

(10) **Patent No.:** **US D705,683 S**

(45) **Date of Patent:** **** May 27, 2014**

(54) **KITCHEN SCALE**

(71) Applicant: **Robert William Lauer**, Charlotte, NC
(US)

(72) Inventor: **Robert William Lauer**, Charlotte, NC
(US)

(73) Assignee: **Rubbermaid Commercial Products, LLC**, Winchester, VA (US)

(**) Term: **14 Years**

(21) Appl. No.: **29/461,186**

(22) Filed: **Jul. 19, 2013**

Related U.S. Application Data

(62) Division of application No. 29/422,715, filed on May 23, 2012, now Pat. No. Des. 688,964.

(51) **LOC (10) Cl.** **10-04**

(52) **U.S. Cl.**
USPC **D10/91**

(58) **Field of Classification Search**
USPC D10/88-91; 177/25.13-25.18,
177/177-182, 211-214, 210 R, 210 C,
177/210 GM, 210 FP, 210 PP, 210 EM, 148,
177/236-245, DIG. 3

See application file for complete search history.

(56) **References Cited**

U.S. PATENT DOCUMENTS

D289,744 S	5/1987	Bungener
D303,358 S	9/1989	Busse
D339,538 S	9/1993	Fellmann
D401,173 S	11/1998	Kurata et al.
D458,553 S	6/2002	Dwertmann
7,256,357 B1	8/2007	Kesselman

D596,517 S	7/2009	Kesselman	
D655,213 S	3/2012	Pan	
D669,378 S	10/2012	Pan	
2003/0010541 A1 *	1/2003	Oldendorf	177/25.13
2008/0236901 A1	10/2008	Bertoldi et al.	
2008/0245580 A1 *	10/2008	Aby-Eva et al.	177/25.12
2009/0194340 A1 *	8/2009	Mock	177/180
2012/0125697 A1	5/2012	Lauer	

OTHER PUBLICATIONS

Rubbermaid Commercial Products, Pelouze Shipping Scales, <http://www.rubbermaidcommercialproducts.com/c55/Pelouze-Shipping-Scales-c272.html>.

(Continued)

Primary Examiner — Antoine D Davis

(74) *Attorney, Agent, or Firm* — Dennis J. Williamson; Moore and Van Allen PLLC

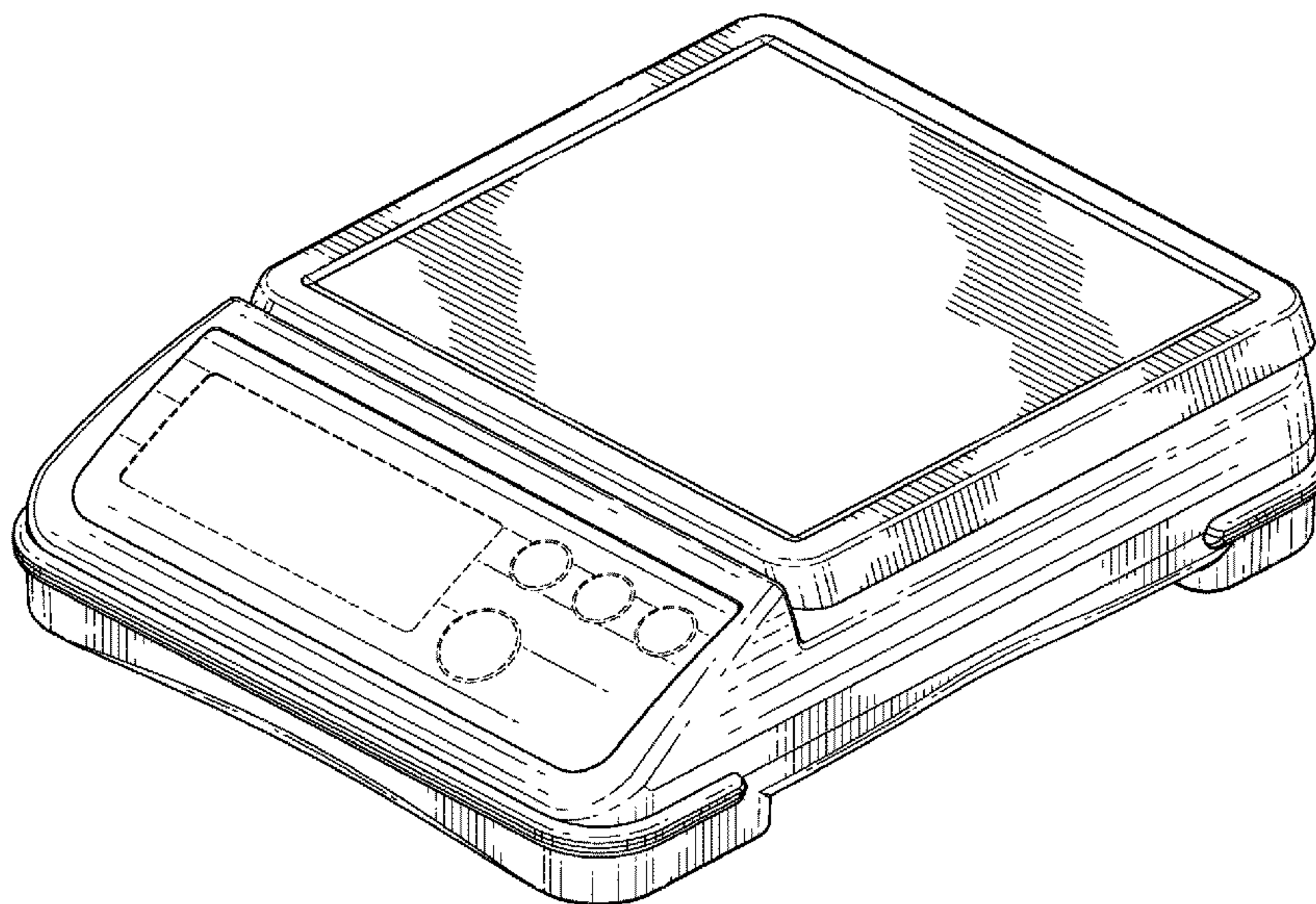
(57) **CLAIM**

I claim the ornamental design for a kitchen scale, as shown and described.

DESCRIPTION

FIG. 1 is a top perspective view of a kitchen scale, showing my new design;
 FIG. 2 is a top plan view of the kitchen scale shown in FIG. 1;
 FIG. 3 is a bottom plan view of the kitchen scale shown in FIG. 1;
 FIG. 4 is a front view of the kitchen scale shown in FIG. 1;
 FIG. 5 is a rear view of the kitchen scale shown in FIG. 1;
 FIG. 6 is a right side view of the kitchen scale shown in FIG. 1; and,
 FIG. 7 is a left side view of the kitchen scale shown in FIG. 1.
 The subject matter shown in dashed lines is for illustrative purposes and forms no part of the claimed design.

1 Claim, 5 Drawing Sheets



(56)

References Cited

OTHER PUBLICATIONS

Rubbermaid Commercial Products, Pelouze High Performance Scales, <http://www.rubbermaidcommercialproducts.com/c55/Pelouze-High-Performance-Scales-c262.html>.

Rubbermaid Commercial Products, High Performance Digital Portion Control Scales, <http://www.rubbermaidcommercial.com/rcp/products/detail.jsp?rcpNum=PS10FPX>.

Rubbermaid Commercial Products, High Performance Digital Portion Control Scales, <http://www.rubbermaidcommercial.com/rcp/products/detail.jsp?rcpNum=FS2-88>.

Rubbermaid Commercial Products, Pelouze Digital Kitchen Scale, <http://www.rubbermaidcommercialproducts.com/c55/Pelouze-Digital-Kitchen-Scale-c263.html>.

Rubbermaid Commercial Products, Pelouze PE20 Digital Straight Weight Scale, <http://www.rubbermaidcommercialproducts.com/c55/Pelouze-PE20-Digital-Straight-Weight-Scale-p1960.html>.

Rubbermaid Commercial Products, Pelouze 4010 and 4040 Digital Receiving Utility Scales, <http://www.rubbermaidcommercialproducts.com/Pelouze-4010-and-4040-Digital-Receiving-Utility-Scales-c271.html>.

Dymo, SP5—5 lb/ 2 Kg Digital Mailing Scale, http://global.dymo.com/enCA/Products/SP5_-_5_lb_2_Kg_Digital_Mailing_Scale.html.

* cited by examiner

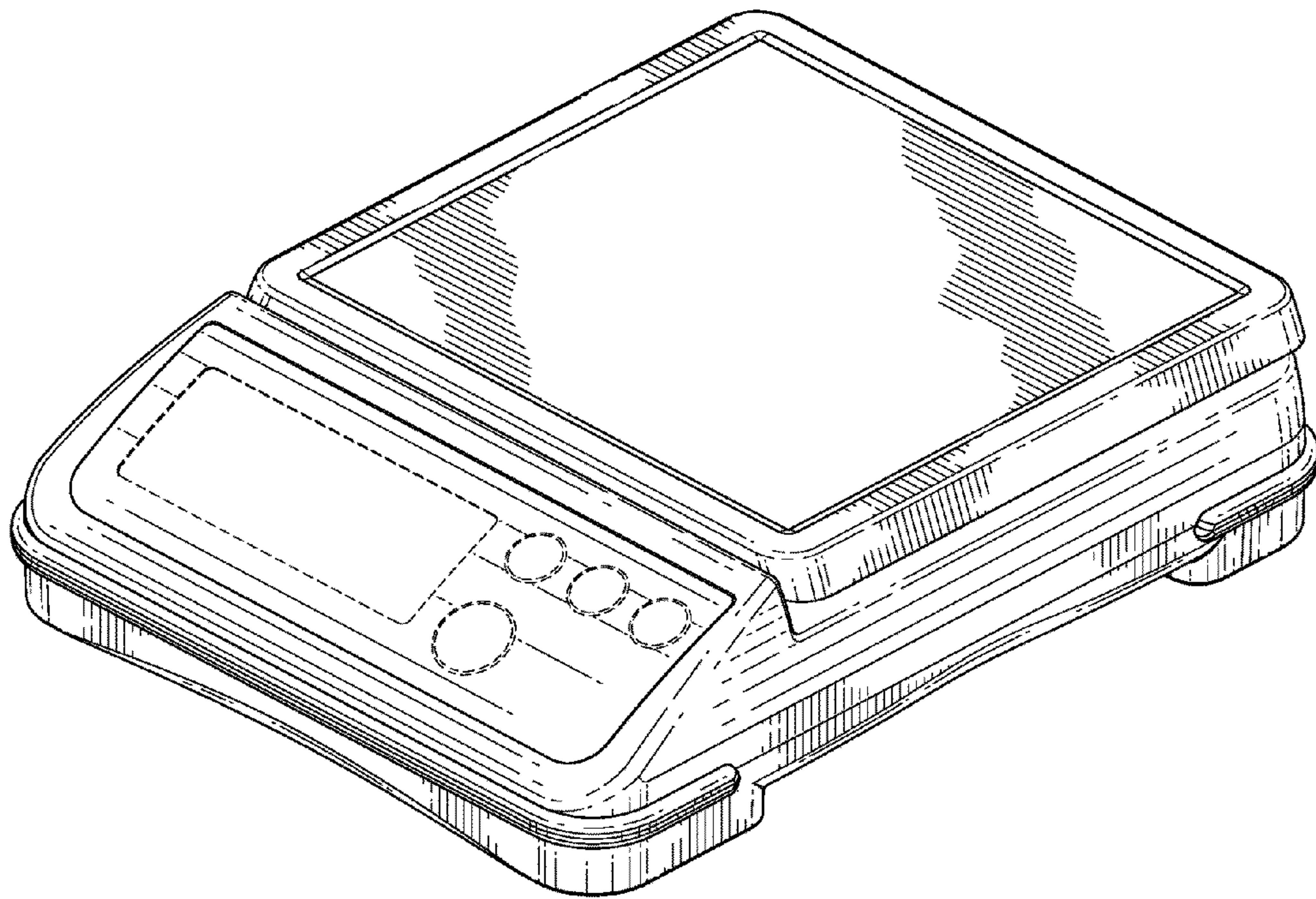


FIG. 1

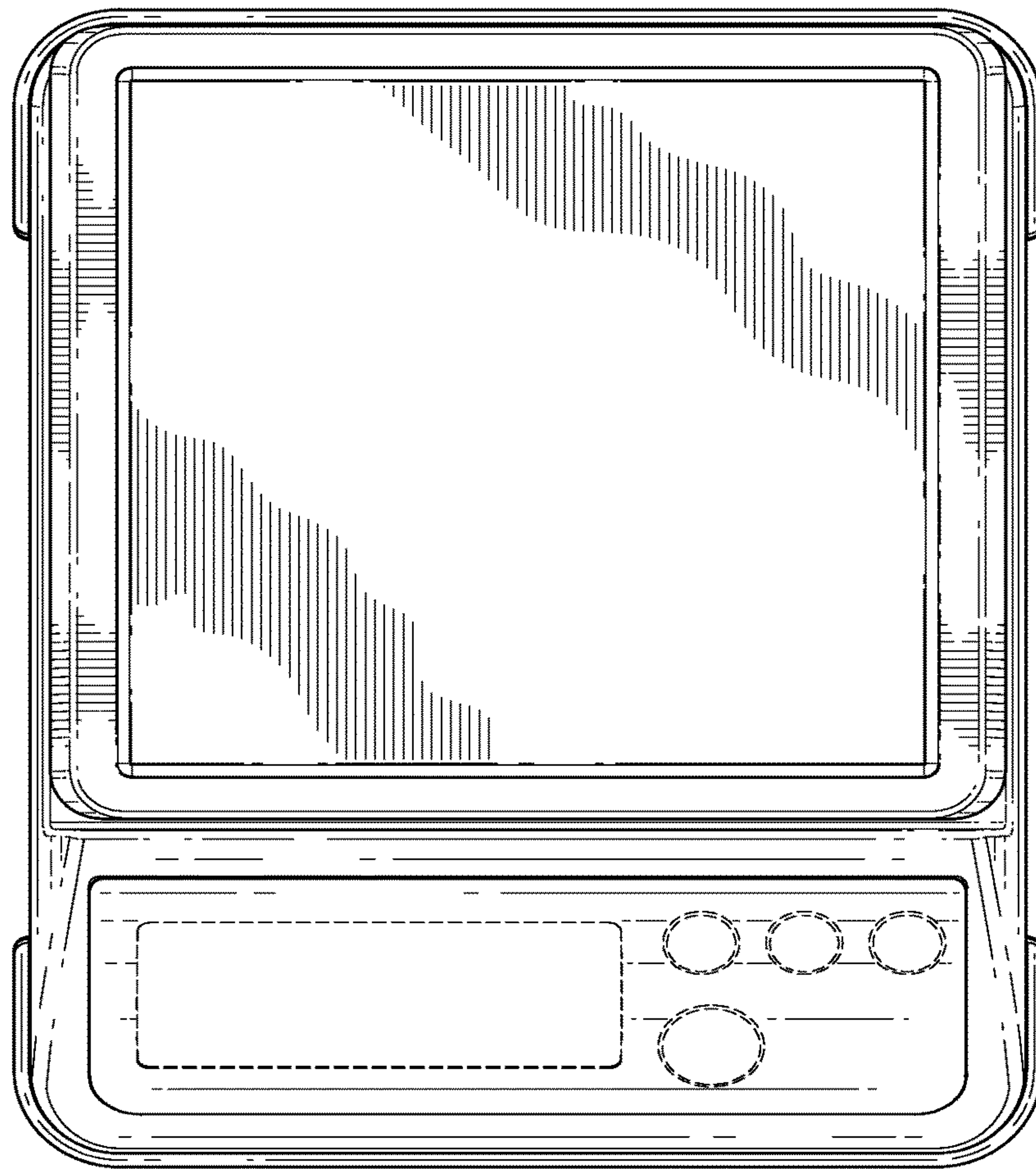


FIG. 2

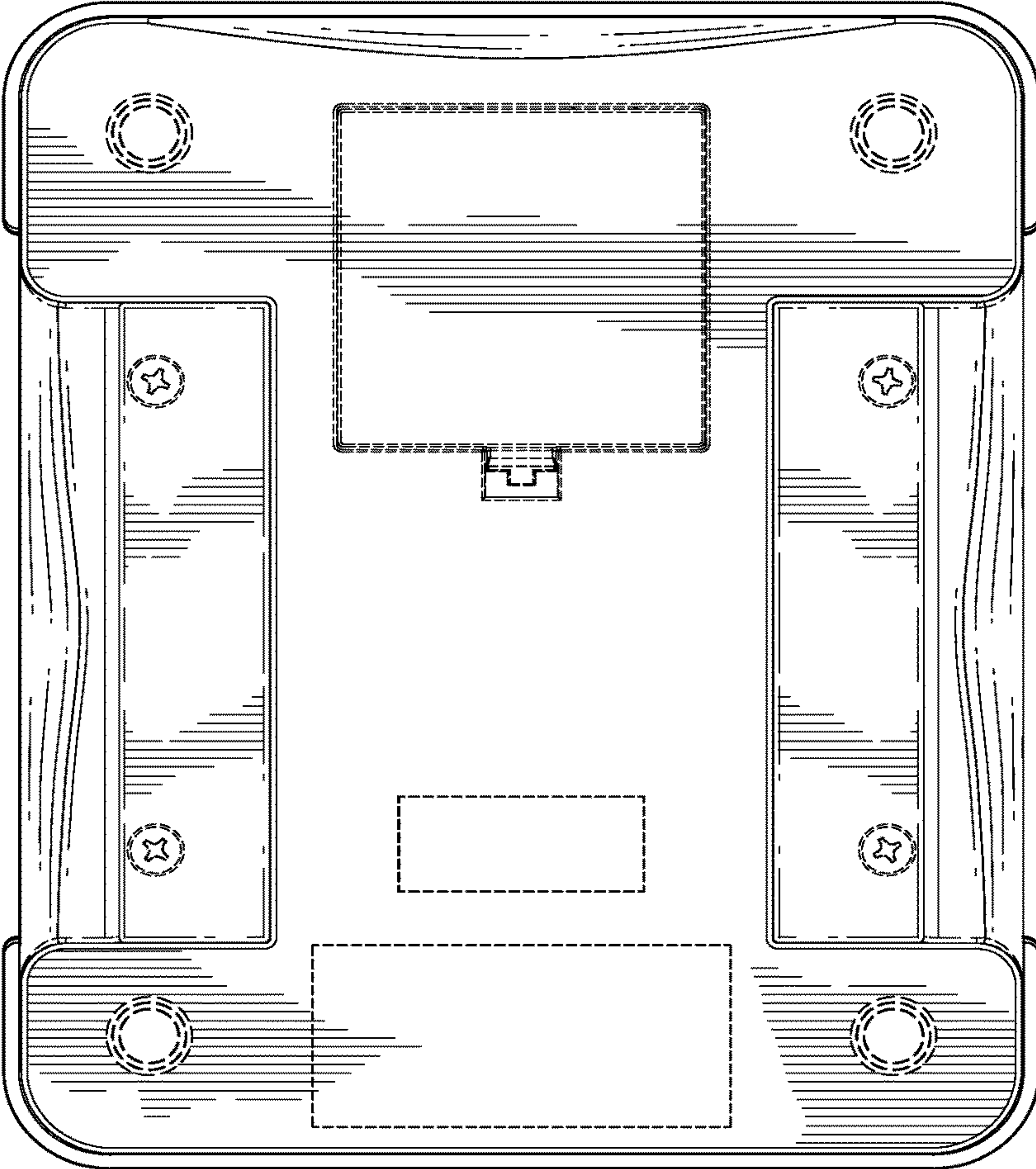


FIG. 3

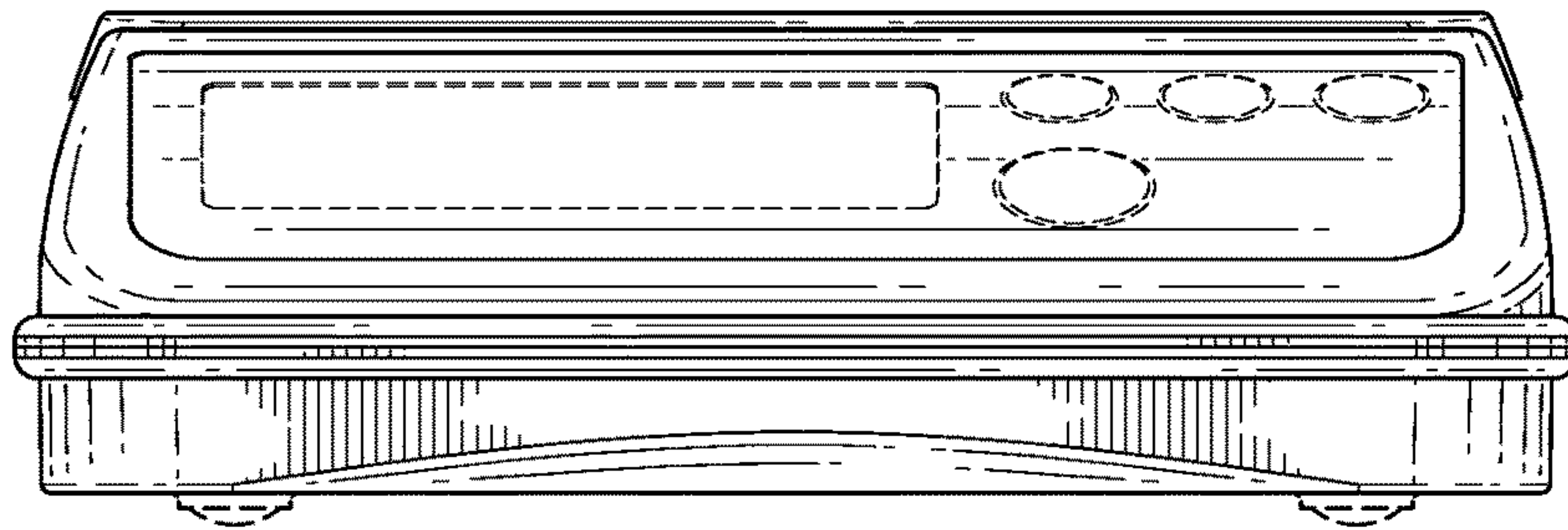


FIG. 4

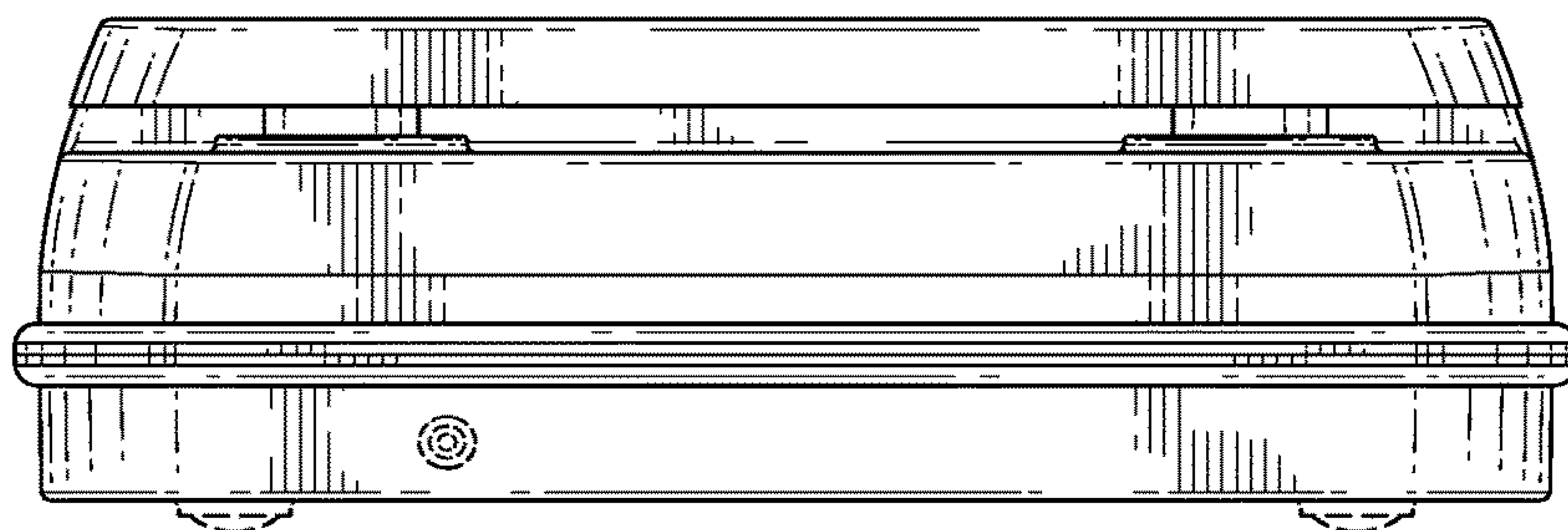


FIG. 5

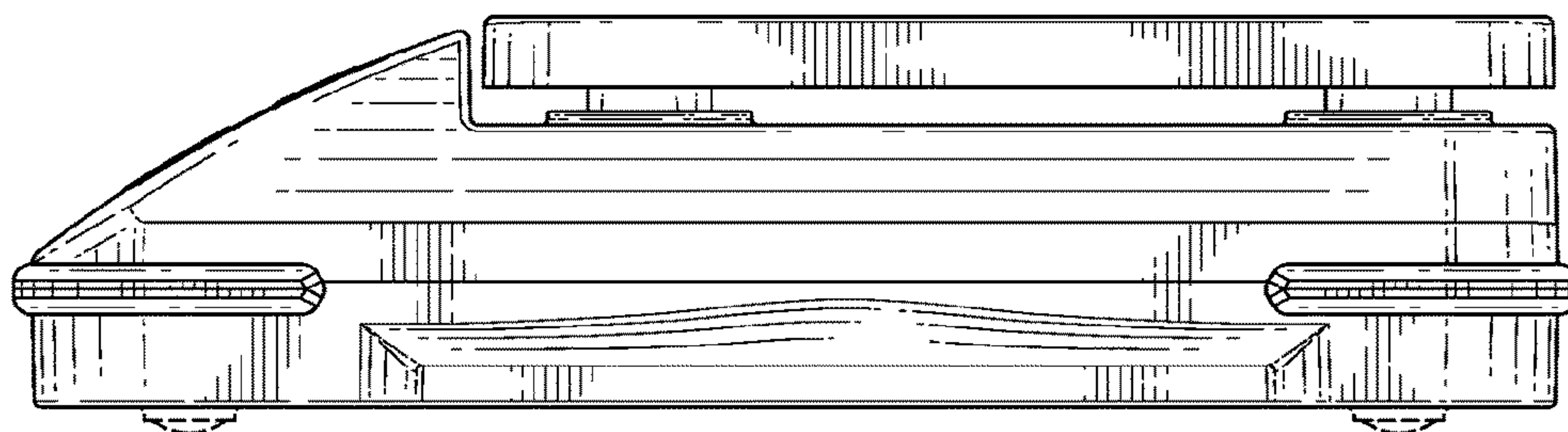


FIG. 6

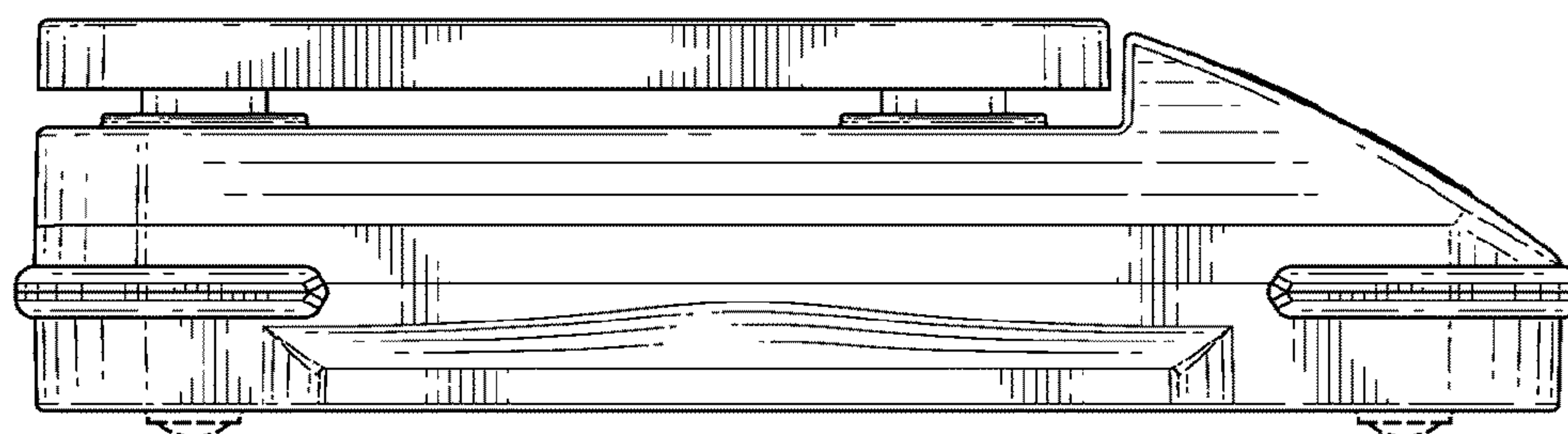


FIG. 7