

US00D705681S

(12) **United States Design Patent**
Morishita et al.

(10) **Patent No.:** **US D705,681 S**

(45) **Date of Patent:** **** May 27, 2014**

(54) **DIGITAL MULTI METER**

(71) Applicant: **Hioki E.E. Corporation**, Nagano (JP)

(72) Inventors: **Kouji Morishita**, Nagano (JP); **Seiji Onuma**, Nagano (JP)

(73) Assignee: **Hioki E.E. Corporation** (JP)

(**) Term: **14 Years**

(21) Appl. No.: **29/452,324**

(22) Filed: **Apr. 15, 2013**

(30) **Foreign Application Priority Data**

Oct. 22, 2012 (JP) 2012-025571

(51) **LOC (10) Cl.** **10-04**

(52) **U.S. Cl.**
USPC **D10/78**

(58) **Field of Classification Search**

USPC D10/78; 324/66, 67, 158 P, 539–542,
324/72.5, 556, 133, 149, 503, 543, 555, 72,
324/754, 115, 141, 114, 145, 156, 508;
379/21, 60, 66, 96, 106.01–106.11;
340/635, 687, 654; 73/866.5

See application file for complete search history.

(56) **References Cited**

U.S. PATENT DOCUMENTS

D390,139	S	*	2/1998	Tomiyama et al.	D10/78
D446,137	S	*	8/2001	Chang	D10/78
D446,735	S	*	8/2001	McCain	D10/78
D472,828	S	*	4/2003	Chang	D10/78
D601,047	S	*	9/2009	Chang	D10/78
D625,633	S	*	10/2010	Laurino et al.	D10/78
D684,073	S	*	6/2013	Elrod et al.	D10/78
2011/0026193	A1	*	2/2011	Rasmussen et al.	361/627
2012/0103765	A1	*	5/2012	Worones et al.	200/11 DA
2013/0156438	A1	*	6/2013	Hudson et al.	398/116
2013/0214764	A1	*	8/2013	Marzynski et al.	324/114

* cited by examiner

Primary Examiner — Antoine D Davis

(74) *Attorney, Agent, or Firm* — Cantor Colburn LLP

(57) **CLAIM**

The ornamental design for a digital multi meter, as shown and described.

DESCRIPTION

FIG. 1 is a front perspective view of a digital multimeter.
FIG. 2 is a rear perspective view of FIG. 1;
FIG. 3 is a front view of FIG. 1;
FIG. 4 is a rear view of FIG. 1;
FIG. 5 is a left side view of FIG. 1;
FIG. 6 is a right side view of FIG. 1;
FIG. 7 is a top view of FIG. 1;
FIG. 8 is a bottom view of FIG. 1; and,
FIG. 9 is a front view of FIG. 1.

1 Claim, 4 Drawing Sheets

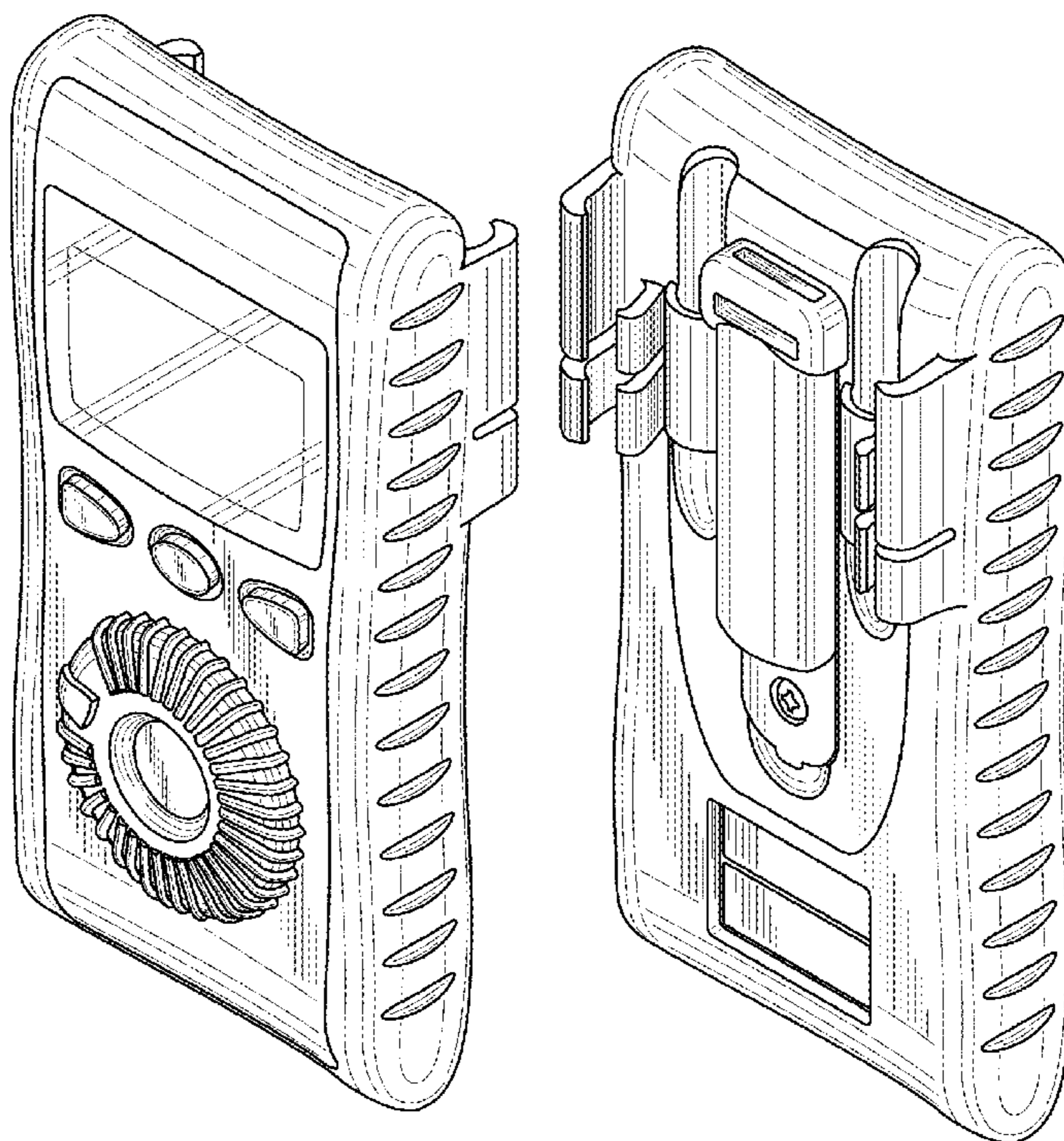


FIG. 1

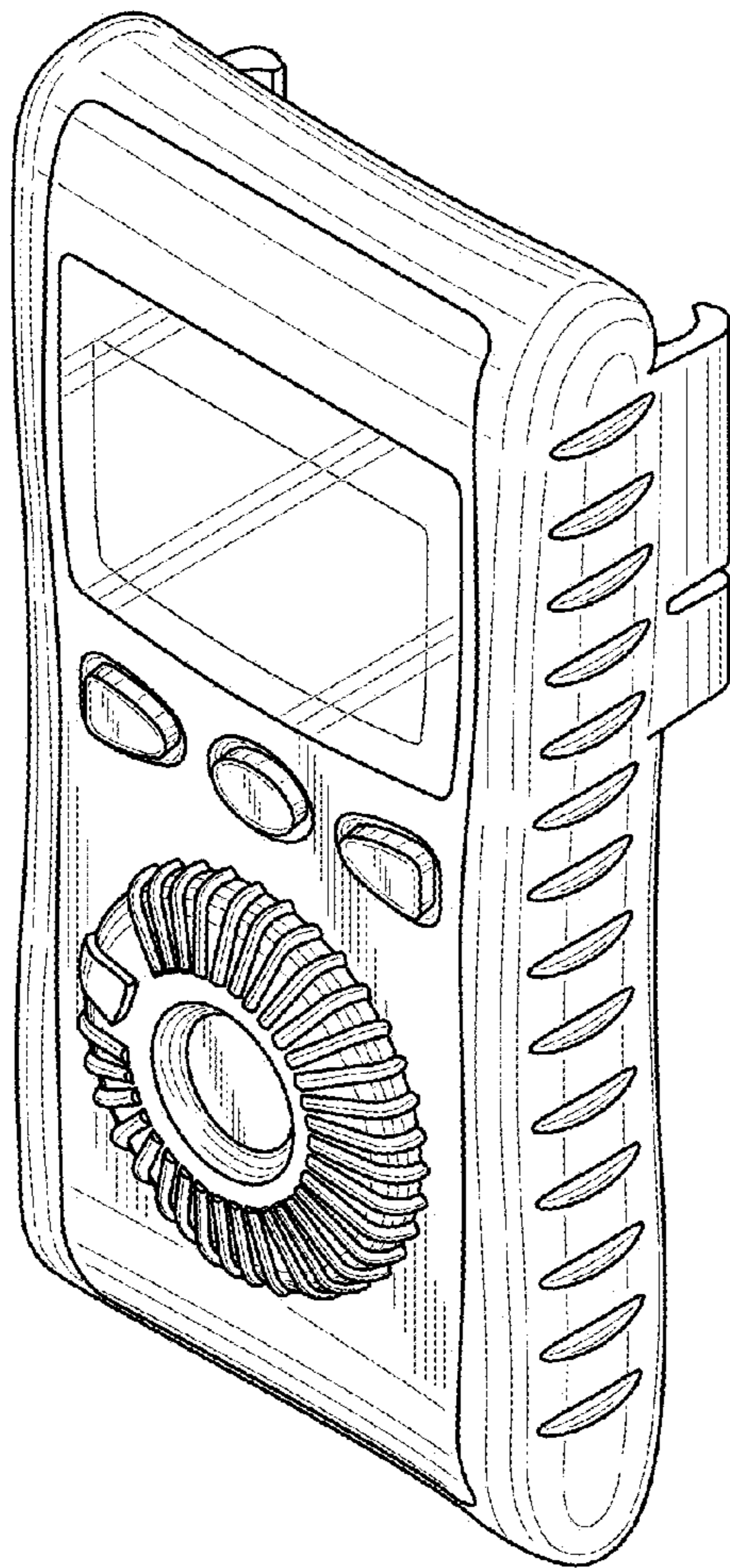


FIG. 2

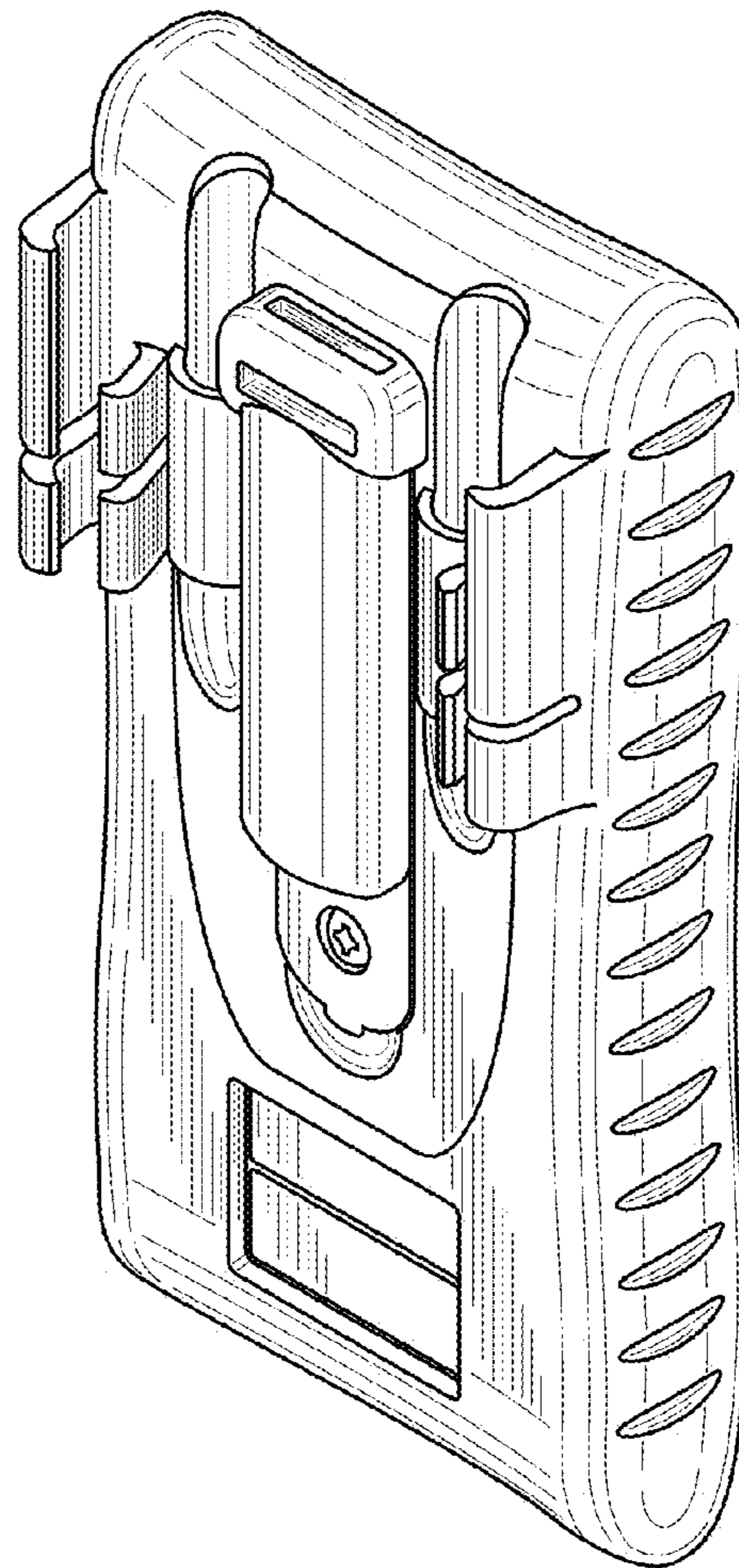


FIG. 3

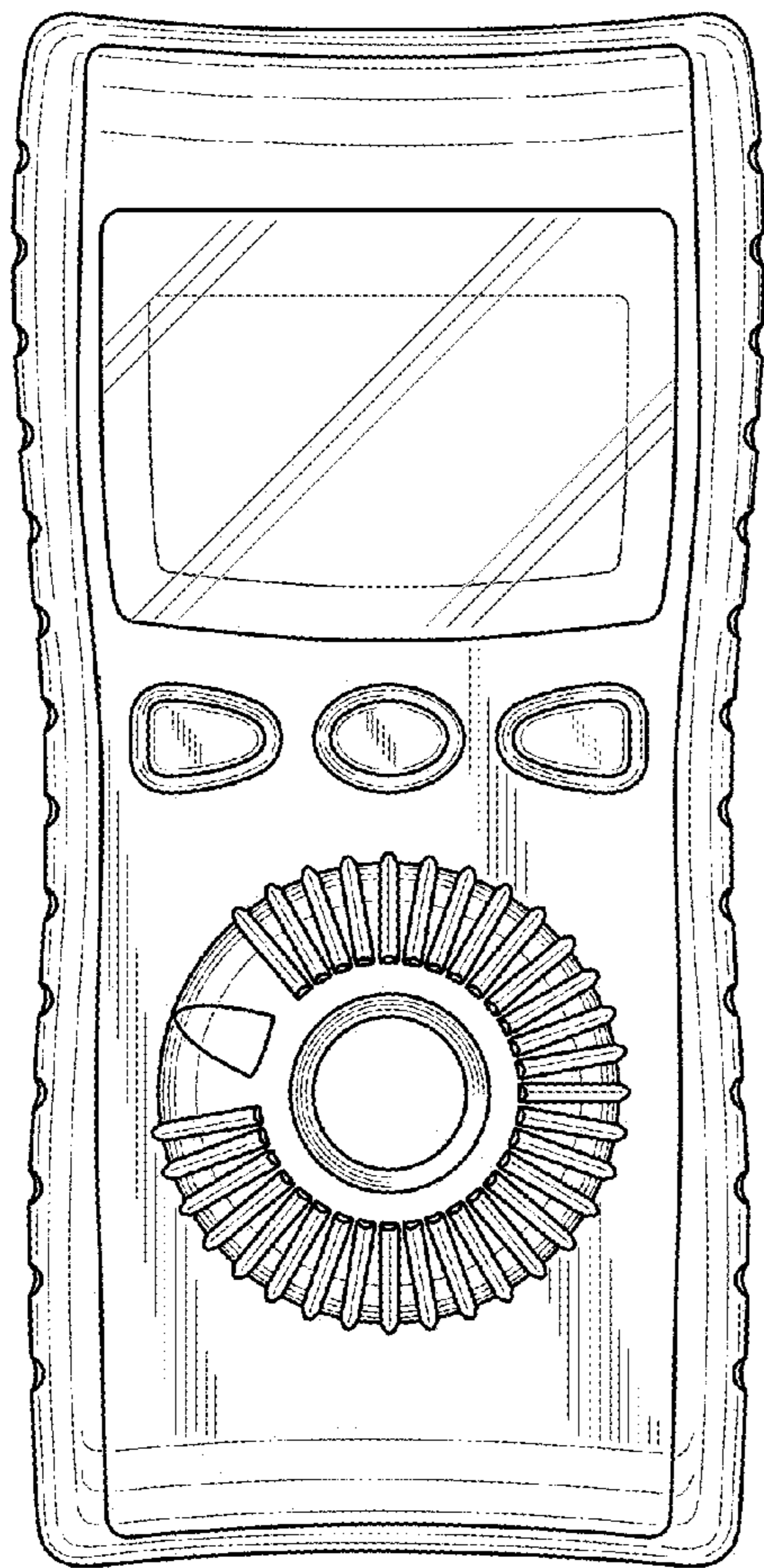


FIG. 4

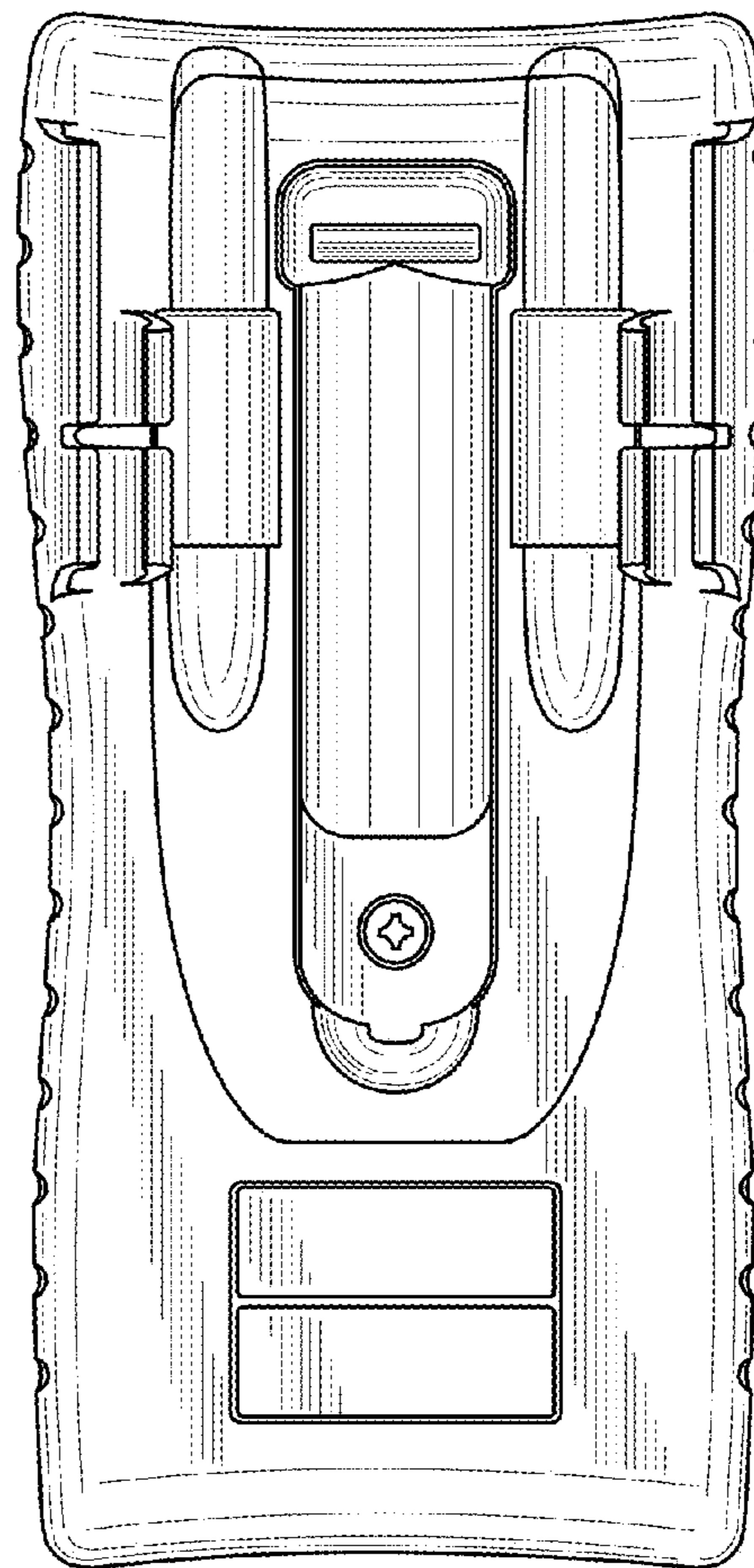


FIG. 5

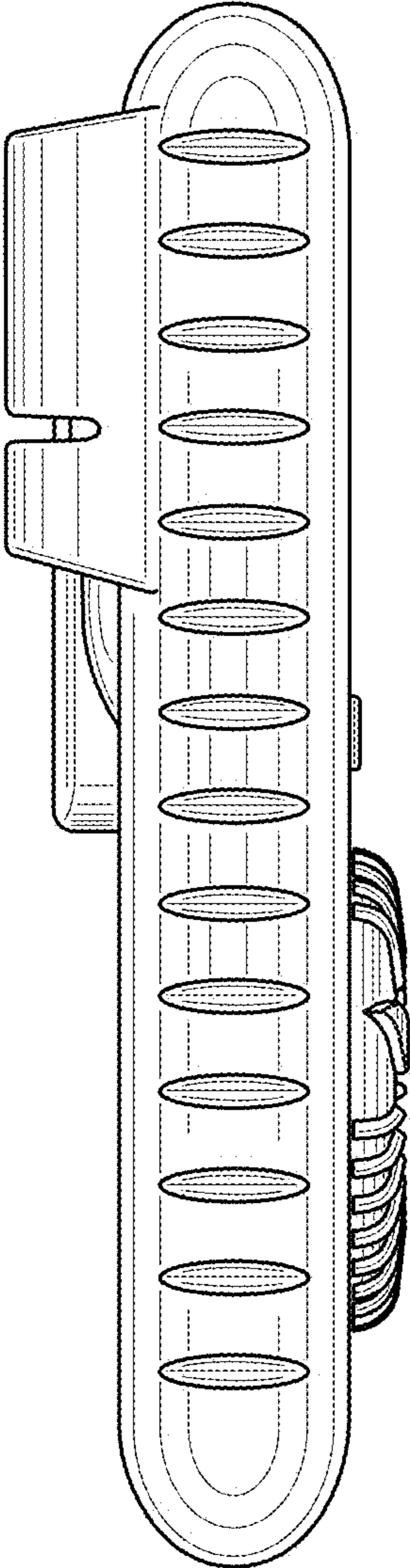


FIG. 6

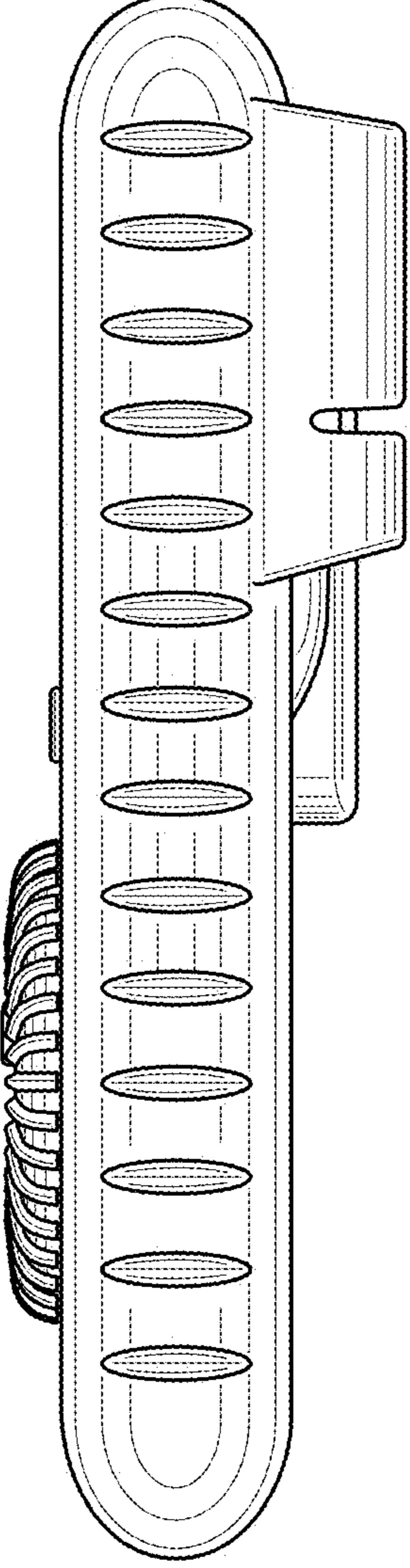


FIG. 7

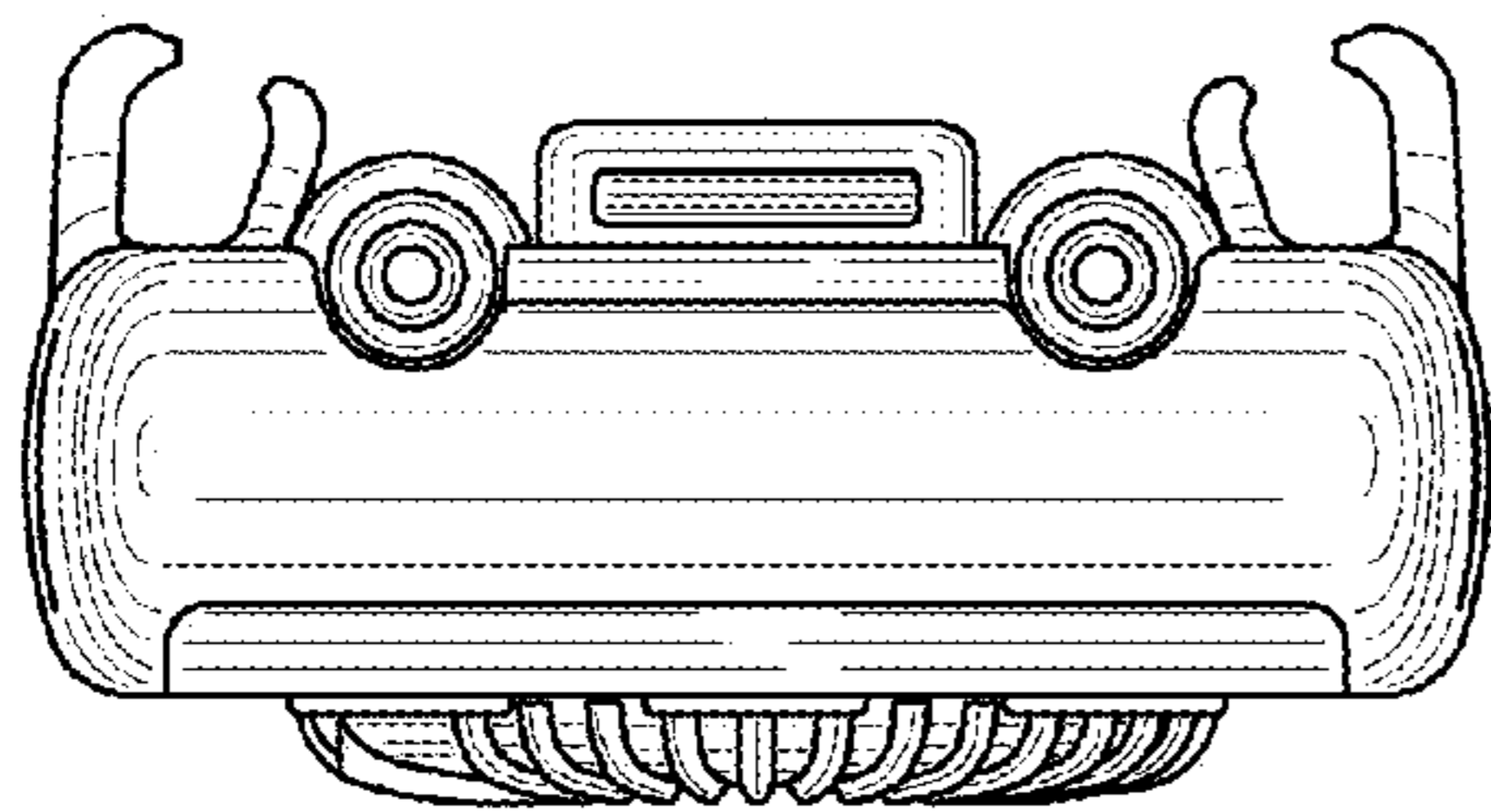


FIG. 8

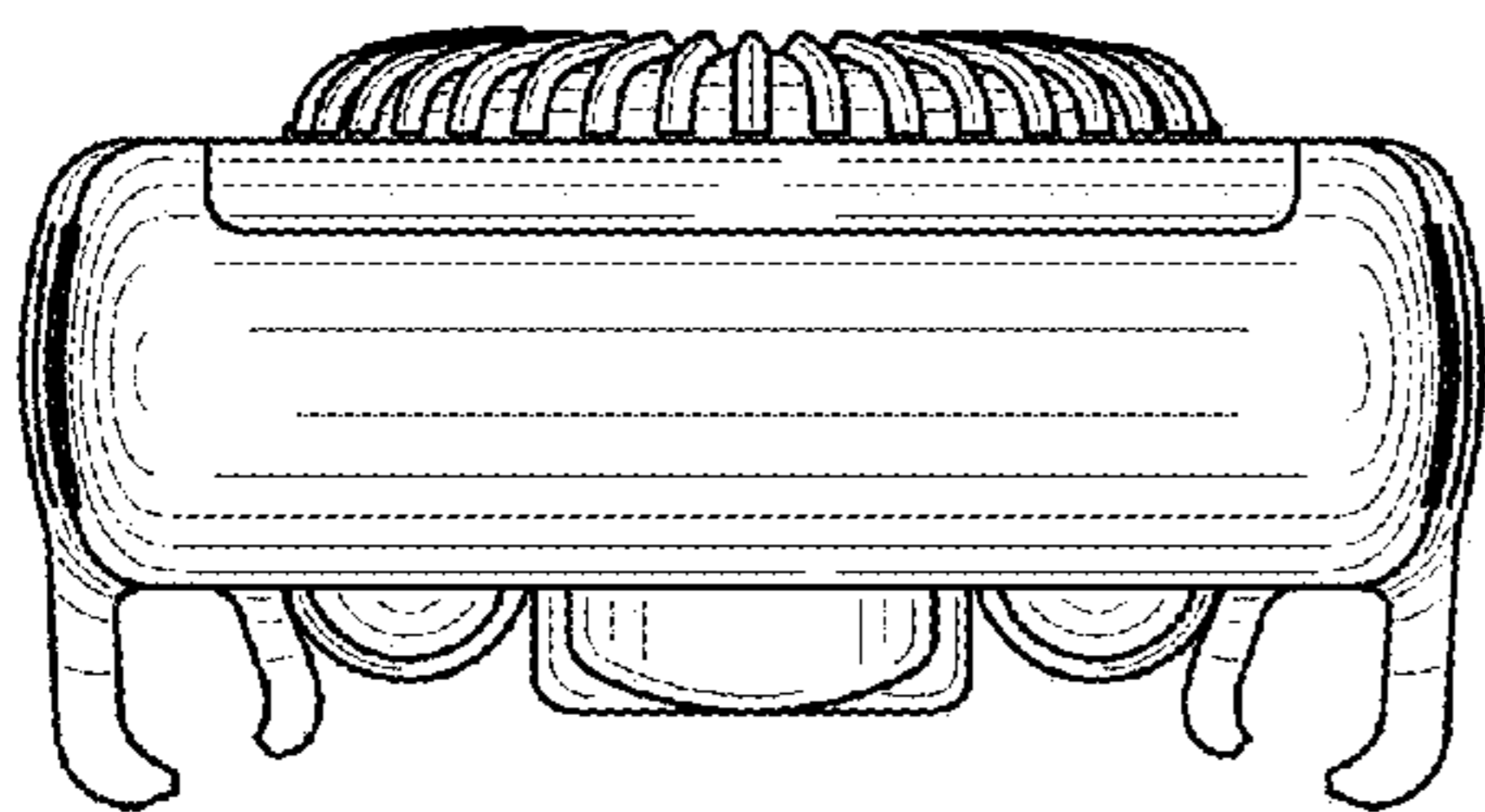


FIG. 9

