



US00D705680S

(12) **United States Design Patent**
Wiercinski et al.

(10) **Patent No.:** **US D705,680 S**
(45) **Date of Patent:** **** May 27, 2014**

(54) **DEVICE MOUNT**

(71) Applicant: **Garmin Switzerland GmbH**,
Schaffhausen (CH)
(72) Inventors: **Justin D. Wiercinski**, Kansas City, MO
(US); **Benjamin E. Morrill**, Overland
Park, KS (US); **Derrick D. Lenz**, Olathe,
KS (US); **Warren R. Stevens**, Olathe,
MO (US)

(73) Assignee: **Garmin Switzerland GmbH** (CH)

(**) Term: **14 Years**

(21) Appl. No.: **29/441,439**

(22) Filed: **Jan. 4, 2013**

(51) **LOC (10) Cl.** **10-04**

(52) **U.S. Cl.**
USPC **D10/74**

(58) **Field of Classification Search**
USPC D10/74; D8/349; D14/347; 248/288.31,
248/205.5, 481, 663; 403/133, 135;
701/444, 400, 408, 469, 500;
340/425.5, 438

See application file for complete search history.

(56) **References Cited**

U.S. PATENT DOCUMENTS

7,296,771 B2 11/2007 Kalis et al. 248/288.31
8,086,278 B2 * 12/2011 Li et al. 455/569.1
D659,571 S * 5/2012 Hoggarth et al. D10/74

OTHER PUBLICATIONS

U.S. Appl. No. 13/734,687, filed Jan. 4, 2013.
Garmin nüvi 3xxx suction cup, published prior to Jan. 12, 2013.
Garmin nüvi 8xxx suction cup, published prior to Jan. 12, 2013.

* cited by examiner

Primary Examiner — Antoine D Davis
(74) *Attorney, Agent, or Firm* — Samuel M. Korte;
Mohammad M. Ali

(57) **CLAIM**

The ornamental design for a device mount, as shown and described.

DESCRIPTION

FIG. 1 is a front perspective view of a device mount according to embodiments of the present invention; FIG. 2 is a rear perspective view of the device mount; FIG. 3 is a top view of the device mount; FIG. 4 is a front view of the device mount; FIG. 5 is a bottom view of the device mount; FIG. 6 is a rear view of the device mount; FIG. 7 is a left side view of the device mount; and, FIG. 8 is a right side view of the device mount. Portions of FIGS. 1 through 8 are shown in dashed lines for illustrative purposes only and form no part of the claimed design.

1 Claim, 3 Drawing Sheets

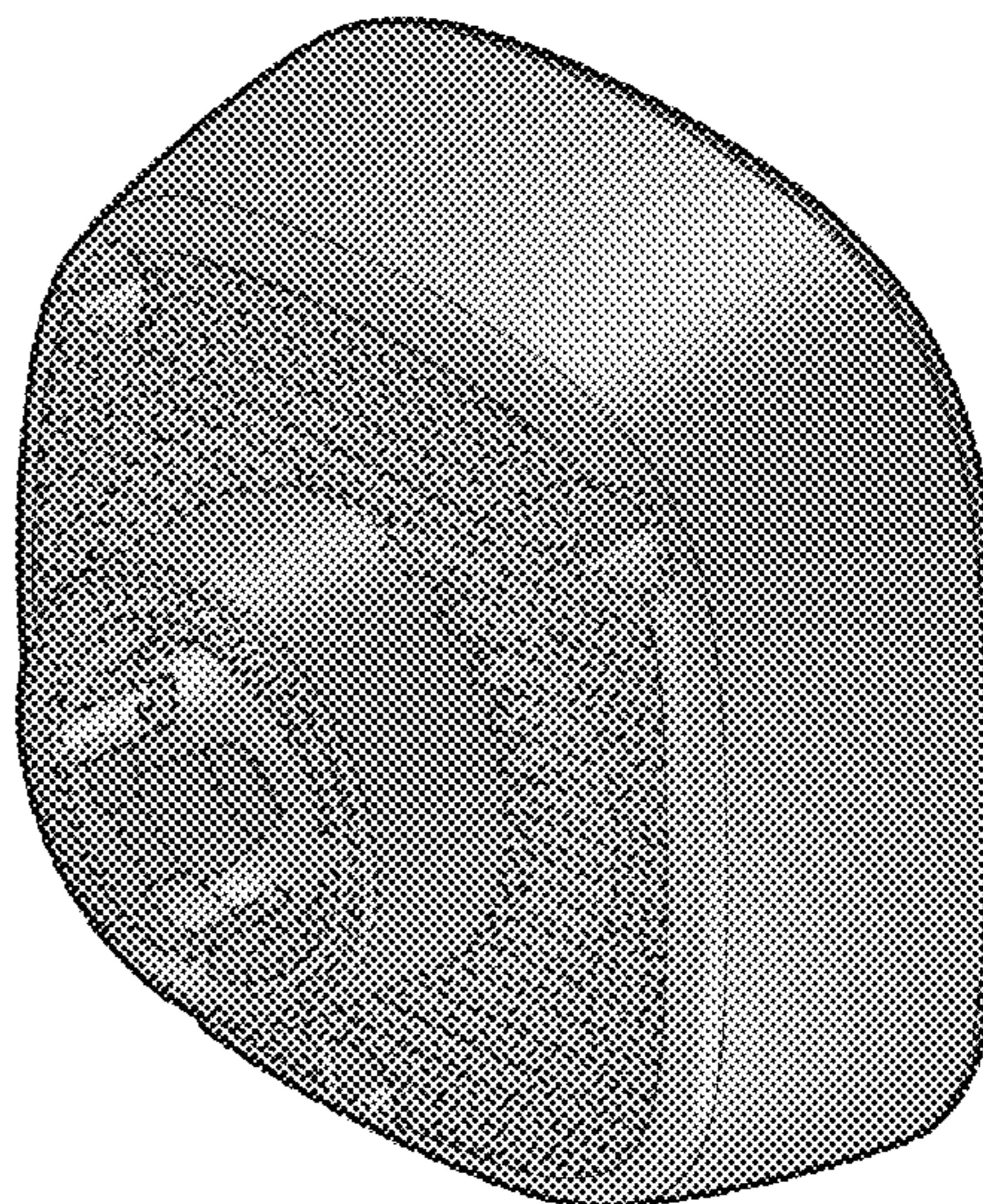
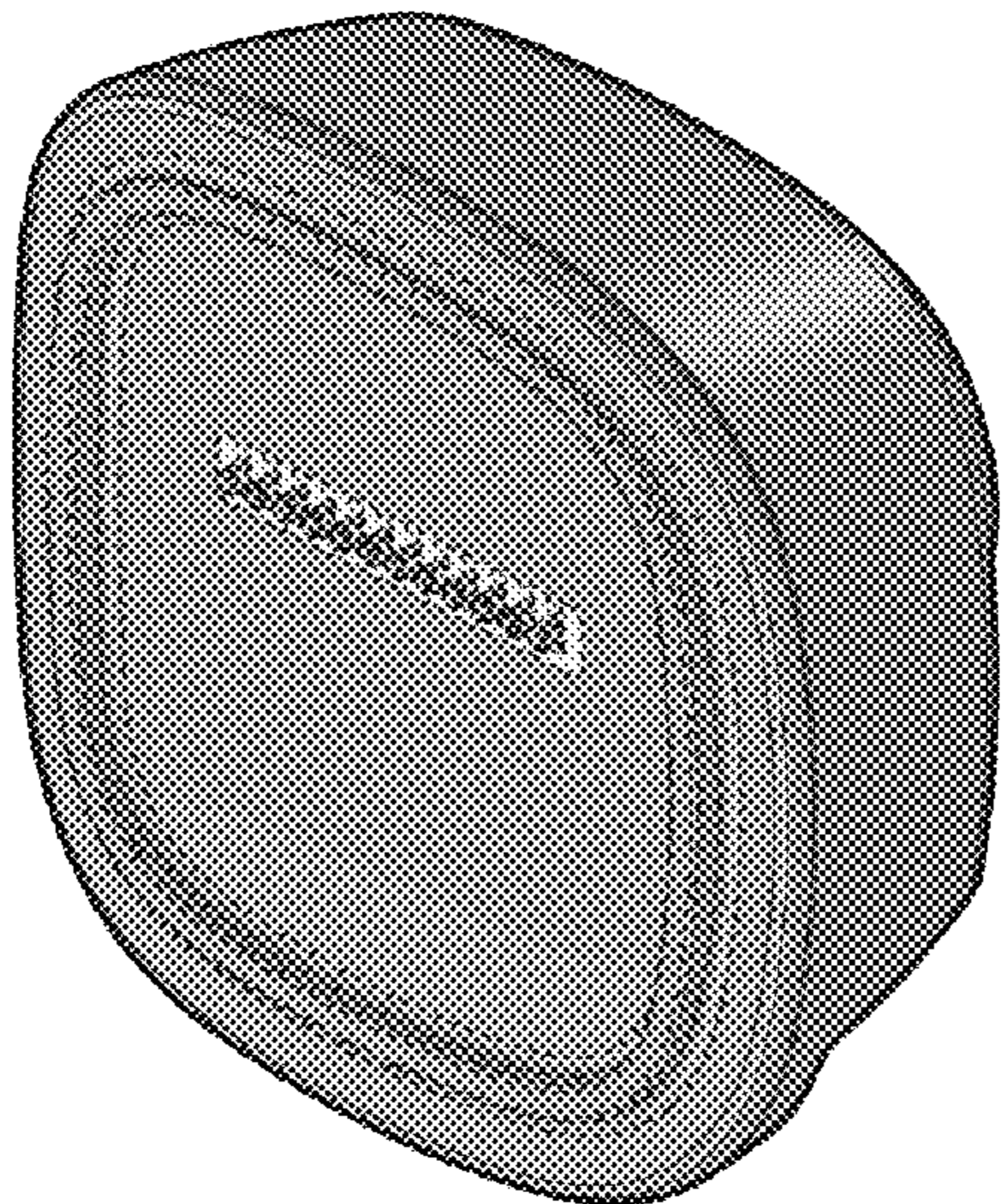


Fig. 1

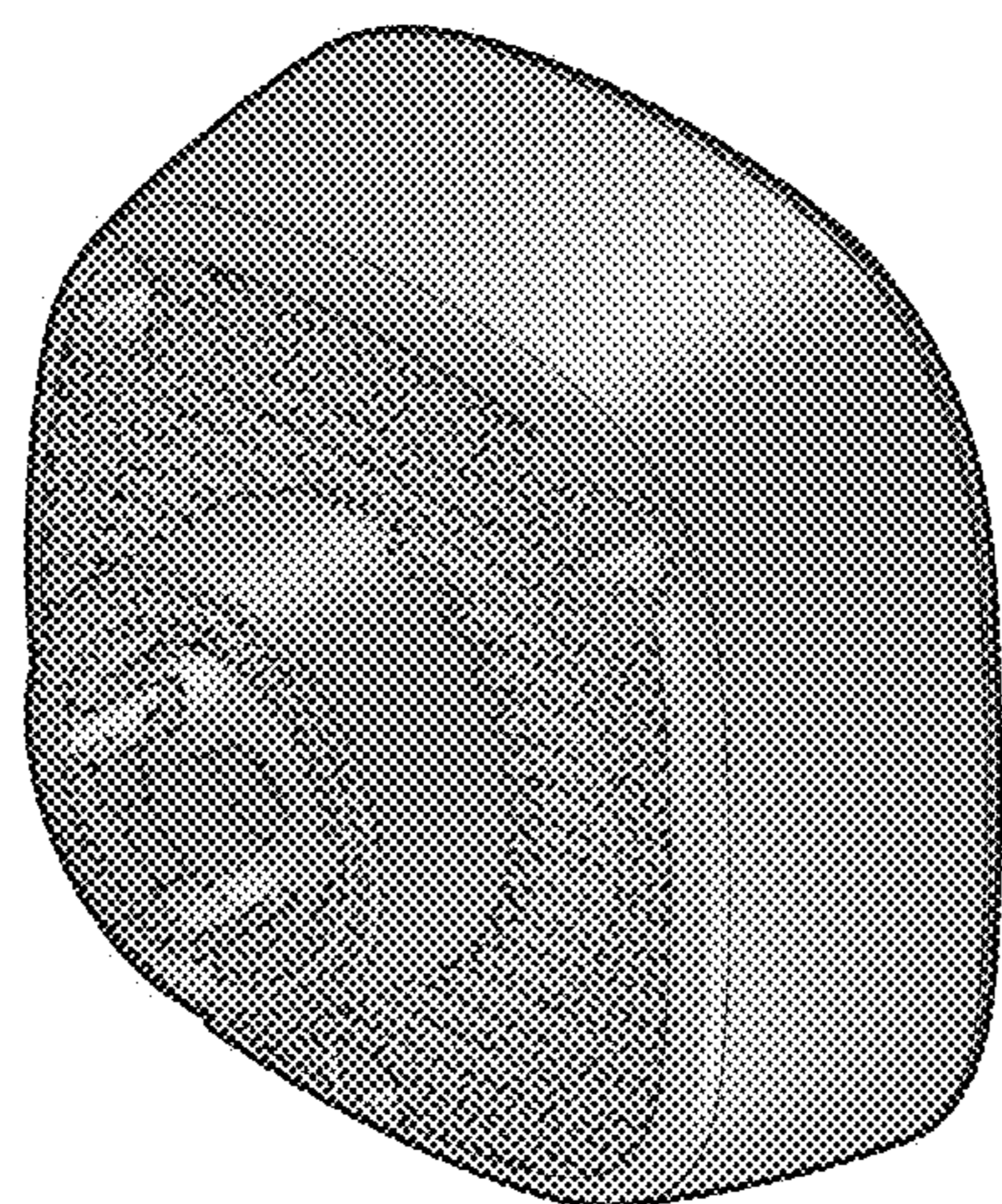
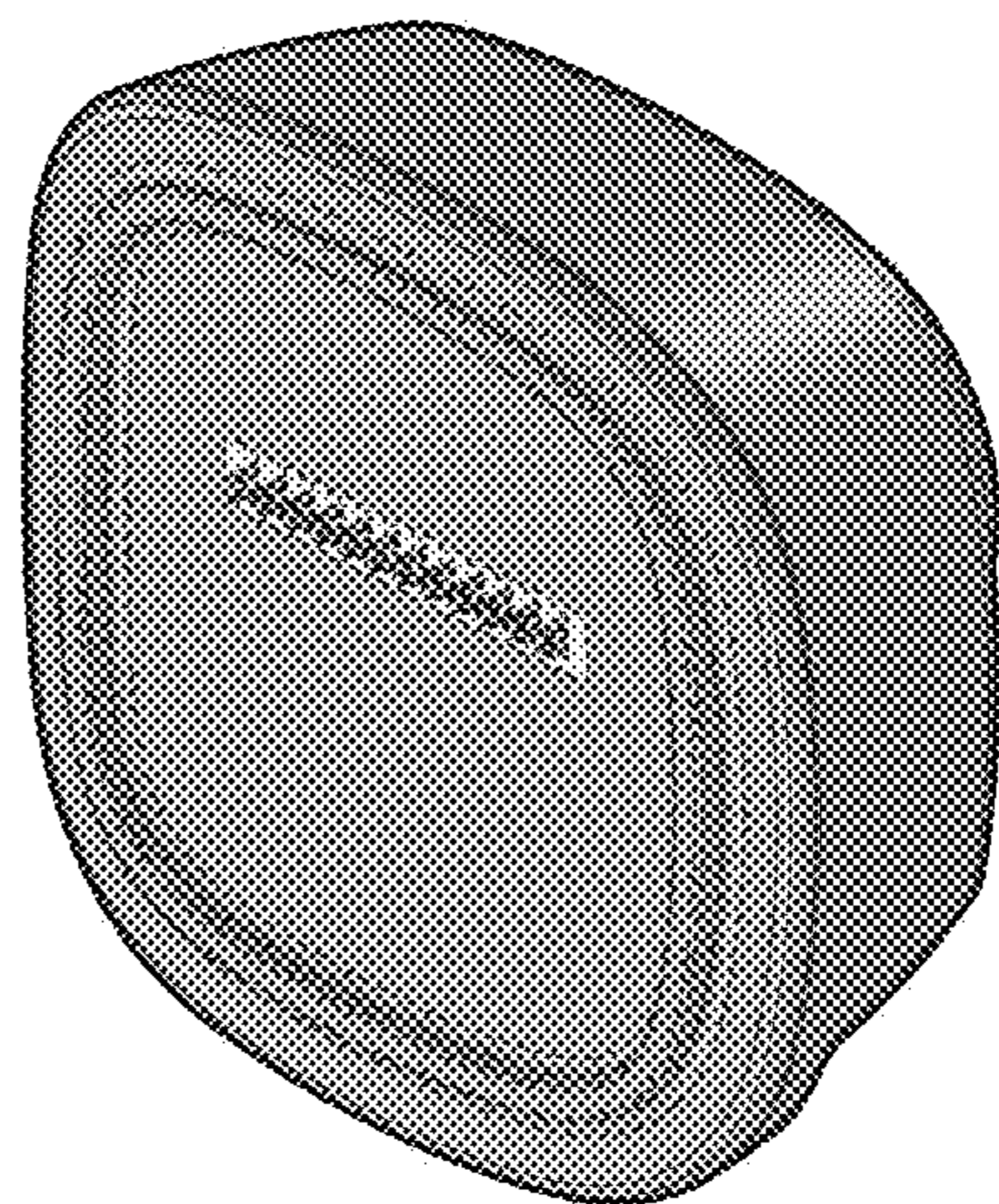


Fig. 2

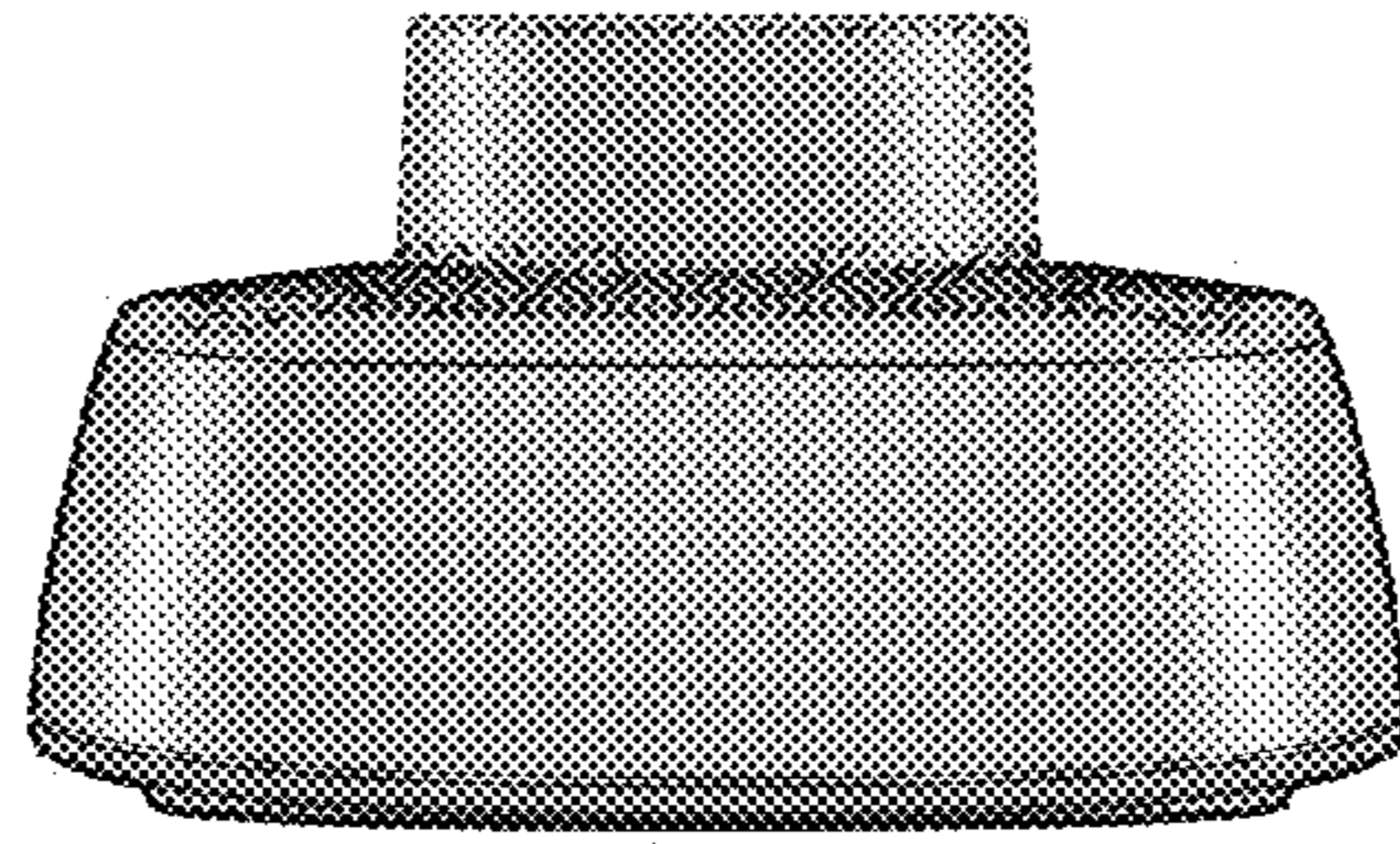


Fig. 3

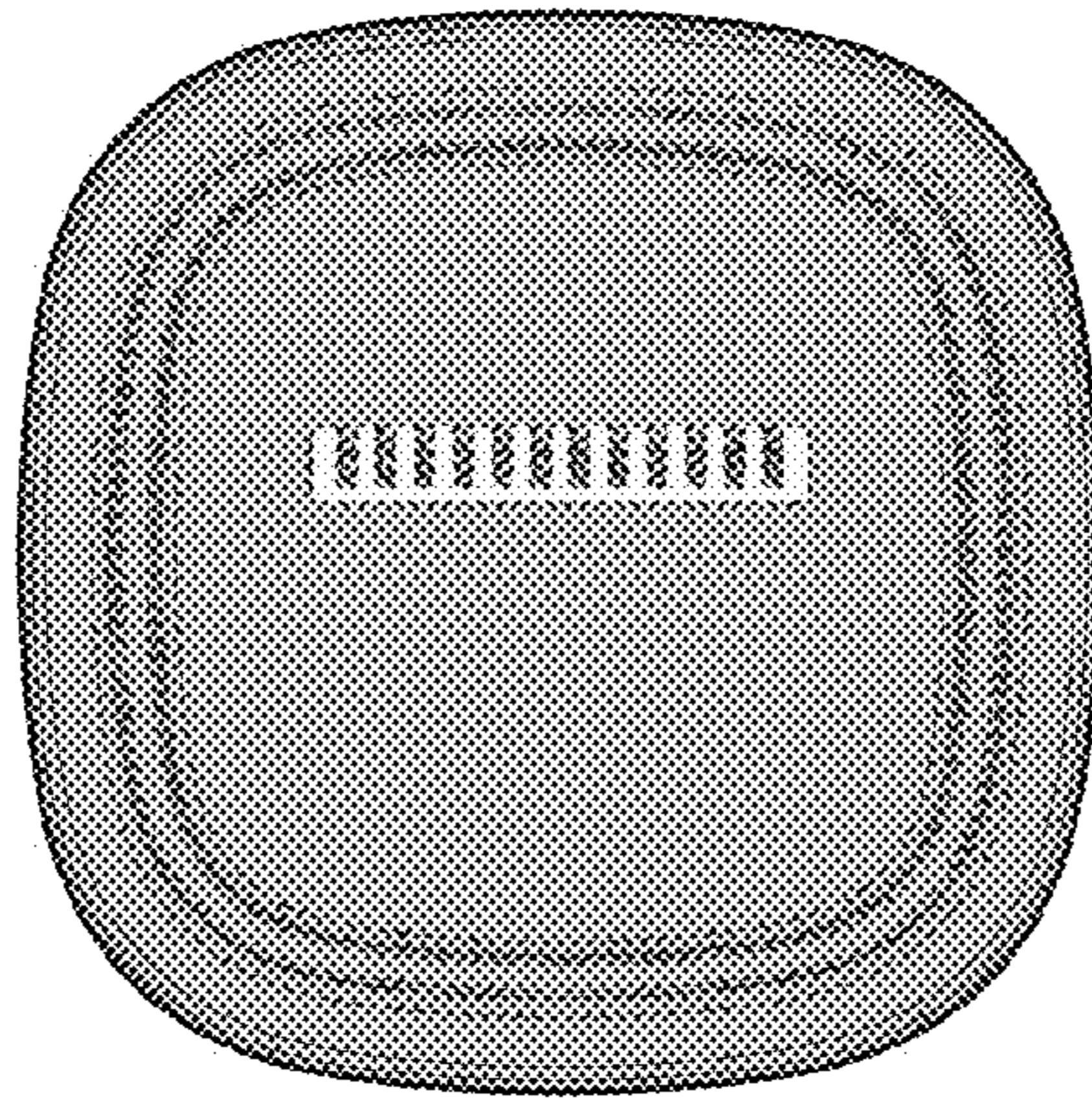


Fig. 4

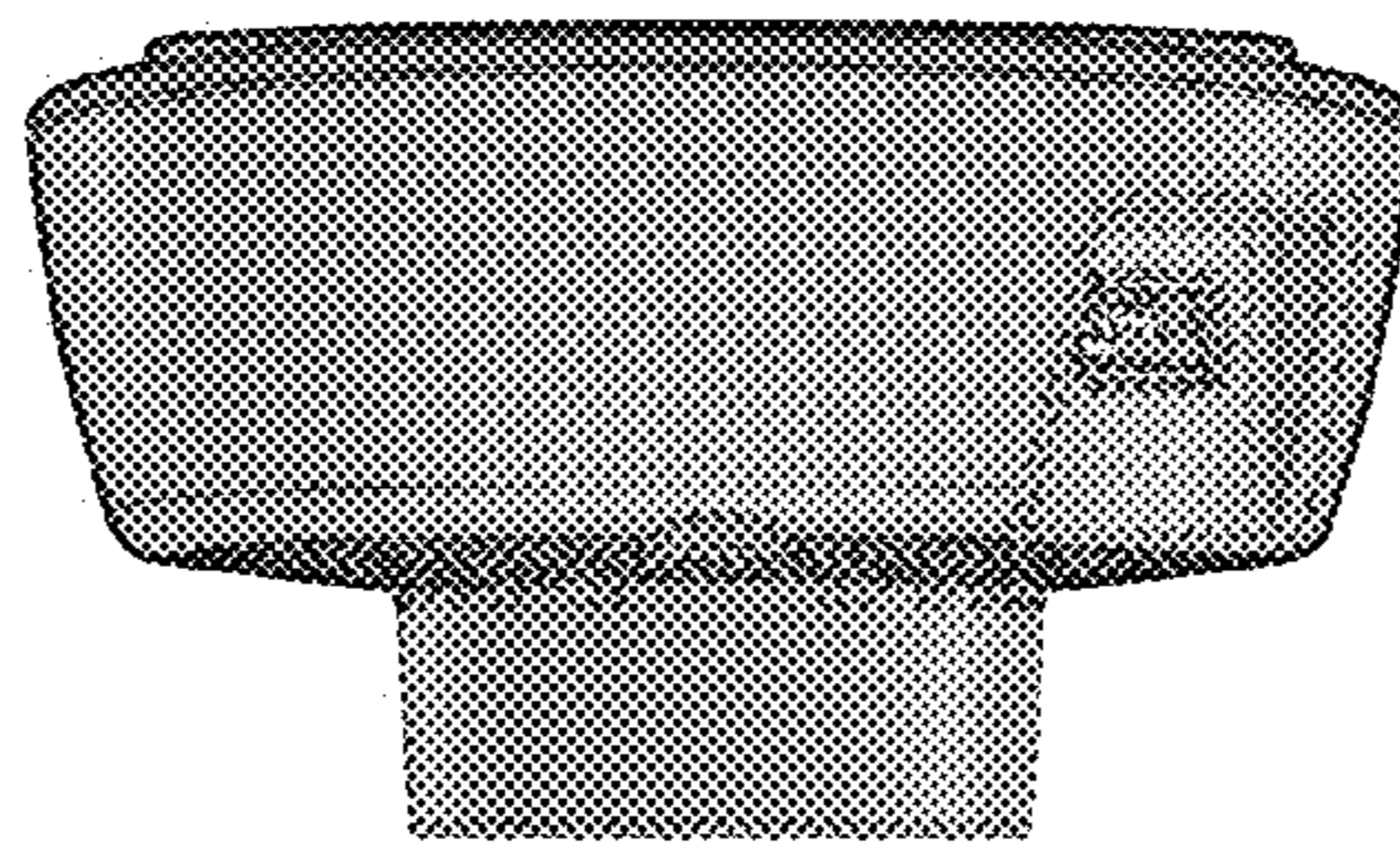


Fig. 5

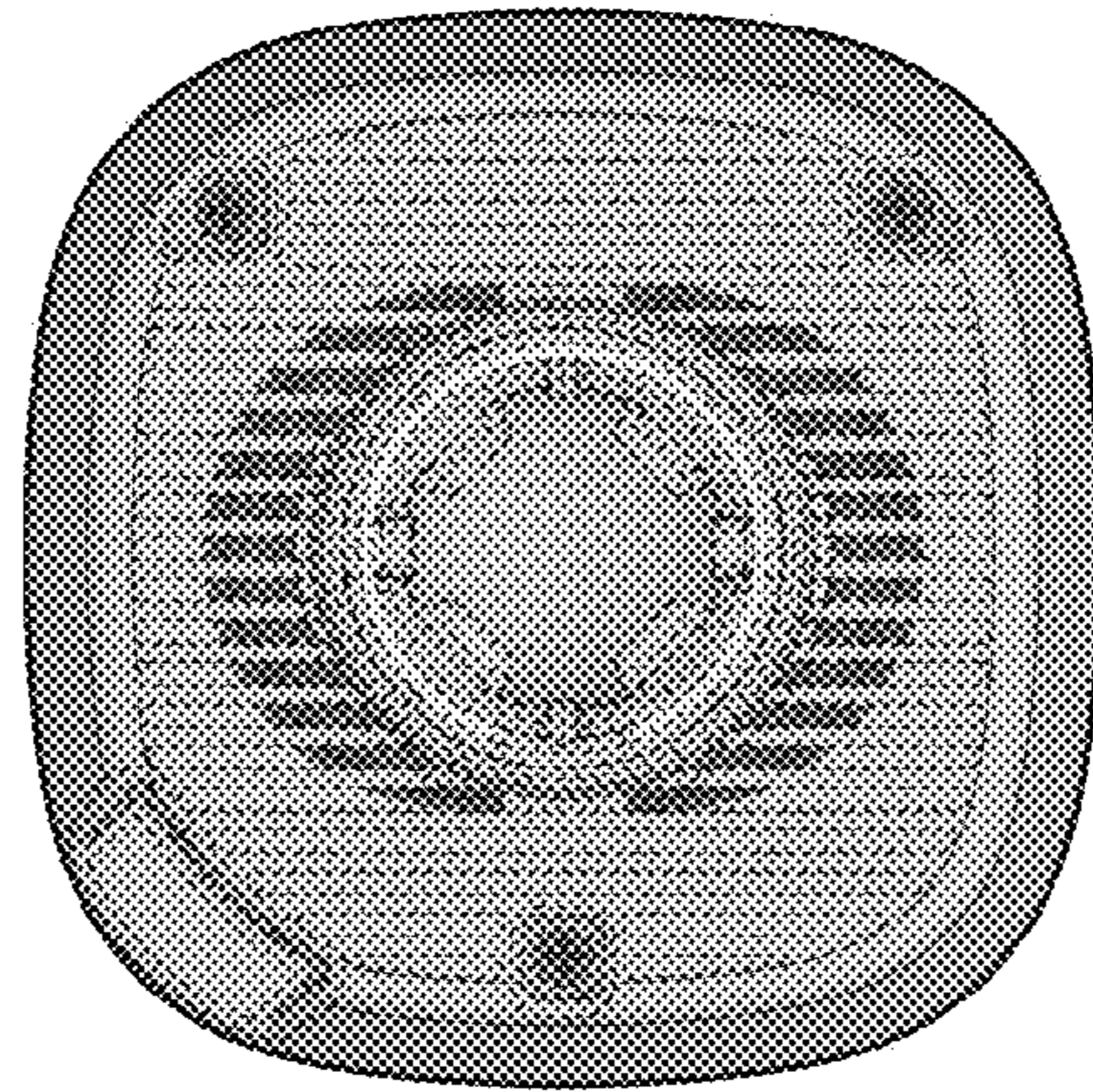


Fig. 6

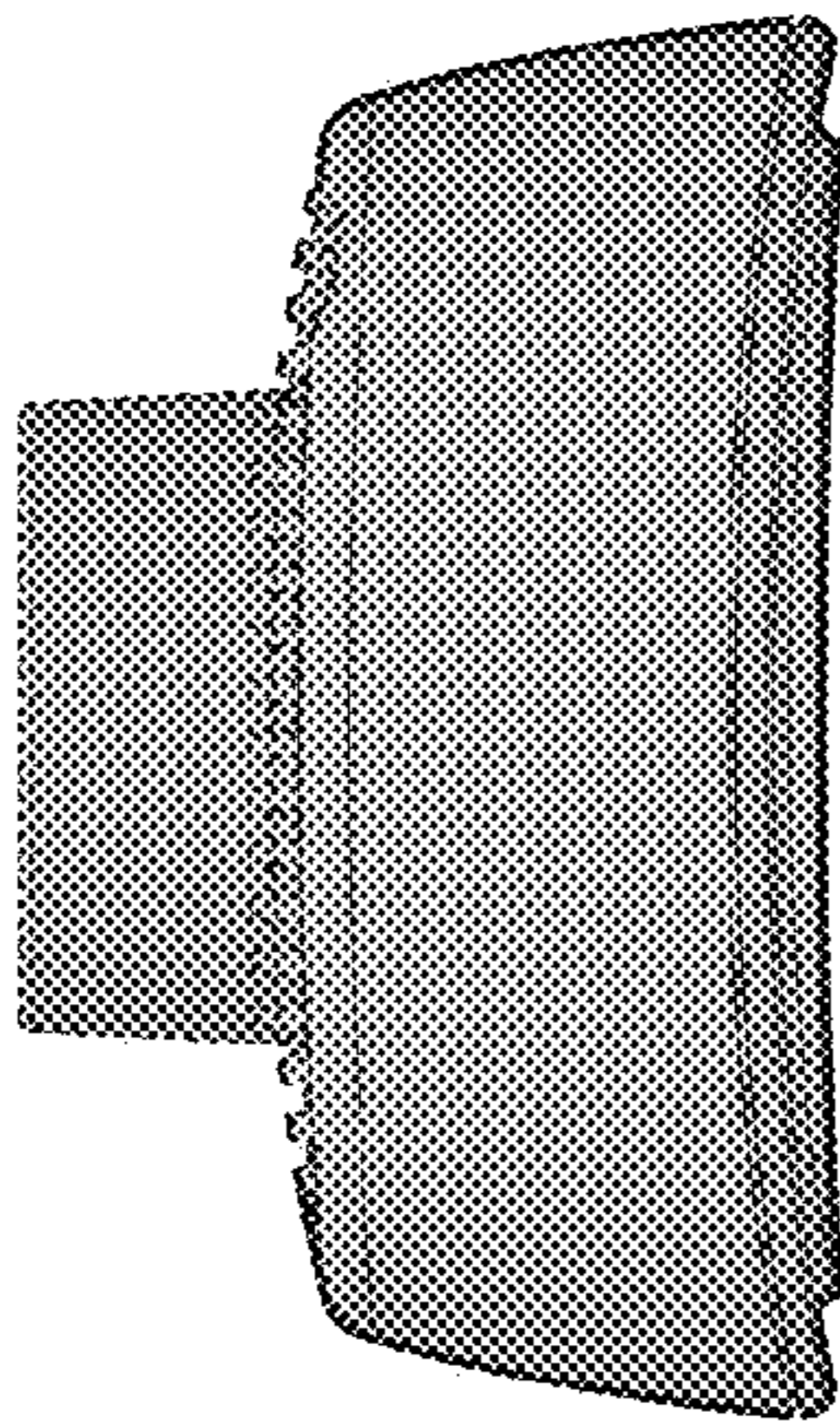


Fig. 7

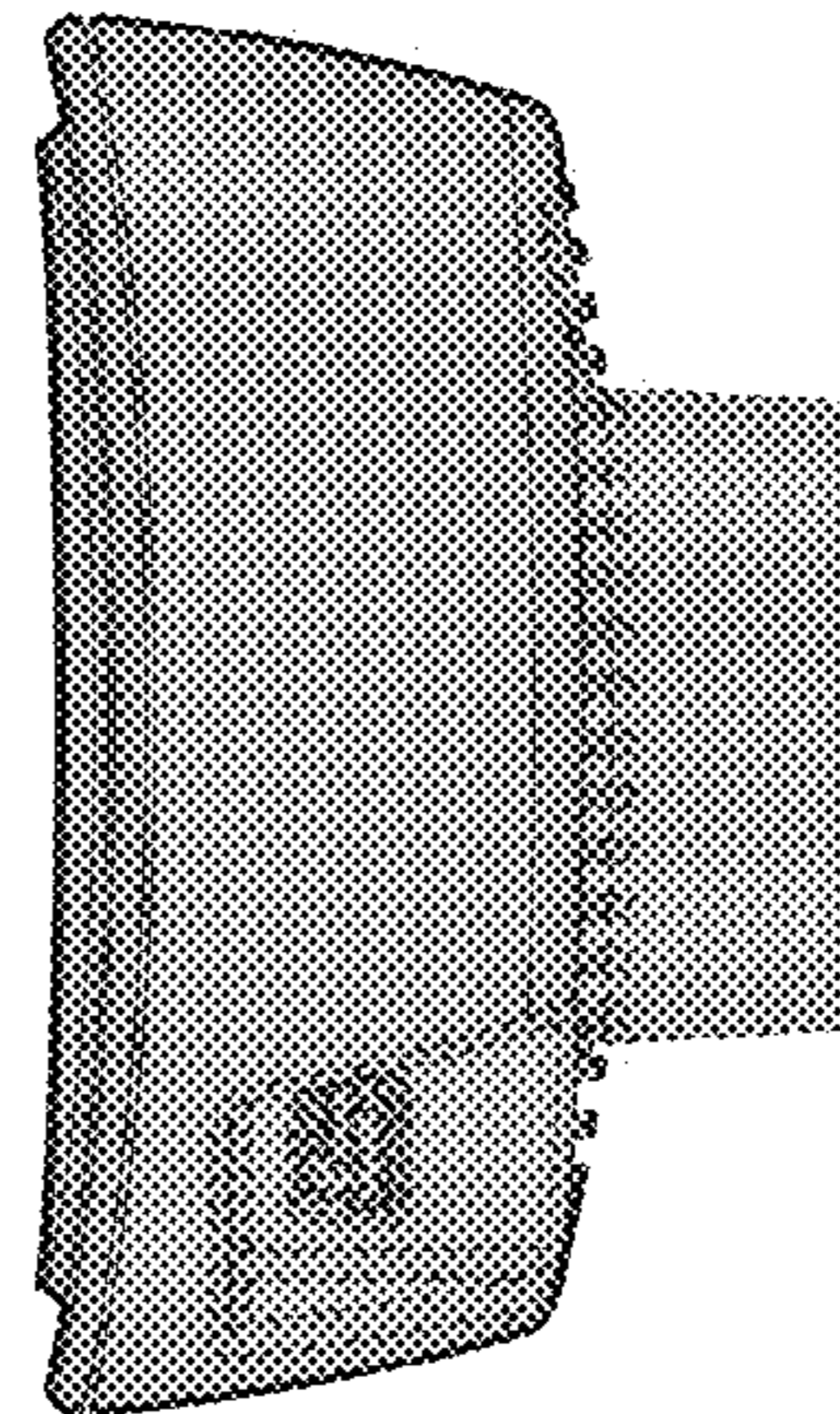


Fig. 8