



US00D705677S

(12) **United States Design Patent**  
**Cox, III**

(10) **Patent No.:** **US D705,677 S**

(45) **Date of Patent:** **\*\* May 27, 2014**

(54) **GPS COMMUNICATION DEVICE**

74/104; 200/5 R, 56 R, 61.45 R, 293,  
200/296, 329-345, 314, DIG. 9, 19, 32

(71) Applicant: **James L. Cox, III**, Austin, TX (US)

See application file for complete search history.

(72) Inventor: **James L. Cox, III**, Austin, TX (US)

(56) **References Cited**

(\*\*) Term: **14 Years**

U.S. PATENT DOCUMENTS

(21) Appl. No.: **29/435,303**

D528,933 S *	9/2006	Hunter et al.	.....	D10/78
D545,225 S *	6/2007	Azuma	.....	D10/70
D545,705 S *	7/2007	Voege	.....	D10/81
D624,446 S *	9/2010	Chen et al.	.....	D10/78
D624,838 S *	10/2010	Chen et al.	.....	D10/78
D684,490 S *	6/2013	Nelson et al.	.....	D10/81

(22) Filed: **Oct. 23, 2012**

(51) **LOC (10) Cl.** ..... **10-04**

(52) **U.S. Cl.**

USPC ..... **D10/65; D10/74**

OTHER PUBLICATIONS

(58) **Field of Classification Search**

USPC ..... D10/65, 70, 75, 78; D14/138 R, 138 AA,  
D14/138 AB, 138 AC, 138 AD, 341-347,  
D14/507-510, 136, 167, 168, 496, 498, 499,  
D14/500, 125-134, 239, 371, 374-377, 440,  
D14/450, 448, 336, 342, 388, 389, 511, 188,  
D14/191, 192, 203.3; 343/702; 345/87, 104,  
345/133, 156, 168, 173, 901-905, 165;  
348/180, 184, 315, 739, 836, 838, 325;  
364/444, 499; 701/408-418, 431, 432,  
701/537; 312/7.2; 341/12; 720/605, 669,  
720/600, 655; 369/99, 197; 455/344, 347,  
455/575.1; 250/221, 338.3, 340, 239, 342,  
250/341, DIG. 1, 353; 307/116, 117;  
340/521, 527, 541, 567, 540, 568.2,  
340/539.23, 635, 687; 315/159; 324/72.5,  
324/556, 133, 149, 503, 543, 555, 66, 72,  
324/754, 115, 141, 522; 73/615, 624, 627,  
73/644, 514.33, 514.34, 510, 513, 527,  
73/530; 356/3.01-5.15; 235/105; 377/5,  
377/24.2, 26; 702/155, 160, 176, 78, 79,  
702/82, 91-95, 104, 116, 141, 150, 151,  
702/154, 127, 131, 182, 183, 189; 600/437,  
600/443, 453, 459, 465, 479, 500, 502, 595,  
600/485, 481, 483; D13/162, 162.1;

Cox, James; "Satellite Messenger Phone Case;" Design U.S. Appl. No. 29/427,570, filed Jul. 19, 2012; Arlington, VA; US.

\* cited by examiner

*Primary Examiner* — Antoine D Davis  
(74) *Attorney, Agent, or Firm* — Bingham McCutchen LLP

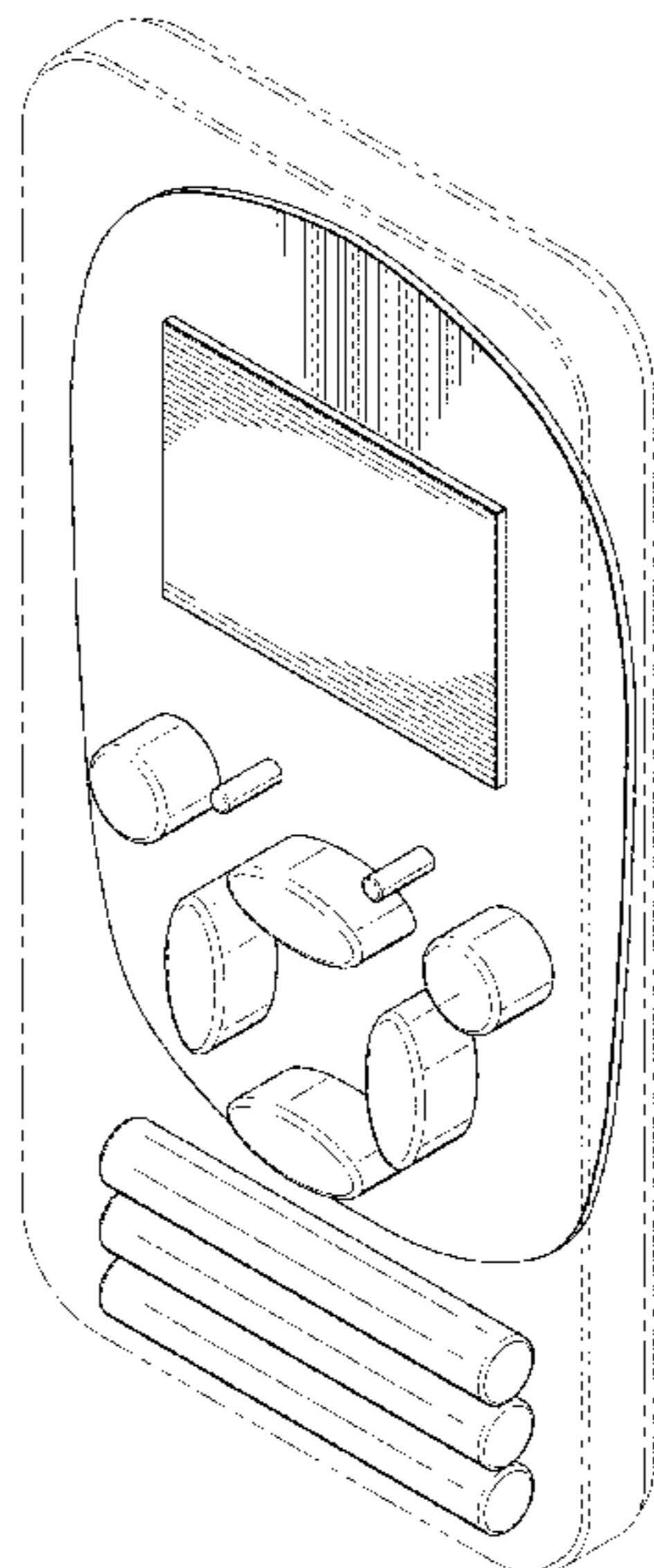
(57) **CLAIM**

The ornamental design for a GPS communication device, substantially as shown and described.

**DESCRIPTION**

FIG. 1 is a perspective view of a GPS communication device in accordance with the present design.  
FIG. 2 is a front view of the GPS communication device.  
FIG. 3 is a back view of the GPS communication device.  
FIG. 4 is a left side view of the GPS communication device.  
FIG. 5 is a right side view of the GPS communication device.  
FIG. 6 is a top view of the GPS communication device.  
FIG. 7 is a bottom view of the GPS communication device; and,  
FIG. 8 is a front perspective view of the GPS communication device shown in a case.

**1 Claim, 6 Drawing Sheets**



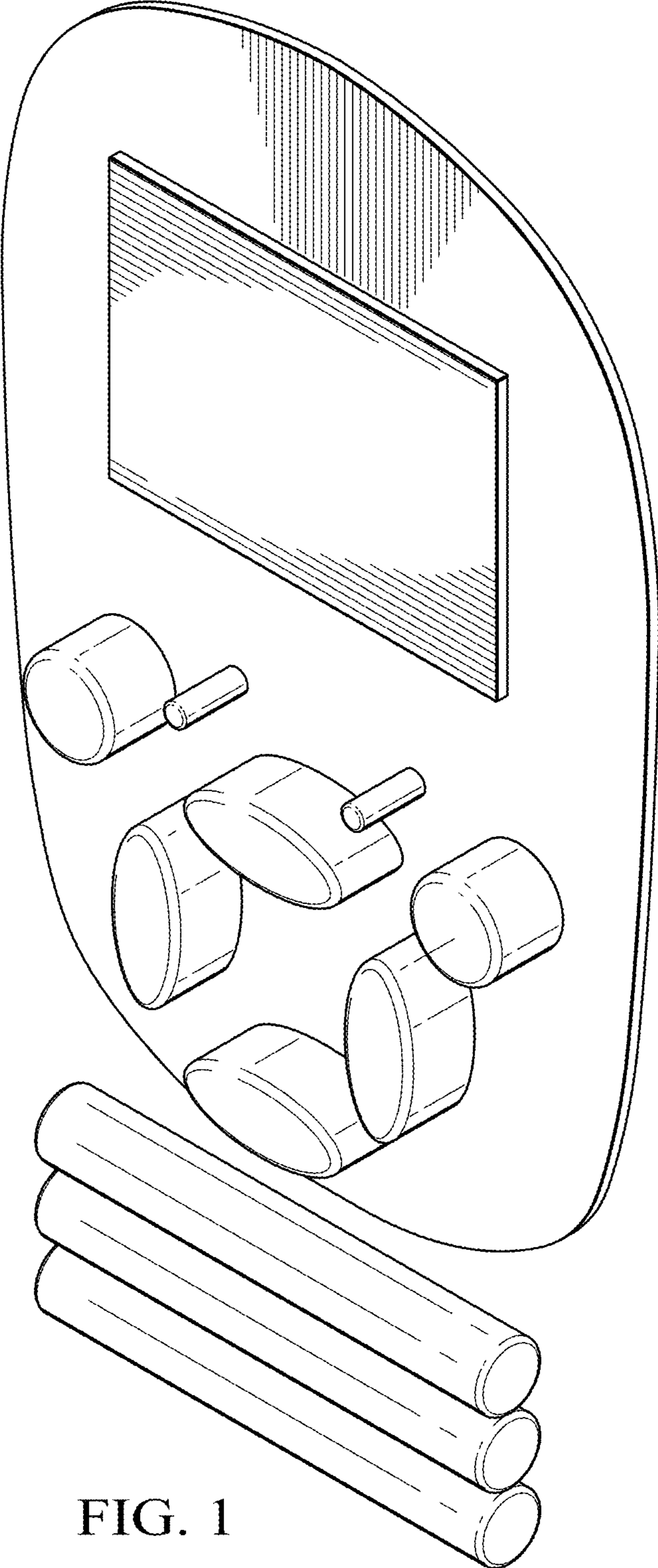


FIG. 1



FIG. 2

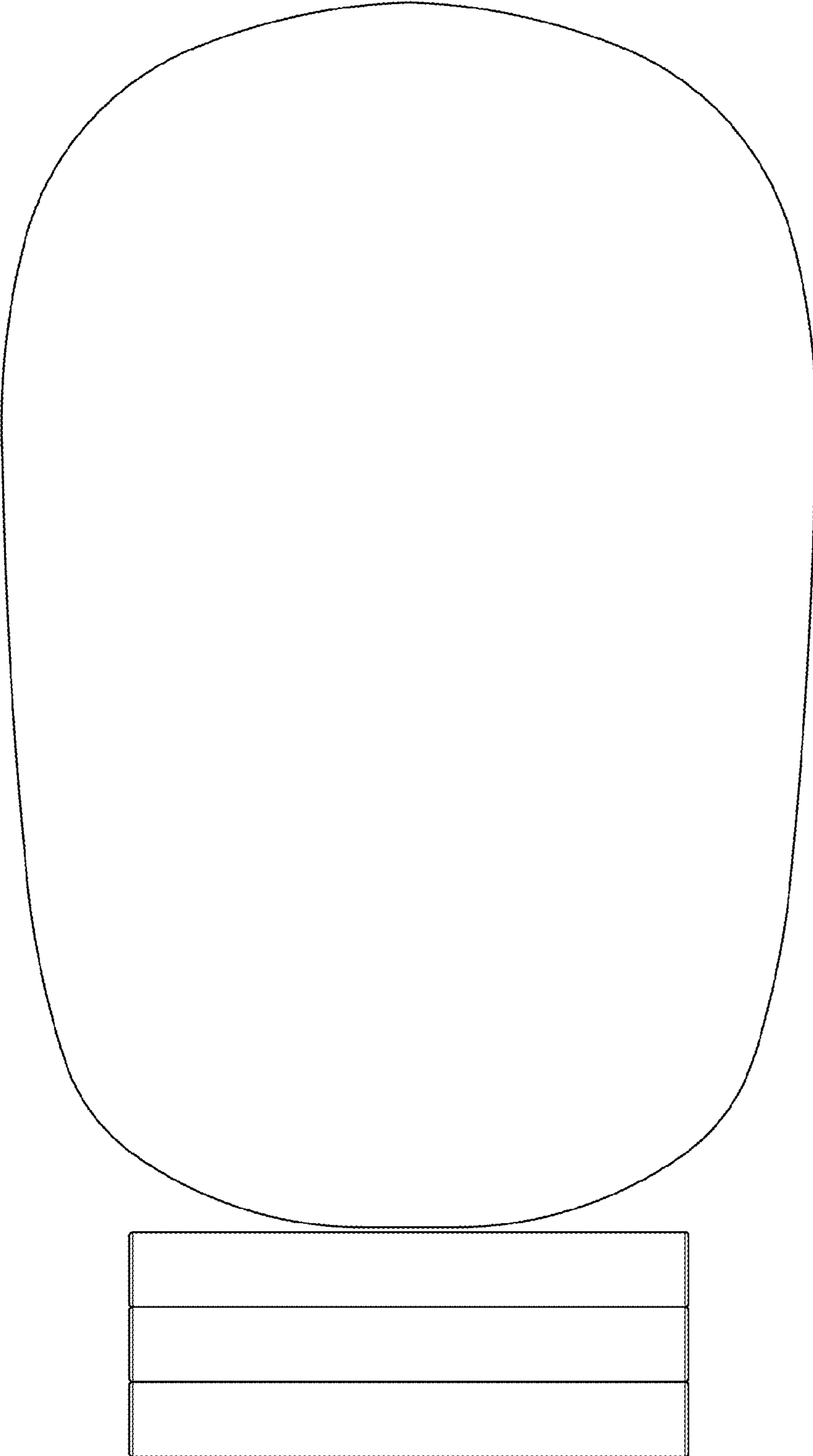


FIG. 3

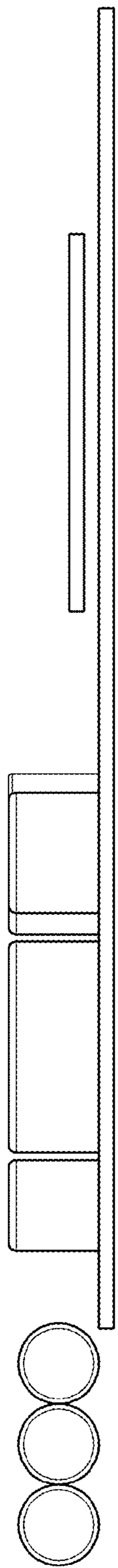


FIG. 4

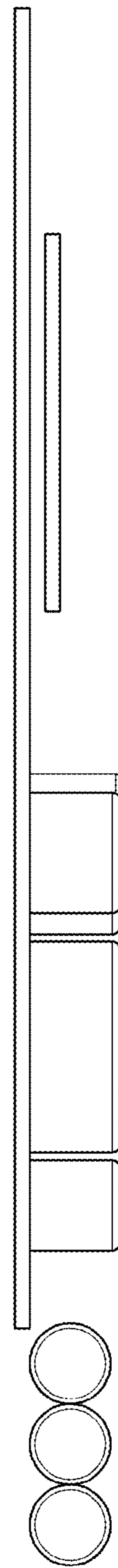


FIG. 5

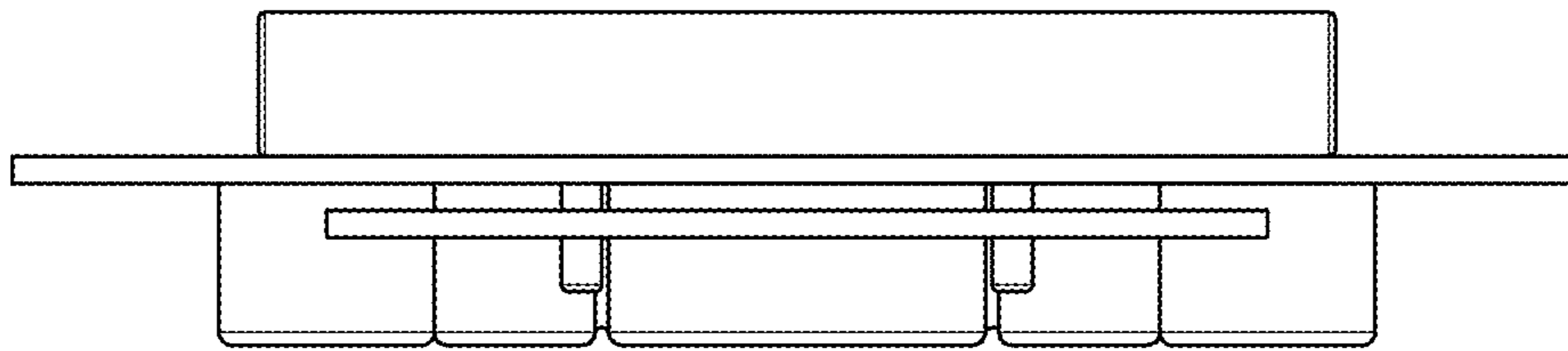


FIG. 6

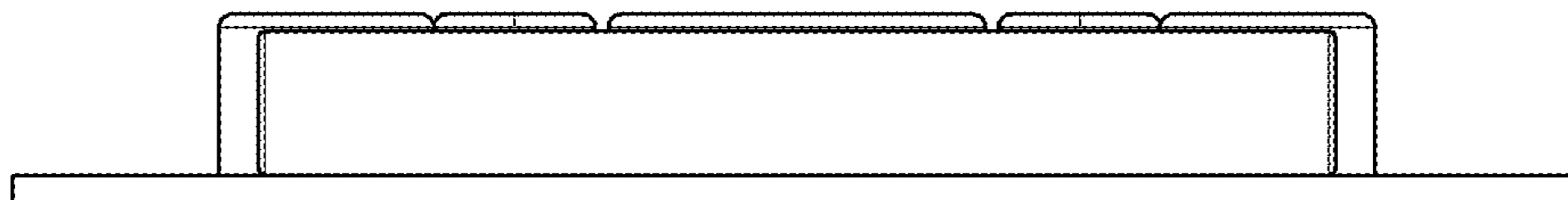


FIG. 7



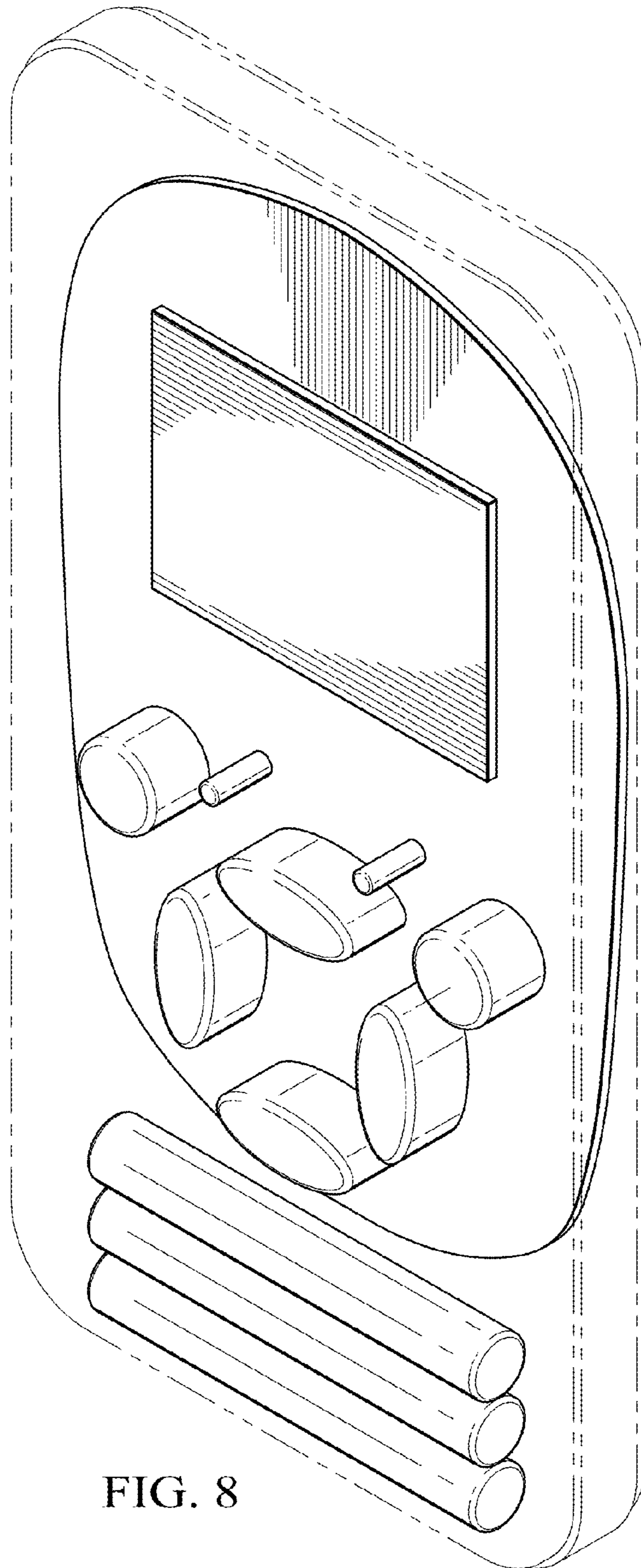


FIG. 8