



US00D705675S

(12) **United States Design Patent**
Abdourahim

(10) **Patent No.:** **US D705,675 S**

(45) **Date of Patent:** **** May 27, 2014**

(54) **WATCH**

(71) Applicant: **Harry Winston SA**, Plan-les-Ouates
(CH)

(72) Inventor: **Delphine Abdourahim**, Geneva (CH)

(73) Assignee: **Harry Winston SA**, Plan-les-Ouates
(CH)

(**) Term: **14 Years**

(21) Appl. No.: **29/470,496**

(22) Filed: **Oct. 22, 2013**

(30) **Foreign Application Priority Data**

Apr. 23, 2013 (WO) DM/080787

(51) **LOC (10) Cl.** **10-02**

(52) **U.S. Cl.**
USPC **D10/39**

(58) **Field of Classification Search**
USPC D10/30-39, 122-132; 368/276, 281,
368/282, 80, 223, 228, 232
See application file for complete search history.

(56) **References Cited**

U.S. PATENT DOCUMENTS

2,191,020	A *	2/1940	Kaufmann	224/177
D145,831	S *	10/1946	Arpels	D10/32
D266,058	S *	9/1982	Kanouï	D10/39
D289,503	S *	4/1987	Ludvig et al.	D10/39
D296,991	S *	8/1988	Lauper	D10/30
5,119,351	A *	6/1992	Gogniat	368/282
D339,532	S *	9/1993	Frappe	D10/39
D339,534	S *	9/1993	Frappe	D10/39

D339,752	S *	9/1993	Frappe	D10/39
5,398,218	A *	3/1995	Munnier et al.	368/282
D358,776	S *	5/1995	Pandel	D10/30
D386,979	S *	12/1997	Kubisch	D10/32
D386,984	S *	12/1997	Kubisch	D10/39
D390,148	S *	2/1998	Brzezinski	D10/30
D397,945	S *	9/1998	Gruosi	D10/39
D464,275	S *	10/2002	Bulgari	D10/39
6,842,404	B2 *	1/2005	Haselberger	368/223
D615,882	S *	5/2010	Laucella	D10/39
D629,324	S *	12/2010	Lattmann	D10/125
D647,808	S *	11/2011	Giroud	D10/38

OTHER PUBLICATIONS

Wristwatches, A Connoisseur's Guide, Frank Edwards, Firefly Books Inc., copyright 1997, p. 56, Chopard "Imperiale" watch.*
Wristwatches, A Connoisseur's Guide, Frank Edwards, Firefly Books Inc., copyright 1997, p. 150, Vacheron Constantin "Kalla Amalfi" watch.*

* cited by examiner

Primary Examiner — Lucy Lieberman

(74) *Attorney, Agent, or Firm* — Donald J. Ranft; Collen IP

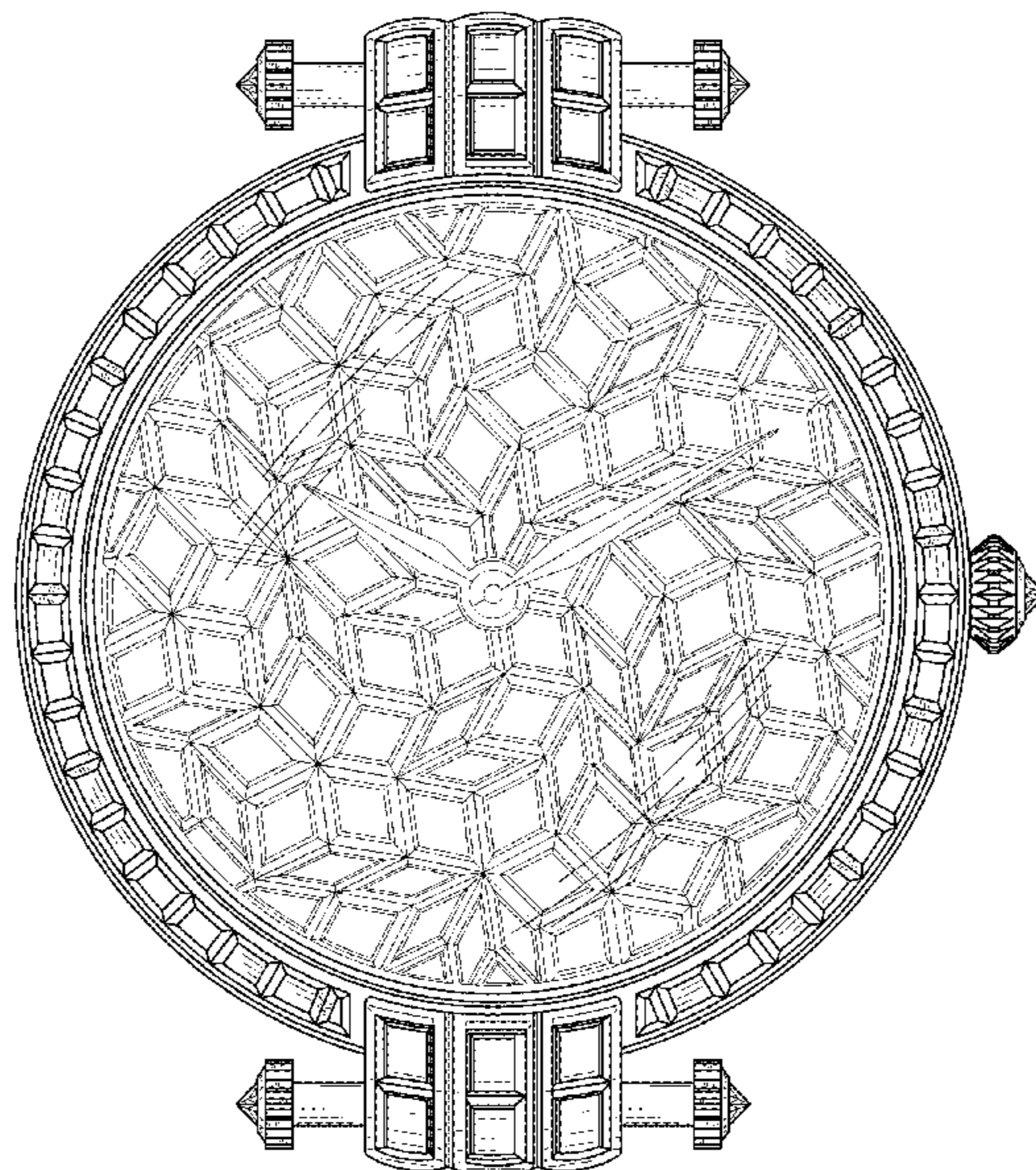
(57) **CLAIM**

The ornamental design for a watch, as shown.

DESCRIPTION

FIG. 1 is a front right perspective view thereof;
FIG. 2 is a front view thereof;
FIG. 3 is a rear view thereof;
FIG. 4 is a left side view thereof;
FIG. 5 is a right side view thereof;
FIG. 6 is a top view thereof;
FIG. 7 is a bottom view thereof; and,
FIG. 8 is a rear right perspective view thereof.

1 Claim, 6 Drawing Sheets



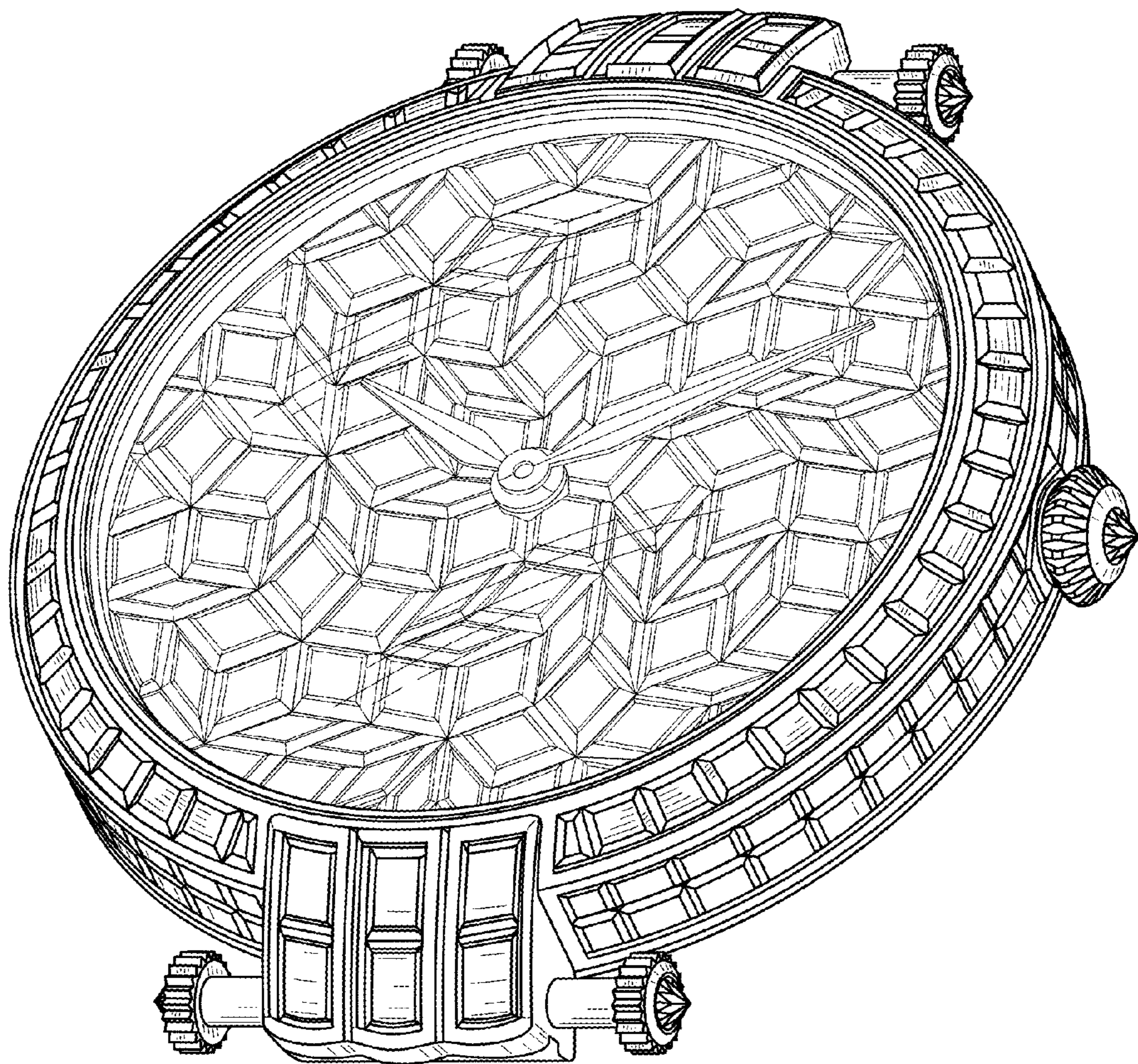


FIG. 1

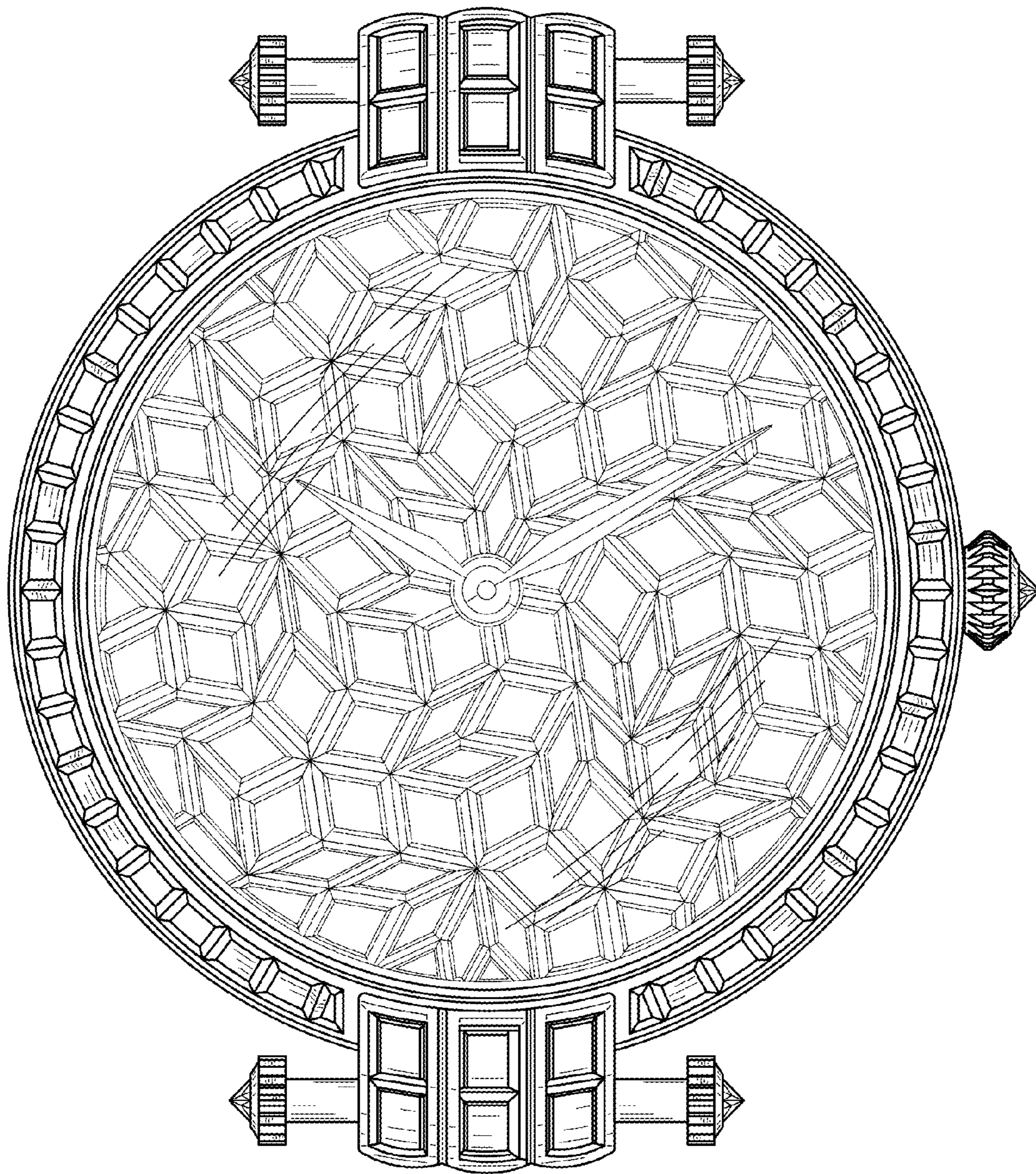


FIG. 2

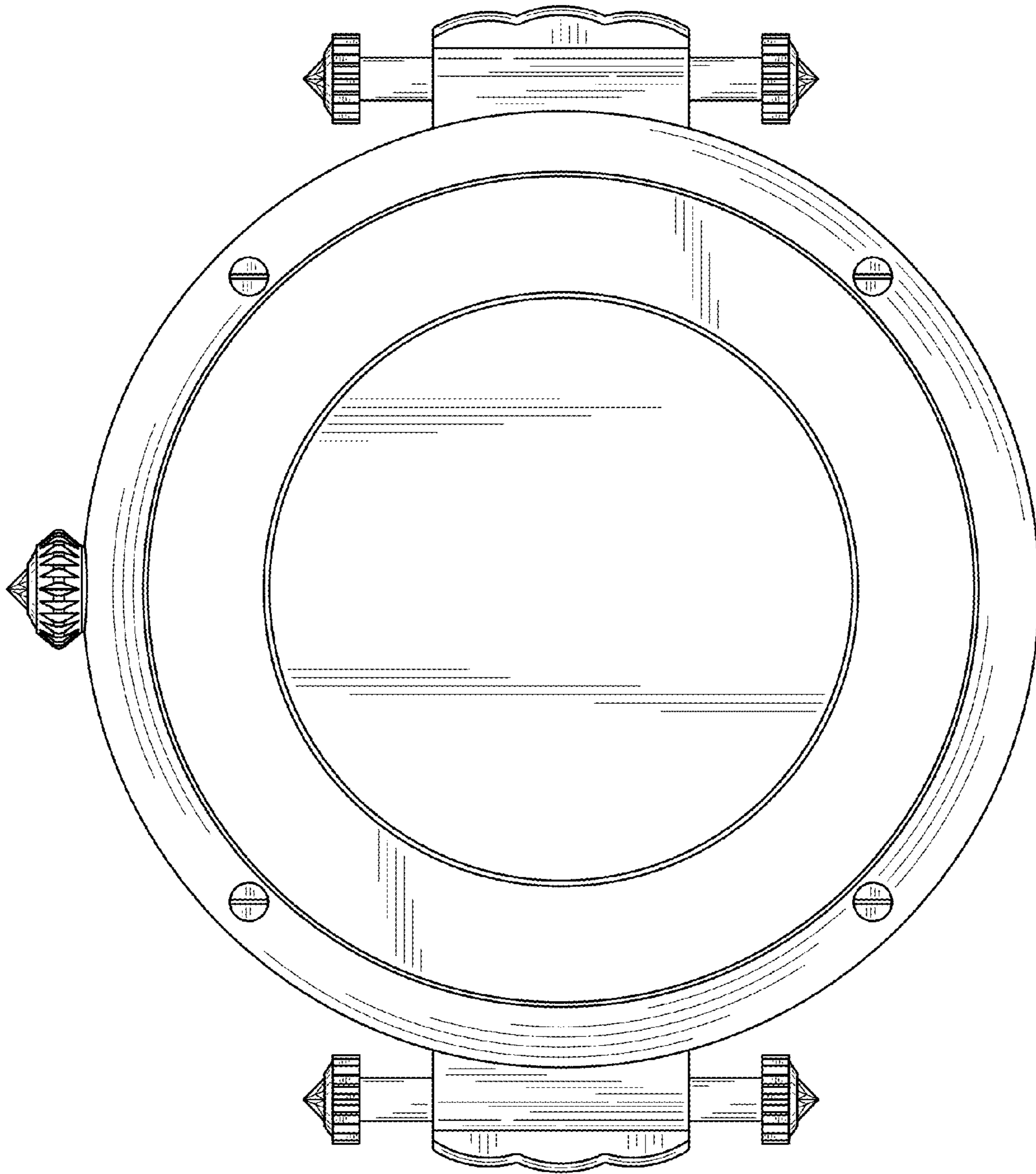


FIG. 3

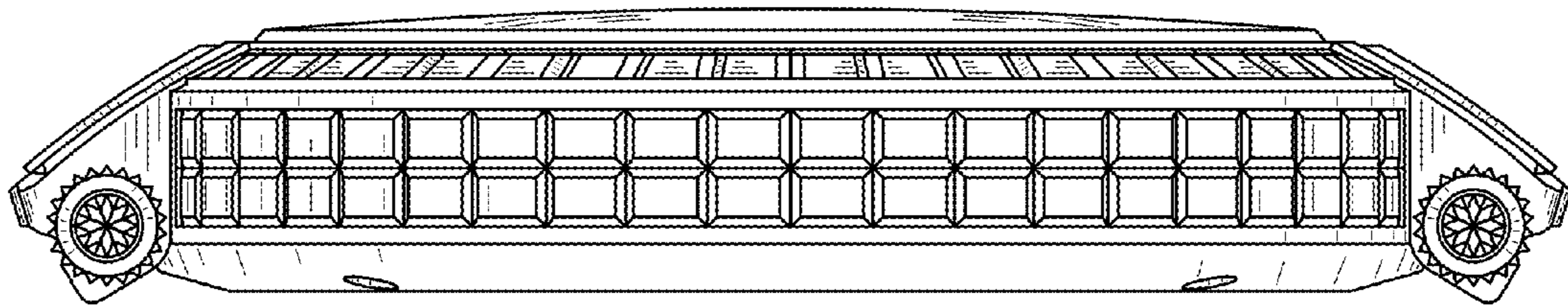


FIG. 4

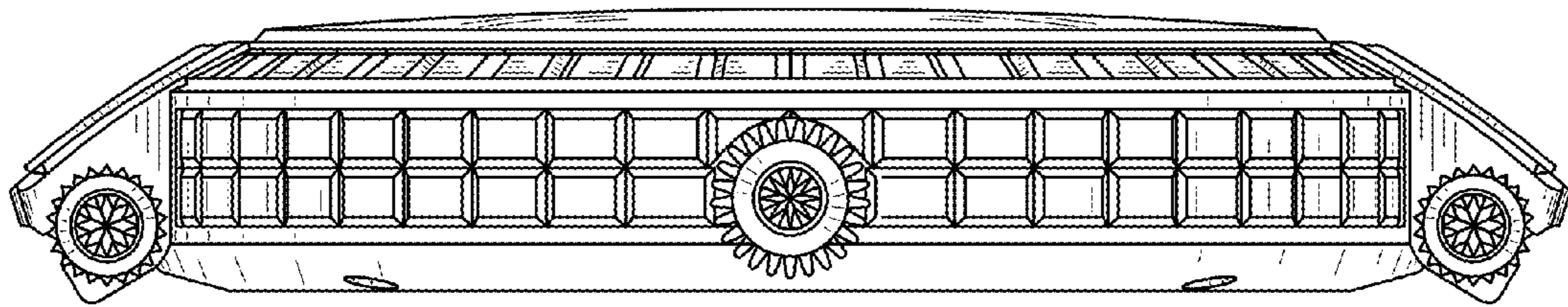


FIG. 5

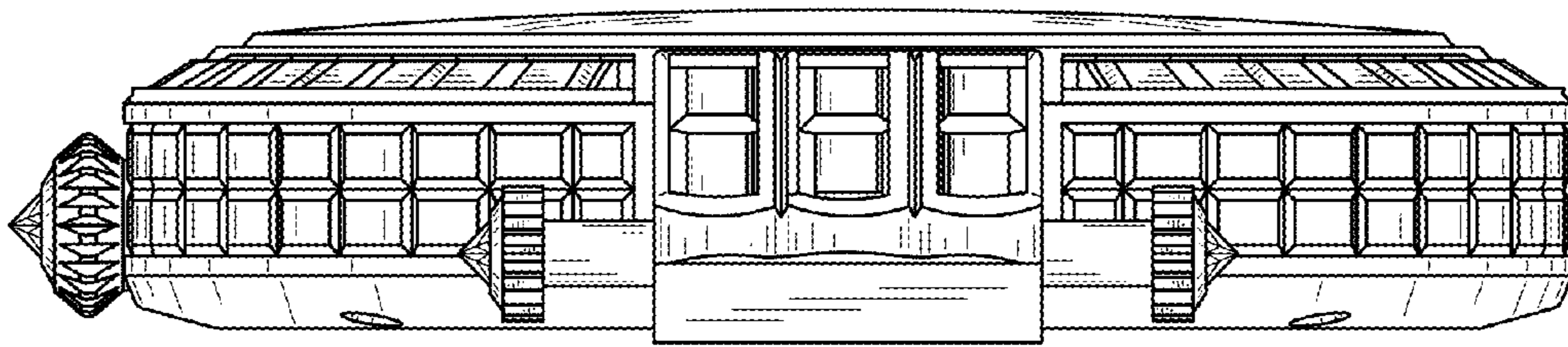


FIG. 6



FIG. 7

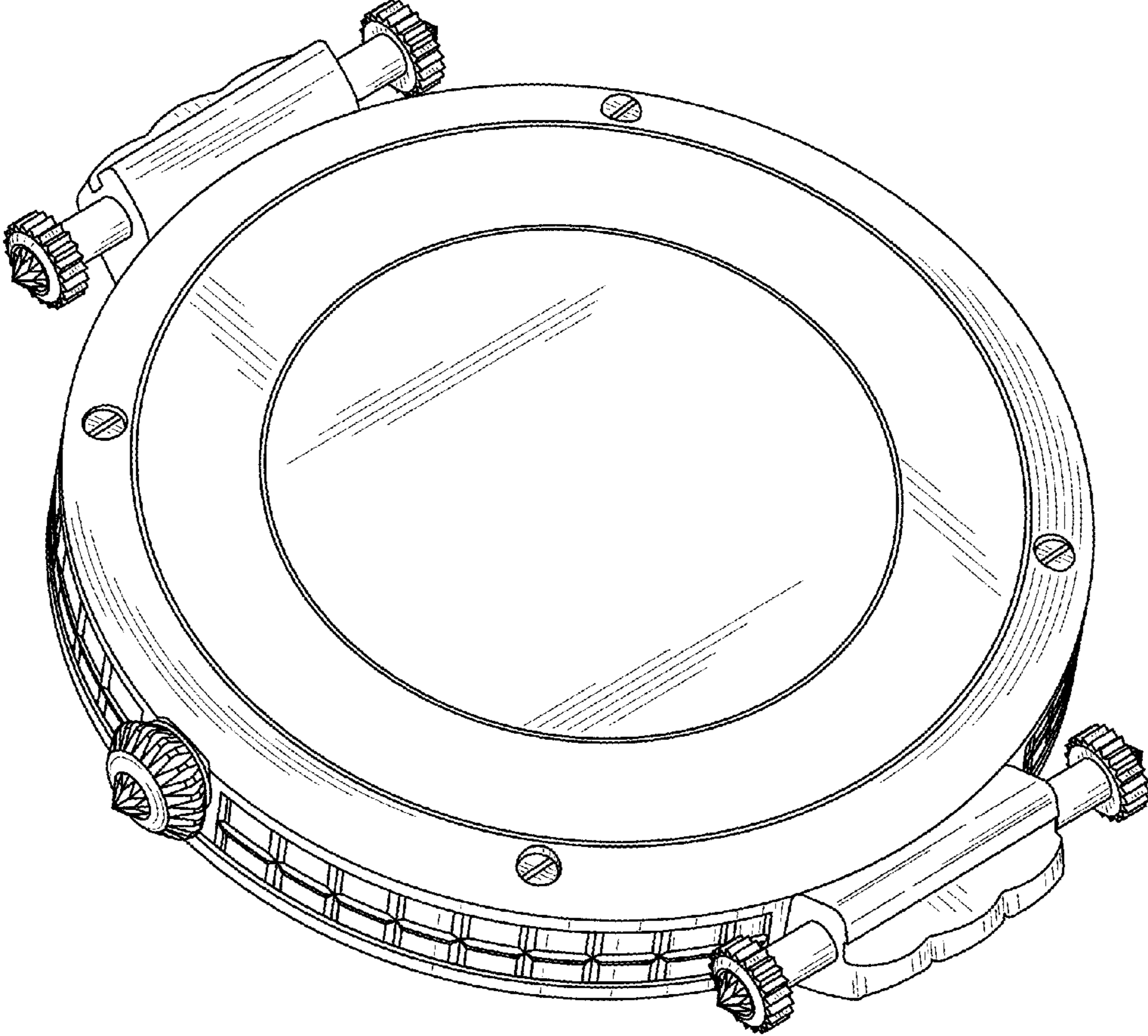


FIG. 8