



US00D705674S

(12) **United States Design Patent**  
**Lasserre**

(10) **Patent No.:** **US D705,674 S**

(45) **Date of Patent:** **\*\* May 27, 2014**

(54) **WATCH**

(71) Applicant: **Harry Winston SA**, Plan-les-Ouates  
(CH)

(72) Inventor: **Christophe Lasserre**, Vandoeuvres (CH)

(73) Assignee: **Harry Winston SA**, Plan-les Ouates  
(CH)

(\*\*) Term: **14 Years**

(21) Appl. No.: **29/470,482**

(22) Filed: **Oct. 22, 2013**

(51) **LOC (10) Cl.** ..... **10-02**

(52) **U.S. Cl.**  
USPC ..... **D10/39**

(58) **Field of Classification Search**  
USPC ..... D10/30-39, 122-132; 368/276, 281,  
368/282, 80, 223, 228, 232, 239-242,  
368/82-84, 224, 225, 229, 233, 221, 220,  
368/150, 169

See application file for complete search history.

(56) **References Cited**

**U.S. PATENT DOCUMENTS**

2,639,577	A *	5/1953	Lubin	368/81
D170,179	S *	8/1953	Wylar	D10/39
2,968,143	A *	1/1961	Meyer	368/220
D218,342	S *	8/1970	Rice	D10/124
D257,670	S *	12/1980	Lewis	D10/15
D345,319	S *	3/1994	Kaneko	D10/126
D345,321	S *	3/1994	Kaneko	D10/126
D410,199	S *	5/1999	Calvani	D10/39

6,200,019	B1 *	3/2001	Latini	368/289
D447,699	S *	9/2001	Ramos, Jr.	D10/30
6,409,379	B1 *	6/2002	Gabathuler et al.	368/150
D533,088	S *	12/2006	Bedat	D10/39
D555,519	S *	11/2007	Borraccino et al.	D10/39
D564,909	S *	3/2008	Kume	D10/38
D624,834	S *	10/2010	Modolo	D10/39
D630,960	S *	1/2011	Vogeli	D10/128
D635,045	S *	3/2011	Rodriguez	D10/128
7,896,542	B2 *	3/2011	Born et al.	368/148
D656,044	S *	3/2012	Favre	D10/38
D694,656	S *	12/2013	Inoue	D10/38

**OTHER PUBLICATIONS**

Wristwatch Annual, The Catalog of Producers, Prices, Models and Specifications, 2008, Abbeville Press Publishers, p. 340, Perrelet Double Rotor watch with a second rotor located in center of dial.\*

\* cited by examiner

*Primary Examiner* — Lucy Lieberman

(74) *Attorney, Agent, or Firm* — Donald J. Ranft; Collen IP

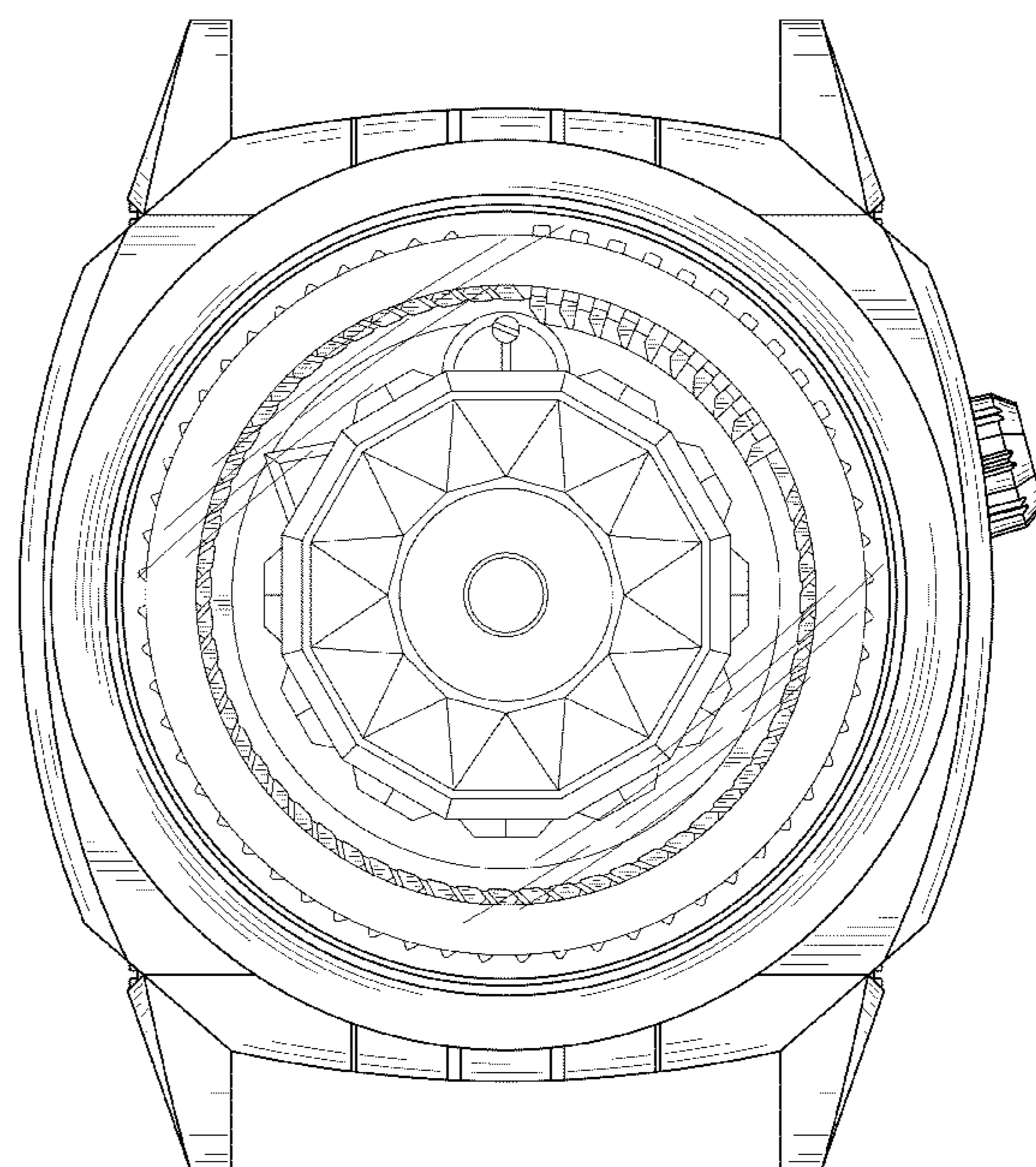
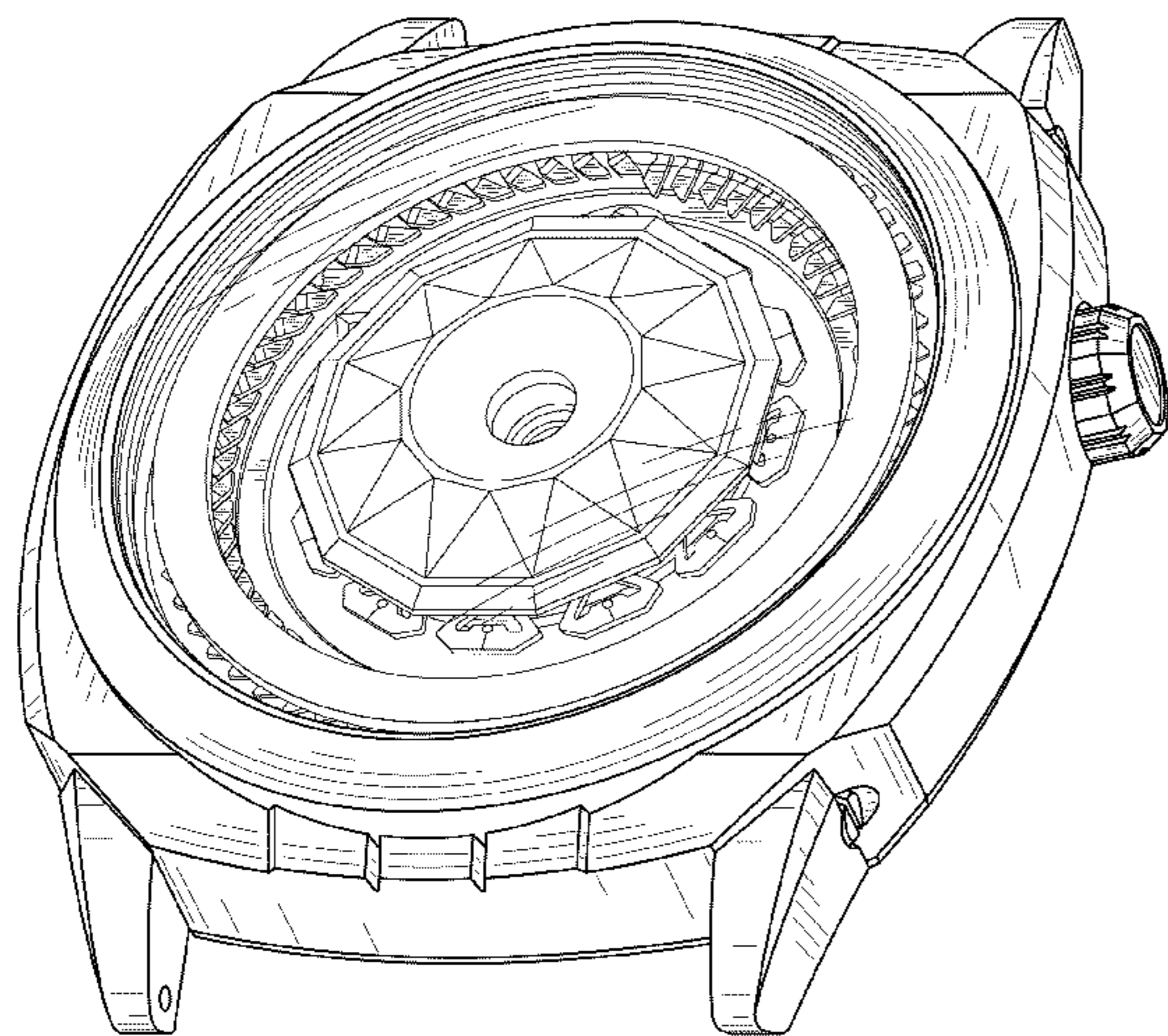
(57) **CLAIM**

The ornamental design for a watch, as shown.

**DESCRIPTION**

FIG. 1 is a front right perspective view thereof;  
FIG. 2 is a front view thereof;  
FIG. 3 is a rear view thereof;  
FIG. 4 is a left side view thereof;  
FIG. 5 is a right side view thereof;  
FIG. 6 is a top view;  
FIG. 7 is a bottom view thereof; and,  
FIG. 8 is a rear left perspective view.

**1 Claim, 6 Drawing Sheets**



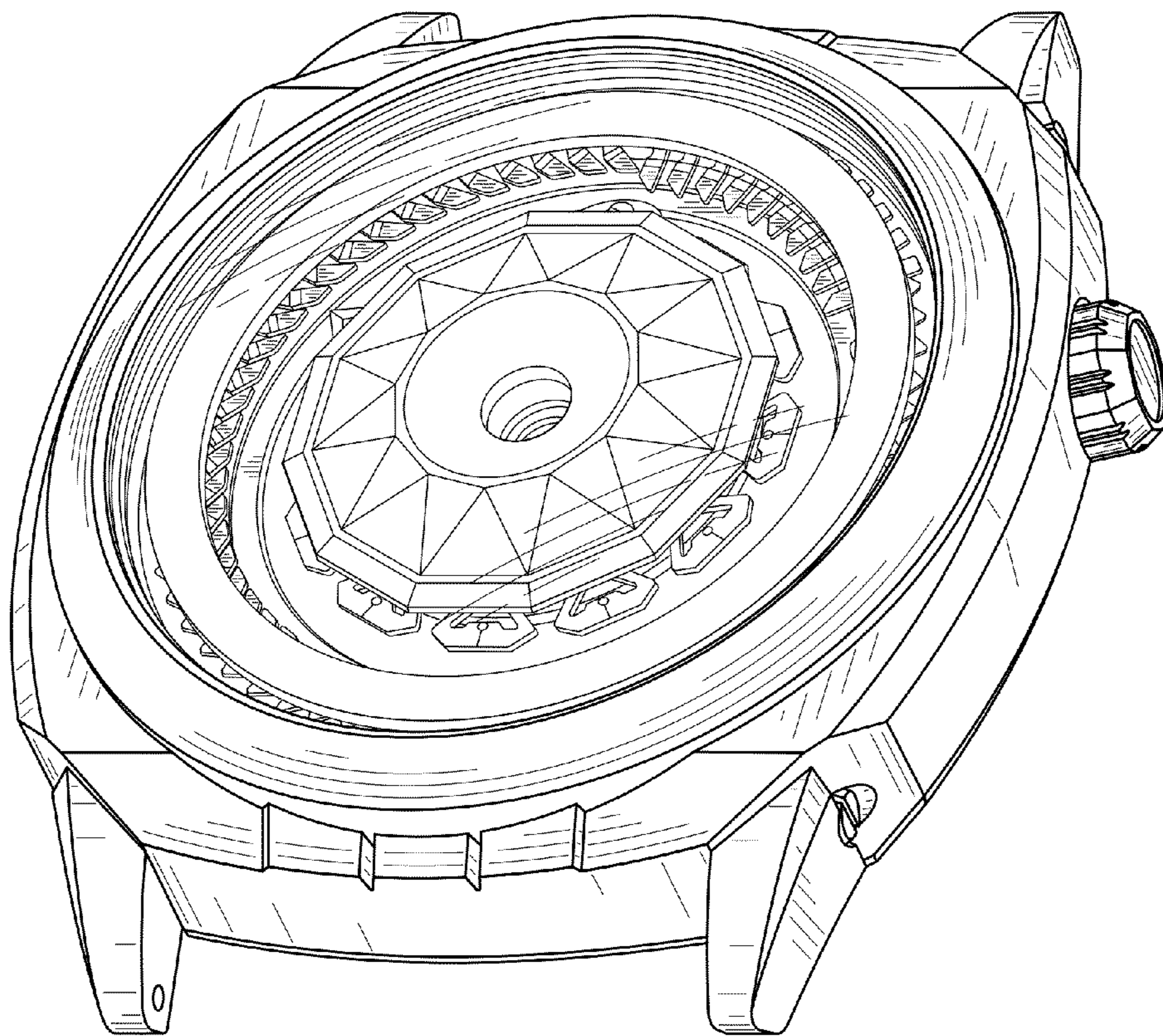


FIG. 1



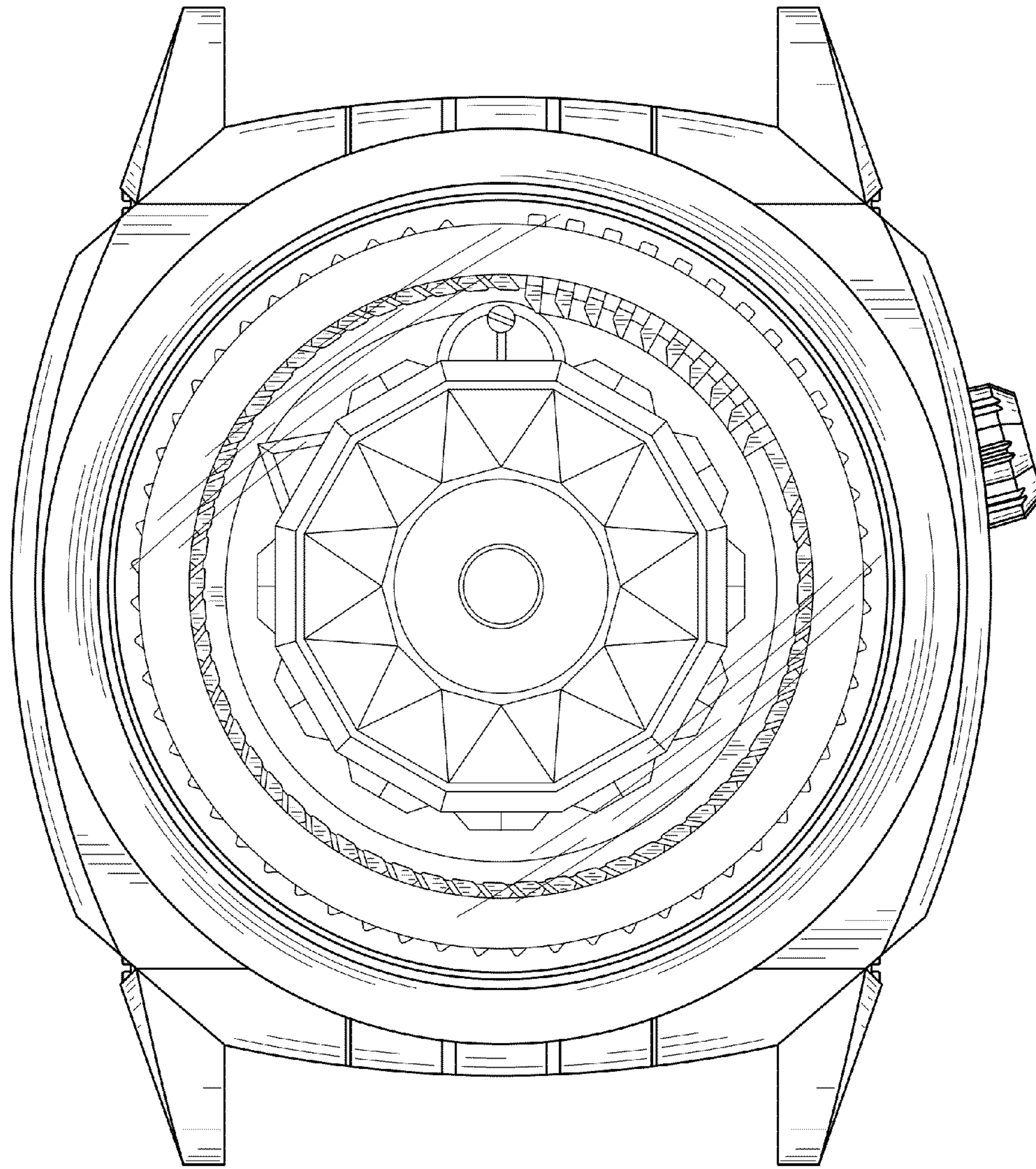


FIG. 2

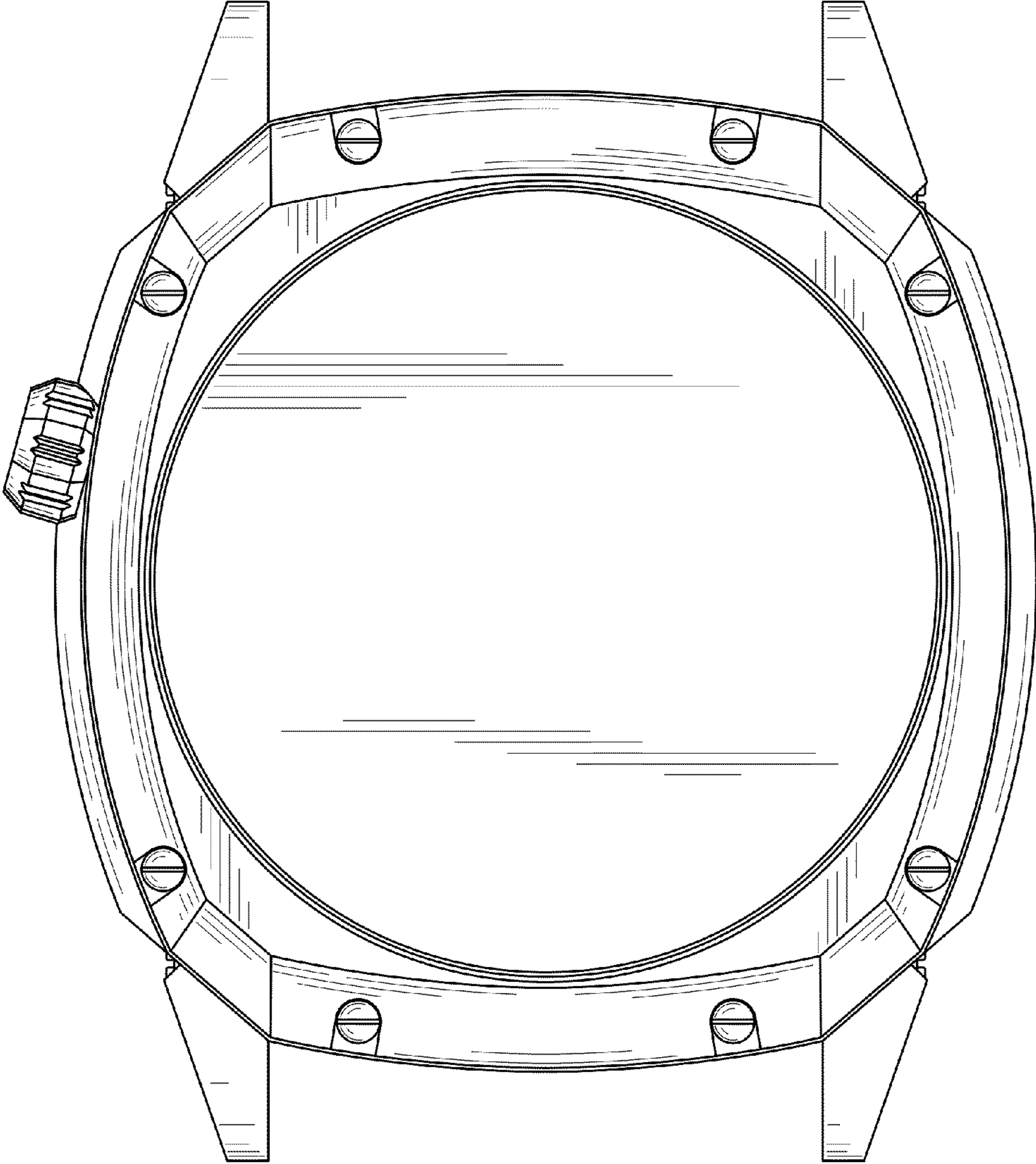


FIG. 3

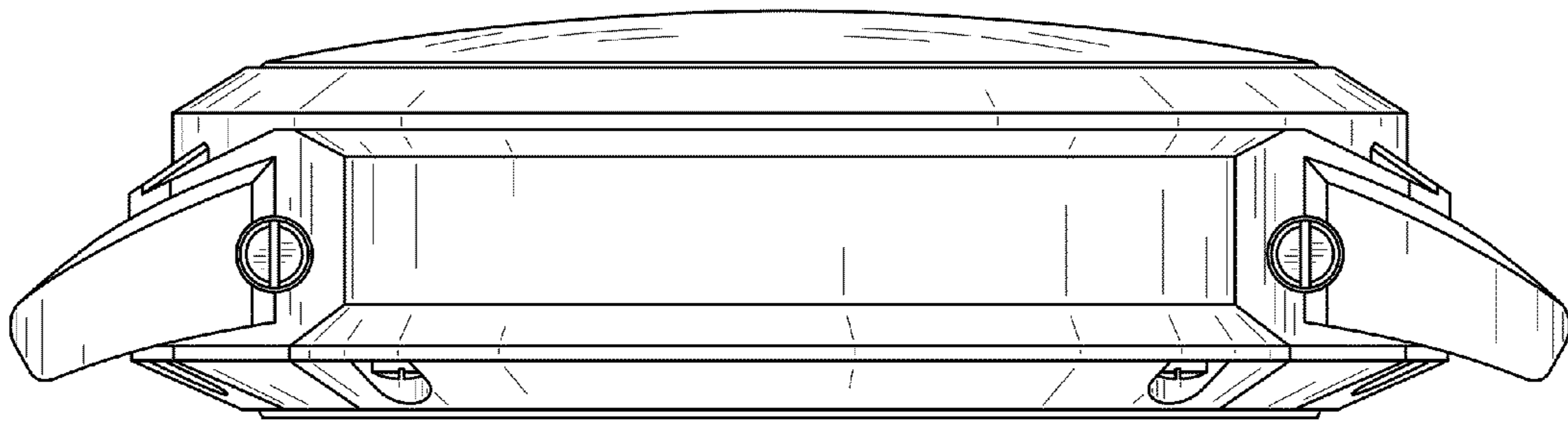


FIG. 4

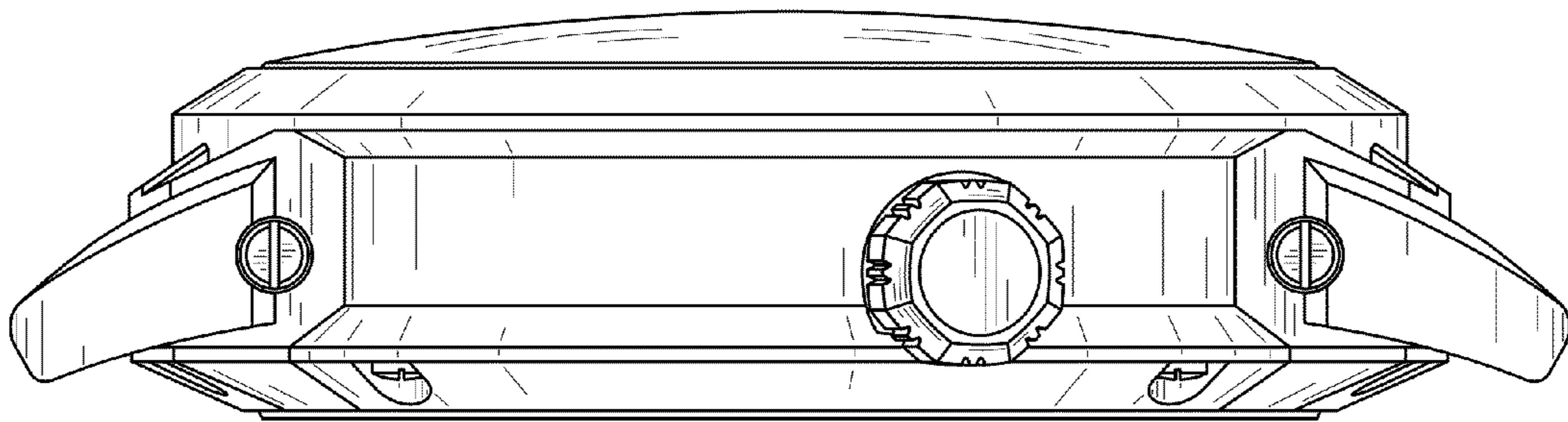


FIG. 5

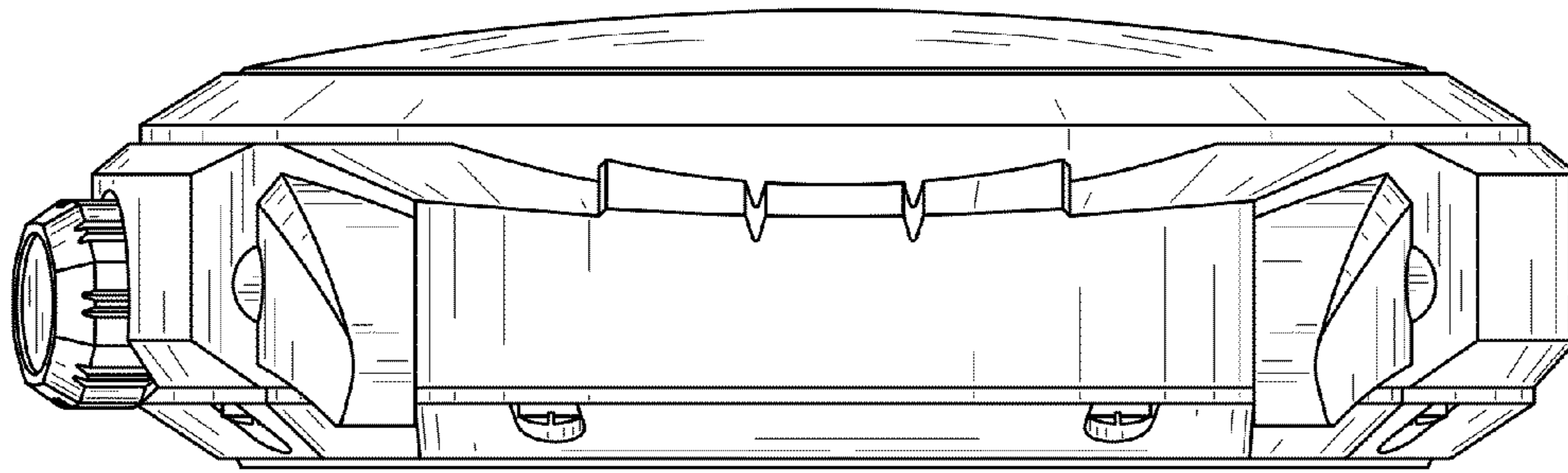


FIG. 6

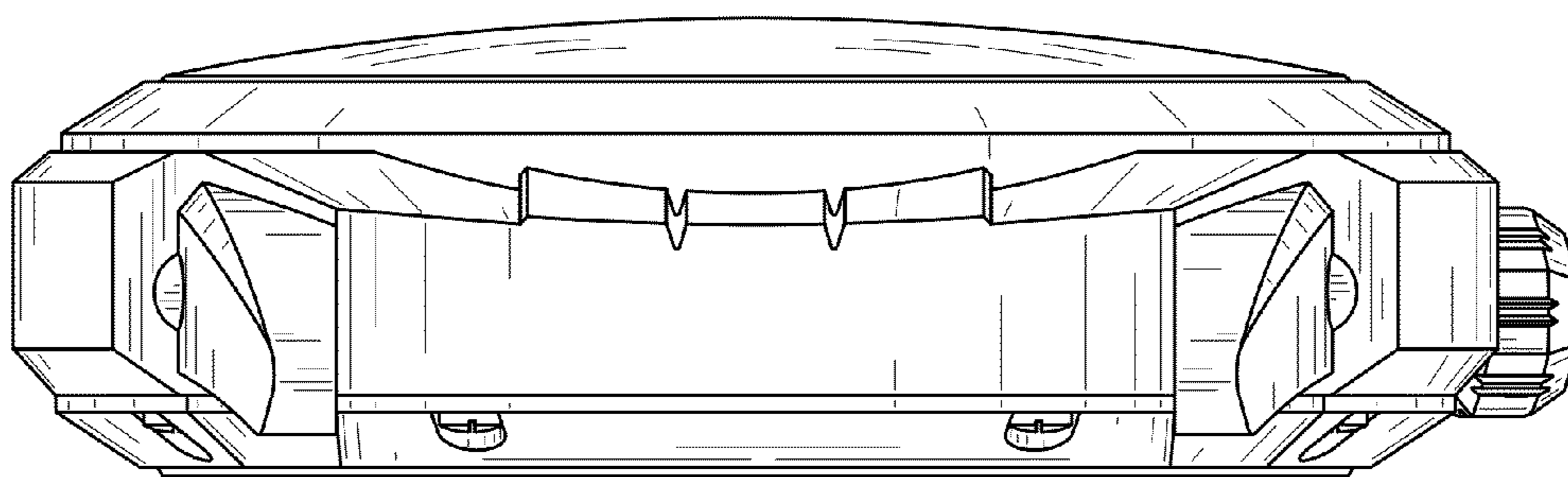


FIG. 7



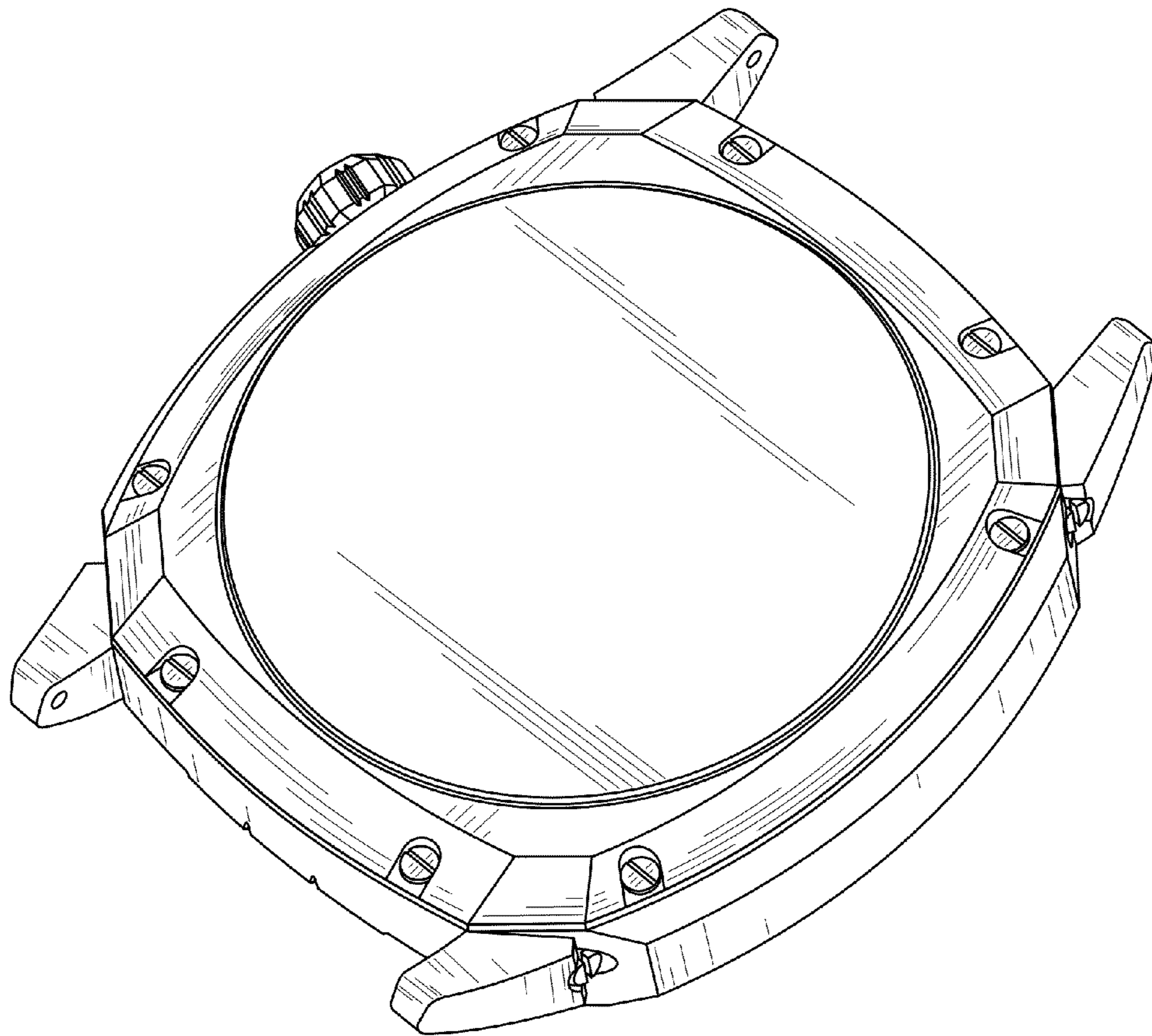


FIG. 8