



US00D705671S

(12) **United States Design Patent**
Mijatovic

(10) **Patent No.:** **US D705,671 S**

(45) **Date of Patent:** **** May 27, 2014**

(54) **WRISTWATCH**

(71) Applicant: **Sowind SA**, La Chaux-de-Fonds (CH)

(72) Inventor: **Miodrag-Mijat Mijatovic**, Preverenges (CH)

(73) Assignee: **Sowind SA**, La Chaux-de-Fonds (CH)

(**) Term: **14 Years**

(21) Appl. No.: **29/468,133**

(22) Filed: **Sep. 26, 2013**

(30) **Foreign Application Priority Data**

Mar. 27, 2013 (CH) 139676

(51) **LOC (10) Cl.** **10-02**

(52) **U.S. Cl.**
USPC **D10/32**

(58) **Field of Classification Search**
USPC D10/30-39, 122-132; 368/276, 281,
368/282, 80, 223, 228, 232, 294, 295;
D11/3
See application file for complete search history.

(56) **References Cited**

U.S. PATENT DOCUMENTS

2,361,563 A * 10/1944 Pellaton 368/80
D202,061 S * 8/1965 Montese-Carusio D10/38
6,200,019 B1 * 3/2001 Latini 368/289
D519,851 S * 5/2006 Seyr D10/31

D524,171 S * 7/2006 Monachon D10/32
D531,524 S * 11/2006 Behling D10/38
D536,994 S * 2/2007 Sugisawa et al. D10/31
D537,371 S * 2/2007 Belamich D10/39
D537,737 S * 3/2007 Galli D10/31
D551,095 S * 9/2007 Monachon D10/32
D555,516 S * 11/2007 Sugiura D10/31
D555,518 S * 11/2007 Borraccino et al. D10/39
D555,519 S * 11/2007 Borraccino et al. D10/39
D584,171 S * 1/2009 Monachon D10/32
D601,043 S * 9/2009 Belamich D10/39
D624,834 S * 10/2010 Modolo D10/39
D632,980 S * 2/2011 Yurman D10/38
D656,044 S * 3/2012 Favre D10/38
D656,417 S * 3/2012 Monachon D10/39
D668,162 S * 10/2012 Inoue D10/39

* cited by examiner

Primary Examiner — Lucy Lieberman

(74) *Attorney, Agent, or Firm* — Sughrue Mion, PLLC

(57) **CLAIM**

The ornamental design for a wristwatch, as shown and described.

DESCRIPTION

FIG. 1 is a front and side perspective view of a wristwatch showing my new design;
FIG. 2 is a front elevational view thereof;
FIG. 3 is a rear elevational view thereof;
FIG. 4 is a left side elevational view thereof;
FIG. 5 is a right side elevational view thereof;
FIG. 6 is a top plan view thereof; and,
FIG. 7 is a bottom plan view.

1 Claim, 7 Drawing Sheets





FIG. 1



FIG. 2

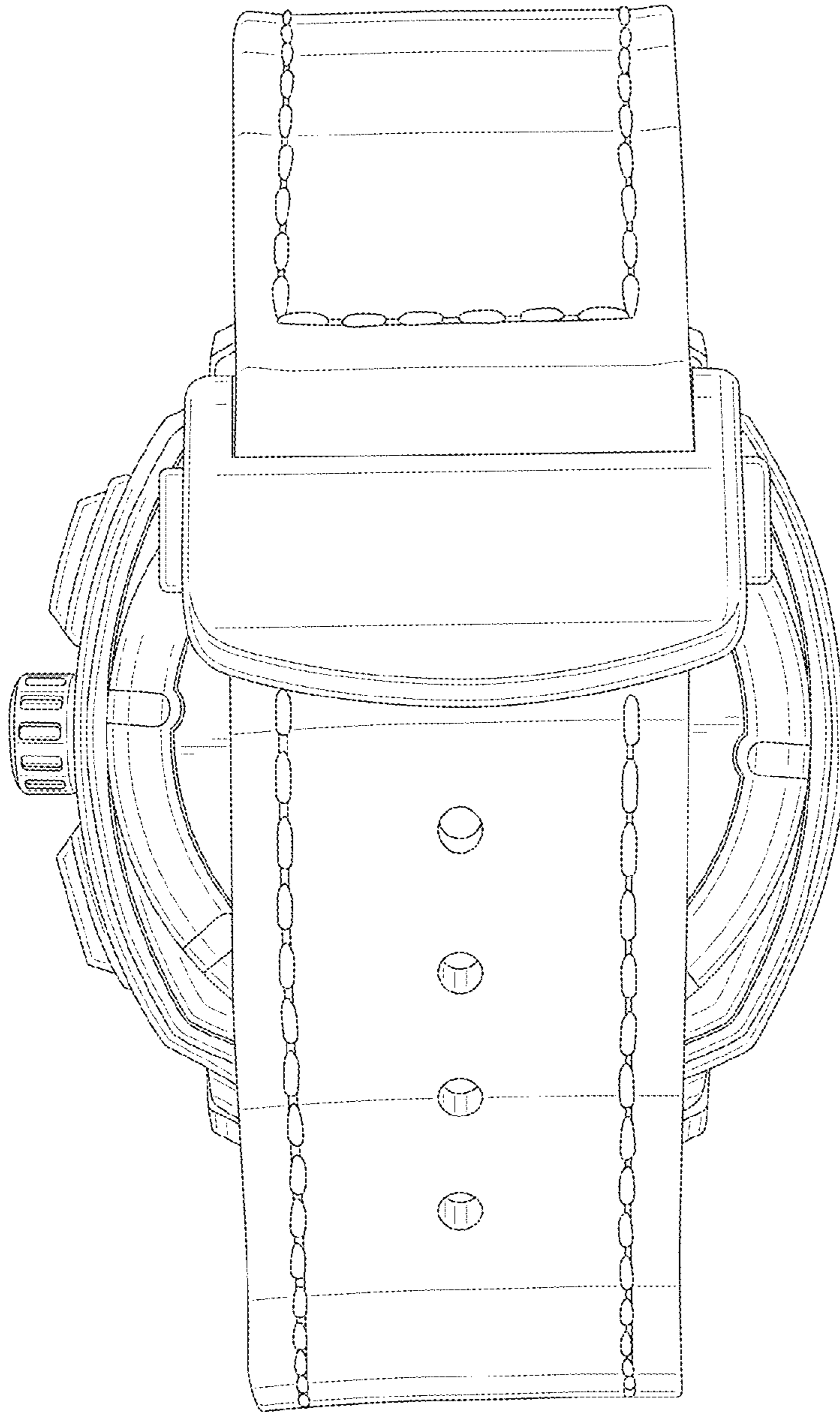


FIG. 3

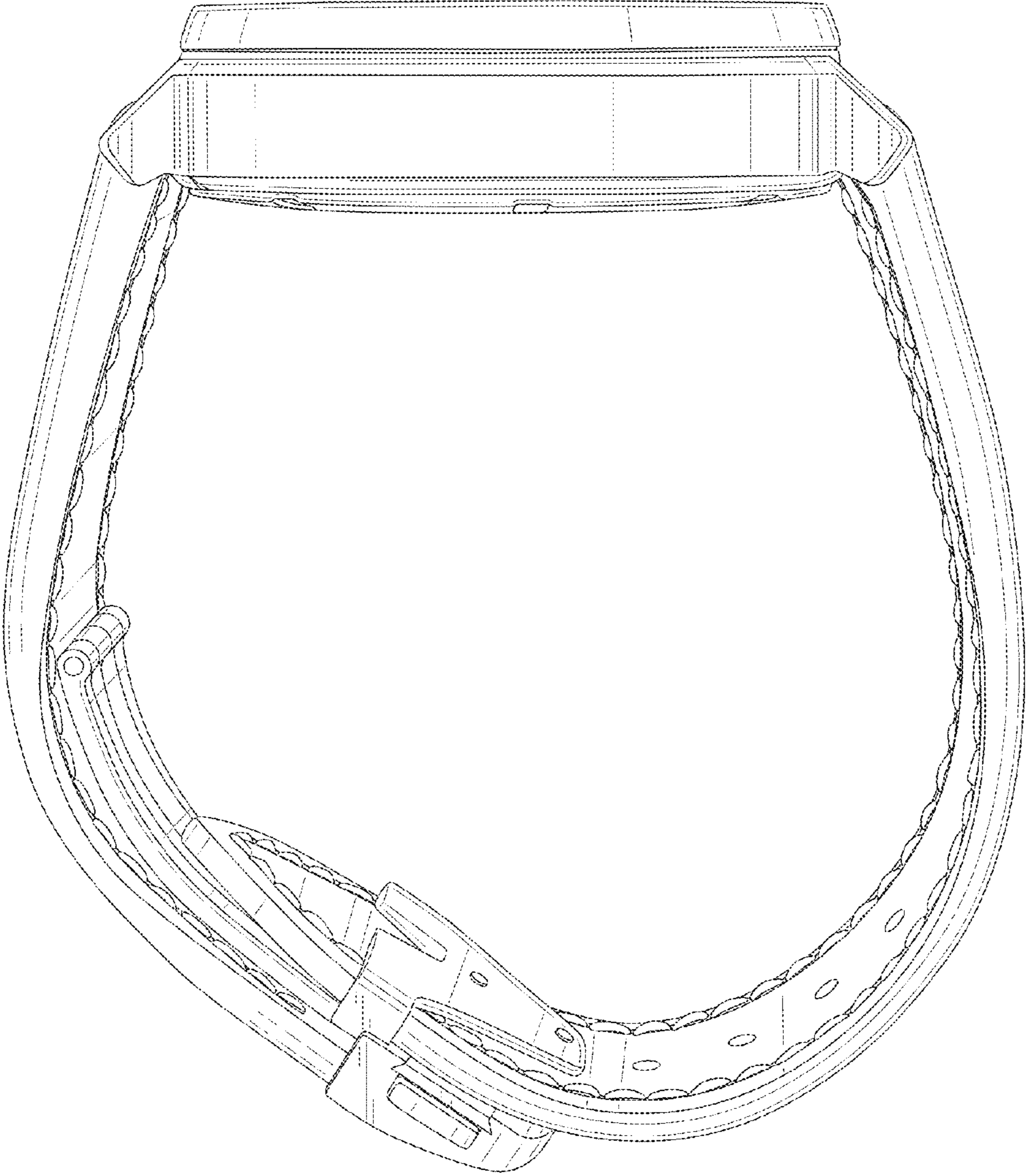


FIG. 4

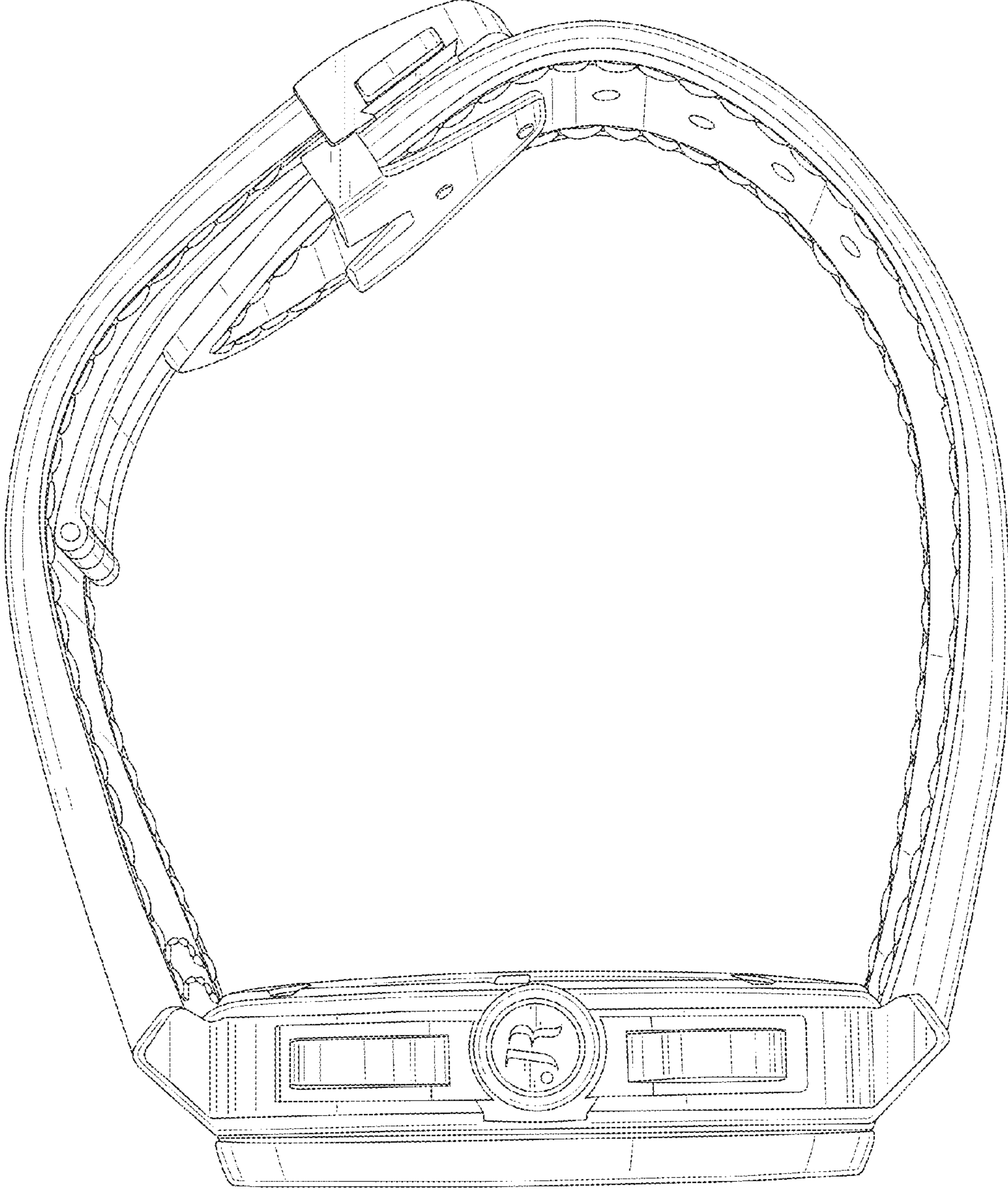


FIG. 5

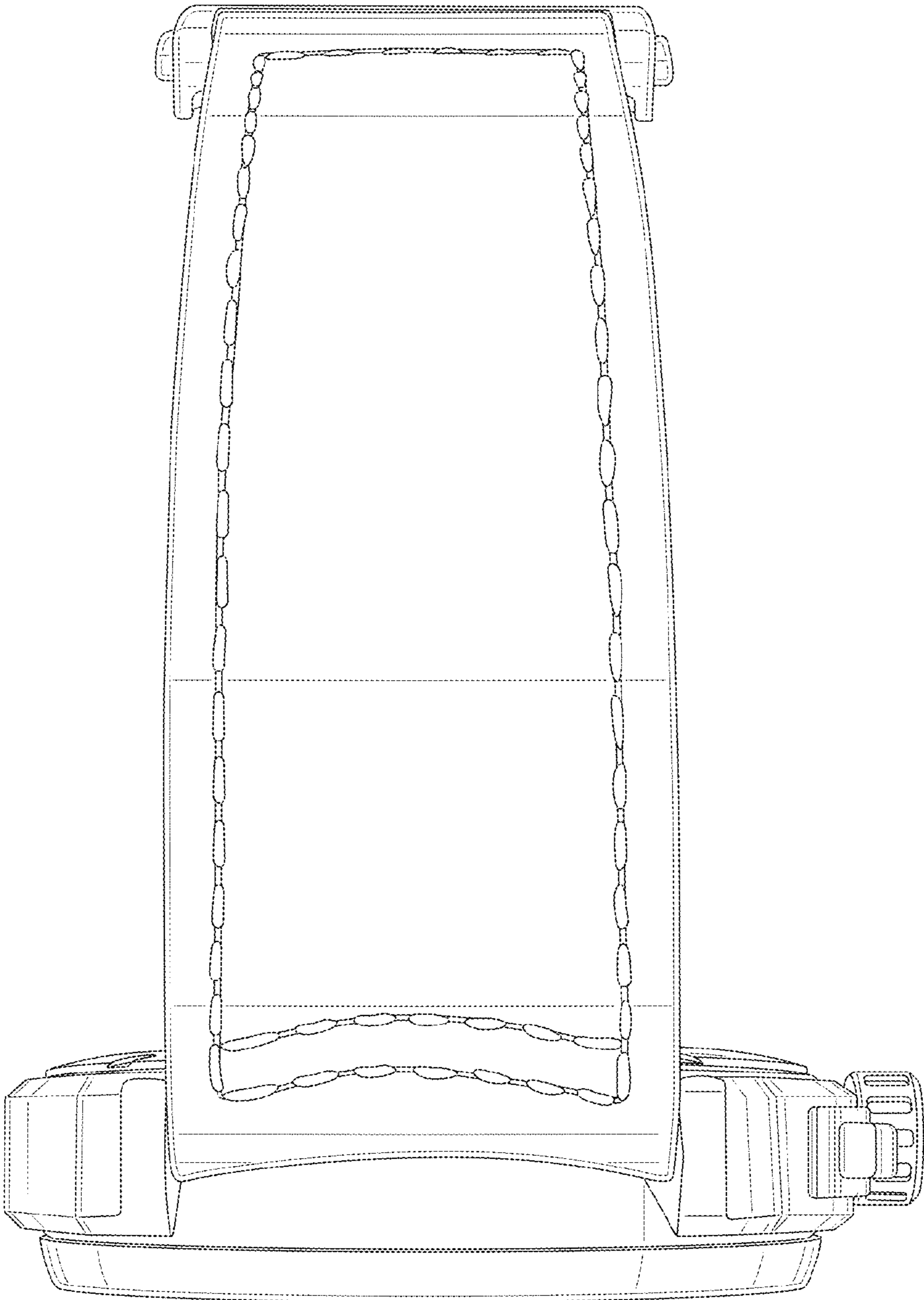


FIG. 6

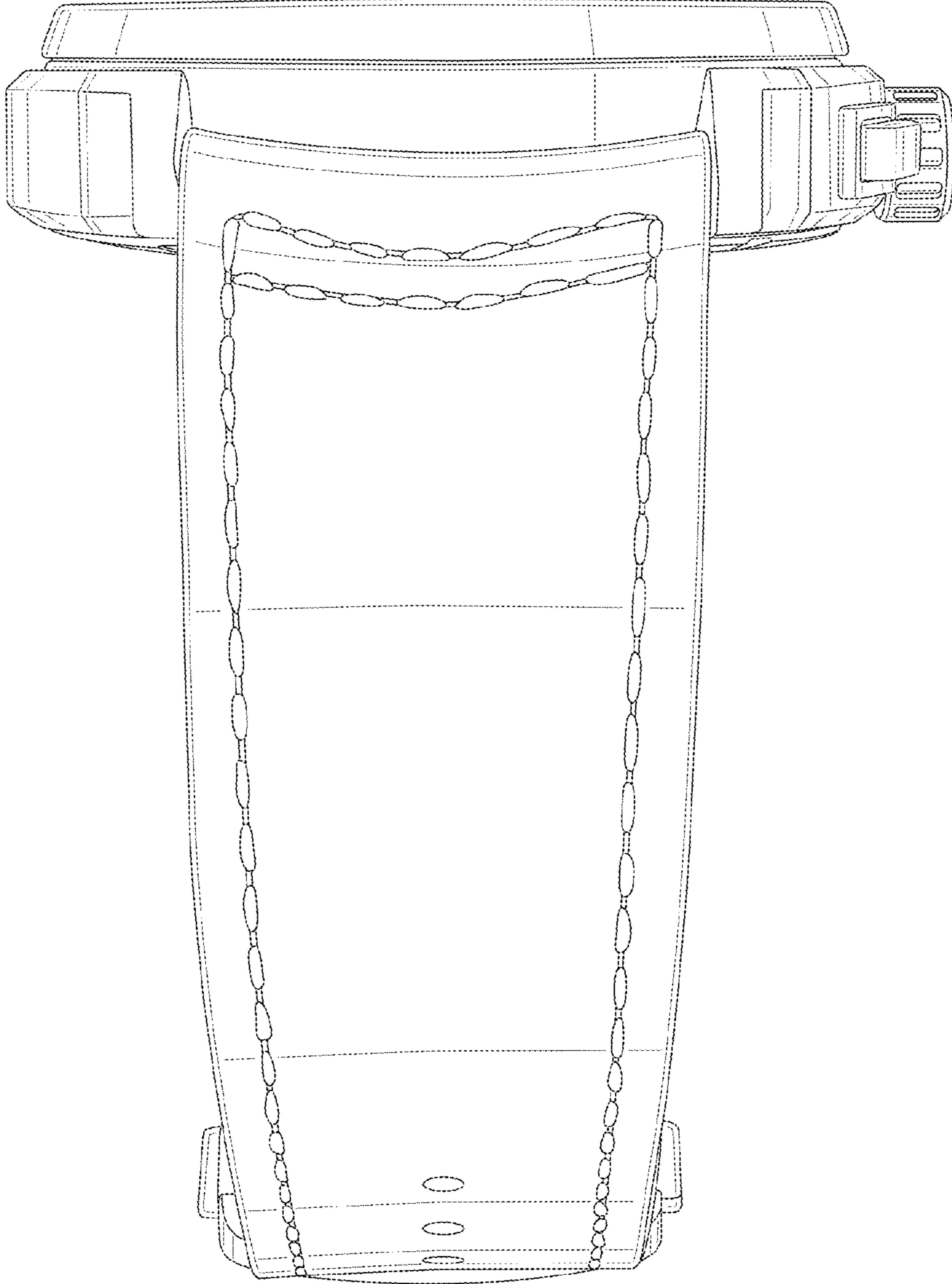


FIG. 7