



US00D705670S

(12) **United States Design Patent**
Emmenegger et al.

(10) **Patent No.:** **US D705,670 S**
(45) **Date of Patent:** **** May 27, 2014**

(54) **WRISTWATCH**
(71) Applicant: **Sowind SA**, La Chaux-de-Fonds (CH)
(72) Inventors: **Claude Emmenegger**, La Chaux-de-Fonds (CH); **Marjorie Cugney**, La Chaux-de-Fonds (CH)
(73) Assignee: **Sowind SA**, La Chaux-de-Fonds (CH)
(**) Term: **14 Years**
(21) Appl. No.: **29/468,126**
(22) Filed: **Sep. 26, 2013**

D517,432 S * 3/2006 Laucella D10/39
D538,182 S * 3/2007 Lalo D10/32
D551,095 S * 9/2007 Monachon D10/32
D574,733 S * 8/2008 Blair D10/32
D592,975 S * 5/2009 Markl D10/32
D608,223 S * 1/2010 Salanitro D10/38
D628,506 S * 12/2010 Plange D10/124
D628,507 S * 12/2010 Plange D10/126
D628,908 S * 12/2010 Giannini D10/32
D632,980 S * 2/2011 Yurman D10/38
D650,710 S * 12/2011 Laucella D10/39
D659,025 S * 5/2012 Yurman D10/32
D659,044 S * 5/2012 Kauffmann D10/126
D673,866 S * 1/2013 Duport D10/32
D680,883 S * 4/2013 Loth et al. D10/32

* cited by examiner

(30) **Foreign Application Priority Data**

Mar. 27, 2013 (CH) 139675

(51) **LOC (10) Cl.** **10-02**
(52) **U.S. Cl.**
USPC **D10/32; D10/33**
(58) **Field of Classification Search**
USPC D10/30-39, 122-132; 368/276, 281,
368/282, 80, 223, 228, 232, 21-27
See application file for complete search history.

Primary Examiner — Lucy Lieberman

(74) *Attorney, Agent, or Firm* — Sughrue Mion, PLLC

(57) **CLAIM**

The ornamental design for a wristwatch, as shown and described.

DESCRIPTION

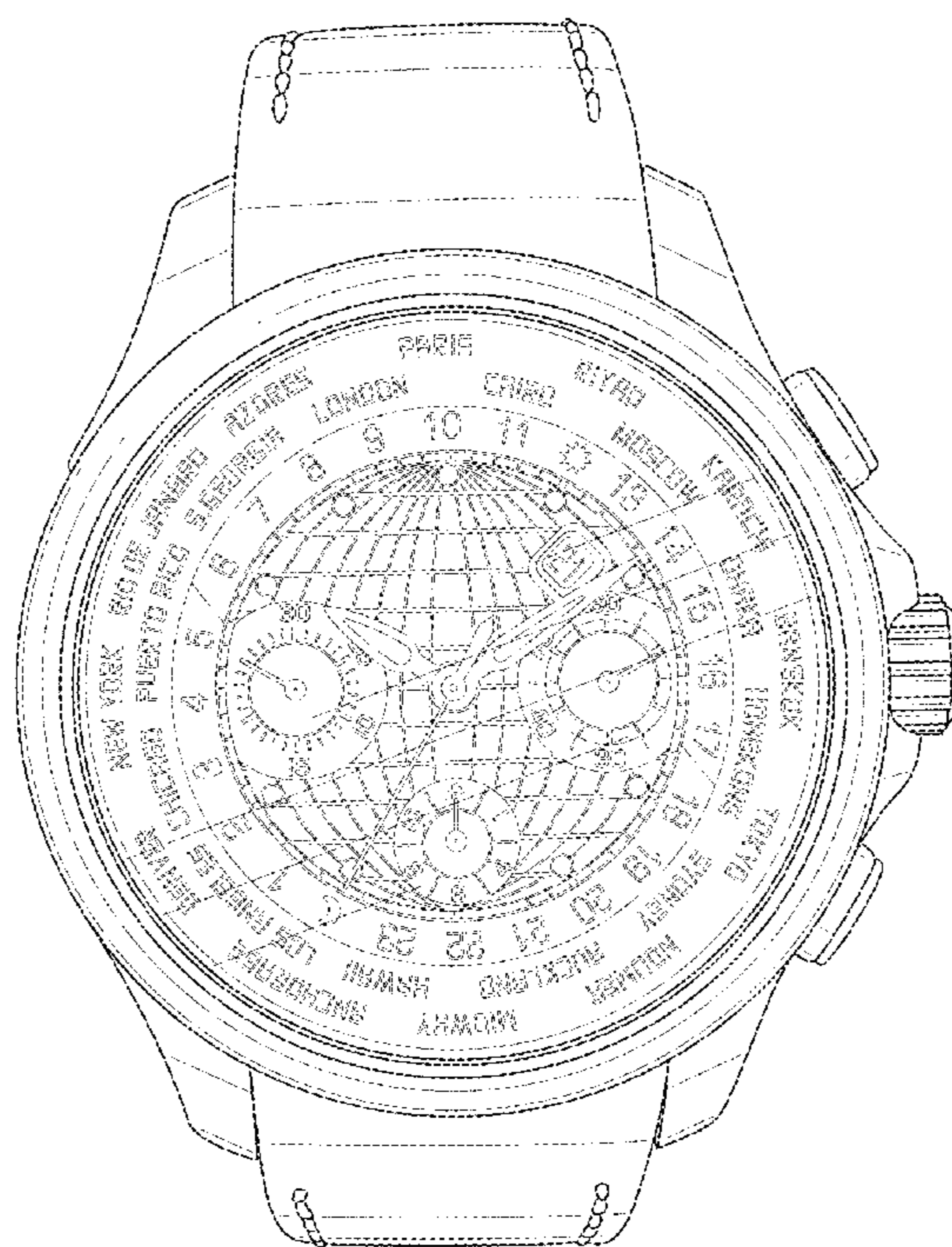
FIG. 1 is a front and side perspective view of a wristwatch showing my new design;
FIG. 2 is a rear and side perspective view thereof;
FIG. 3 is a front elevational view thereof;
FIG. 4 is a rear elevational view thereof;
FIG. 5 is a left side elevational view thereof;
FIG. 6 is a right side elevational view thereof;
FIG. 7 is a top plan view thereof; and,
FIG. 8 is a bottom plan view.

(56) **References Cited**

U.S. PATENT DOCUMENTS

5,195,062 A * 3/1993 Masahiro et al. 368/21
5,237,544 A * 8/1993 Sase et al. 368/21
5,383,165 A * 1/1995 Vaucher 368/27
D360,141 S * 7/1995 Scheufele D10/32
5,708,628 A * 1/1998 Chen 368/21
D474,118 S * 5/2003 Monachon D10/32

1 Claim, 8 Drawing Sheets



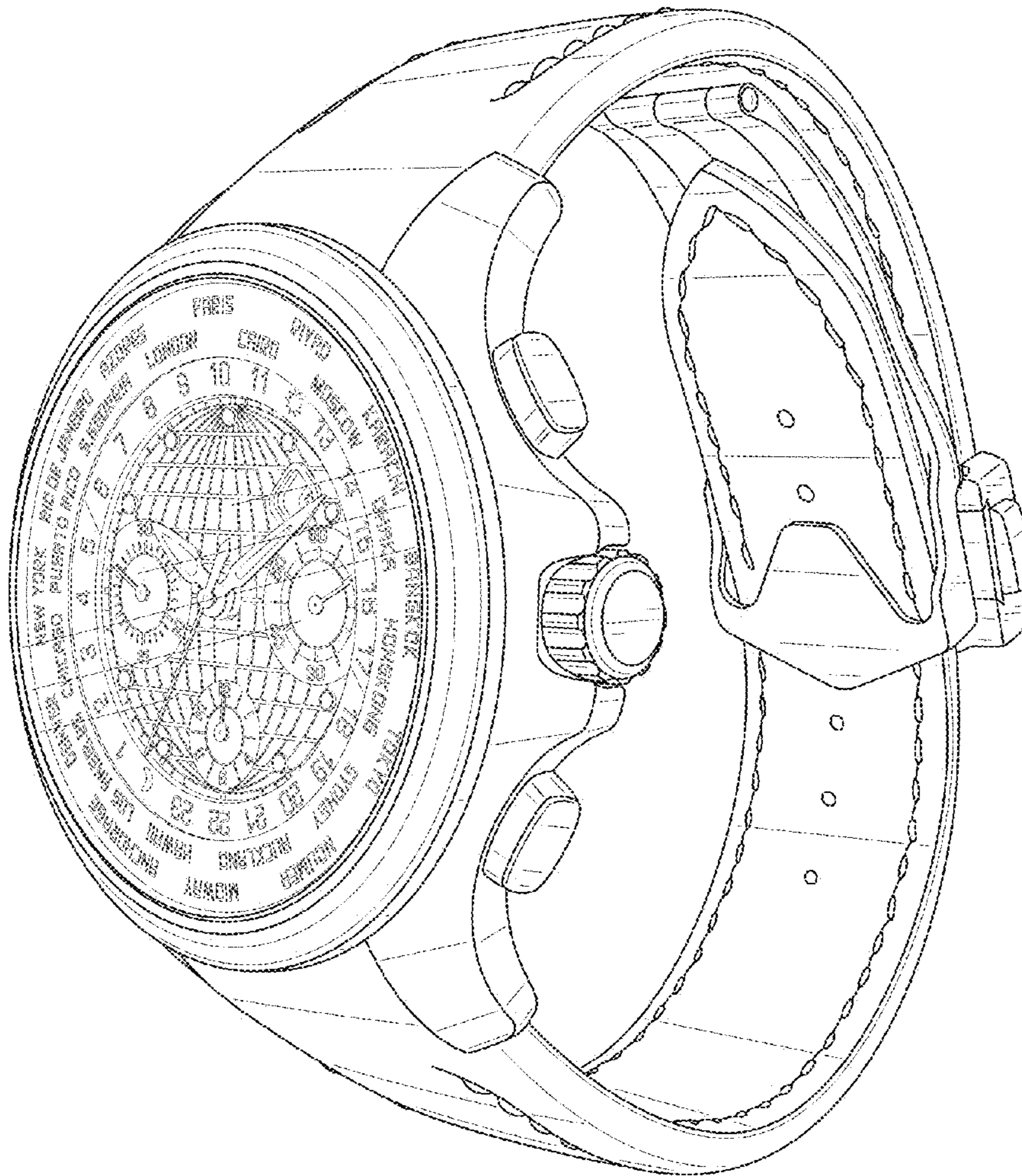


FIG. 1

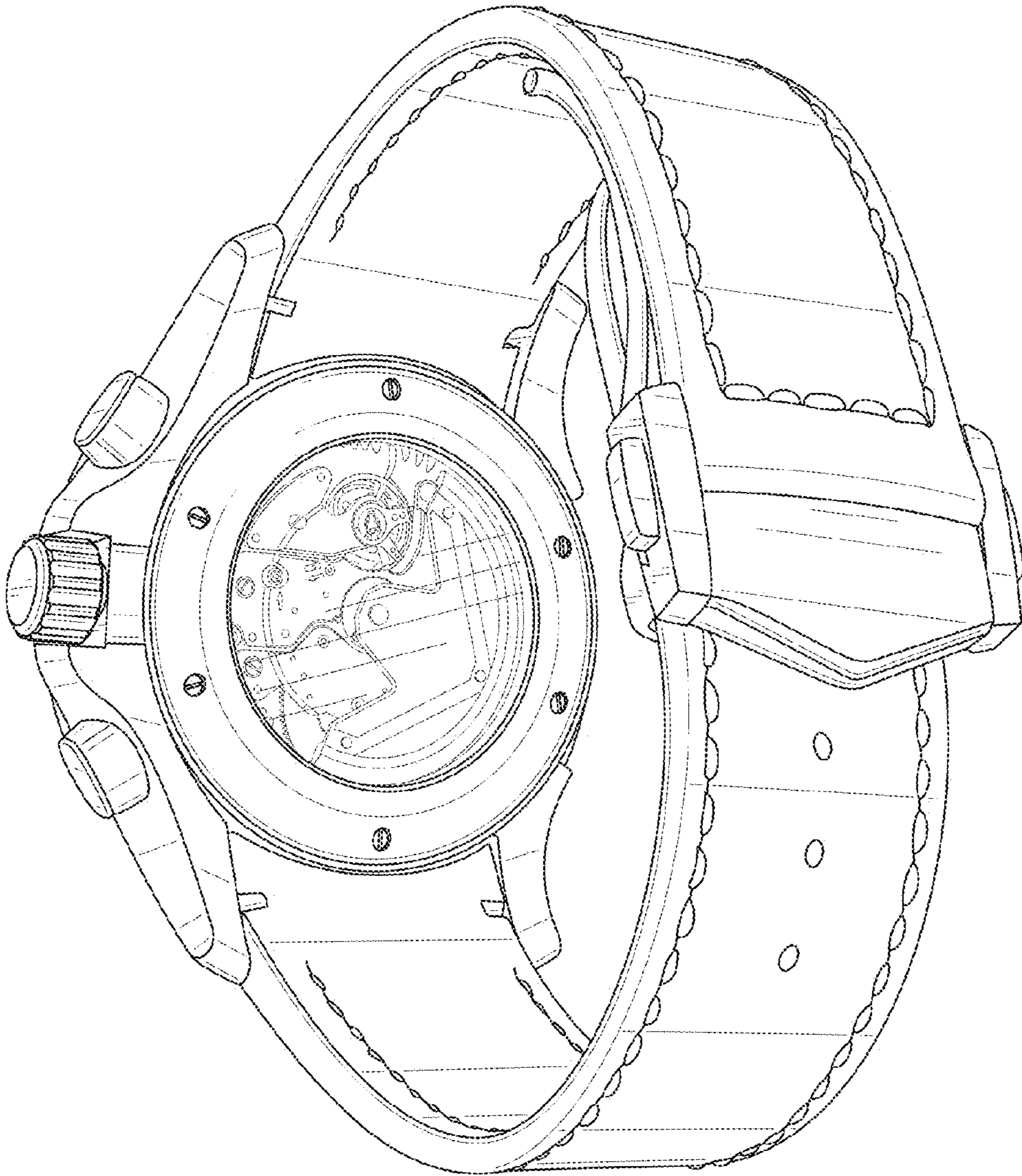


FIG. 2



FIG. 3

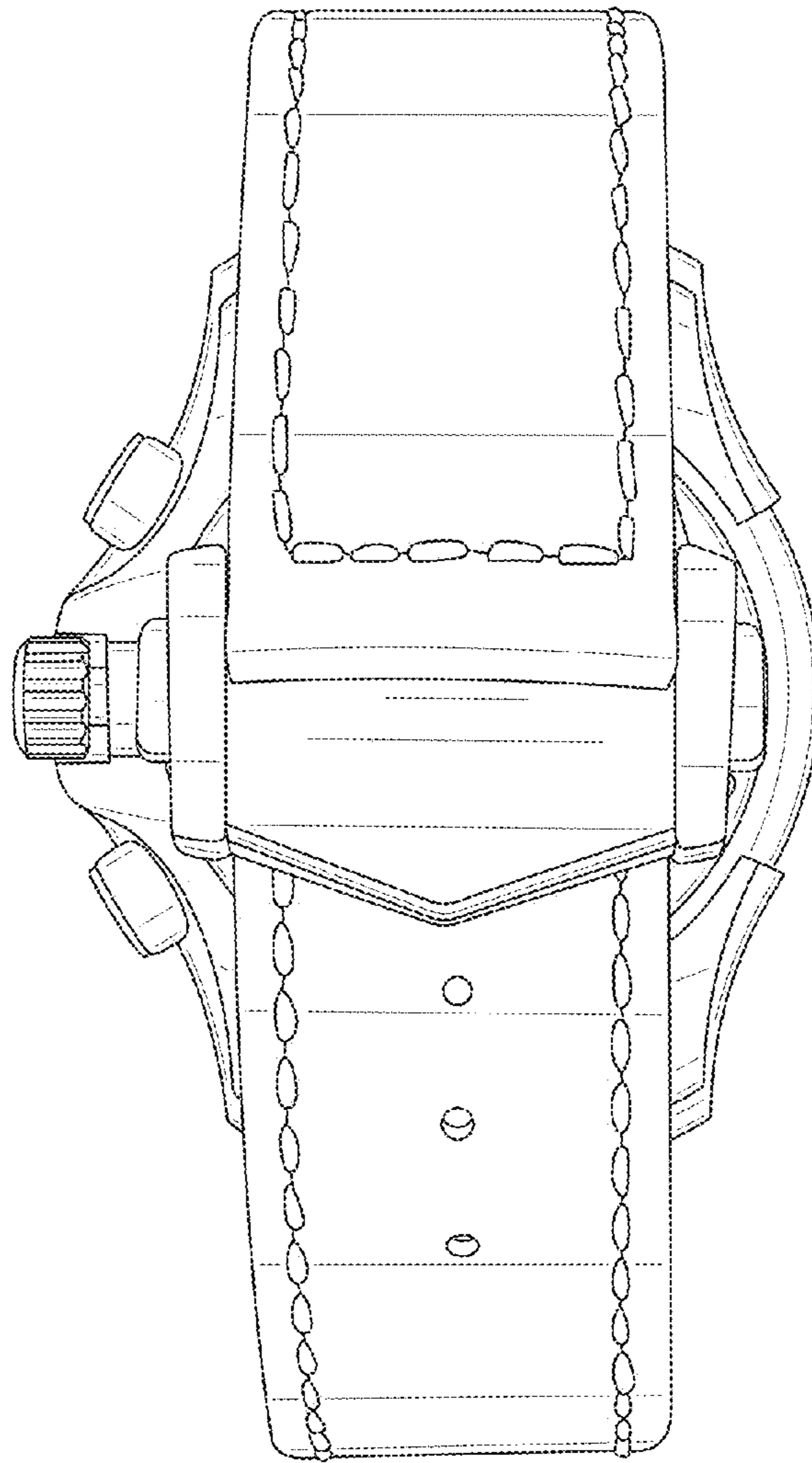


FIG. 4

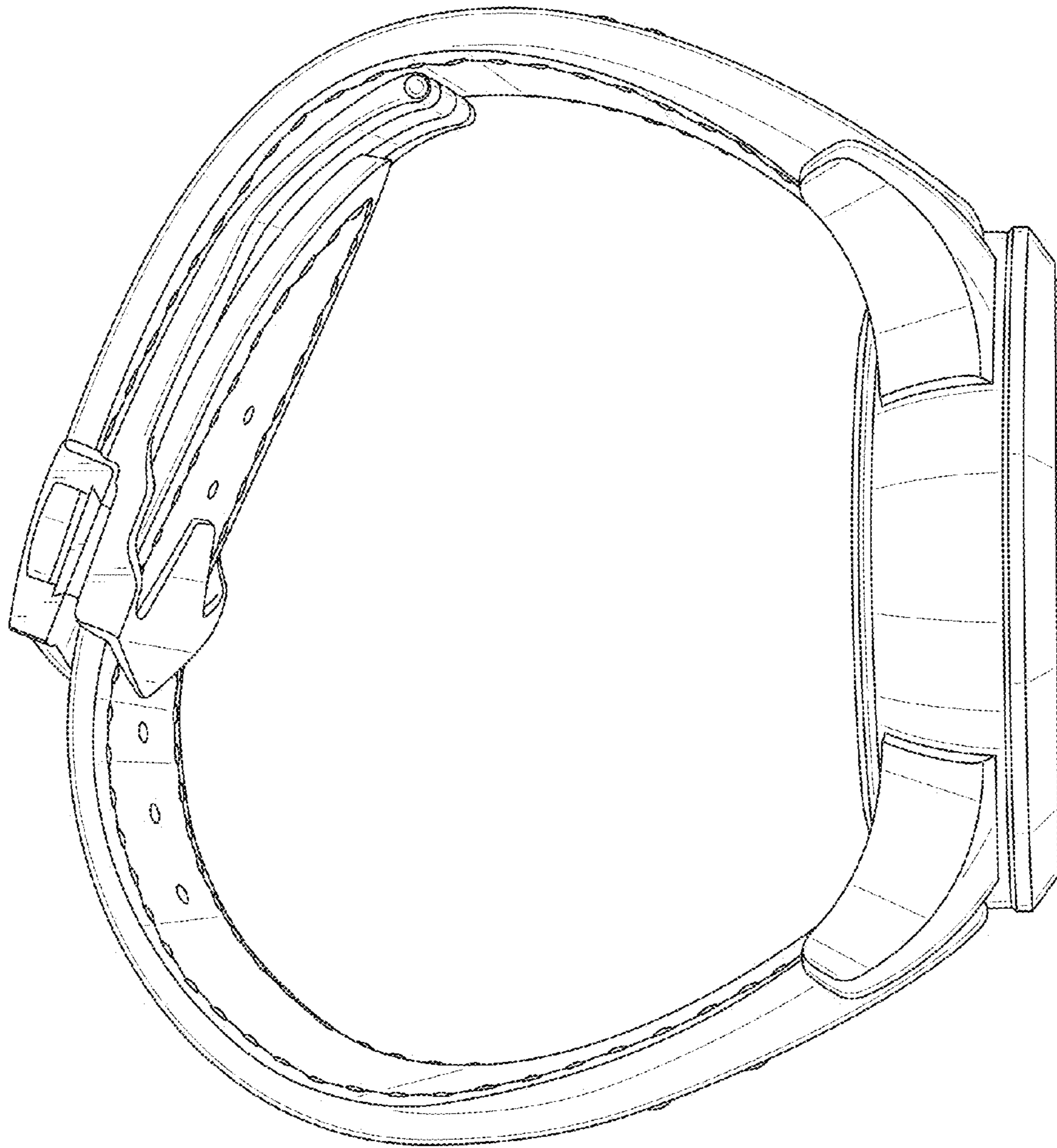


FIG. 5

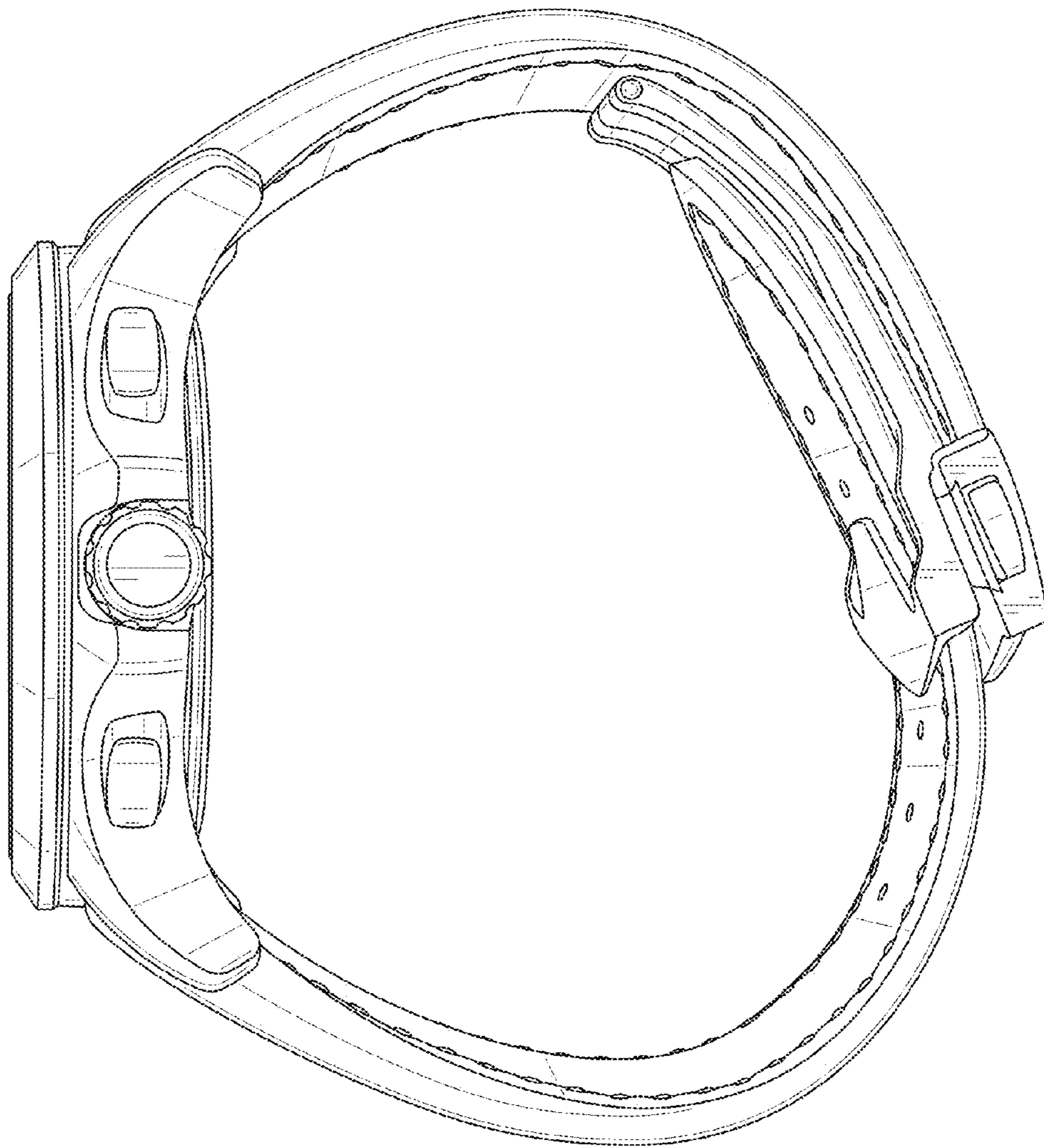


FIG. 6

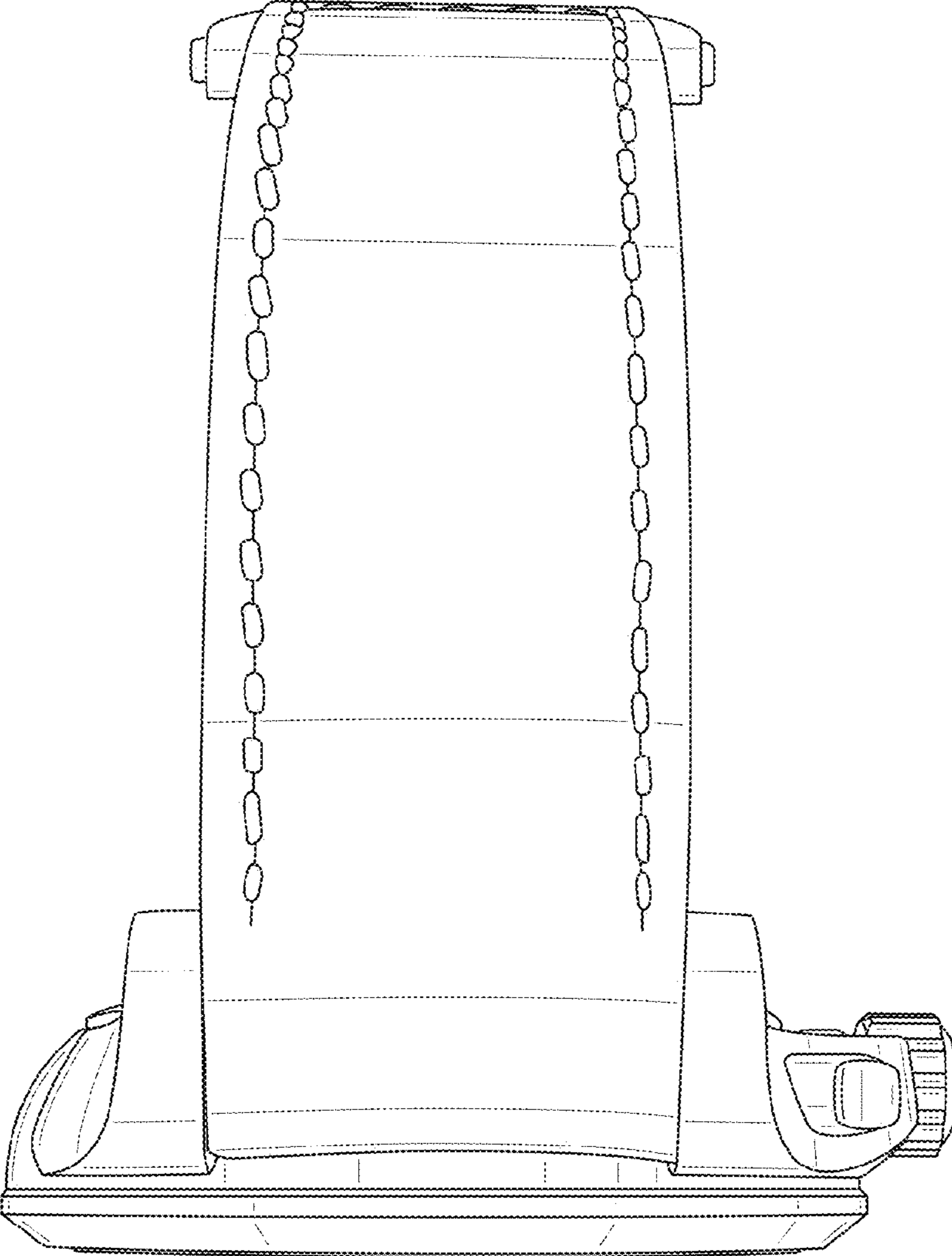


FIG. 7

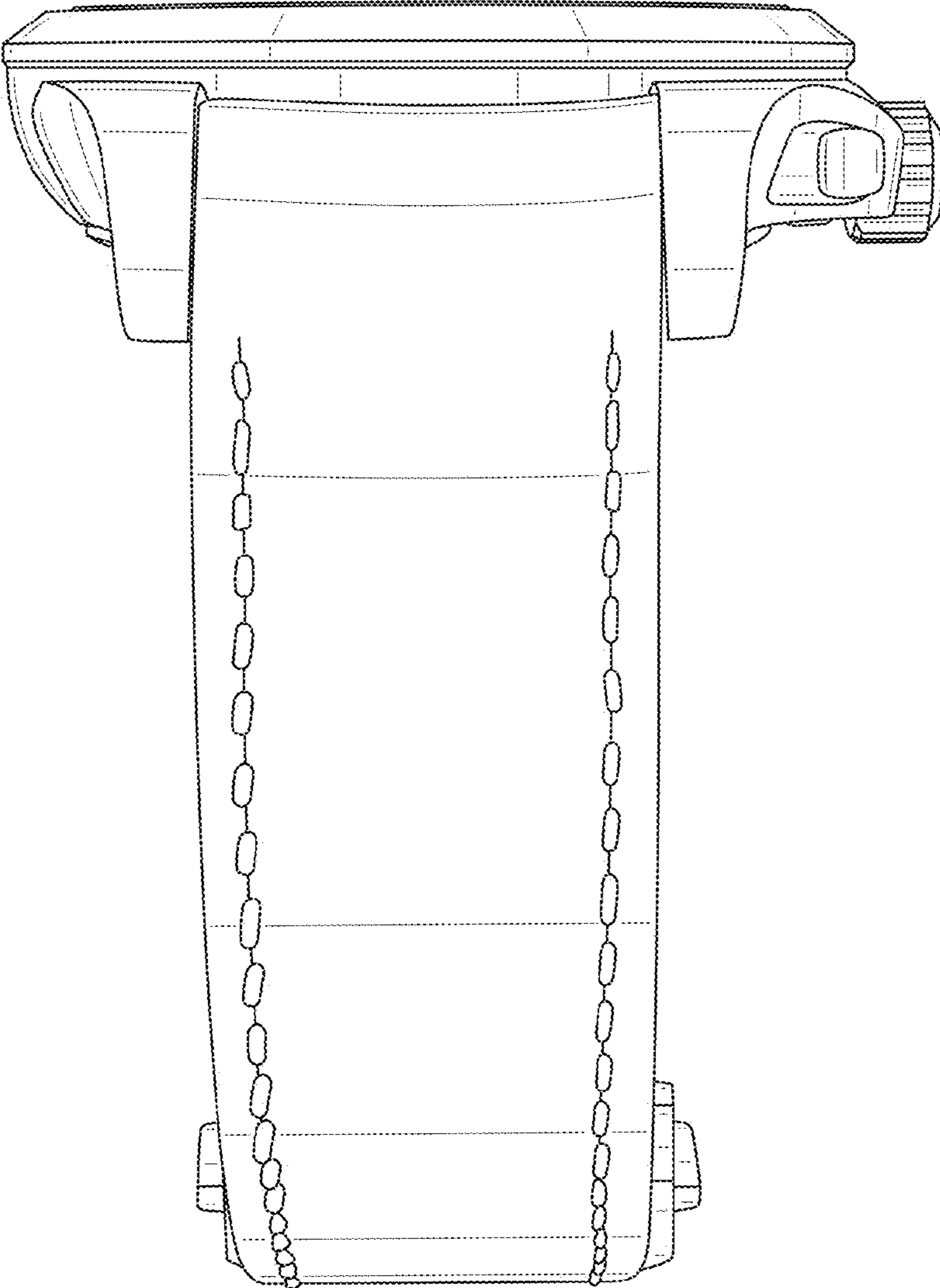


FIG. 8