



US00D705668S

(12) **United States Design Patent**
Loth et al.

(10) **Patent No.:** **US D705,668 S**
(45) **Date of Patent:** **** May 27, 2014**

(54) **WRISTWATCH**

(71) Applicant: **Graham SA**, La Chaux-de-Fonds (CH)

(72) Inventors: **Eric Loth**, Bienne (CH); **Christophe Robert**, Le Locle (CH); **Julien Bernard**, La Neuveville (CH)

(73) Assignee: **Graham SA**, La Chaux-de-Fonds (CH)

(**) Term: **14 Years**

(21) Appl. No.: **29/465,451**

(22) Filed: **Aug. 28, 2013**

(30) **Foreign Application Priority Data**

Apr. 25, 2013 (CH) 139866

(51) **LOC (10) Cl.** **10-02**

(52) **U.S. Cl.**
USPC **D10/32**

(58) **Field of Classification Search**
USPC D10/30-39, 122-132; 368/276, 281, 368/282, 80, 223, 228, 232; D11/3
See application file for complete search history.

(56) **References Cited**

U.S. PATENT DOCUMENTS

2,724,235 A * 11/1955 Bauerle 368/126
4,825,426 A * 4/1989 Oechslin 368/15
5,197,043 A * 3/1993 Strader 368/27
D351,361 S * 10/1994 Itoh D10/126
5,457,663 A * 10/1995 Mejaski 368/15

D460,002 S * 7/2002 Wunderman D10/32
D473,473 S * 4/2003 Wunderman D10/32
D537,741 S * 3/2007 Gruosi-Scheufele D10/39
D538,184 S * 3/2007 Scheufele D10/39
D546,716 S * 7/2007 Gruosi-Scheufele D10/39
D549,598 S * 8/2007 Yoshikawa D10/32
D568,180 S * 5/2008 Laucella D10/39
D570,230 S * 6/2008 Monachon D10/32
D577,610 S * 9/2008 Emch Ducommun D10/32
D586,238 S * 2/2009 Loth D10/32
D630,960 S * 1/2011 Vogeli D10/128
D669,372 S * 10/2012 Laucella D10/39
D677,175 S * 3/2013 Bulgari D10/32
D680,883 S * 4/2013 Loth et al. D10/32

* cited by examiner

Primary Examiner — Lucy Lieberman

(74) *Attorney, Agent, or Firm* — Sughrue Mion, PLLC

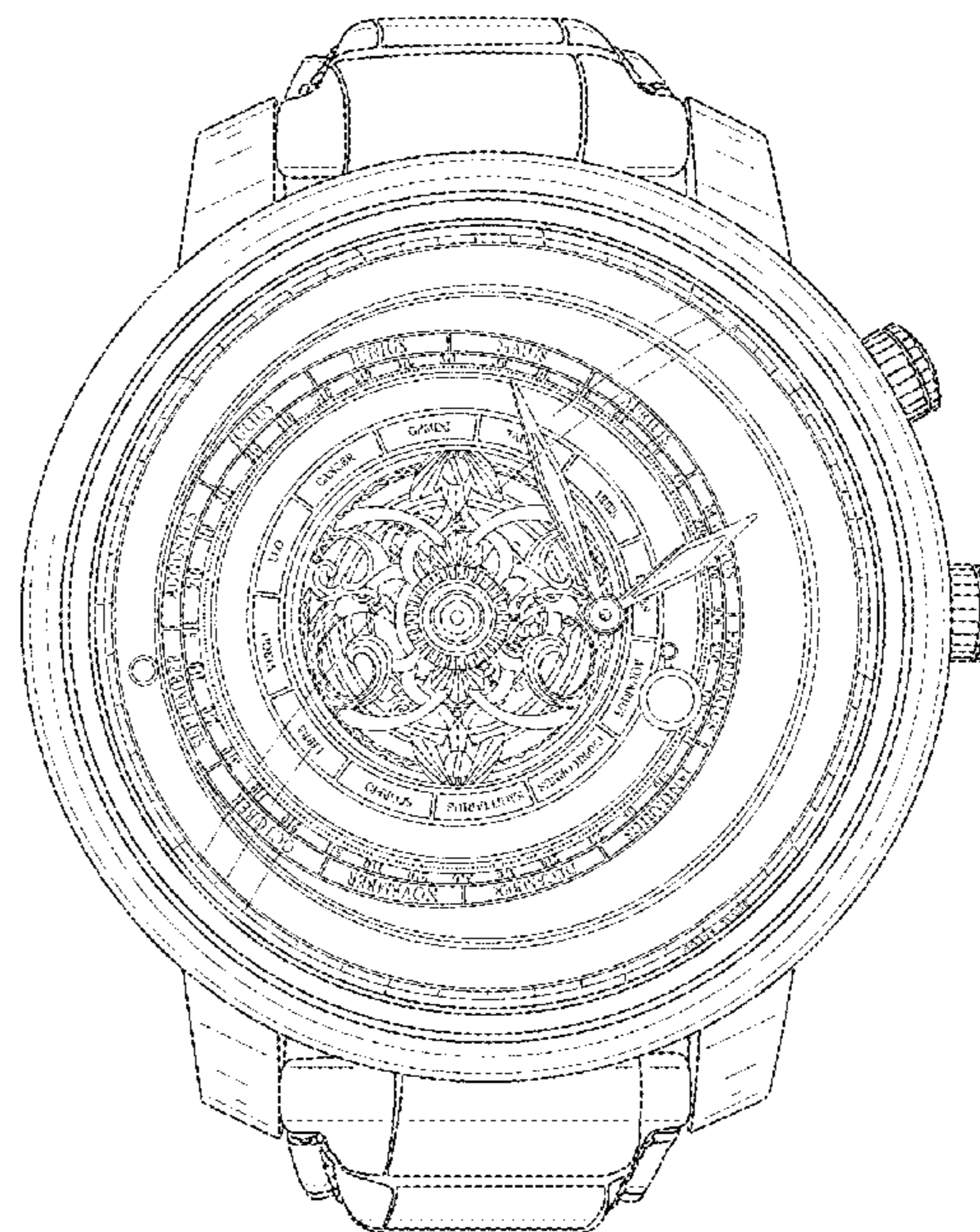
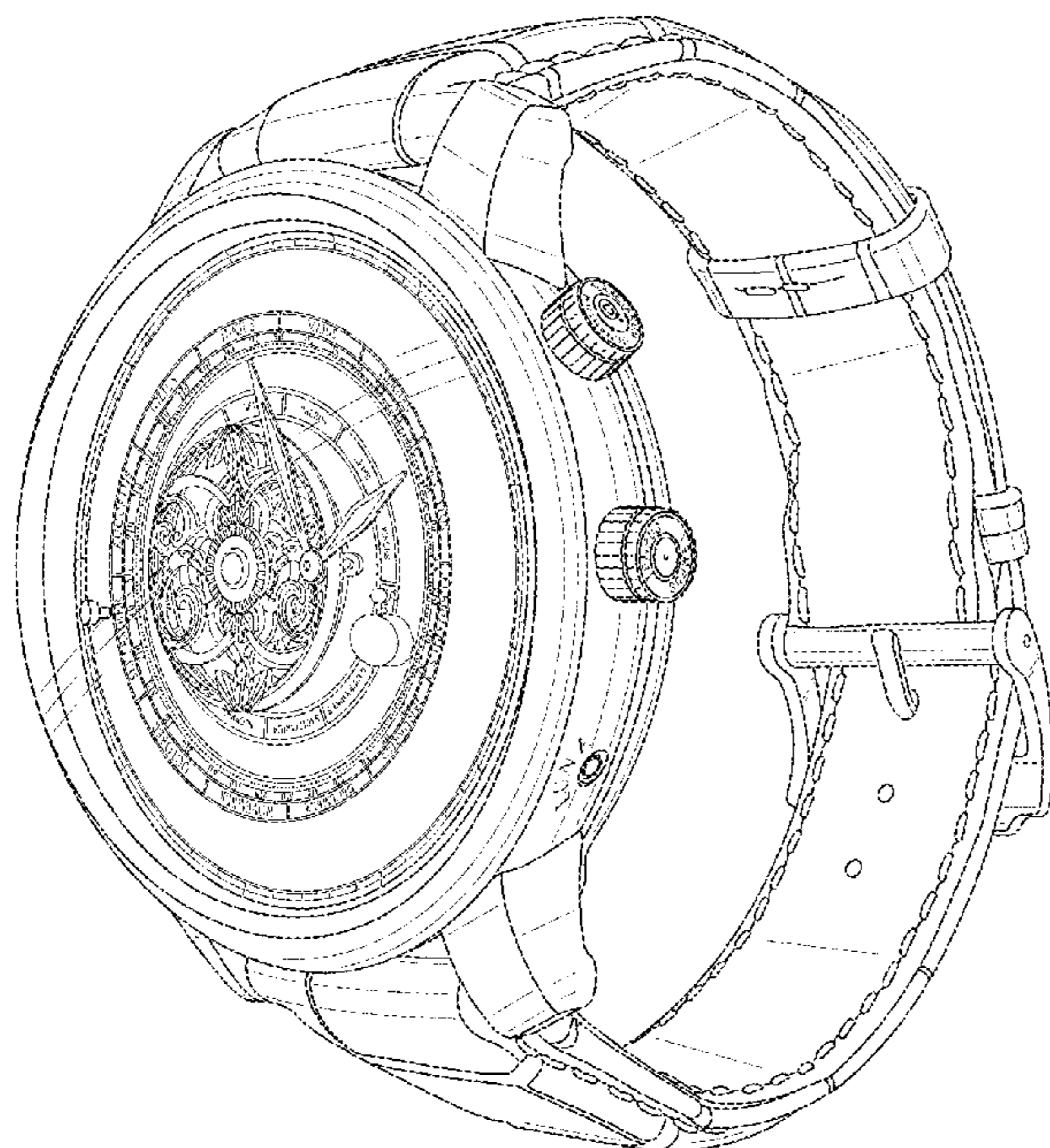
(57) **CLAIM**

The ornamental design for a wristwatch, as shown and described.

DESCRIPTION

FIG. 1 is a front perspective view of my new design for a wristwatch;
FIG. 2 is a rear perspective view thereof;
FIG. 3 is a front view thereof;
FIG. 4 is a back view thereof;
FIG. 5 is a left side view thereof;
FIG. 6 is a right side view thereof;
FIG. 7 is a top view thereof; and,
FIG. 8 is a bottom view thereof.

1 Claim, 8 Drawing Sheets



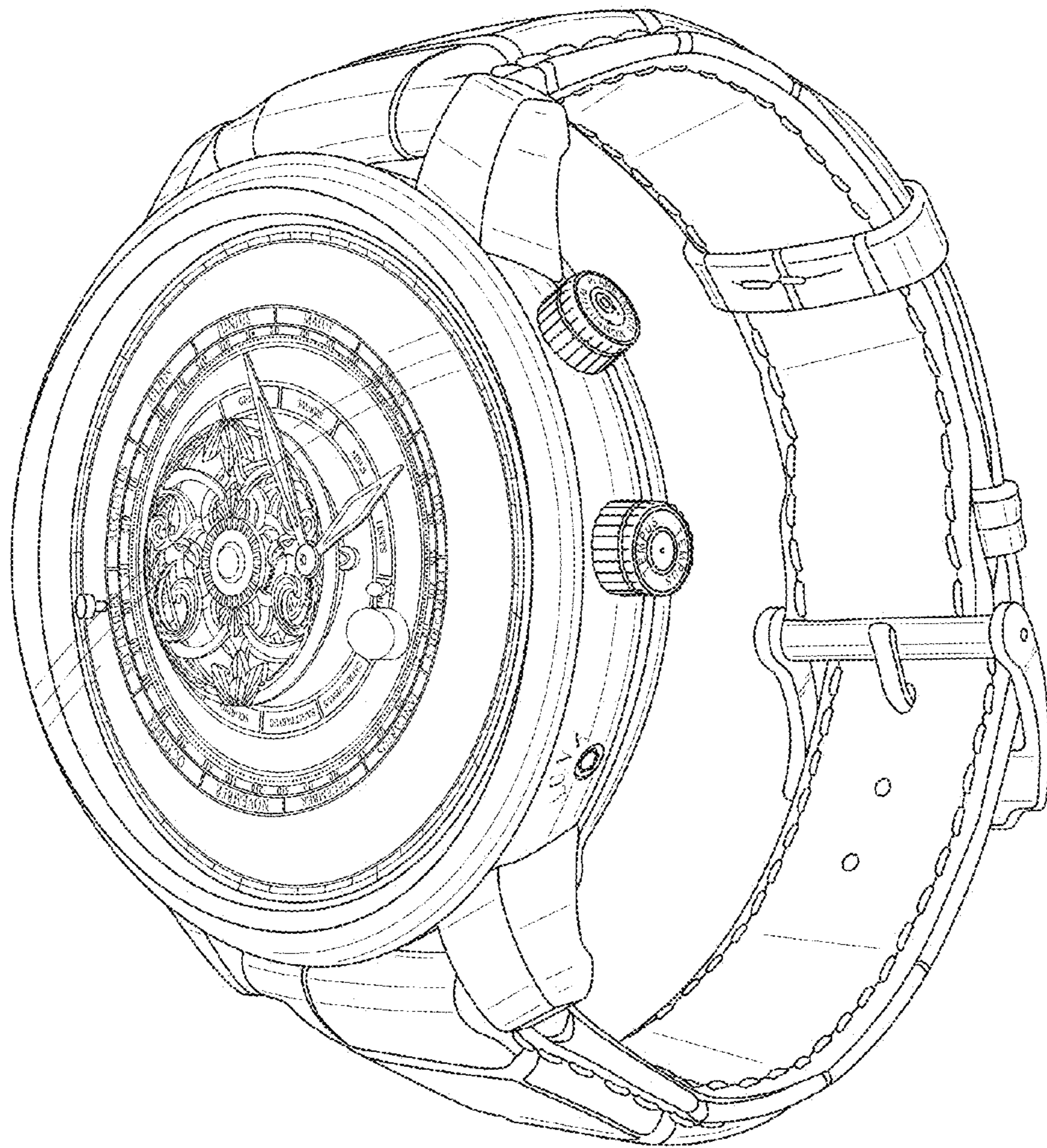


FIG. 1



FIG. 2

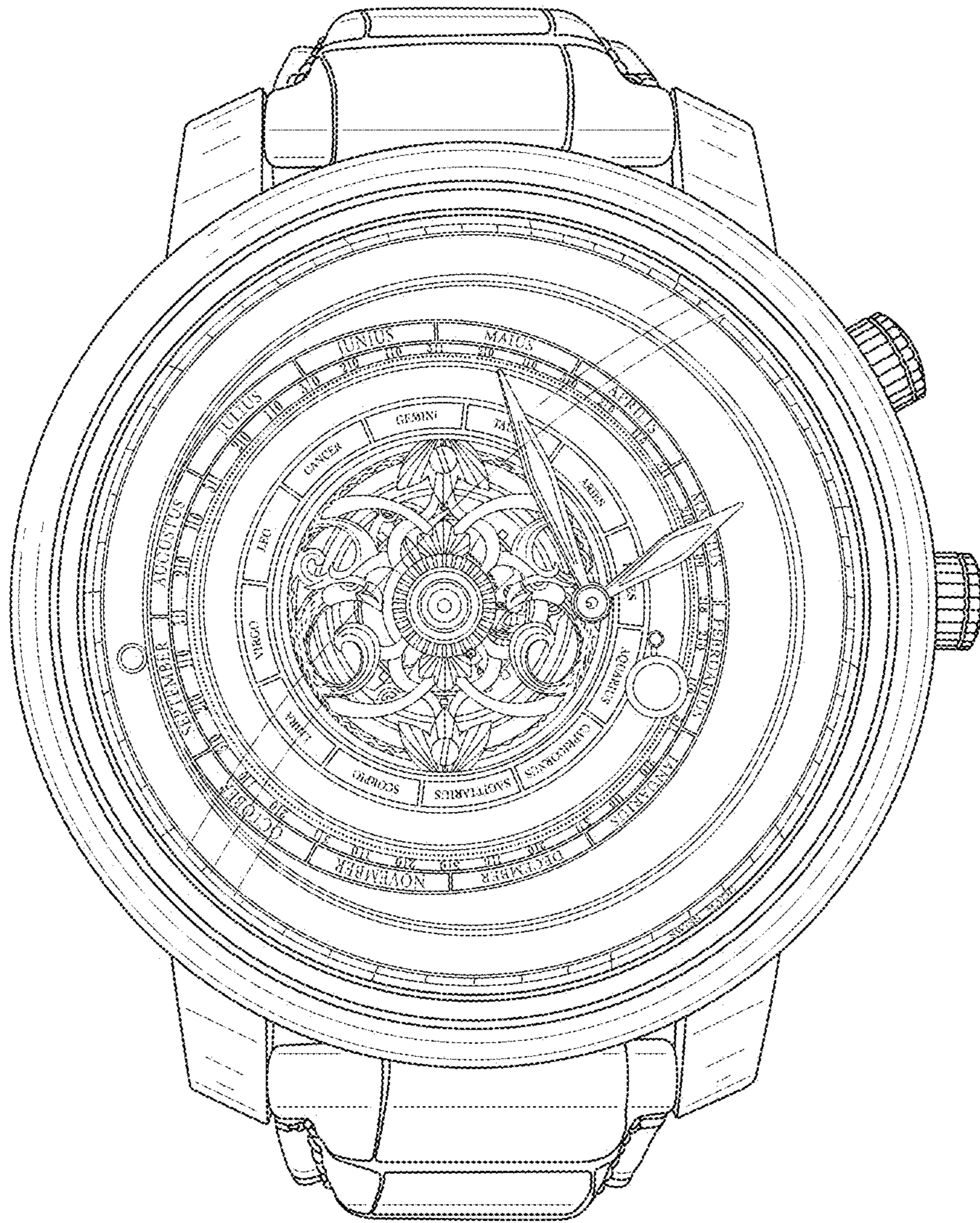


FIG. 3

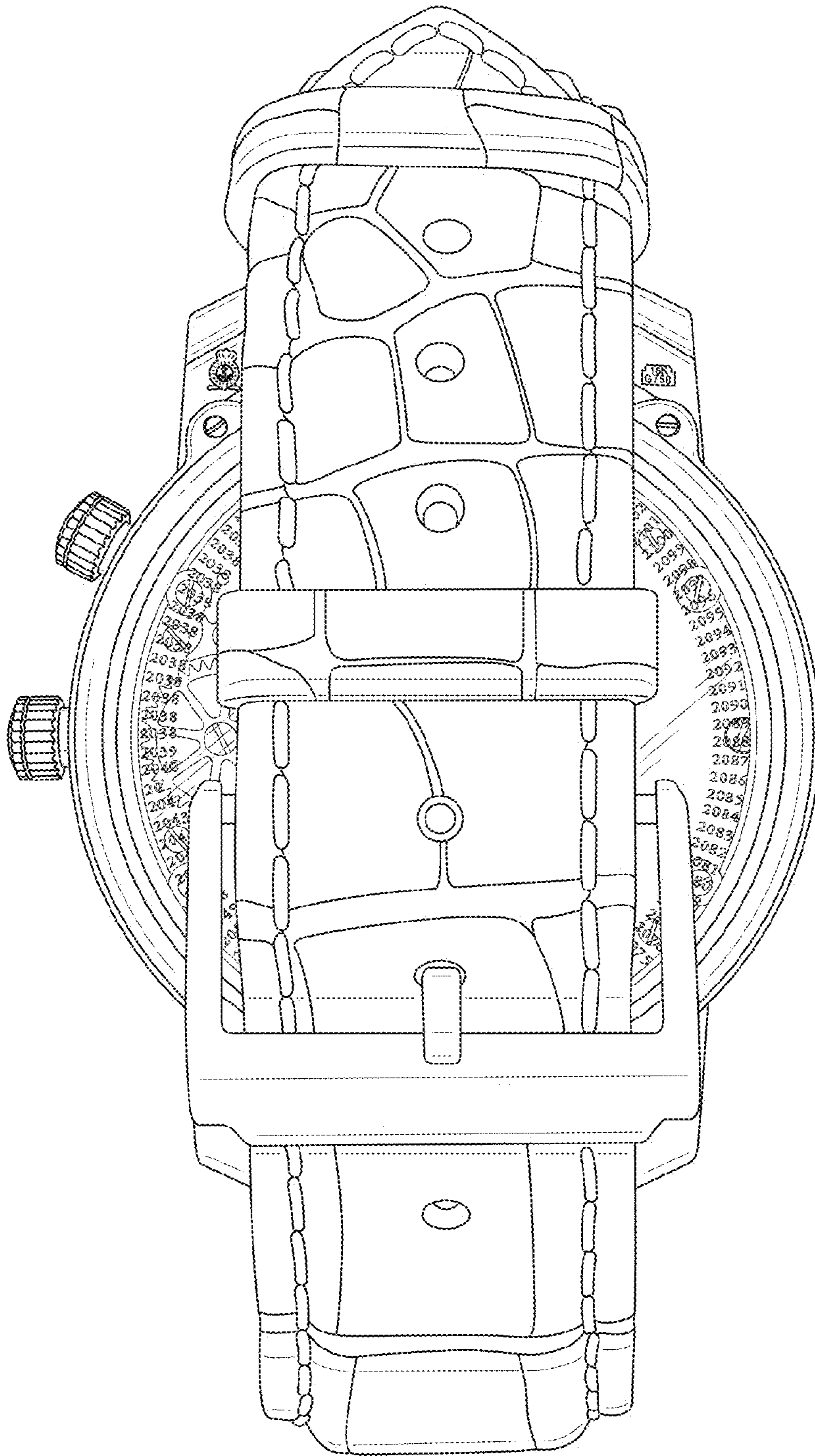


FIG. 4

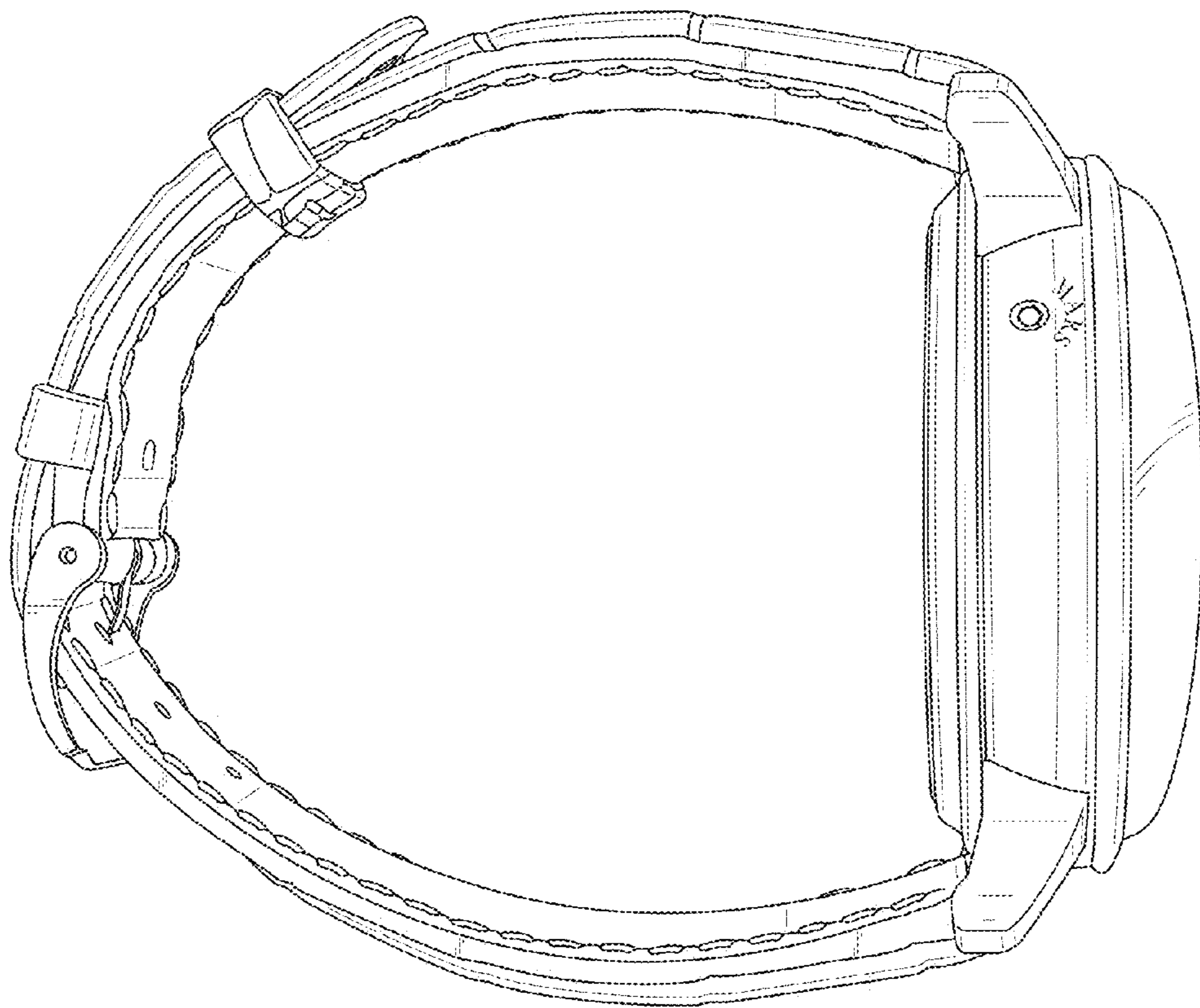


FIG. 5

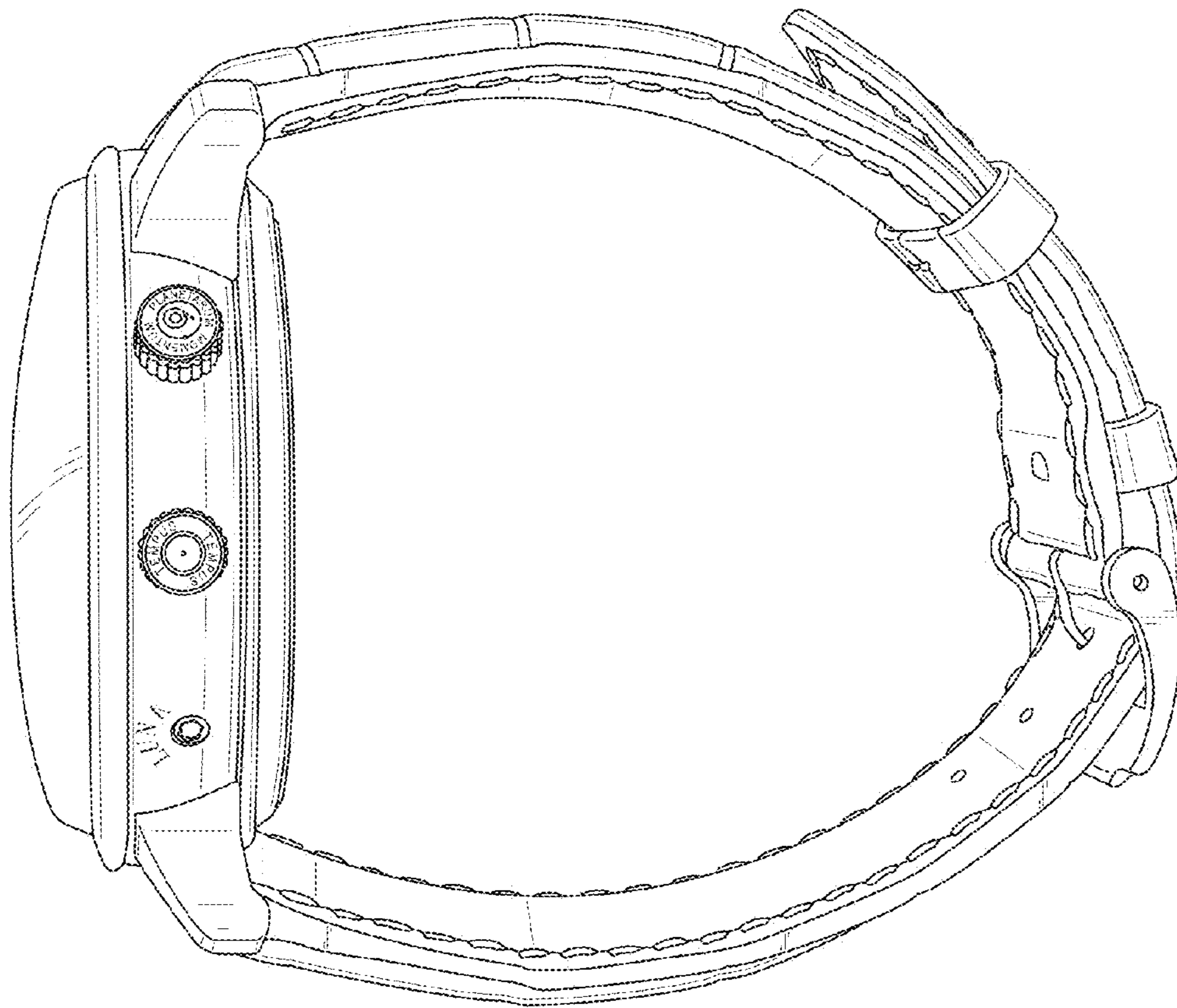


FIG. 6

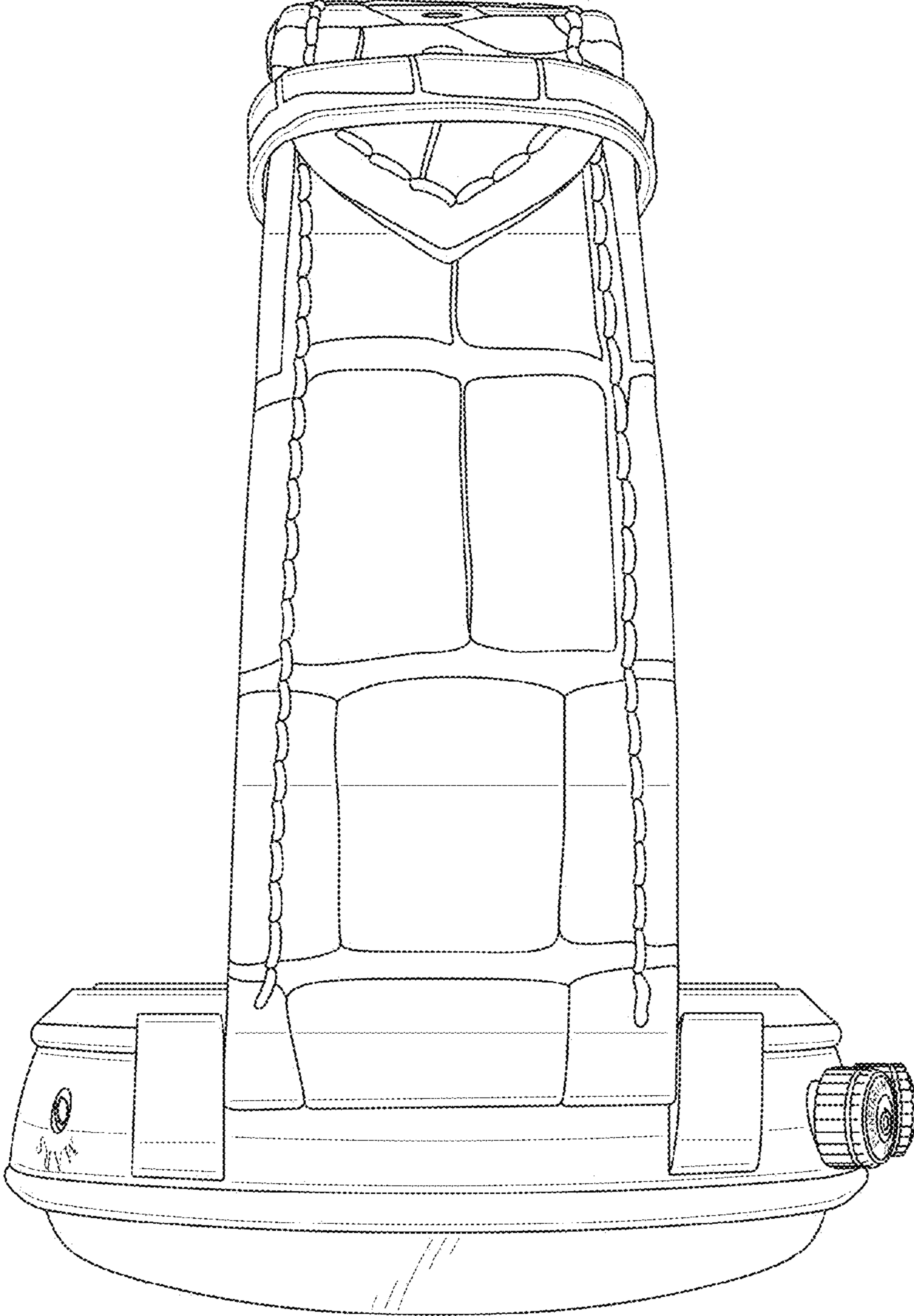


FIG. 7

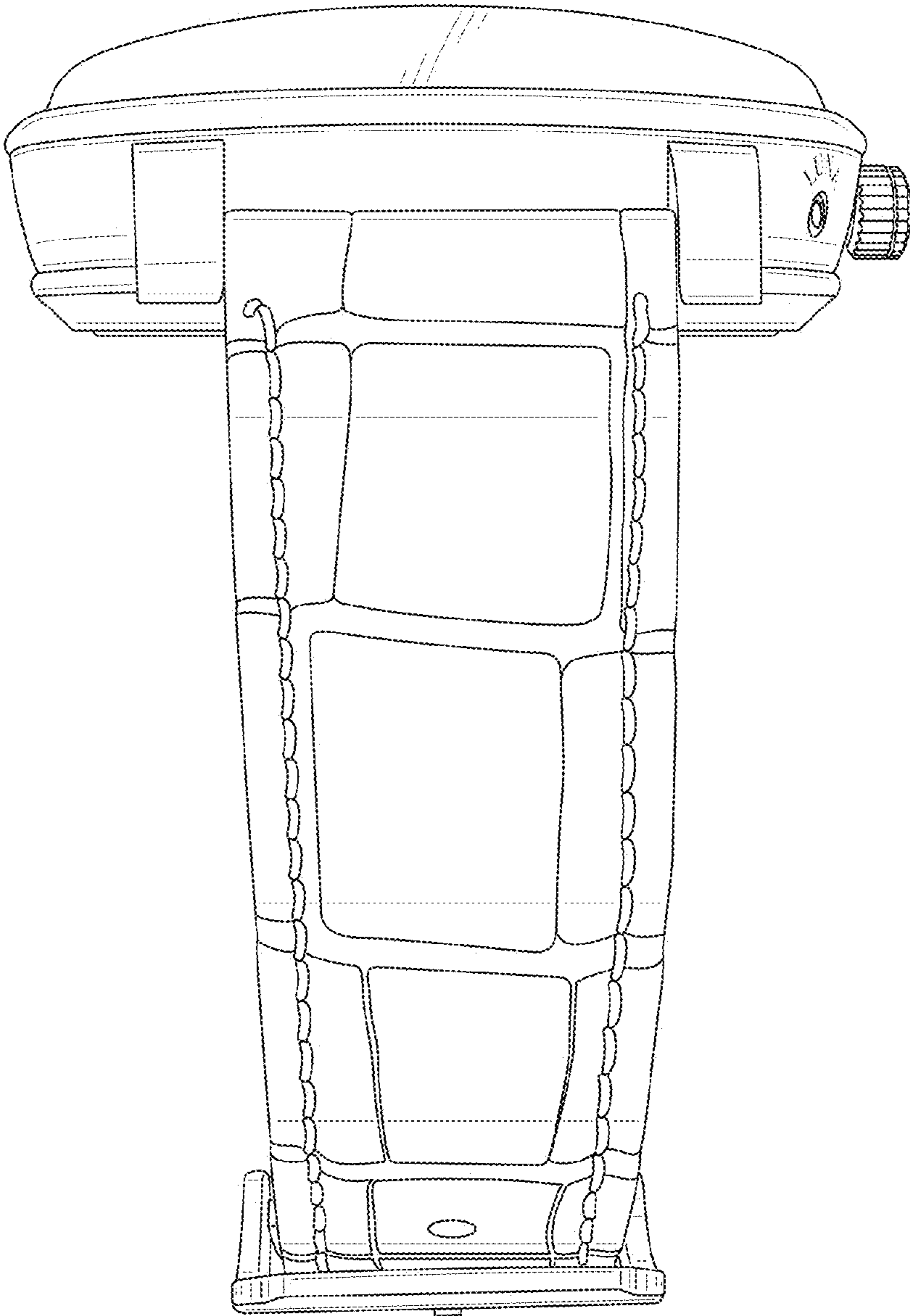


FIG. 8