



US00D705667S

(12) **United States Design Patent**
Cerrato

(10) **Patent No.:** **US D705,667 S**

(45) **Date of Patent:** **** May 27, 2014**

(54) **WATCH**

(75) **Inventor:** **Davide Cerrato**, Geneva (CH)

(73) **Assignee:** **Tudor Watch U.S.A., LLC**, New York, NY (US)

(**) **Term:** **14 Years**

(21) **Appl. No.:** **29/401,874**

(22) **Filed:** **Sep. 16, 2011**

(30) **Foreign Application Priority Data**

Mar. 16, 2011 (CH) 137820

(51) **LOC (10) Cl.** **10-02**

(52) **U.S. Cl.**

USPC **D10/32; D10/33; D10/39**

(58) **Field of Classification Search**

USPC D10/30-39, 122-132, 6; 368/276, 281, 368/282, 223, 232; D11/3

See application file for complete search history.

(56) **References Cited**

U.S. PATENT DOCUMENTS

D28,321 S *	3/1898	Dueber	D10/129
D195,421 S *	6/1963	Huguenin	D10/39
D218,342 S *	8/1970	Rice	D10/124
D277,653 S *	2/1985	Jagoe	D10/123
D291,784 S *	9/1987	Bulgari	D10/32
D302,124 S *	7/1989	Bevins	D10/2
D322,037 S *	12/1991	Takani	D10/32
D351,361 S *	10/1994	Itoh	D10/126
D352,670 S *	11/1994	Kaneko	D11/3
D391,870 S *	3/1998	Brzezinski	D10/32
D481,322 S *	10/2003	Hill	D10/128
D547,212 S *	7/2007	Dias	D10/39
D553,041 S *	10/2007	Vidal	D10/124

D569,276 S *	5/2008	Scheufele	D10/39
D586,668 S *	2/2009	Dias	D10/38
D593,879 S *	6/2009	Chen	D10/32
D612,842 S *	3/2010	Anderson	D14/248
D617,662 S *	6/2010	Monachon	D10/32
D628,508 S *	12/2010	Moeller	D10/127
D630,960 S *	1/2011	Vogeli	D10/128
D632,979 S *	2/2011	Chastaingt	D10/38
D649,890 S *	12/2011	Favre	D10/38

OTHER PUBLICATIONS

Wristwatch Annual, The Catalog of Producers, Prices, Models, and Specifications, 2007, Abbeville Press Publishers, p. 228, Glashutte Original Prima Vera watch.*

Hong Kong Watches and Clocks, vol. 3, 2006, p. 103, Standard Industrial Co. Watch, 5th watch from the left at the top of the page.*

Hong Kong Watches and Clocks, vol. 2, 2005, p. 106, Larmes watch.*

* cited by examiner

Primary Examiner — Lucy Lieberman

(74) *Attorney, Agent, or Firm* — Sughrue Mion, PLLC

(57) **CLAIM**

The ornamental design for a watch, as shown and described.

DESCRIPTION

FIG. 1 is a right-top perspective view of the watch;

FIG. 2 is a top view of the watch;

FIG. 3 is a bottom view of the watch;

FIG. 4 is a right side view of the watch;

FIG. 5 is a left side view of the watch;

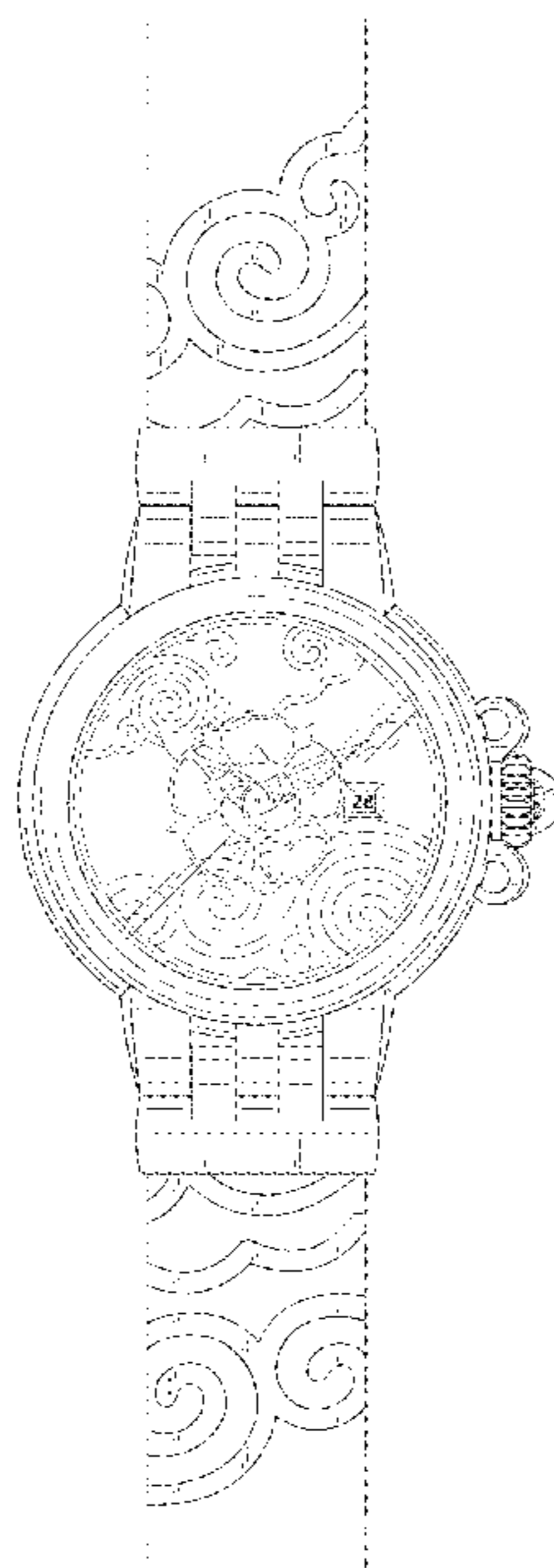
FIG. 6 is a front view of the watch;

FIG. 7 is a rear view of the watch; and,

FIG. 8 is a bottom perspective view of the watch.

The broken lines in the drawings are used to show unclaimed portions of the watch band.

1 Claim, 7 Drawing Sheets



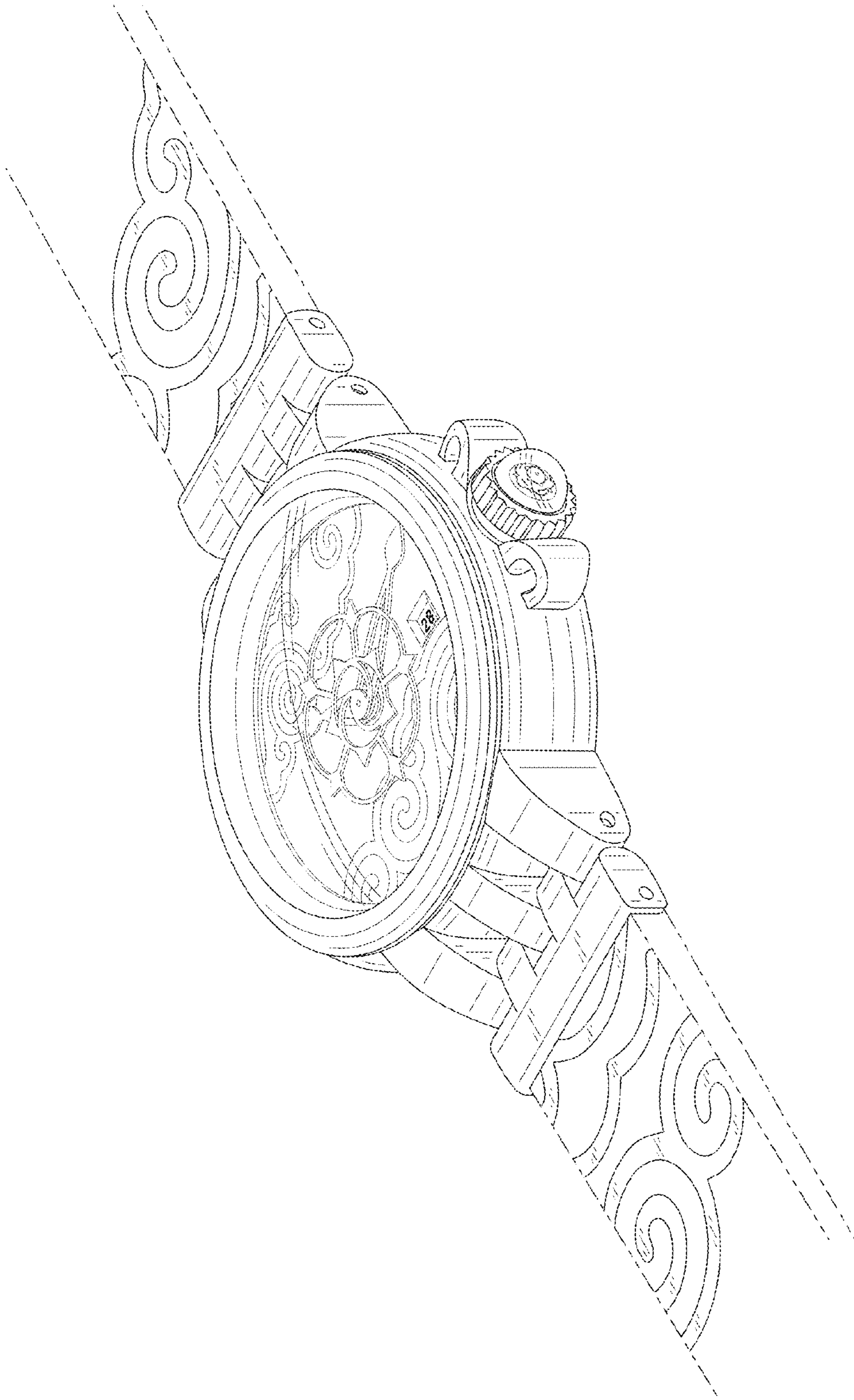


FIG. 1

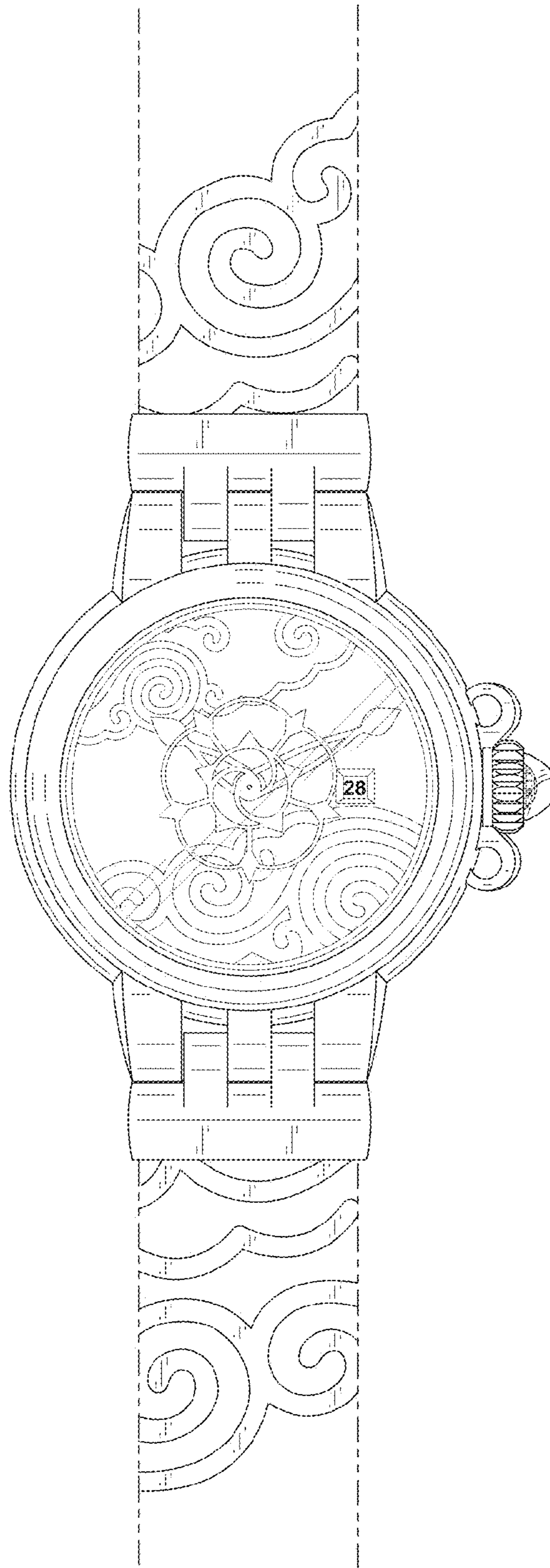


FIG. 2

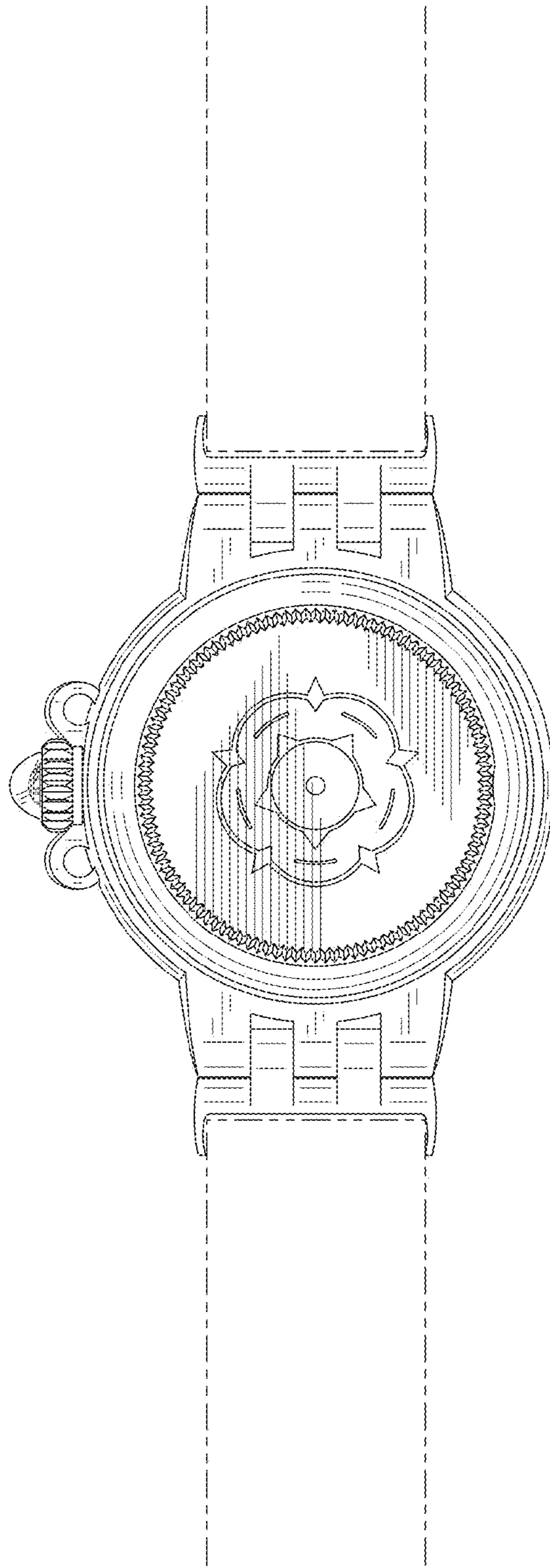


FIG. 3

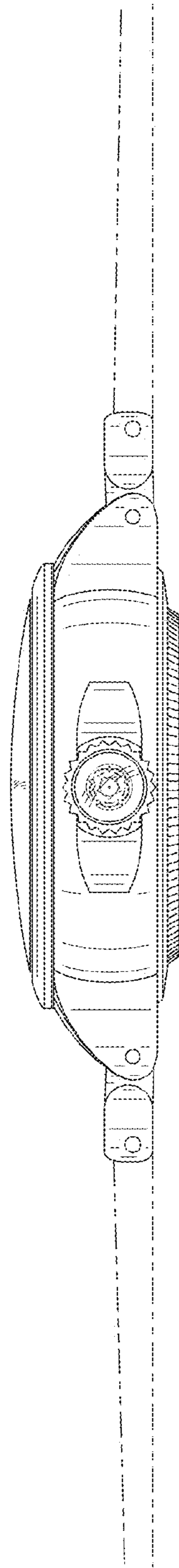


FIG. 4

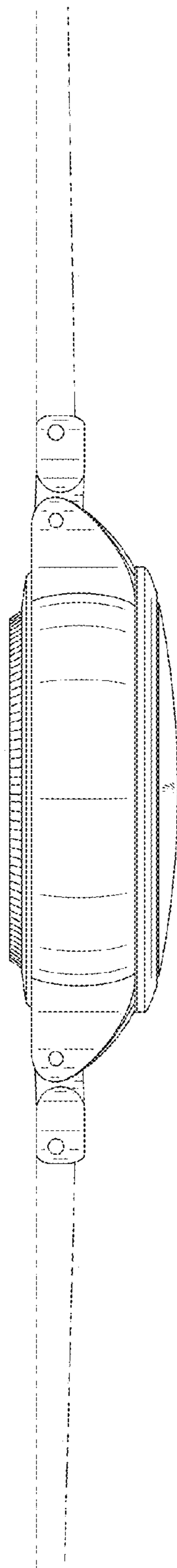


FIG. 5

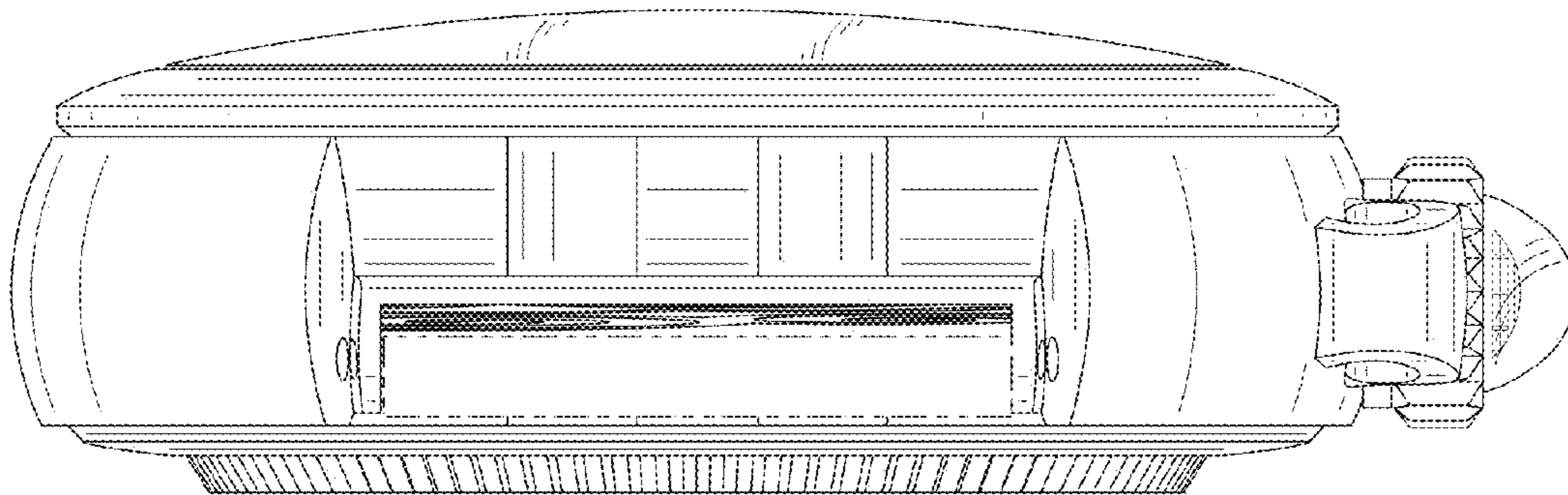


FIG. 6

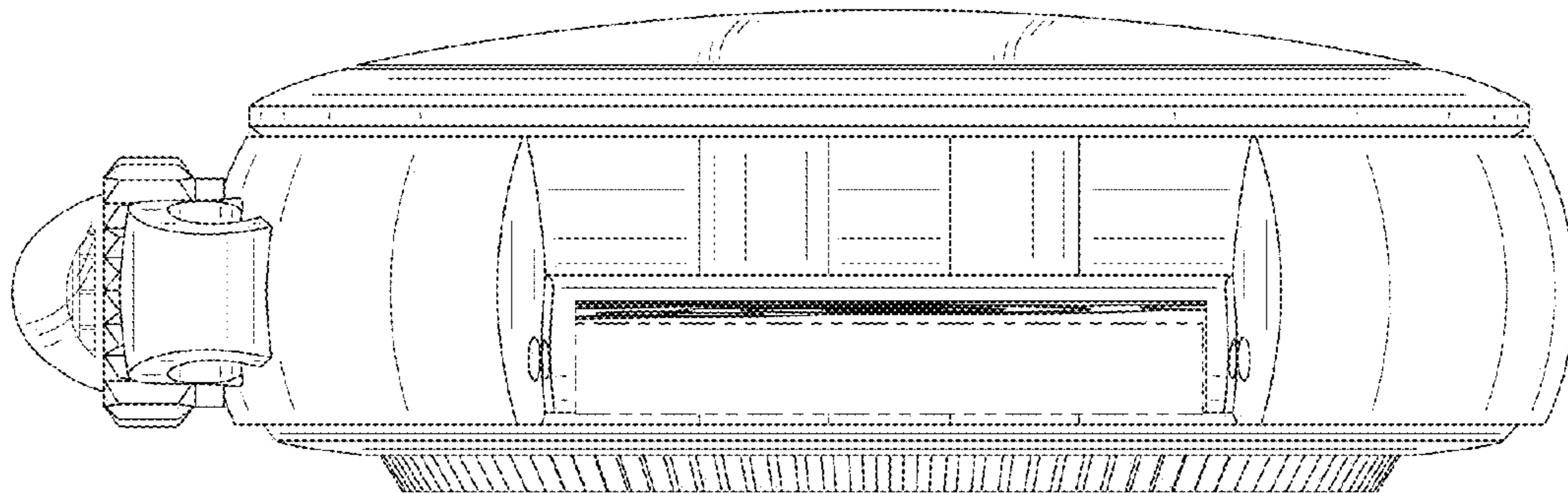


FIG. 7

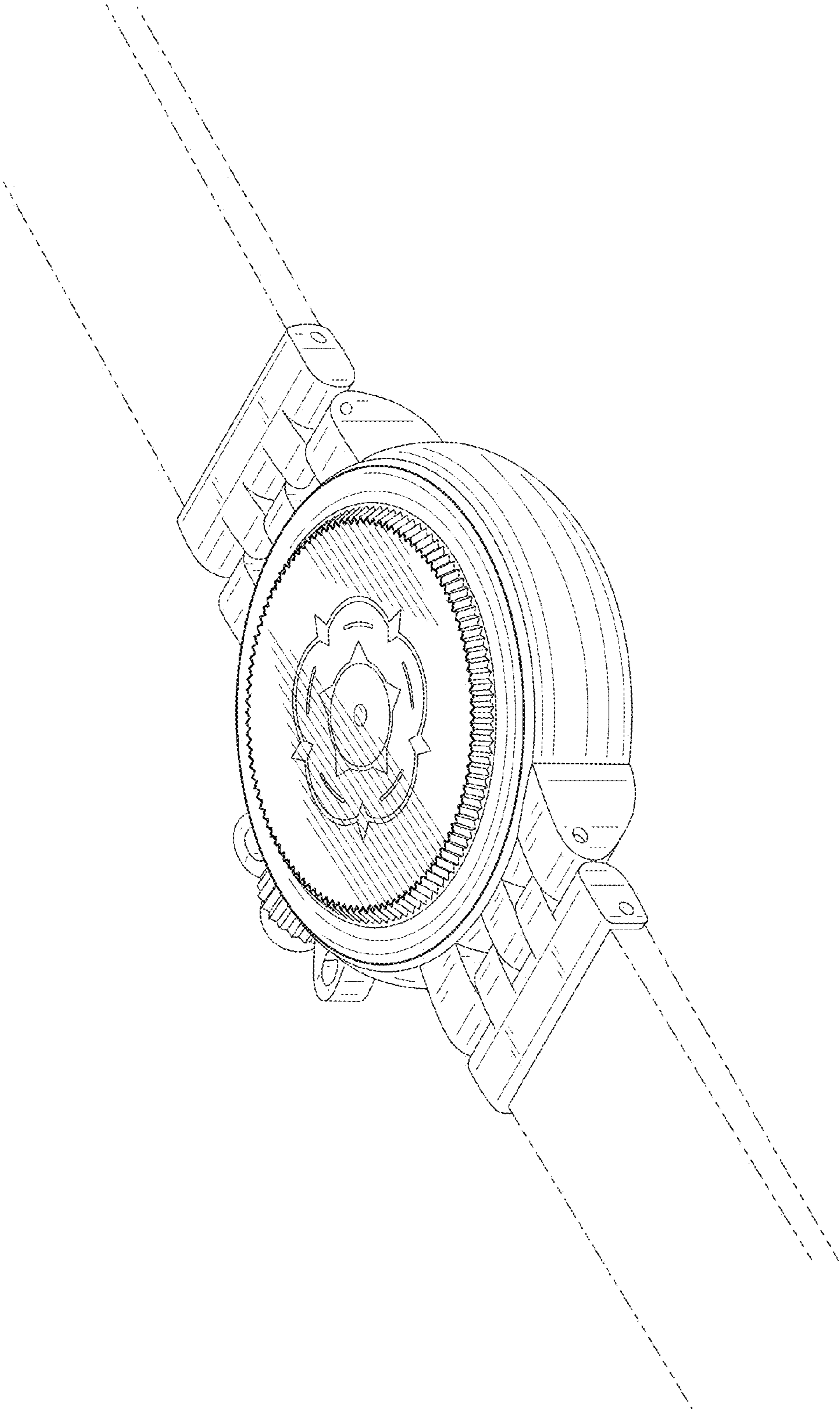


FIG. 8