



US00D705666S

(12) **United States Design Patent**
Borg et al.

(10) **Patent No.:** **US D705,666 S**

(45) **Date of Patent:** **** May 27, 2014**

(54) **SIX-PACK BOTTLE CARRIER WITH GRASPABLE LOOPS**

(71) Applicant: **Oregon Precision Industries, Inc.**, Eugene, OR (US)

(72) Inventors: **Zakary James Borg**, Eugene, OR (US); **Ronald Lee Mellor, Jr.**, Springfield, OR (US)

(73) Assignee: **Oregon Precision Industries, Inc.**, Eugene, OR (US)

(**) Term: **14 Years**

(21) Appl. No.: **29/467,910**

(22) Filed: **Sep. 25, 2013**

(51) **LOC (10) Cl.** **09-03**

(52) **U.S. Cl.**
USPC **D9/752**

(58) **Field of Classification Search**
USPC D9/750, 751, 752, 753, 754, 455, 456;
D3/315; 206/150, 151, 159, 160, 161,
206/199, 821, 200, 145, 216, 164, 430, 503,
206/509, 427, 206; 294/87.2, 87.28, 159
See application file for complete search history.

(56) **References Cited**

U.S. PATENT DOCUMENTS

2,865,669	A	*	12/1958	Linthicum	294/87.2
D192,893	S	*	5/1962	Brunsing	D9/752
D194,199	S	*	12/1962	Poupitch	D9/752
D197,356	S	*	1/1964	De Shazor, Jr.	D9/752
D197,357	S	*	1/1964	De Shazor, Jr.	D9/752
D197,358	S	*	1/1964	De Shazor, Jr.	D9/752
D199,284	S	*	9/1964	Petrone et al.	D9/752
3,268,070	A	*	8/1966	Cunningham	206/150
D237,465	S	*	11/1975	Calvert	D9/752
D237,466	S	*	11/1975	Calvert	D9/752
D237,589	S	*	11/1975	Calvert	D9/752
D238,146	S	*	12/1975	Calvert	D9/752
D238,249	S	*	12/1975	Erickson	D9/752
D238,657	S	*	2/1976	Erickson	D9/752
4,712,680	A	*	12/1987	Panazzolo	206/427

(Continued)

Primary Examiner — Mark Goodwin

(74) *Attorney, Agent, or Firm* — Alleman Hall McCoy Russell & Tuttle LLP

(57) **CLAIM**

The ornamental design for a six-pack bottle carrier with graspable loops, as shown and described.

DESCRIPTION

FIG. 1 is a top front perspective view of an ornamental design for a six-pack bottle carrier with graspable loops according to the present invention.

FIG. 2 is a bottom rear perspective view thereof.

FIG. 3 is a top view thereof.

FIG. 4 is a front view thereof, additionally illustrating in dashed lines bottles secured within the six-pack bottle carrier with graspable loops, the back side being a mirror image thereof.

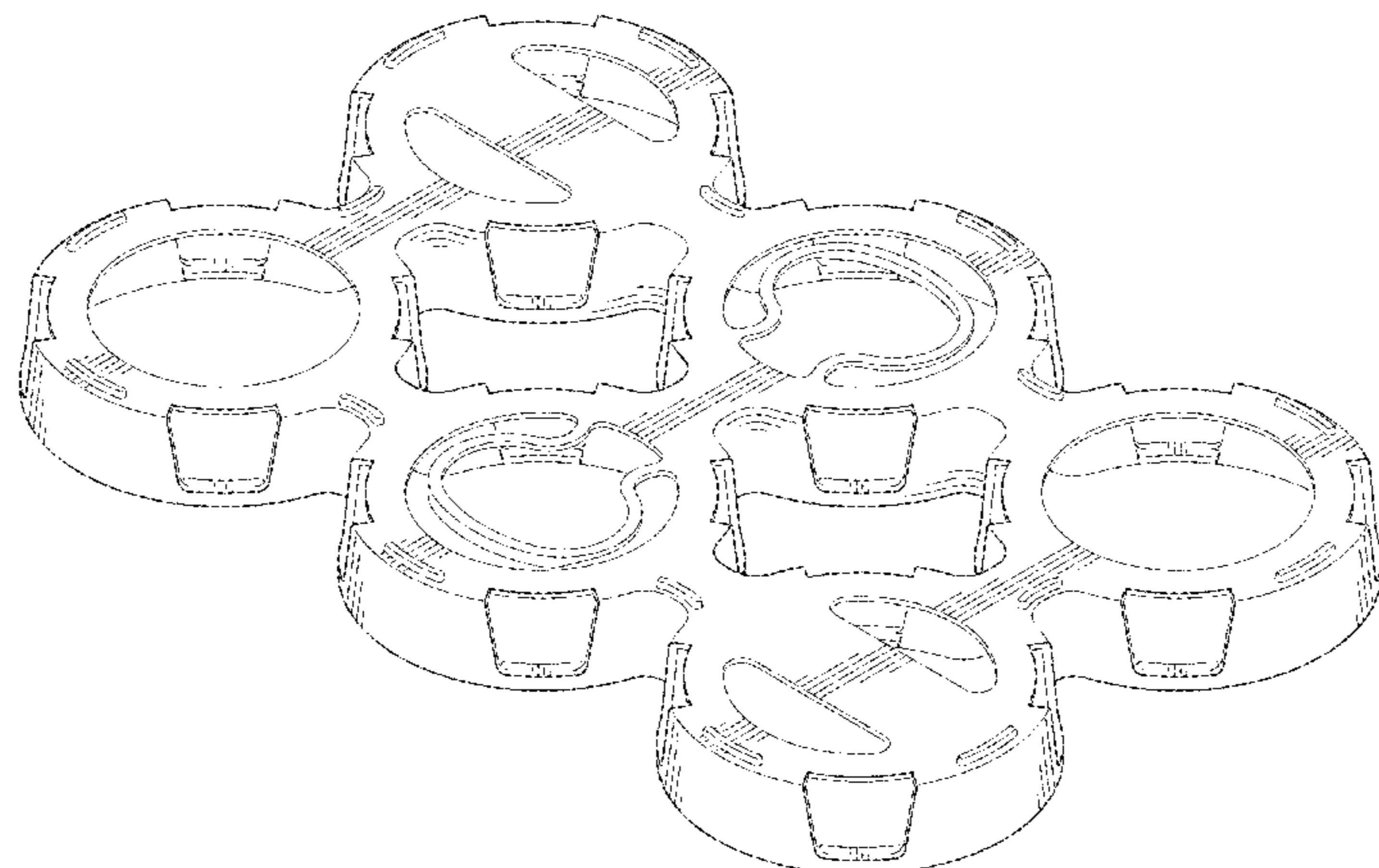
FIG. 5 is a right side view thereof, additionally illustrating in dashed lines bottles secured within the six-pack bottle carrier with graspable loops, the left side being a mirror image thereof.

FIG. 6 is a right side view thereof, additionally illustrating in dashed lines a hand lifting the six-pack bottle carrier with graspable loops by the graspable loops, as well bottles secured within the six-pack bottle carrier with graspable loops; and,

FIG. 7 is a bottom view thereof.

Dashed lines in FIG. 4 and FIG. 5 illustrate environment in the form of bottles secured within rings of the six-pack bottle carrier with graspable loops. The dashed lines illustrating the bottles in FIG. 4 and FIG. 5 form no part of the claimed design. Additional dashed lines in FIG. 6 illustrate environment in the form of a hand shown grasping loops of the six-pack bottle carrier with graspable loops, and bottles secured within rings of the six-pack bottle carrier with graspable loops. The dashed lines illustrating the hand and bottles in FIG. 5A also form no part of the claimed design.

1 Claim, 6 Drawing Sheets



(56)

References Cited

U.S. PATENT DOCUMENTS

D294,331 S *	2/1988	Panazzolo	D9/752	D405,687 S *	2/1999	Borg	D9/752
4,823,959 A *	4/1989	Bixler	206/562	D408,277 S *	4/1999	Erickson	D9/752
D310,027 S *	8/1990	Bixler	D9/752	D412,663 S *	8/1999	Erickson	D9/752
D329,807 S *	9/1992	Heider	D9/752	D413,800 S *	9/1999	Caparros et al.	D9/752
5,188,413 A *	2/1993	Nathan	294/87.2	D502,406 S *	3/2005	Eddings	D9/752
D348,002 S *	6/1994	Jones	D3/316	D505,083 S *	5/2005	Tabeshnekoo	D9/752
D349,459 S *	8/1994	Borg	D9/455	7,588,275 B2 *	9/2009	Borg	294/87.2
D350,695 S *	9/1994	Adami et al.	D3/316	D628,348 S *	11/2010	Chao	D30/199
D354,227 S *	1/1995	Adami et al.	D9/752	7,823,943 B2 *	11/2010	Borg	294/87.2
D356,733 S *	3/1995	Adami et al.	D9/752	7,861,853 B2 *	1/2011	Borg	206/151
D360,362 S *	7/1995	Strong	D9/455	D653,560 S *	2/2012	Smithers	D9/752
					2005/0167289 A1 *	8/2005	Borg	206/151
					2007/0296231 A1 *	12/2007	Borg	294/87.2

* cited by examiner

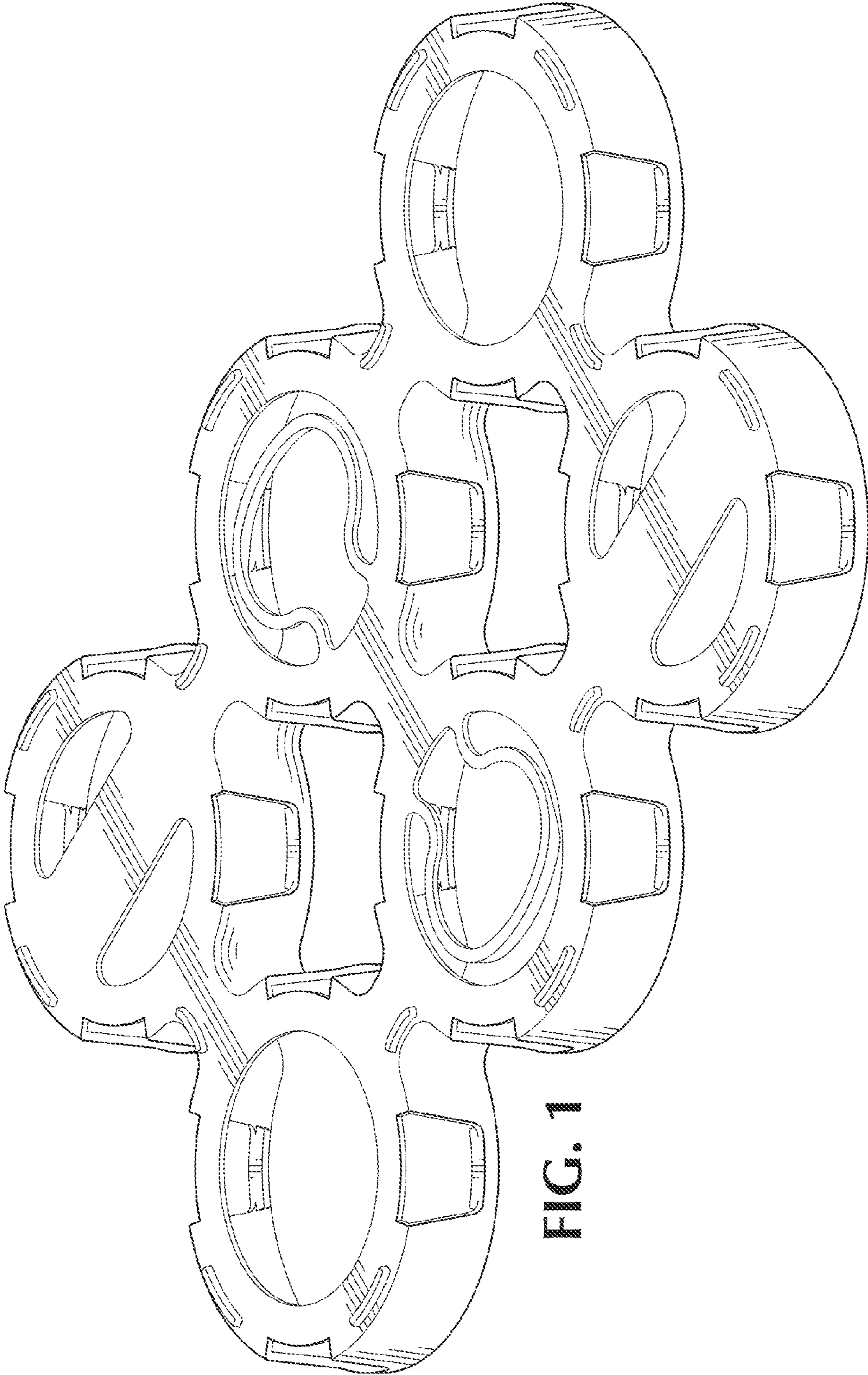


FIG. 1

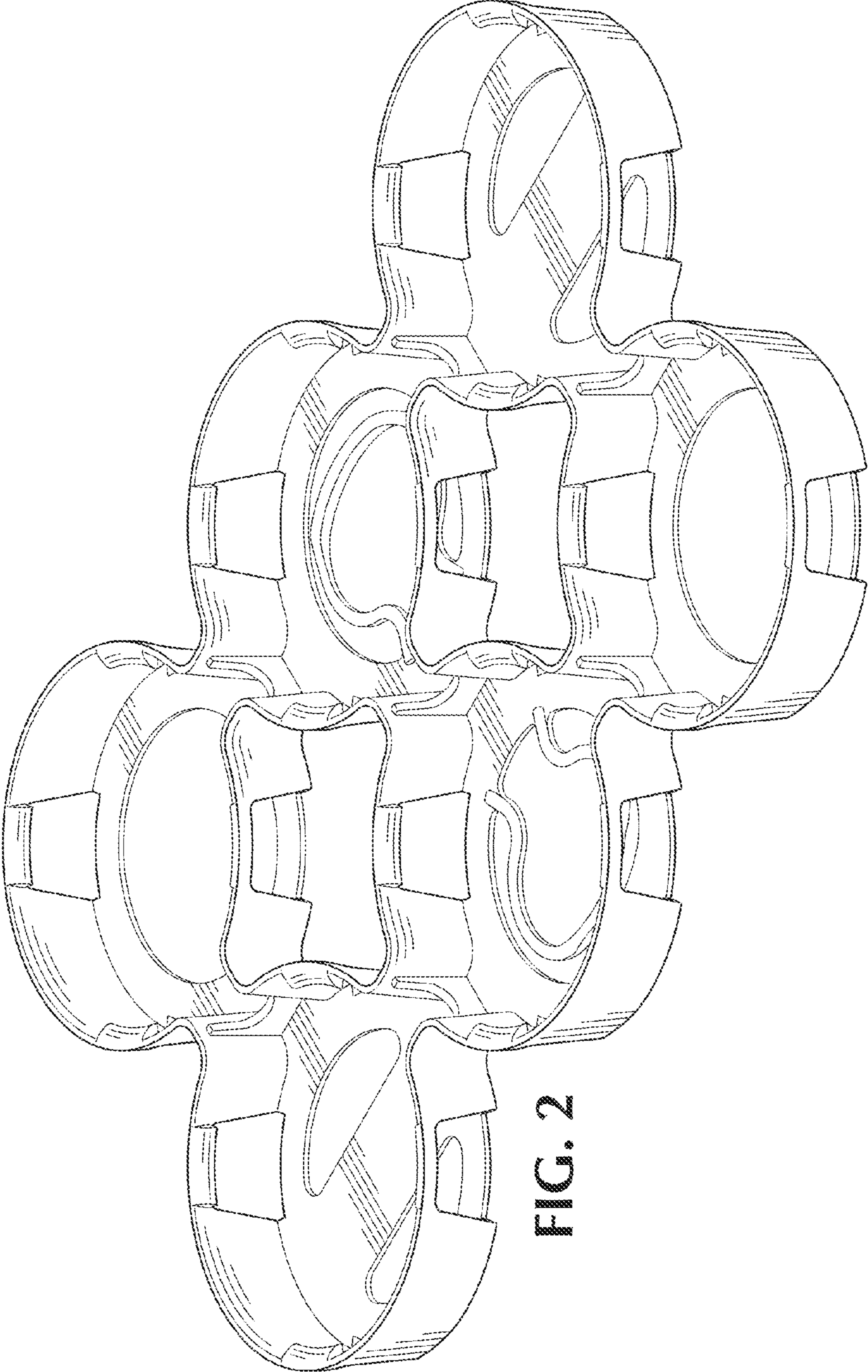


FIG. 2

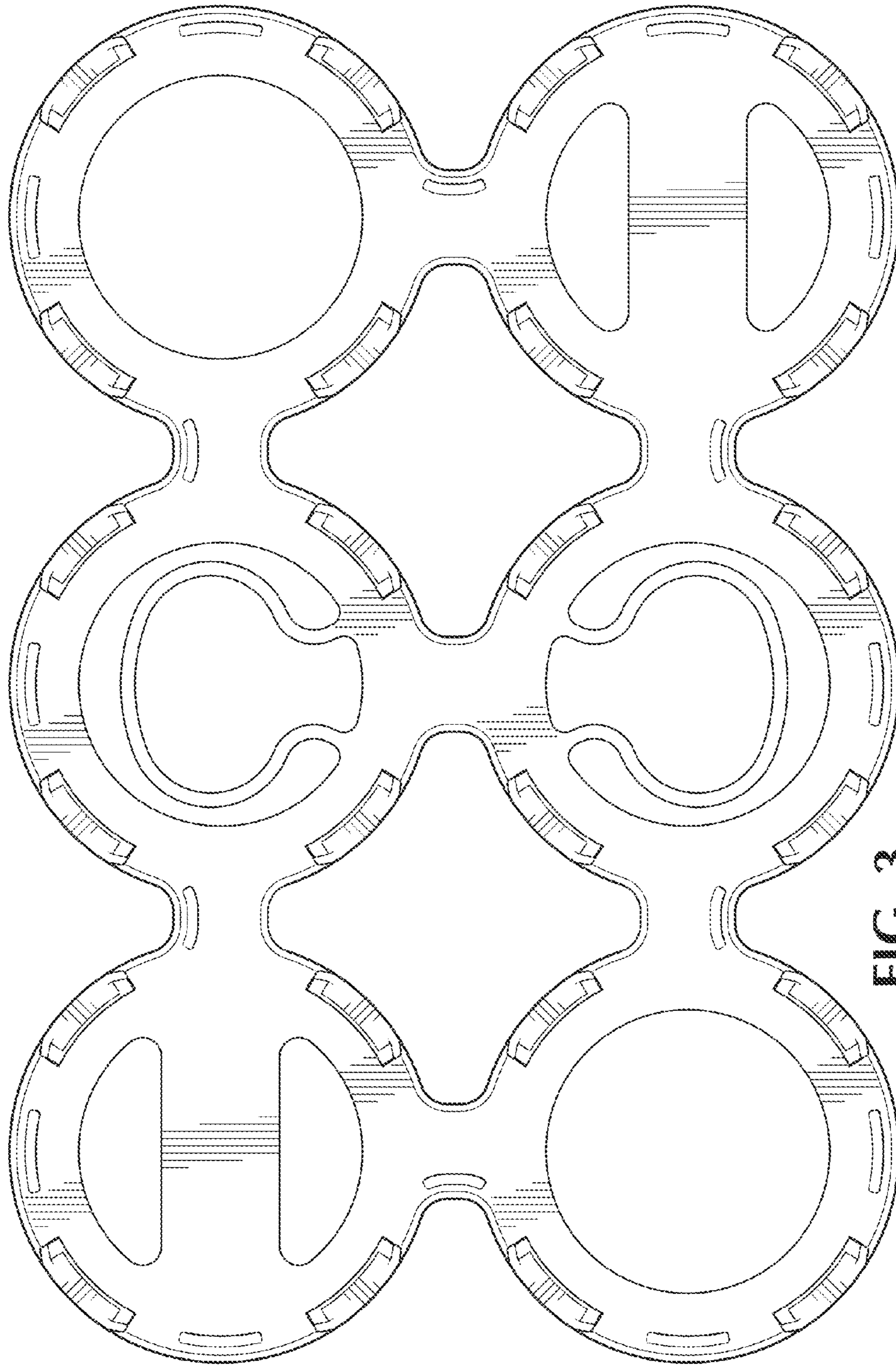


FIG. 3

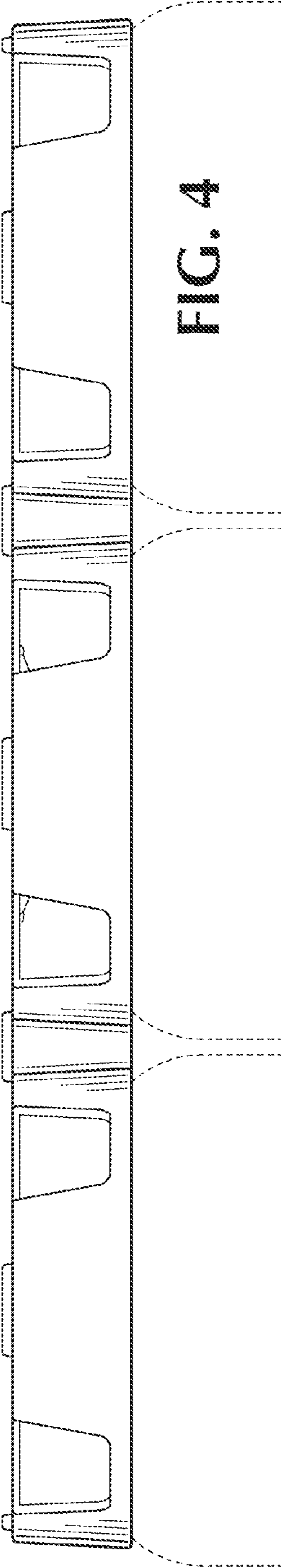


FIG. 4

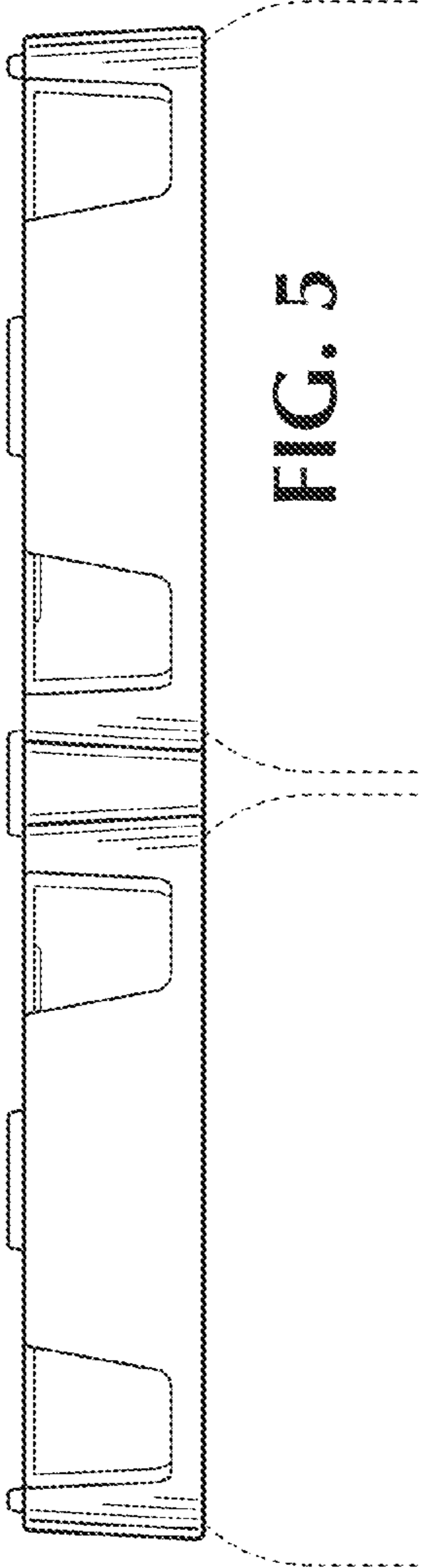
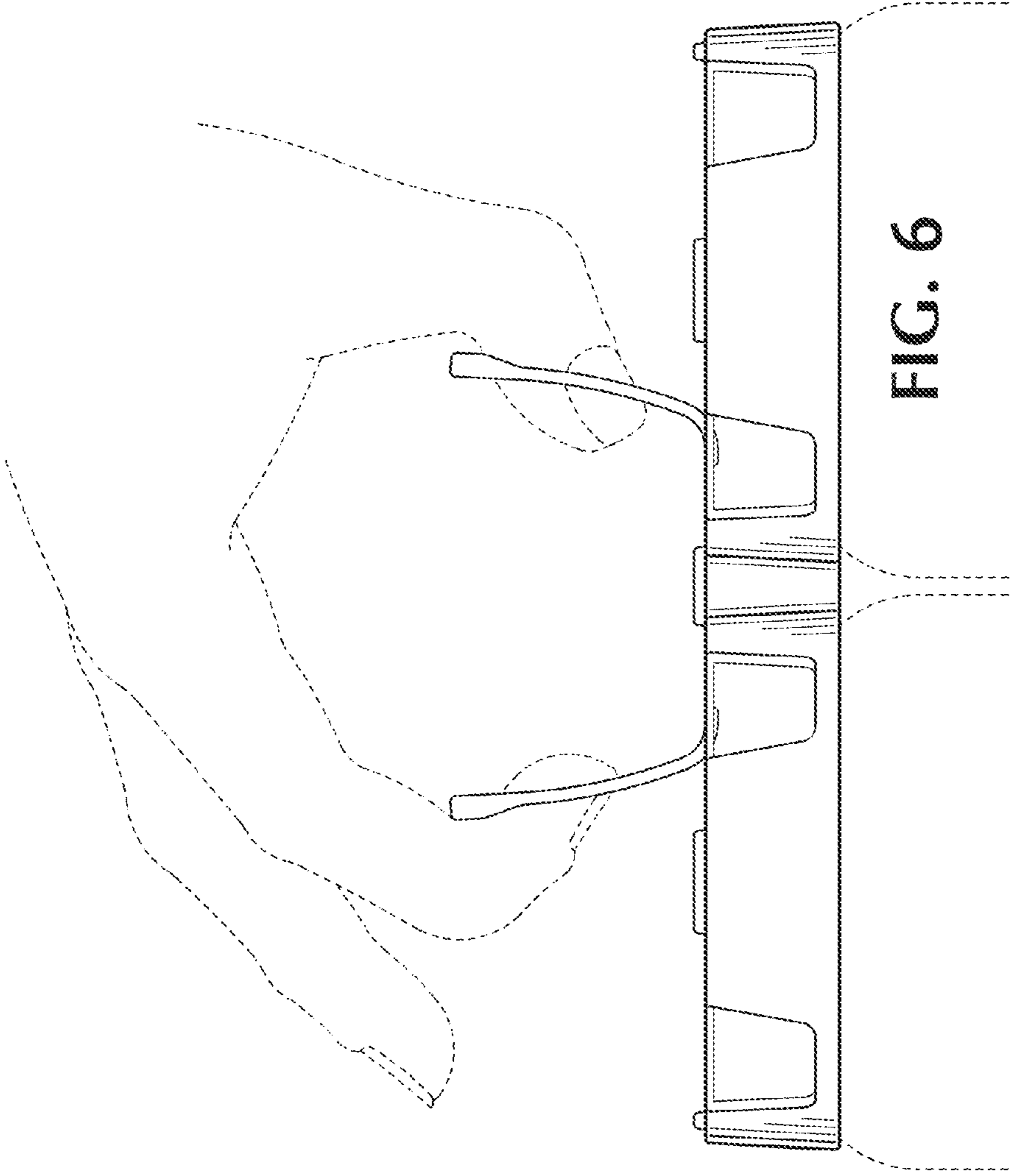


FIG. 5



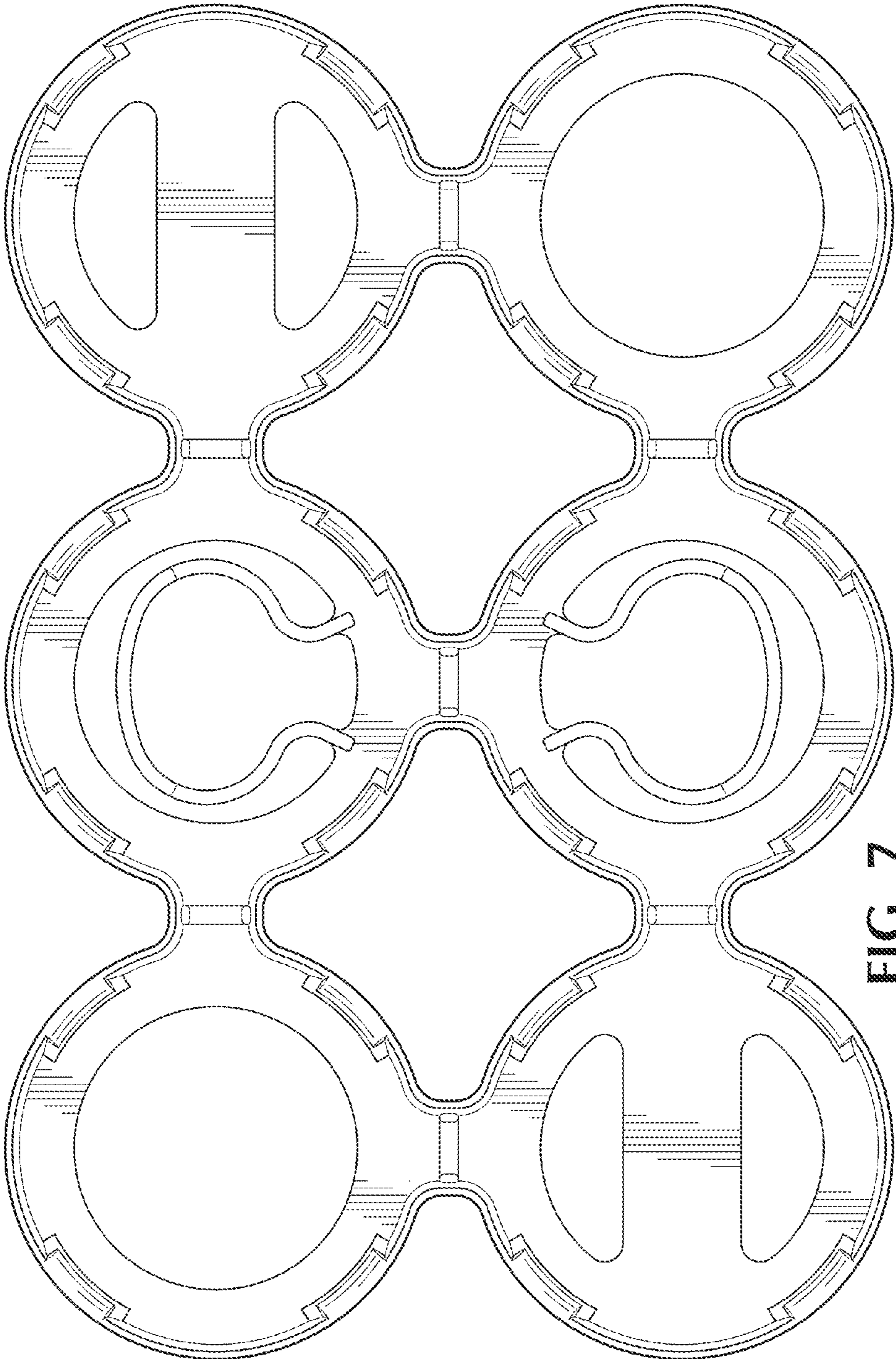


FIG. 7