



US00D705665S

(12) **United States Design Patent**
Shafer

(10) **Patent No.:** **US D705,665 S**

(45) **Date of Patent:** **** May 27, 2014**

(54) **CONTAINER**

(75) **Inventor:** **Adam Robert-George Shafer,**
Cincinnati, OH (US)

(73) **Assignee:** **The Procter & Gamble Company,**
Cincinnati, OH (US)

(**) **Term:** **14 Years**

(21) **Appl. No.:** **29/424,660**

(22) **Filed:** **Jun. 14, 2012**

(51) **LOC (10) Cl.** **09-01**

(52) **U.S. Cl.**
USPC **D9/690**

(58) **Field of Classification Search**
USPC D9/682-694, 719, 503, 504, 772-781,
D9/516, 517, 520, 526, 549, 434-436, 443,
D9/445, 447-450; 215/379, 382;
220/669-675, 915; 222/153.01,
222/153.04, 153.09, 153.1, 153.11, 153.12,
222/153.13, 153.14, 631, 635, 321.1,
222/321.6-322, 325-327, 372, 378, 379,
222/382, 383.1, 398, 400.7, 401, 402,
222/402.1-402.25, 173, 181.1-185
See application file for complete search history.

(56) **References Cited**

U.S. PATENT DOCUMENTS

- 2,573,624 A * 10/1951 Svendsen 239/337
- 3,066,838 A * 12/1962 Hansen 222/402.13
- 3,312,723 A * 4/1967 Anderson et al. 222/402.13
- D216,952 S * 3/1970 Trupp et al. D9/448
- 3,558,019 A * 1/1971 Hug 222/402.22
- 3,854,632 A * 12/1974 Smrt 222/182
- 3,884,399 A * 5/1975 Matern 222/402.13
- D279,166 S * 6/1985 Tada D9/692
- D307,648 S * 5/1990 Arrington D29/126
- D342,809 S * 12/1993 Thomas D29/126
- D351,337 S * 10/1994 Bonnema et al. D9/690
- D352,004 S * 11/1994 Bikoff et al. D9/503
- D357,177 S * 4/1995 Labus D9/690

- 5,915,599 A * 6/1999 Takahashi 222/402.13
- 7,341,056 B1 * 3/2008 Tucker 128/200.14
- D636,272 S * 4/2011 Pearson et al. D9/685
- D668,151 S * 10/2012 Abbondanzio et al. D9/447
- D669,365 S * 10/2012 Hanai et al. D9/690
- 8,544,696 B2 * 10/2013 Willemsen et al. 222/181.3
- 2011/0139810 A1 * 6/2011 Lee 222/1

FOREIGN PATENT DOCUMENTS

- GB 1048616 * 9/1988
- GB 1058242 * 10/1989
- GB 2051002 * 2/1996
- GB 2084433 * 8/1999

(Continued)

OTHER PUBLICATIONS

Products shown on webpage <http://web.archive.org/web/20081203193752/http://www.berryplastics.com/catalog/products/>
overcap Original display date: Dec. 3, 2008.*

(Continued)

Primary Examiner — Catherine Tuttle
(74) *Attorney, Agent, or Firm* — Larry L. Huston; Steven W. Miller

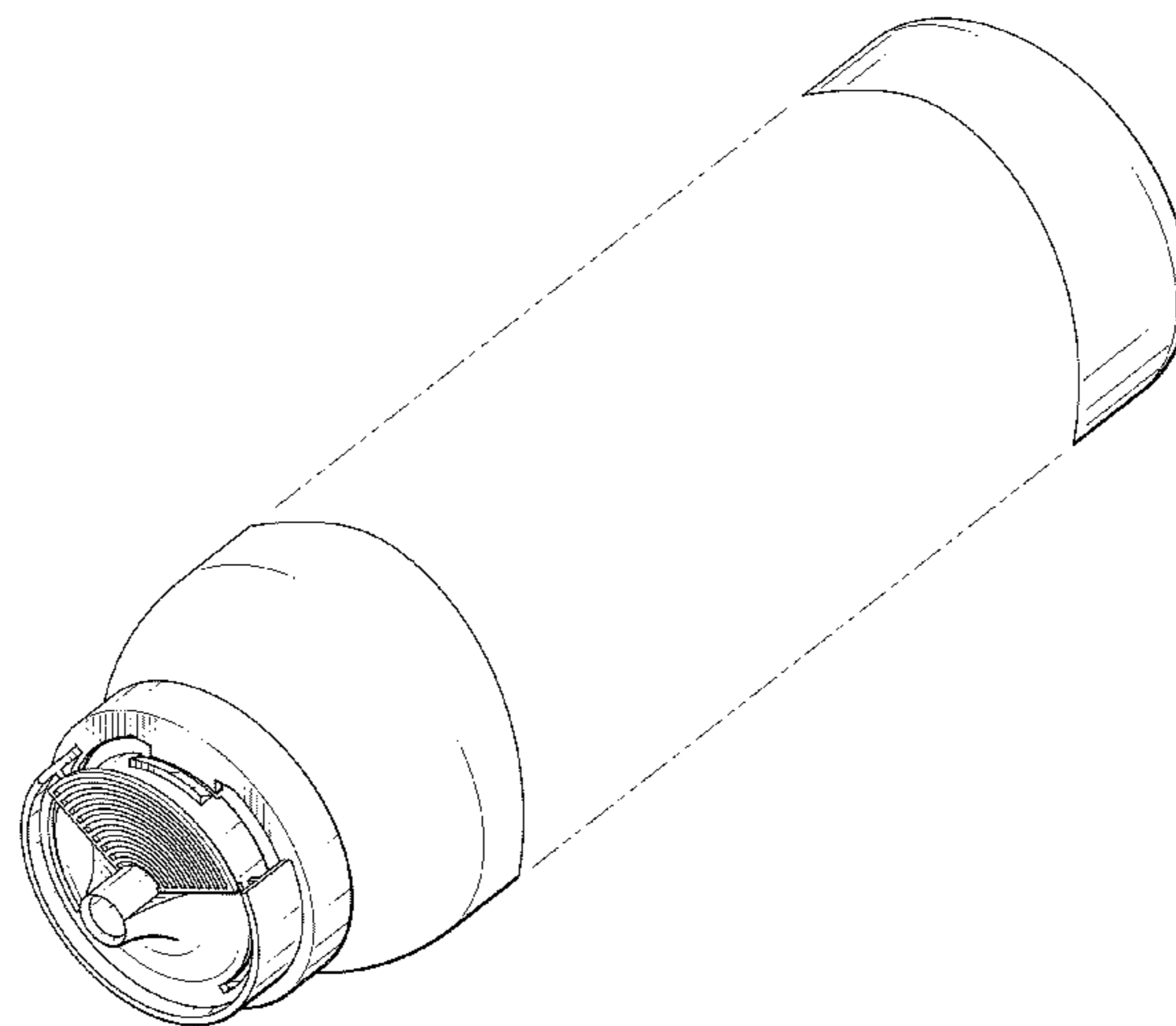
(57) **CLAIM**

The ornamental design for a container, as shown and described.

DESCRIPTION

FIG. 1 is a perspective view of the container showing my new design;
FIG. 2 is a right side view thereof;
FIG. 3 is a left side view thereof;
FIG. 4 is a front view thereof;
FIG. 5 is a rear view thereof;
FIG. 6 is a top view; and,
FIG. 7 is a bottom view thereof.
The broken lines shown in the drawings are for illustrative purposes only and form no part of the claimed design.

1 Claim, 4 Drawing Sheets



(56)

References Cited

FOREIGN PATENT DOCUMENTS

WO D042659-001 * 3/1998
WO D053009-001 * 11/2000
WO D071650-005 * 4/2009

OTHER PUBLICATIONS

Vertical actuator shown on webpage <http://web.archive.org/web/20090915222435/http://www.precisionglobal.com/en/products/catalog/show/47> Original display date: Sep. 15, 2009.*

Vulcan Total Release Vertical Actuator shown on webpage: <http://web.archive.org/web/20090915222115/http://www.precisionglobal.com/en/products/catalog/show/22> Original Display date: Sep. 15, 2009.*

U.S. Appl. No. 29/450,926, filed Mar. 26, 2013, Adam Robert-George Shafer.

<http://www.bettymills.com/shop/featured/ChaseProducts.html>;
downloaded Jan. 10, 2013; 2 pages.

http://www.cclcontainer.com/products/aluminum_aerosol.html;
downloaded May 10, 2013; 1 page.

* cited by examiner

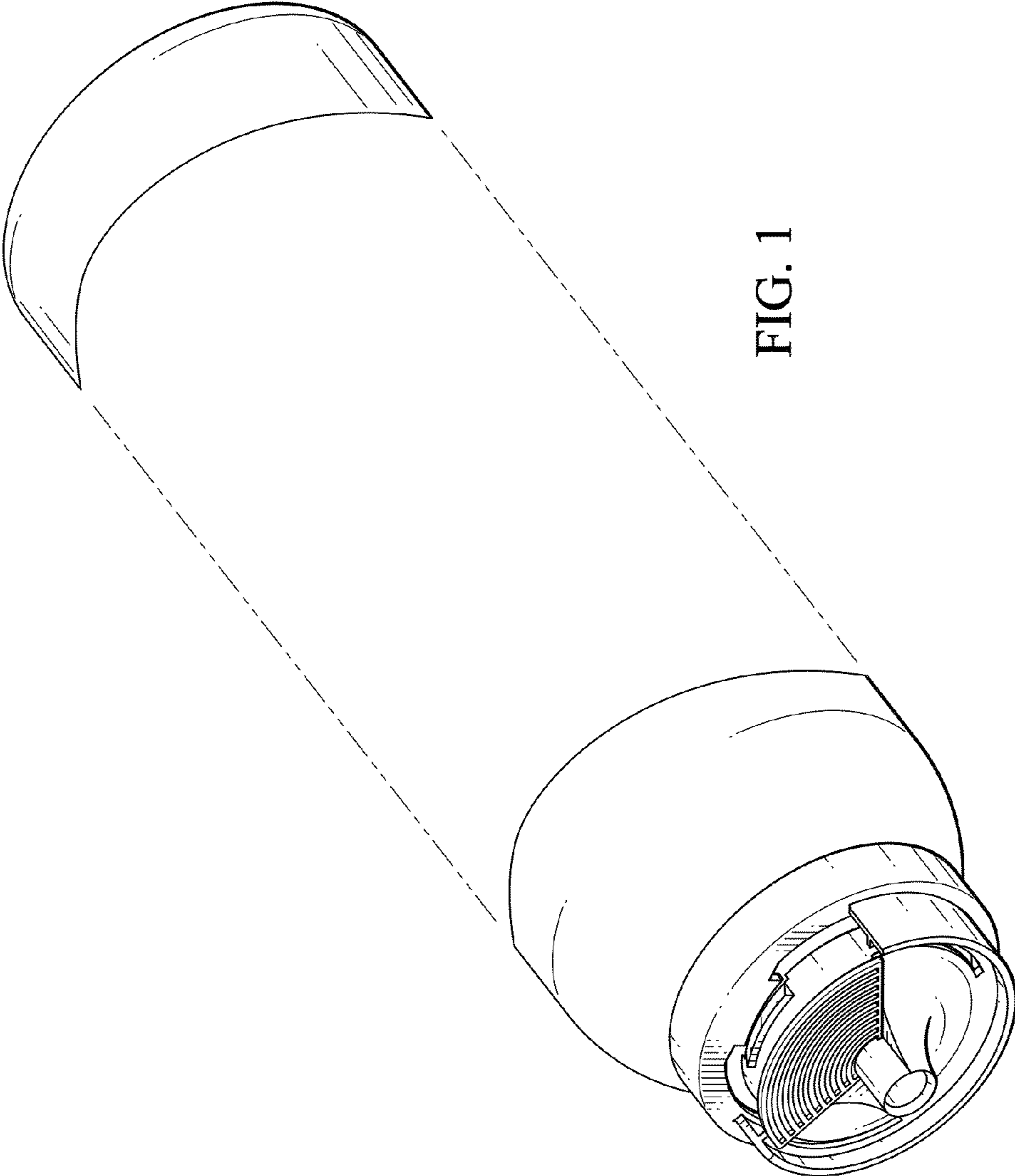


FIG. 1

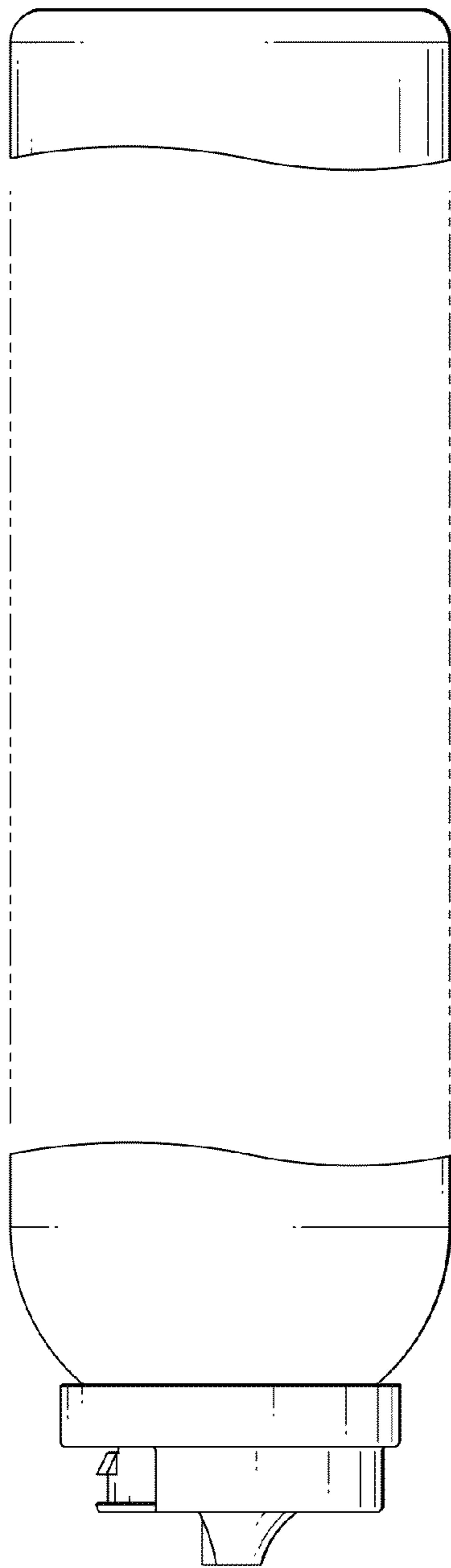


FIG. 2

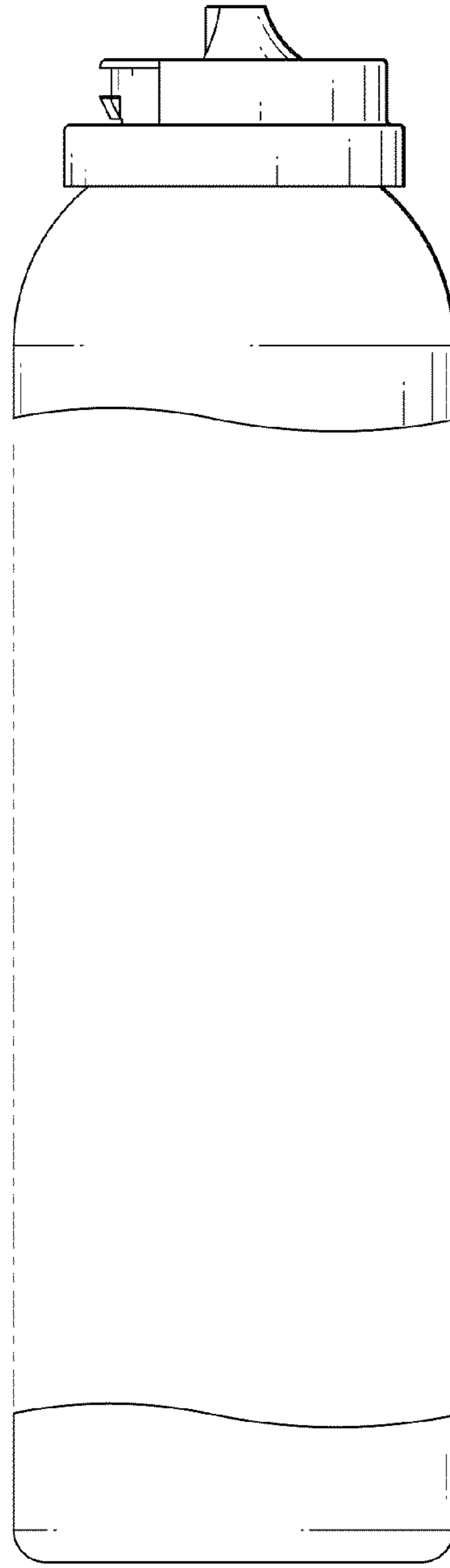
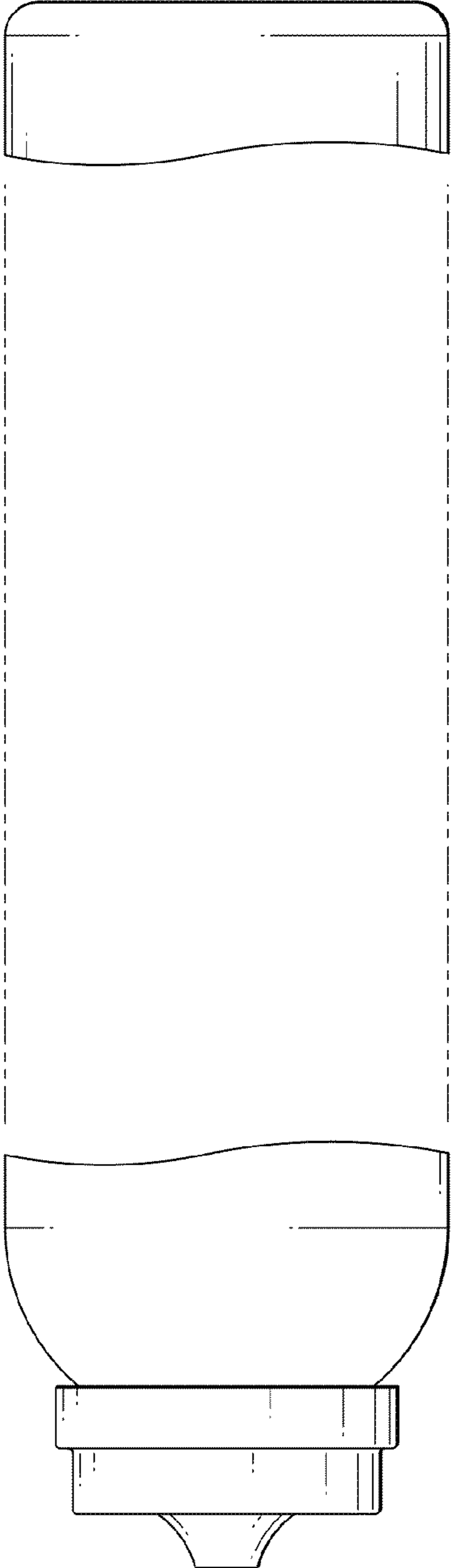
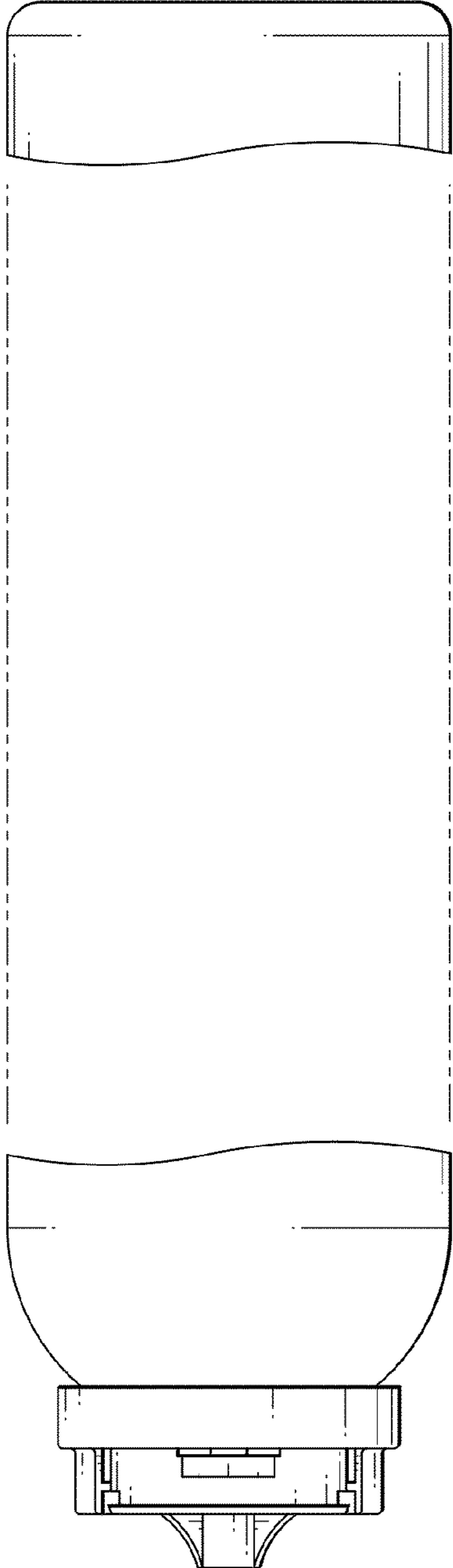


FIG. 3



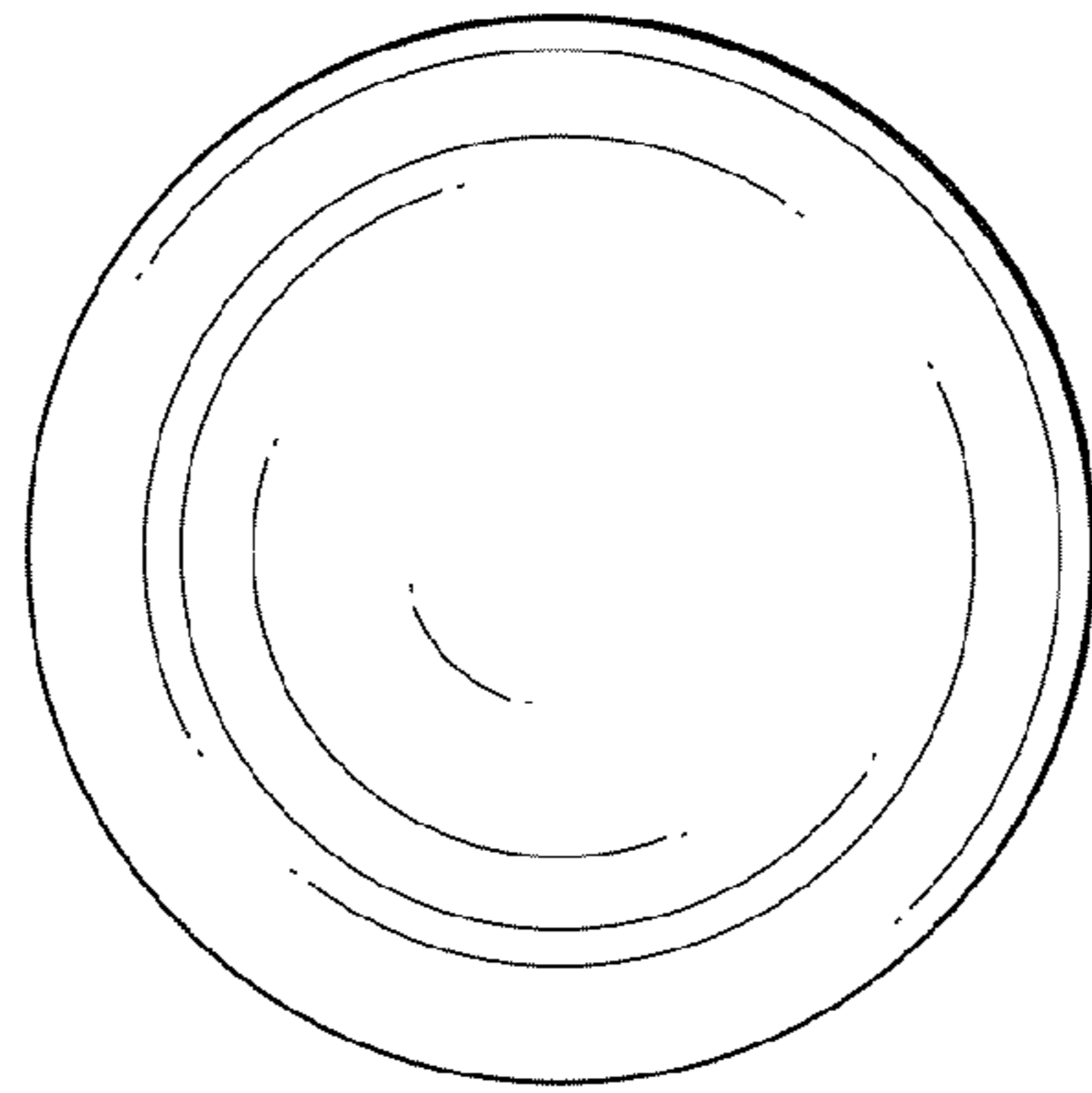


FIG. 6

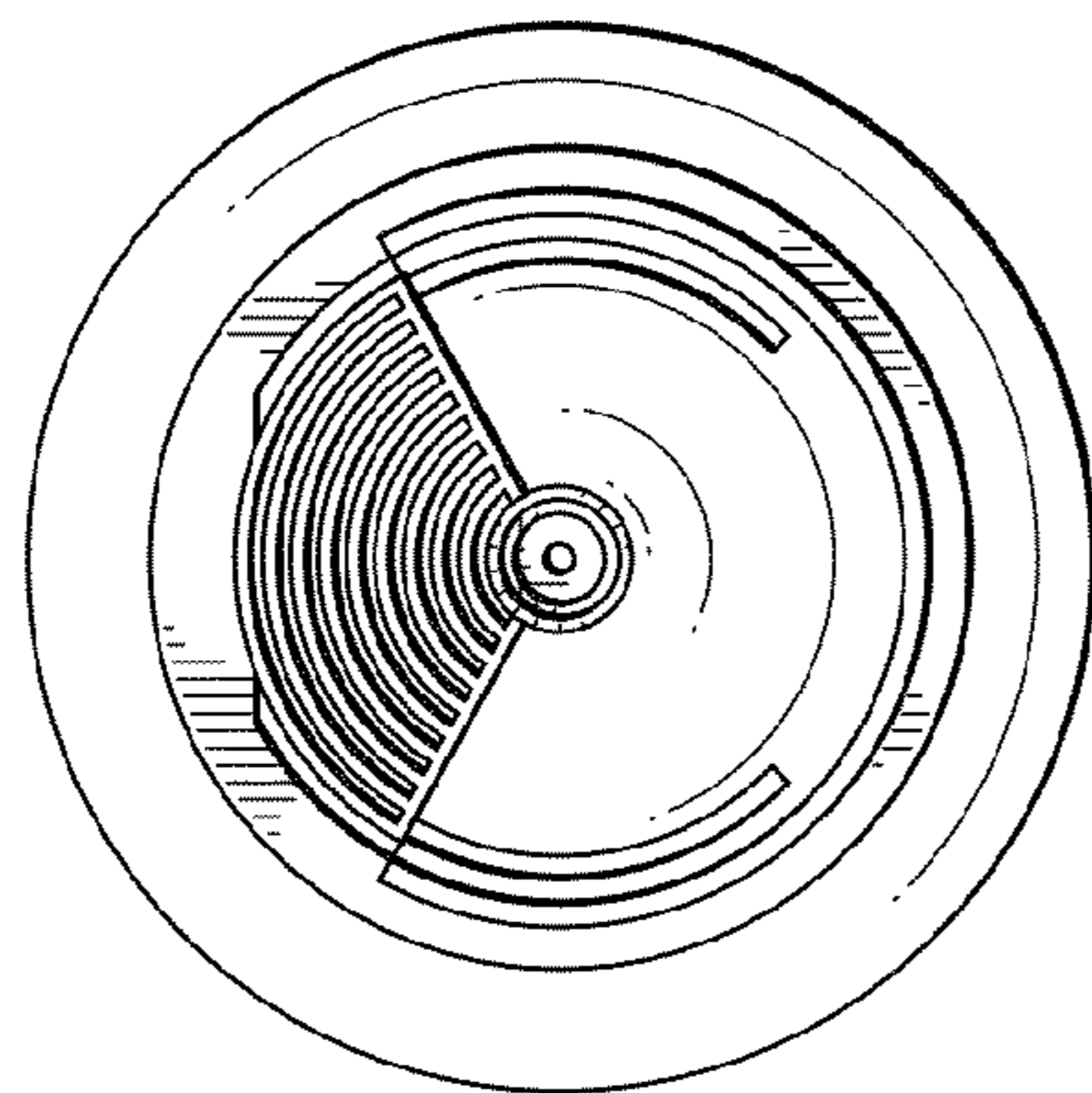


FIG. 7