



US00D705663S

(12) **United States Design Patent**
Guichot

(10) **Patent No.:** **US D705,663 S**

(45) **Date of Patent:** **** May 27, 2014**

(54) **PERFUME BOTTLE**

(71) Applicant: **Balenciaga**, Paris (FR)

(72) Inventor: **Isabelle Guichot**, Paris (FR)

(73) Assignee: **Balenciaga**, Paris (FR)

(**) Term: **14 Years**

(21) Appl. No.: **29/440,817**

(22) Filed: **Dec. 27, 2012**

(30) **Foreign Application Priority Data**

Sep. 26, 2012 (EM) 002109587-0002

(51) **LOC (10) Cl.** **09-01**

(52) **U.S. Cl.**

USPC **D9/544**; D9/546; D9/573

(58) **Field of Classification Search**

USPC D9/544, 500, 503-505, 516, 529,
D9/545-546, 559-560, 563, 558, 572-574,
D9/432, 435, 439, 686-687, 694; 215/379,
215/381-382; 220/660, 662, 665, 669

See application file for complete search history.

(56) **References Cited**

U.S. PATENT DOCUMENTS

D60,472 S *	2/1922	Smith	D9/573
D104,649 S *	5/1937	Black	D9/573
D244,579 S *	6/1977	Dinand	D9/563
D272,603 S *	2/1984	Dinand	D9/544
D536,259 S *	2/2007	Herrmann	D9/573
D542,670 S *	5/2007	Herrmann	D9/560
D574,257 S *	8/2008	Zeidan	D9/694
D587,596 S *	3/2009	Lloyd	D9/694
D604,629 S *	11/2009	Aebi	D9/544
D619,470 S *	7/2010	Zeidan	D9/544
D646,581 S *	10/2011	Baron	D9/573

* cited by examiner

Primary Examiner — Wan Laymon

(74) *Attorney, Agent, or Firm* — Donald J. Ranft; Collen IP

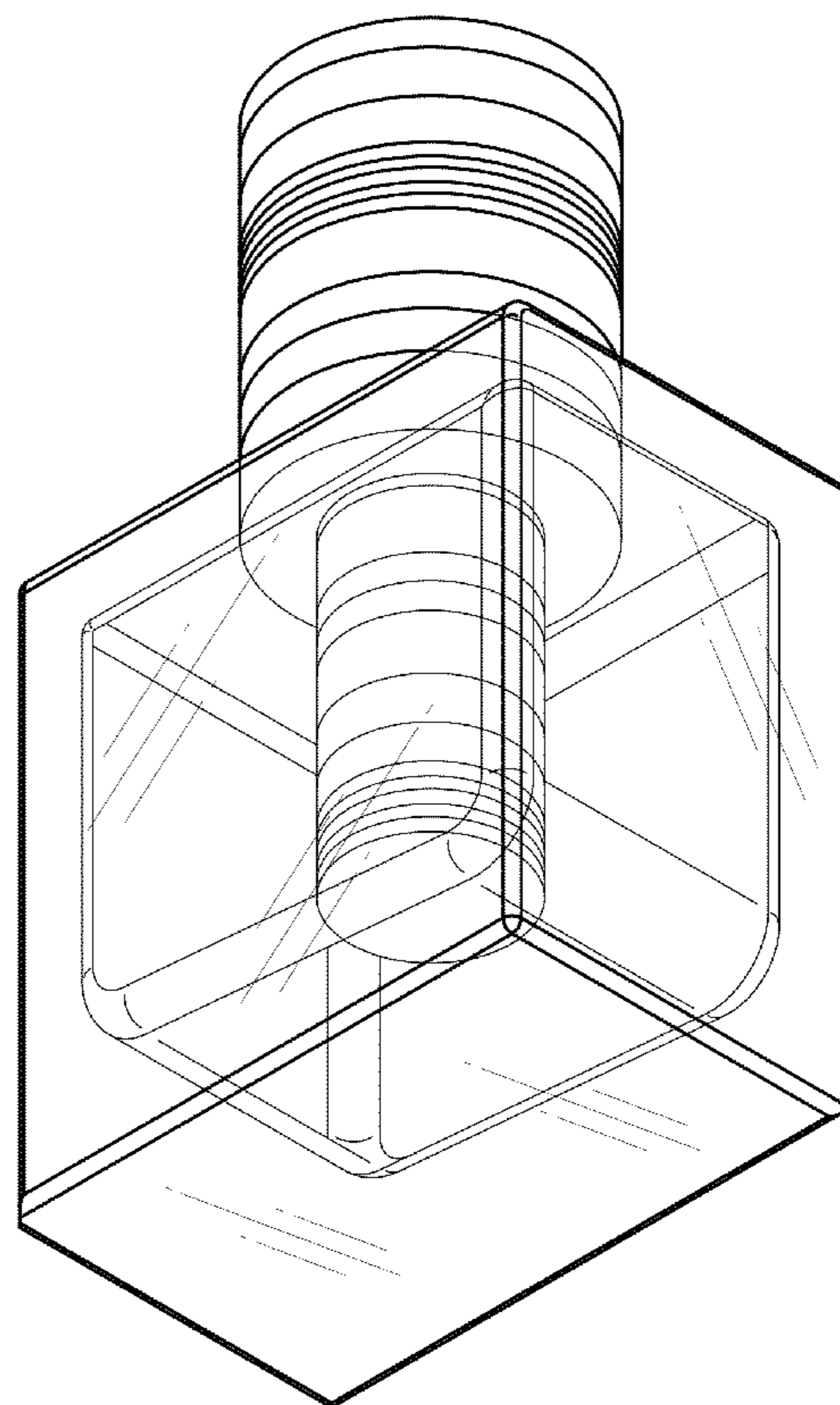
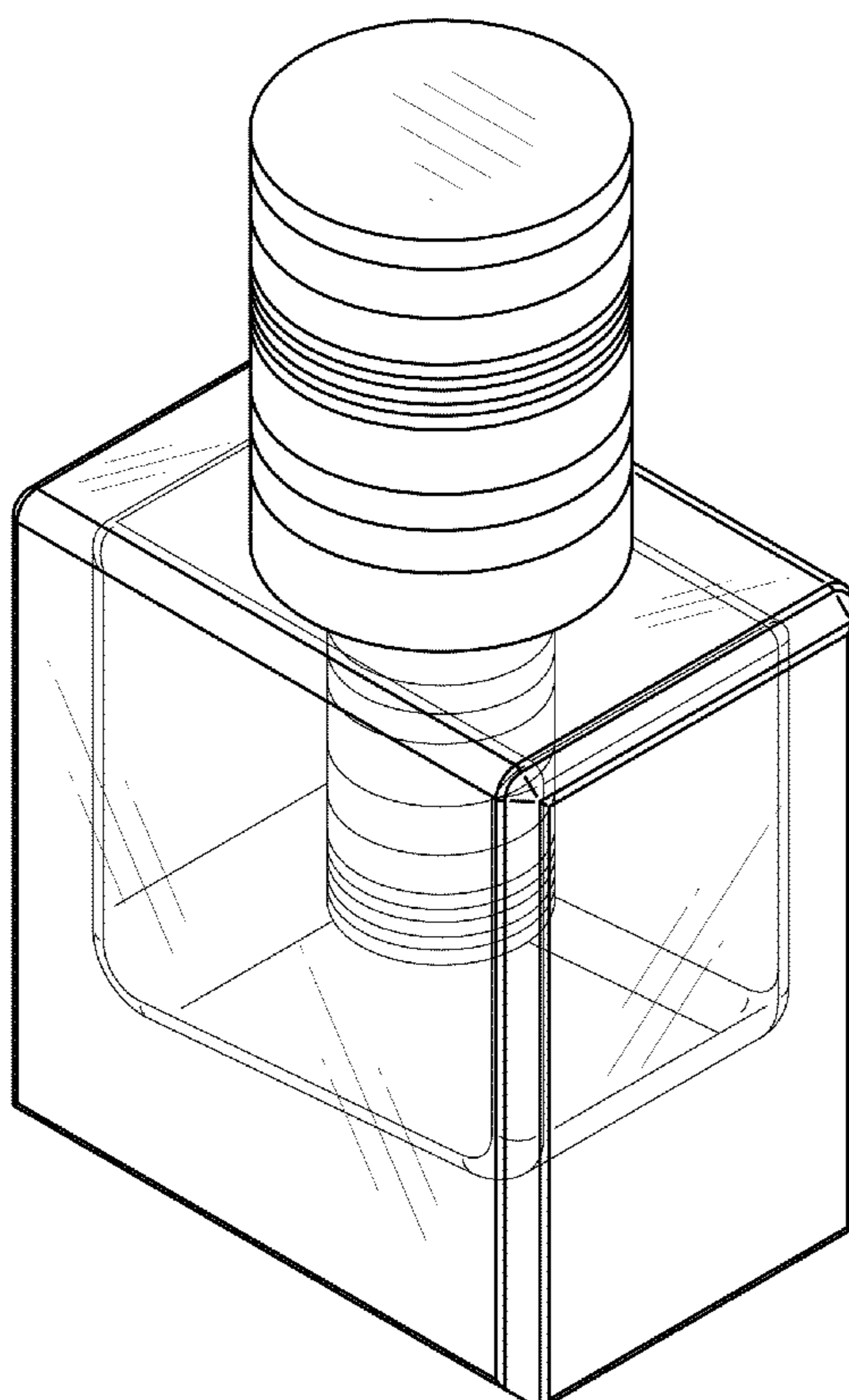
(57) **CLAIM**

The ornamental design for a perfume bottle, as shown.

DESCRIPTION

FIG. 1 is a front right top perspective view of a perfume bottle showing my new design;
FIG. 2 is a front right bottom perspective view thereof;
FIG. 3 is a front view thereof;
FIG. 4 is a rear view thereof;
FIG. 5 is a right side view thereof;
FIG. 6 is a left side view thereof;
FIG. 7 is a top view thereof; and,
FIG. 8 is a bottom view thereof.

1 Claim, 6 Drawing Sheets



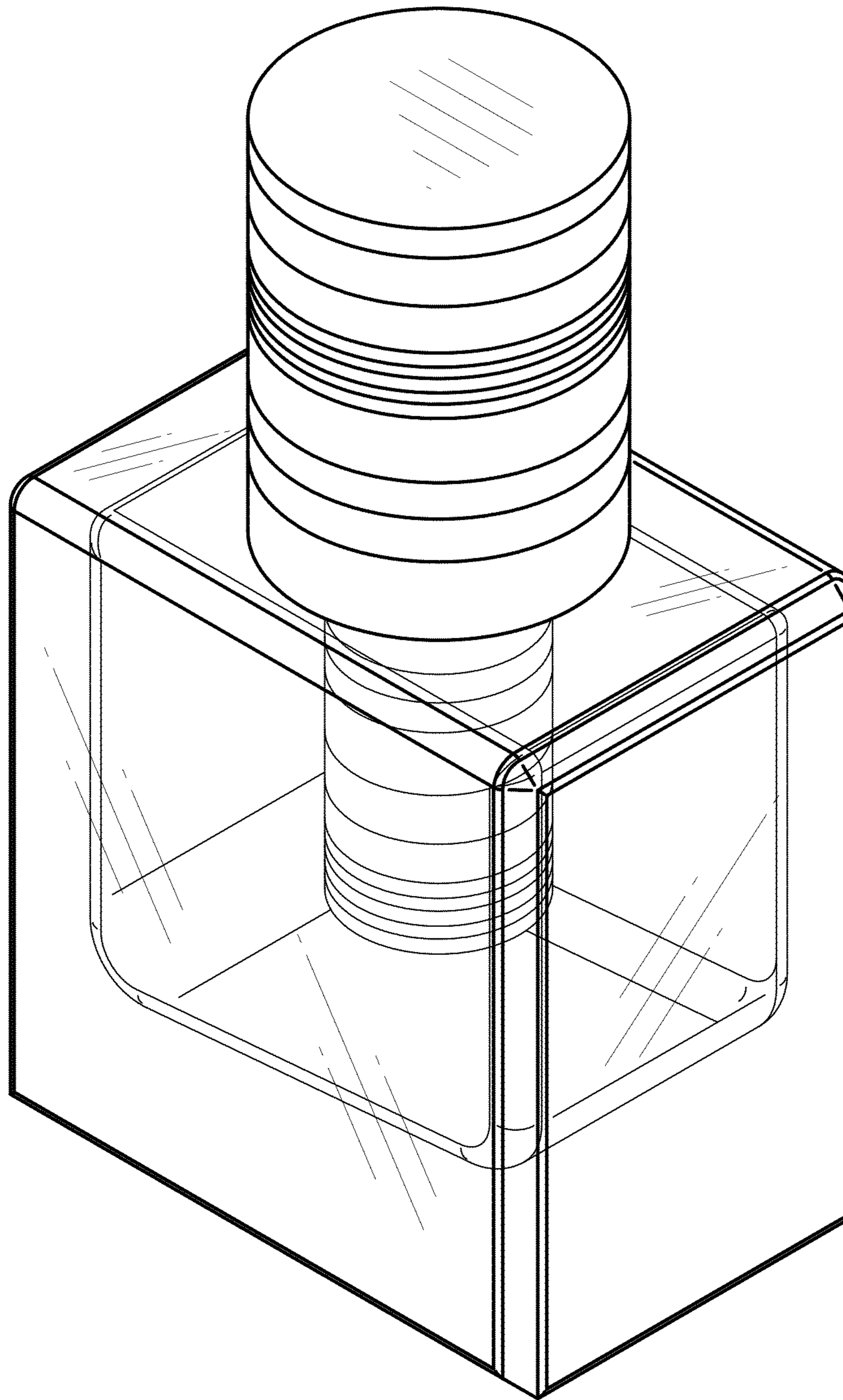


FIG. 1

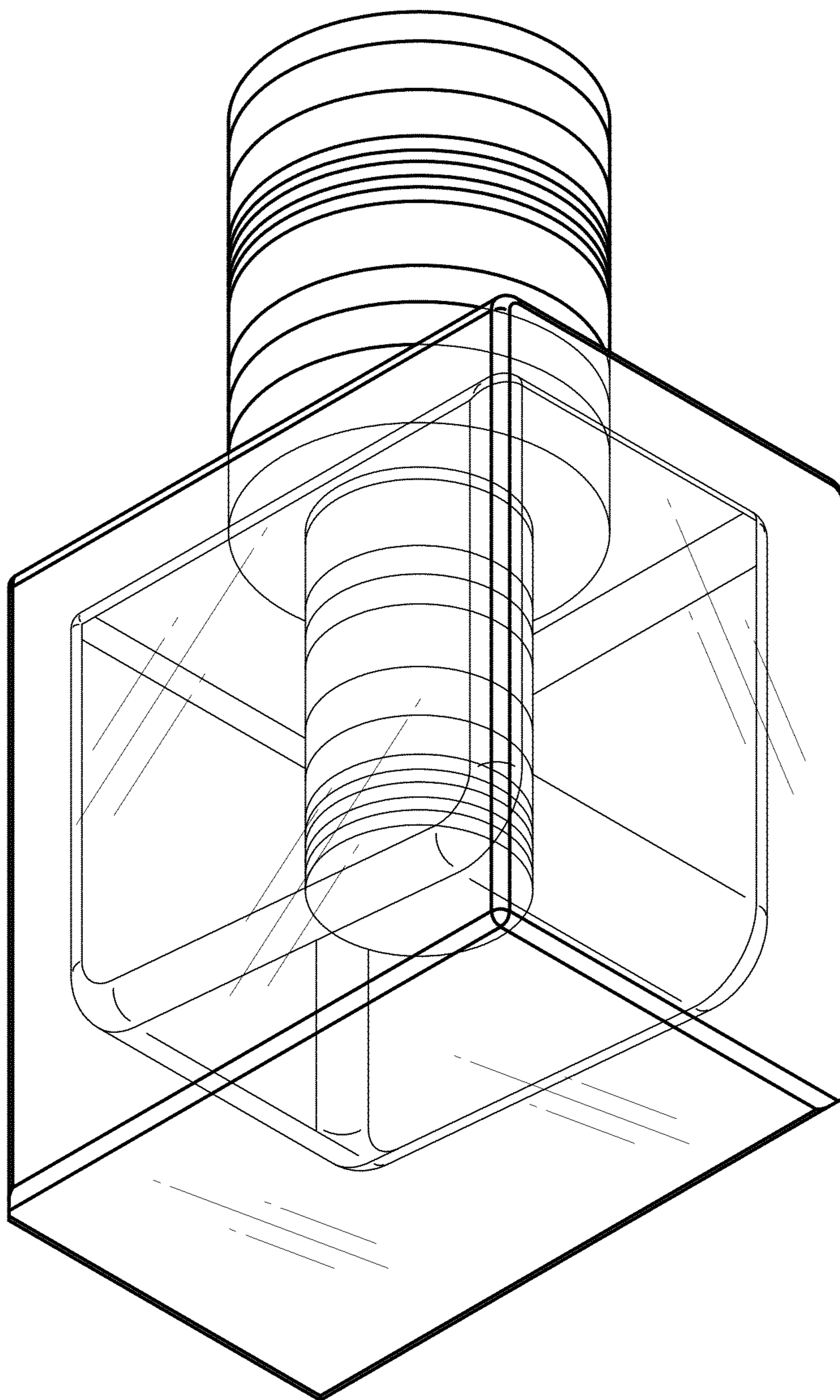


FIG. 2

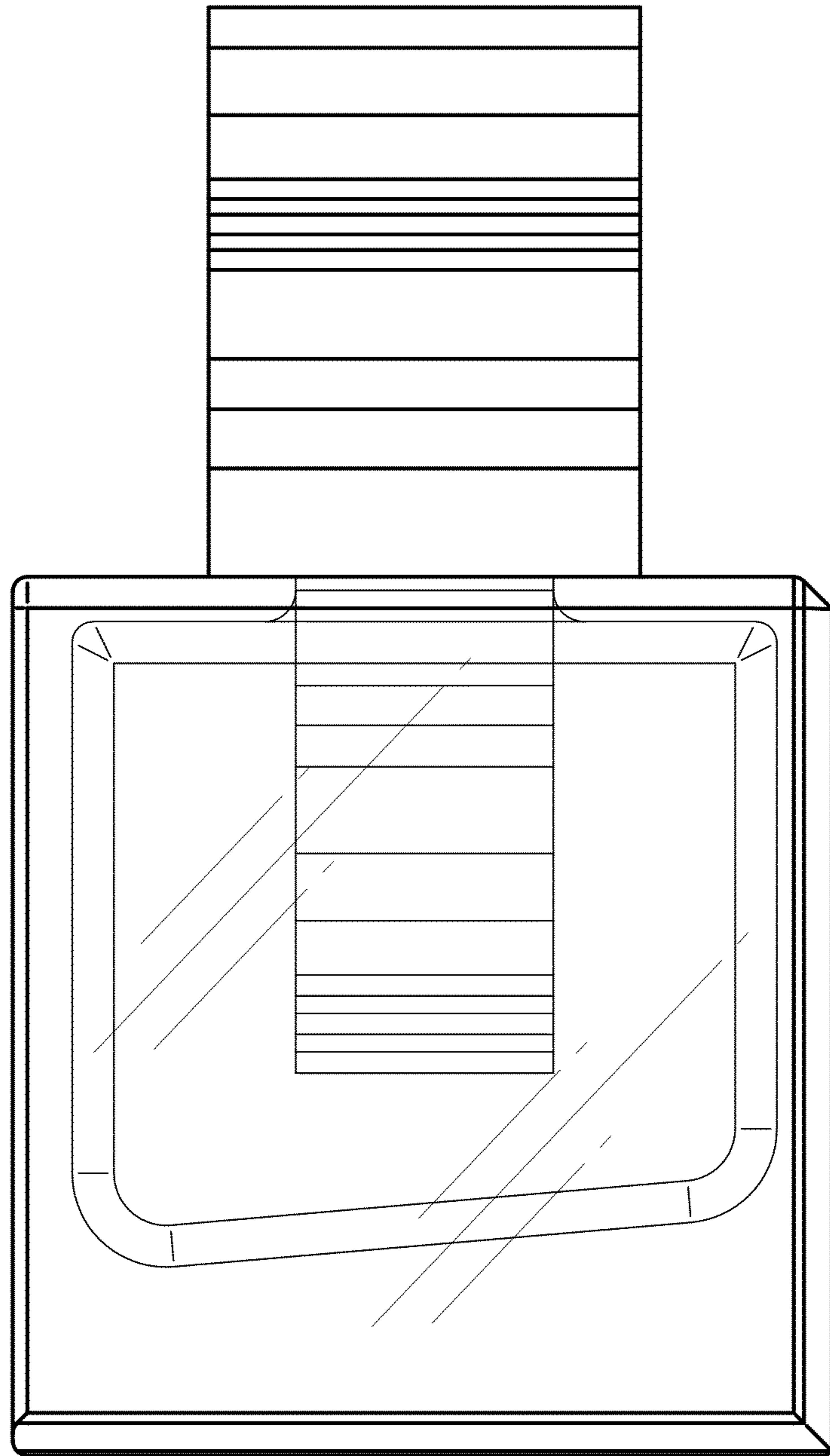


FIG. 3

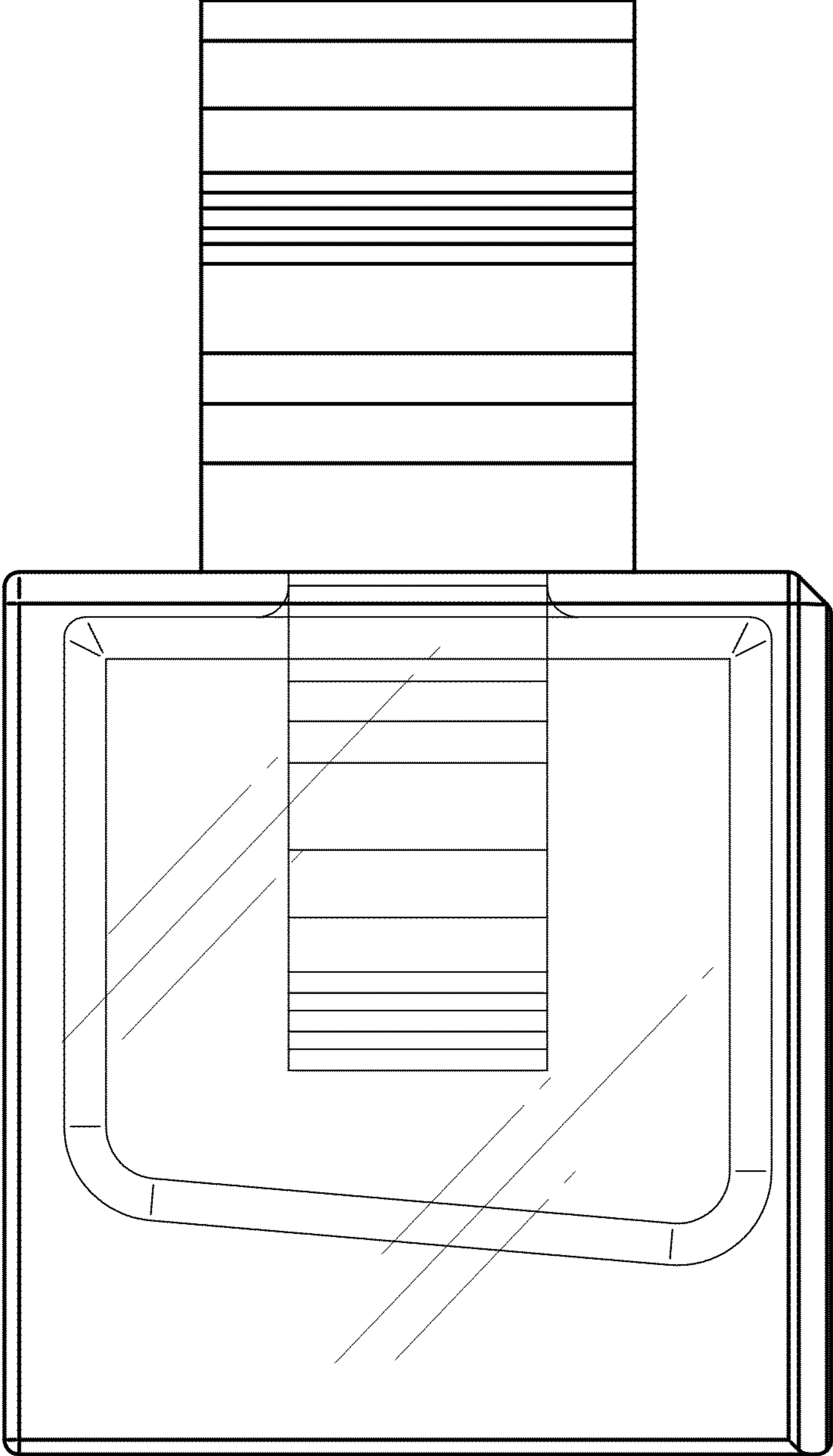


FIG. 4

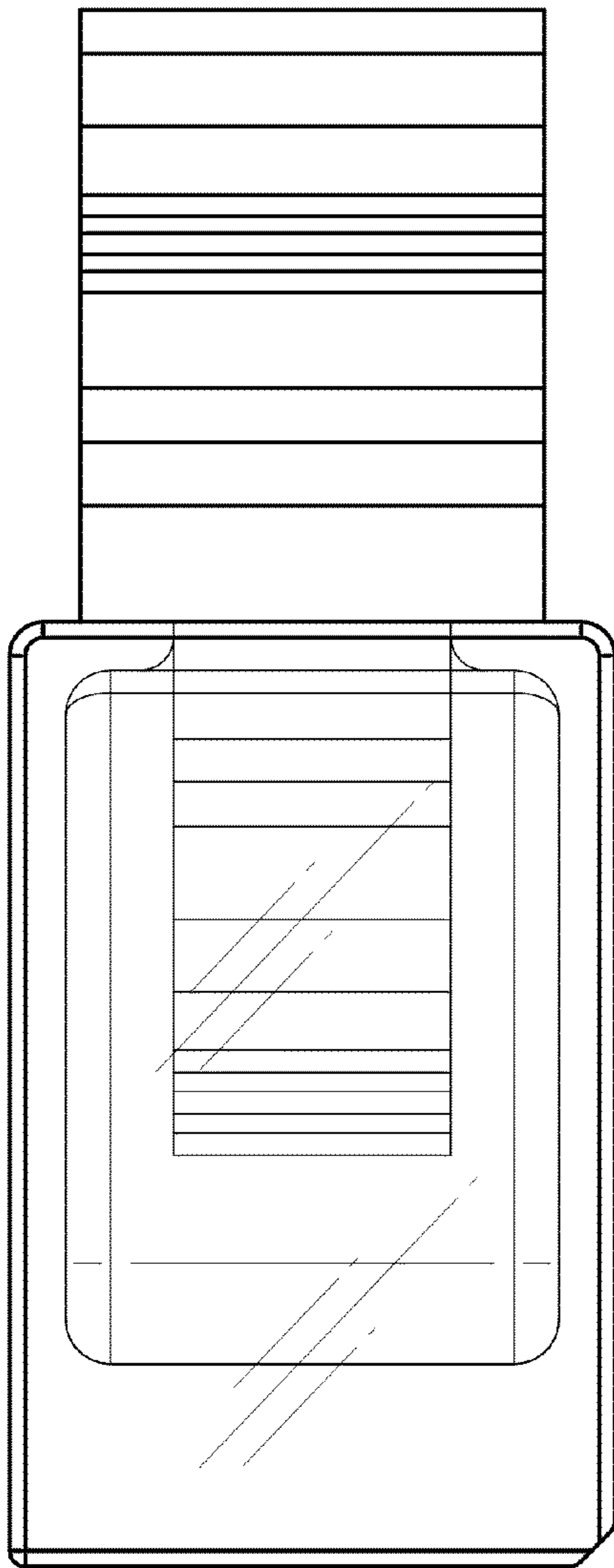


FIG. 5

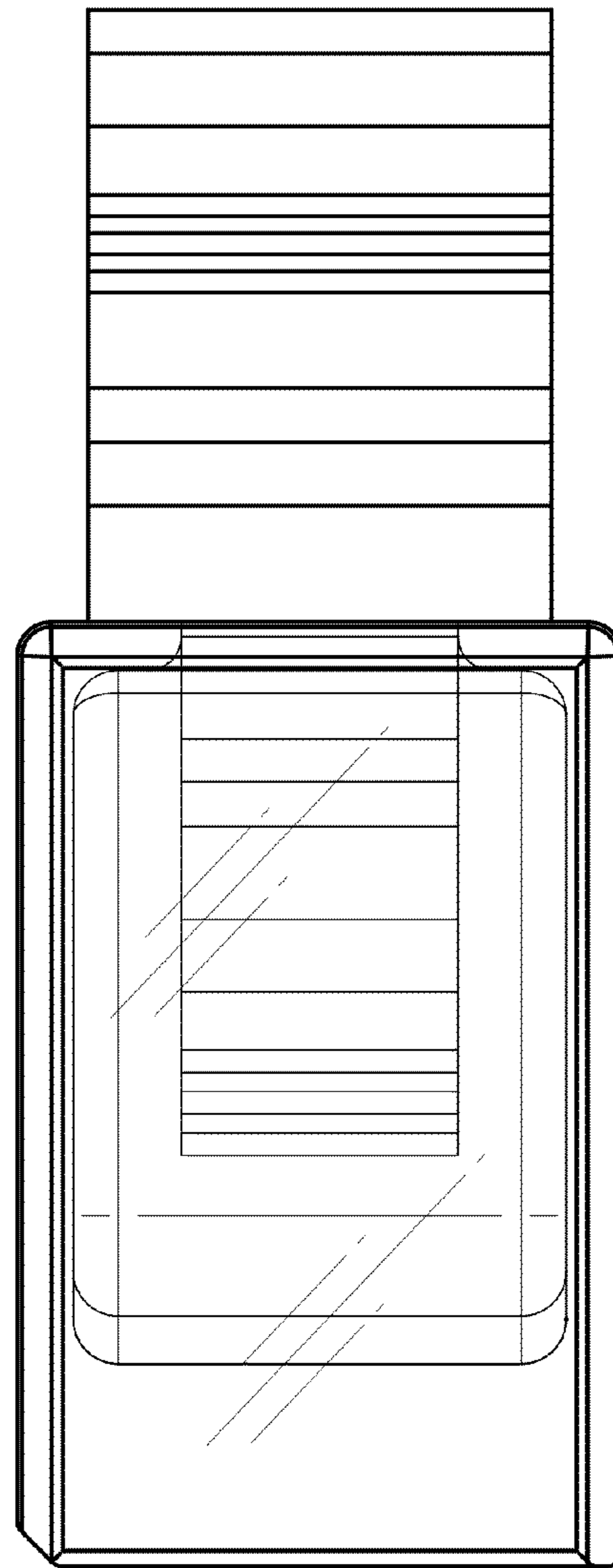


FIG. 6

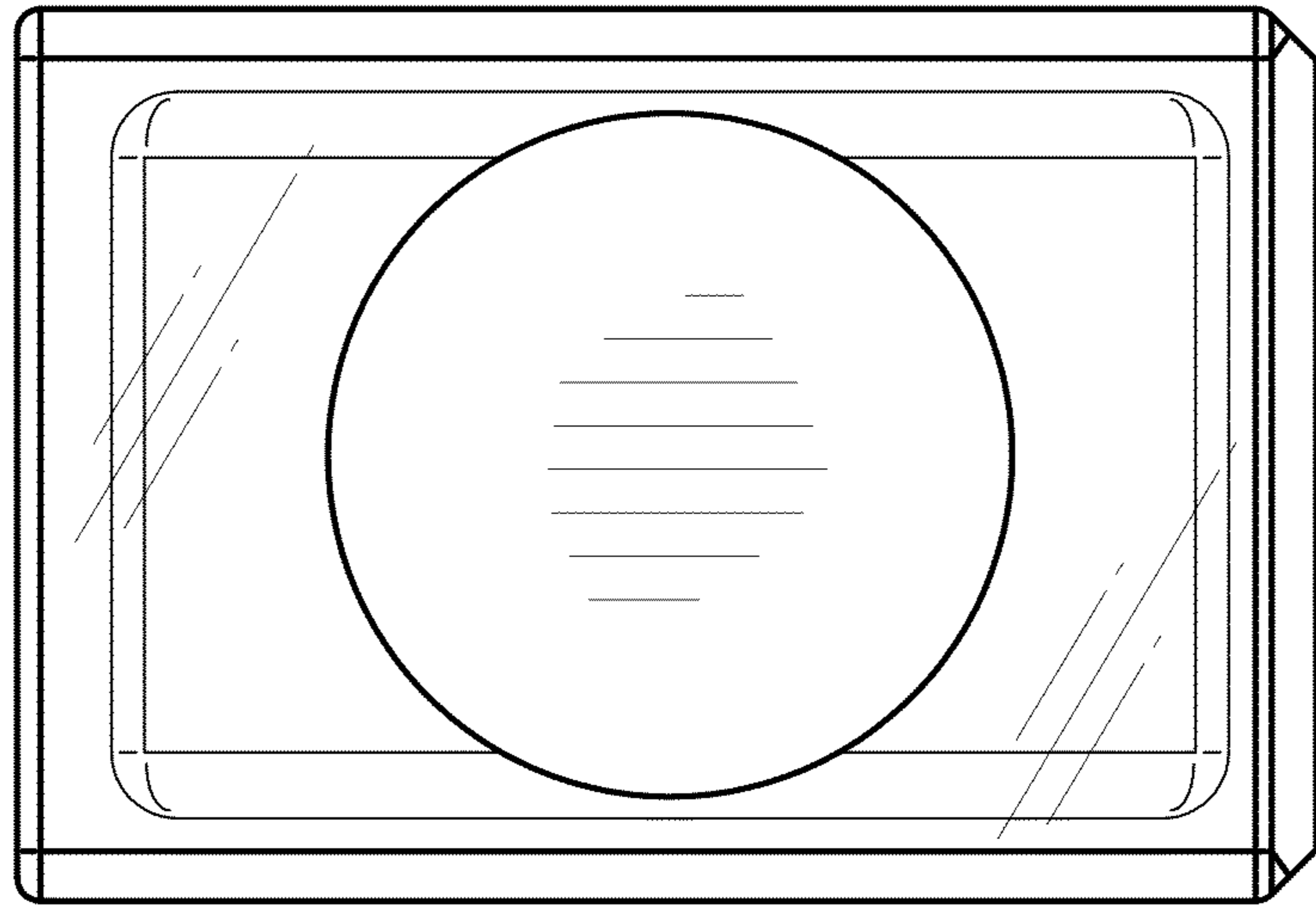


FIG. 7

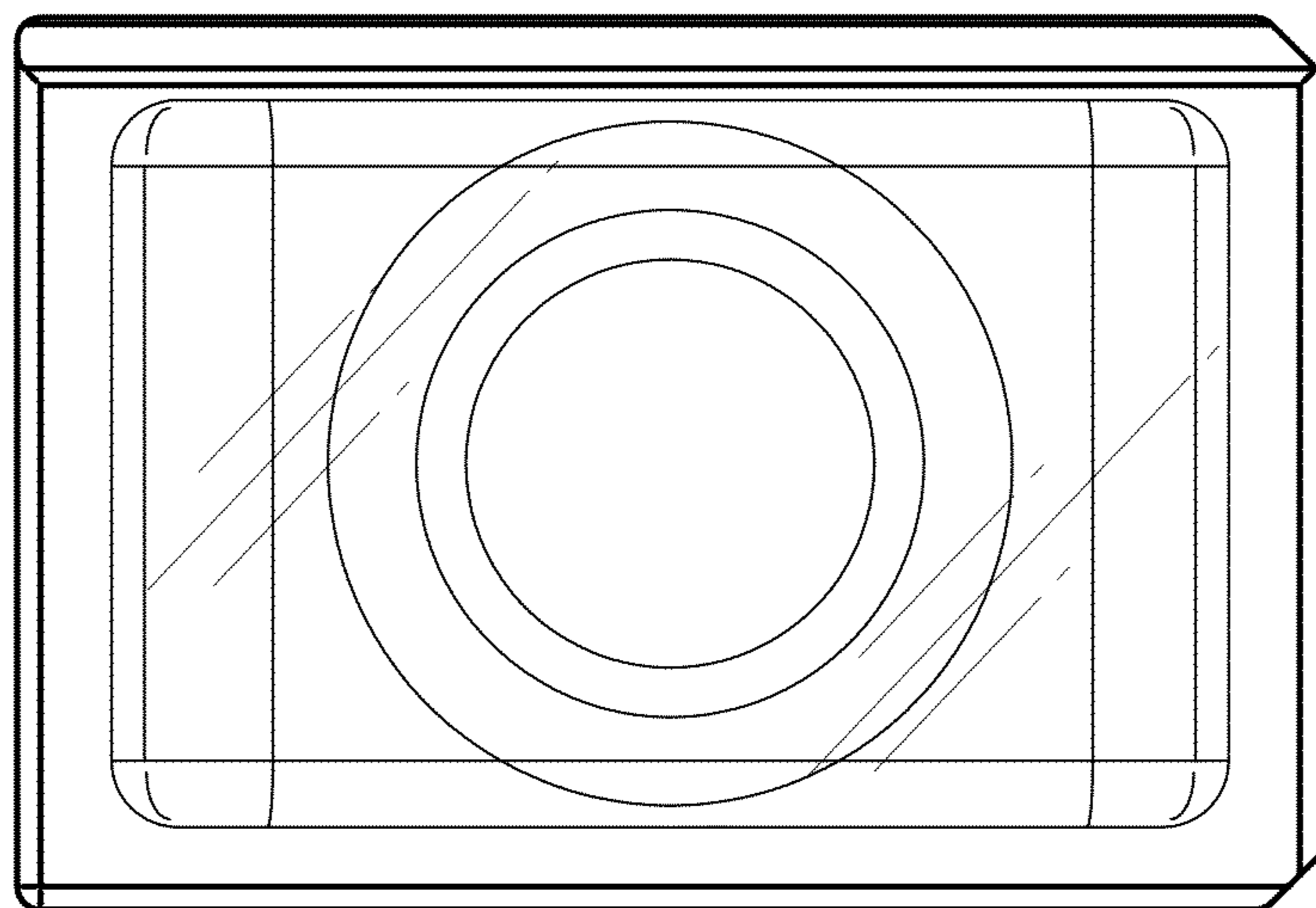


FIG. 8