



US00D705658S

(12) **United States Design Patent**  
**Knapp et al.**

(10) **Patent No.:** **US D705,658 S**  
(45) **Date of Patent:** **\*\* May 27, 2014**

(54) **BOTTLE BOTTOM**

(71) Applicant: **Krones AG**, Neutraubling (DE)

(72) Inventors: **Peter Knapp**, Schatzhausen (DE);  
**Alexander Dachs**, Regensburg (DE);  
**Stephanie Pietrasch**, Regensburg (DE);  
**Bastian Tißmer**, Regensburg (DE);  
**Arno Haner**, Wiesent (DE); **Ulrich Lappe**, Neutraubling (DE)

(73) Assignee: **Krones AG** (DE)

(\*\*) Term: **14 Years**

(21) Appl. No.: **29/435,269**

(22) Filed: **Oct. 22, 2012**

(51) **LOC (10) Cl.** ..... **09-01**

(52) **U.S. Cl.**  
USPC ..... **D9/516**; D9/520

(58) **Field of Classification Search**  
USPC ..... D9/516, 520, 530, 538, 541-543, 560,  
D9/569-571, 573-575; 215/370-371, 373;  
220/660, 604, 606, 608; D23/412;  
D21/307-308, 362; D12/205

See application file for complete search history.

(56) **References Cited**

U.S. PATENT DOCUMENTS

3,727,783	A	4/1973	Carmichael	.....	315/1 C
D546,687	S *	7/2007	Boukobza	.....	D9/516
D570,217	S *	6/2008	Meillerais	.....	D9/520
7,416,088	B2 *	8/2008	Boukobza	.....	215/373
D583,245	S *	12/2008	Lepoitevin	.....	D9/538
D595,581	S *	7/2009	Brunson	.....	D9/520
D600,559	S *	9/2009	Lepoitevin	.....	D9/538
D601,903	S *	10/2009	Lepoitevin	.....	D9/538
D606,410	S *	12/2009	Kissinger et al.	.....	D9/516

D607,733	S *	1/2010	Lepoitevin	.....	D9/538
D650,677	S *	12/2011	Wurster et al.	.....	D9/516
2007/0262046	A1	11/2007	Zoppas	.....	215/375
2010/0006533	A1	1/2010	Nievierowski et al.	.....	215/381
2011/0309090	A1	12/2011	Derrien et al.	.....	220/600
2013/0213925	A1*	8/2013	Forsthovel et al.	.....	215/370

FOREIGN PATENT DOCUMENTS

DE	17 22 082	5/1956	
DE	2 160 085	6/1973	..... B65D 1/02
DE	106330	2/1975	..... B67C 3/06
DE	69825632	9/2005	..... B65D 1/02
DE	60202450	2/2006	..... B65D 1/02
DE	602004010814	12/2008	..... B65D 1/02
FR	2 753 435	3/1998	..... B65D 1/02
JP	6-270929	9/1994	..... B65D 1/02
JP	08072843	3/1996	..... B65D 1/02
WO	WO 2006/067590	6/2006	..... B65D 1/02
WO	WO 2008/017746	2/2008	..... B65D 1/02

OTHER PUBLICATIONS

U.S. Appl. No. 29/437,997, filed Nov. 23, 2012, Deyerl et al.  
U.S. Appl. No. 13/391,304, filed Jun. 28, 2013, Deyerl et al.

(Continued)

*Primary Examiner* — Wan Laymon  
(74) *Attorney, Agent, or Firm* — Hayes Soloway P.C.

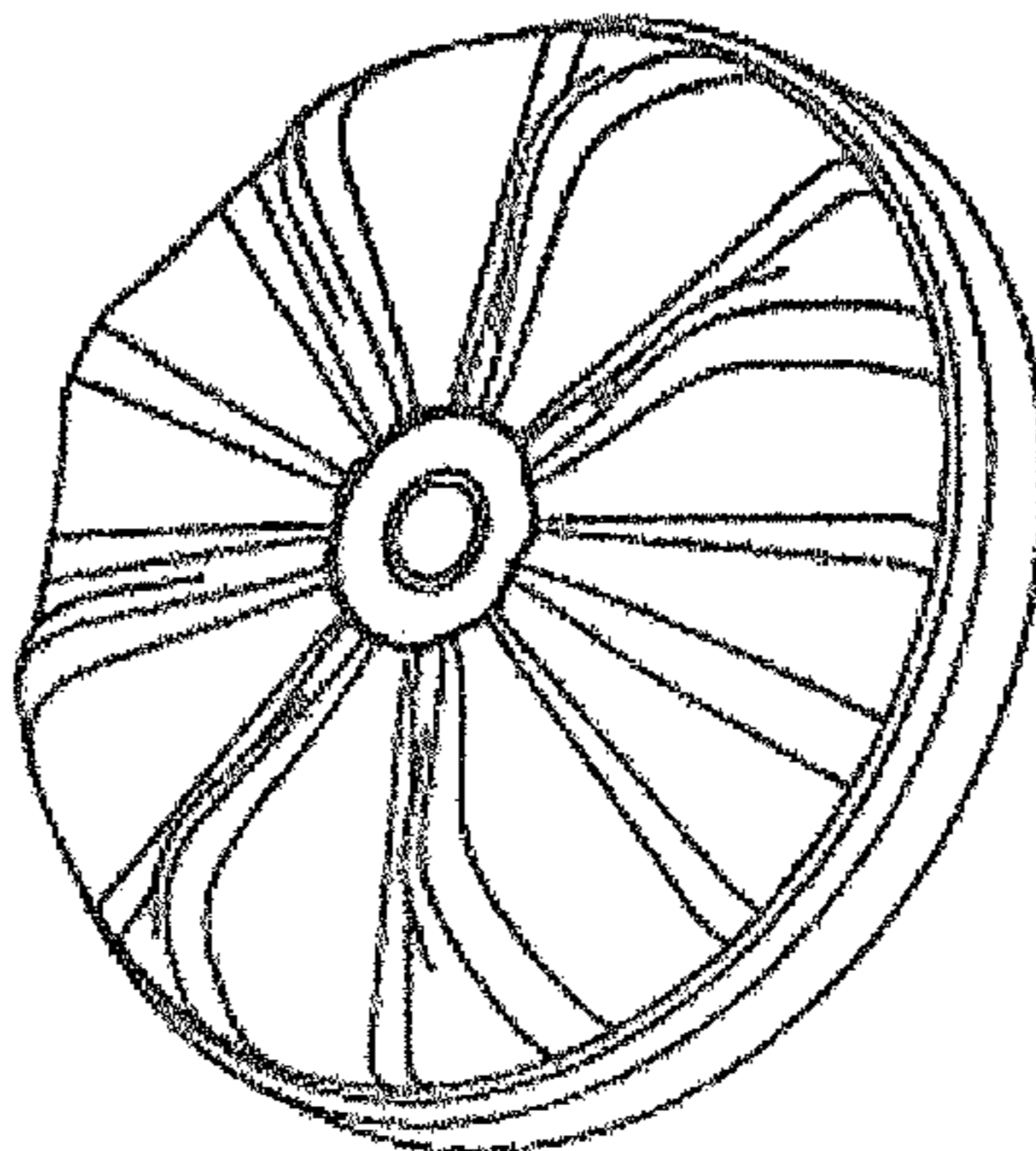
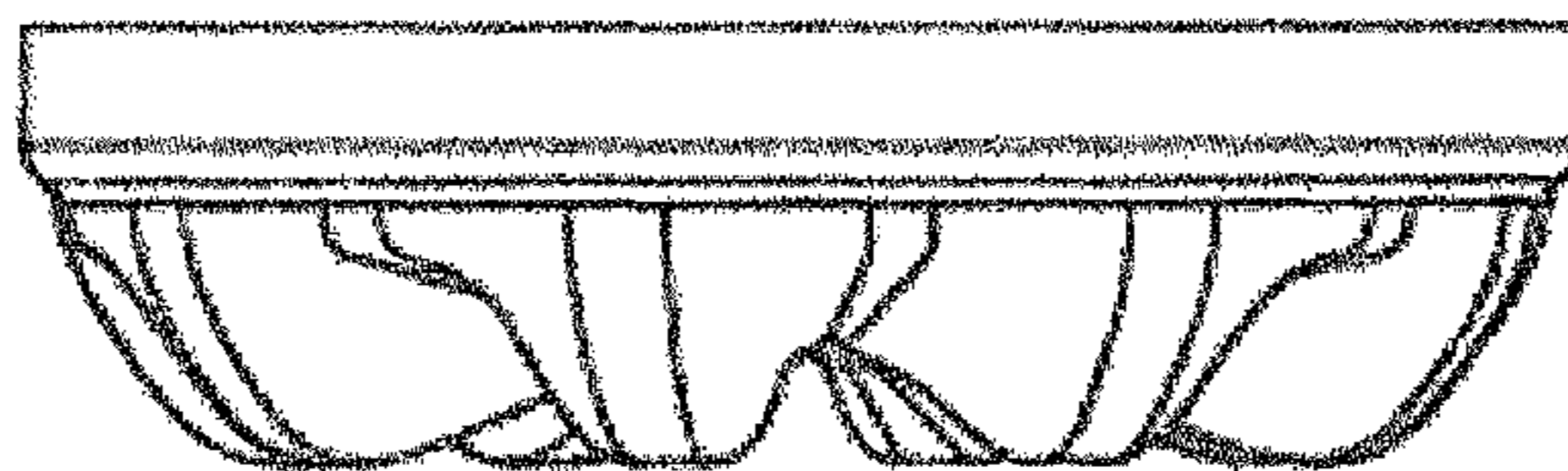
(57) **CLAIM**

The ornamental design for a bottle bottom, as shown and described.

**DESCRIPTION**

FIG. 1 is a front view of a bottle bottom showing our design, the back view being a mirror image thereof;  
FIG. 2 is a side view of the bottle, the opposite side being a mirror image thereof;  
FIG. 3 is a bottom view of the bottle; and,  
FIG. 4 is a bottom perspective view of the bottle.

**1 Claim, 2 Drawing Sheets**



(56)

**References Cited**

OTHER PUBLICATIONS

German Search Report issued in corresponding German Patent Application Serial No. 10 2012 105 778.8 dated Mar. 20, 2013 (5 pgs).

Office Action issued in related U.S. Appl. No. 12/560,301 dated May 21, 2013 (14 pgs).

U.S. Appl. No. 12/560,301, filed Sep. 15, 2009, Schau.

U.S. Appl. No. 29/439,997, filed Nov. 23, 2012, Deyerl et al.

U.S. Appl. No. 29/434,884, filed Oct. 17, 2012, Janssen et al.

U.S. Appl. No. 29/434,880, filed Oct. 17, 2012, Janssen et al.

European Search Report issued in corresponding European Patent Application Serial No. 09 170 284.0, dated Nov. 9, 2011 (2 pgs).

Chinese Office Action issued in corresponding Chinese Patent Application Serial No. 2009101755436, dated Mar. 5, 2012 (9 pgs).

US Official Action issued in corresponding U.S. Appl. No. 12/560,301, dated Aug. 3, 2012 (23 pgs).

US Official Action issued in corresponding U.S. Appl. No. 12/560,301 dated Feb. 8, 2013 (14 pgs).

\* cited by examiner

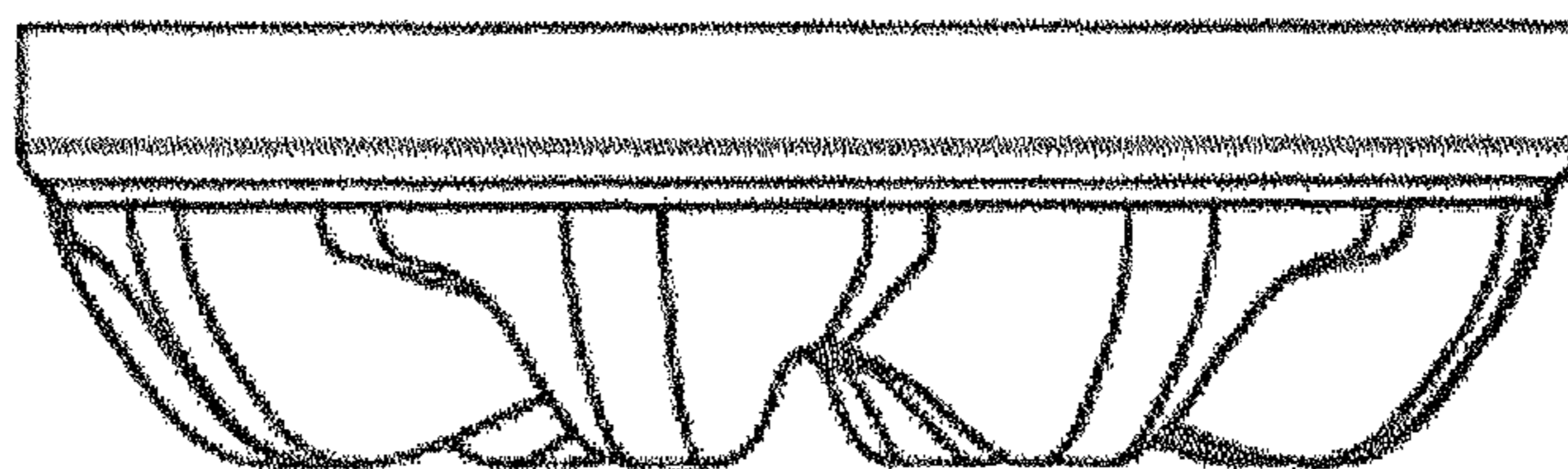


Fig. 1

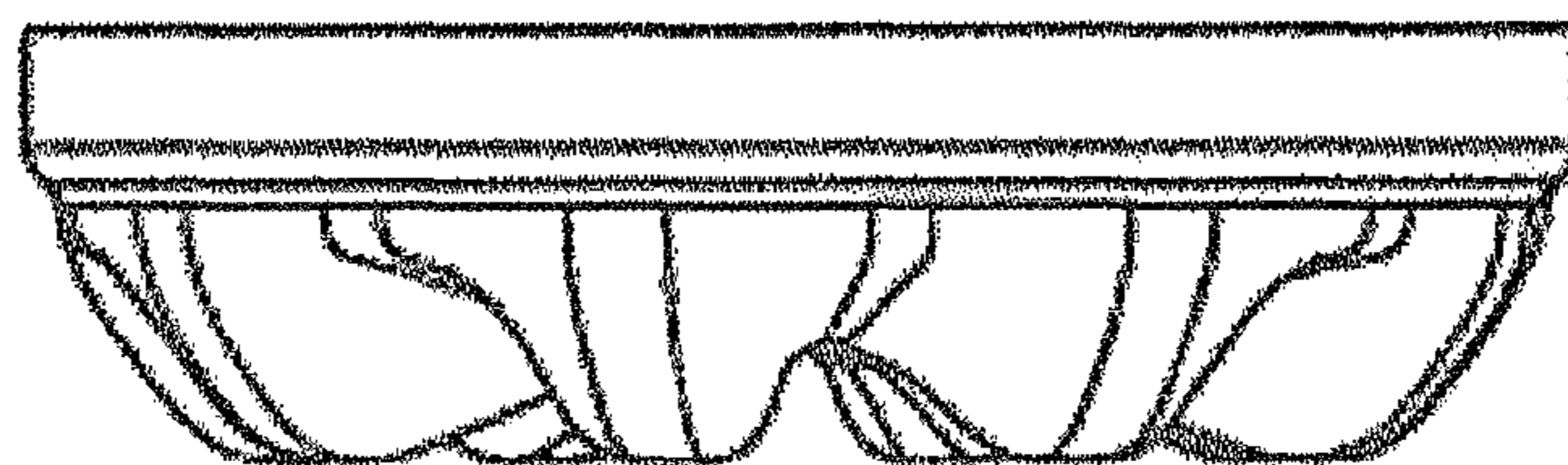


Fig. 2

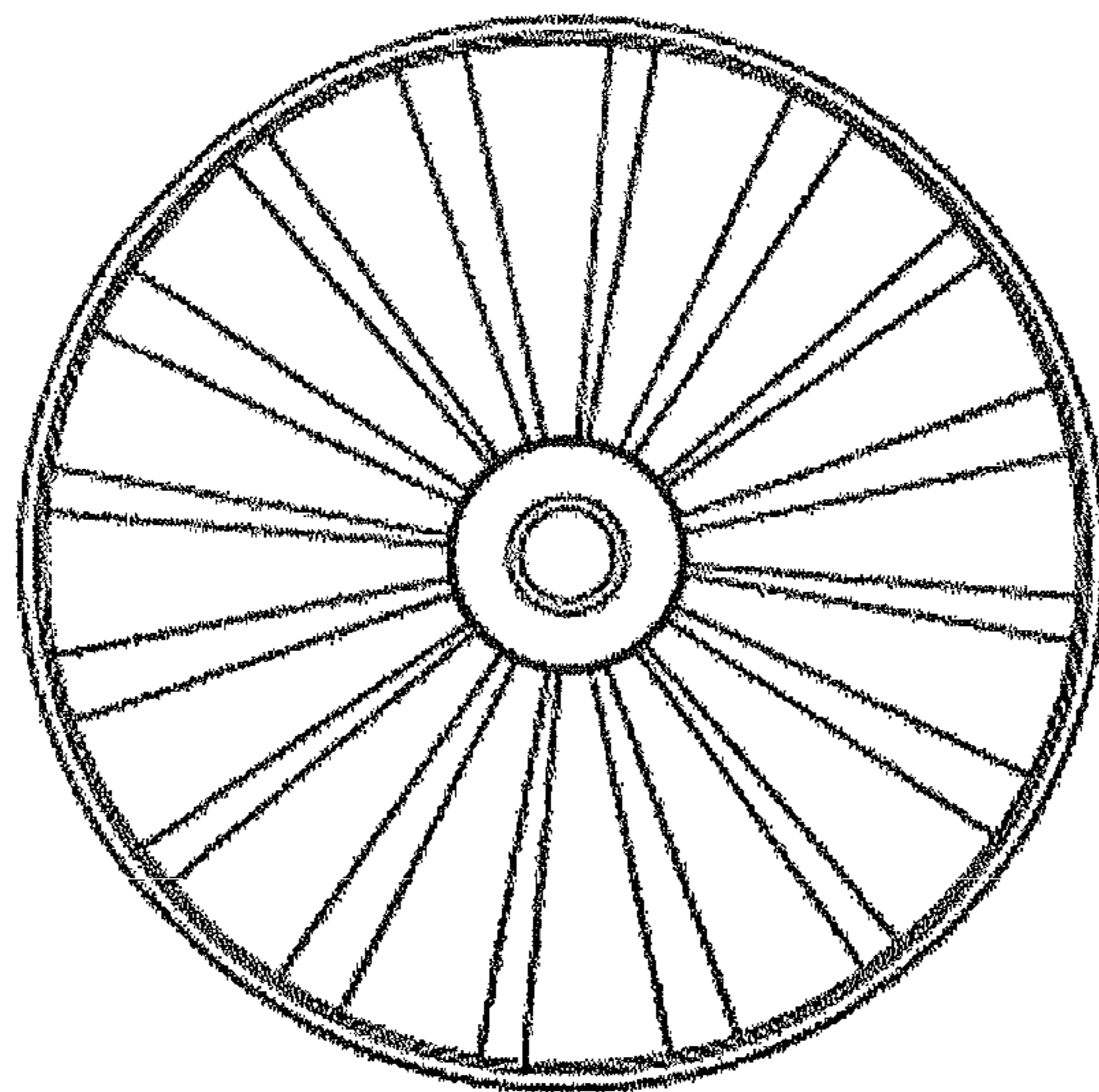


Fig. 3

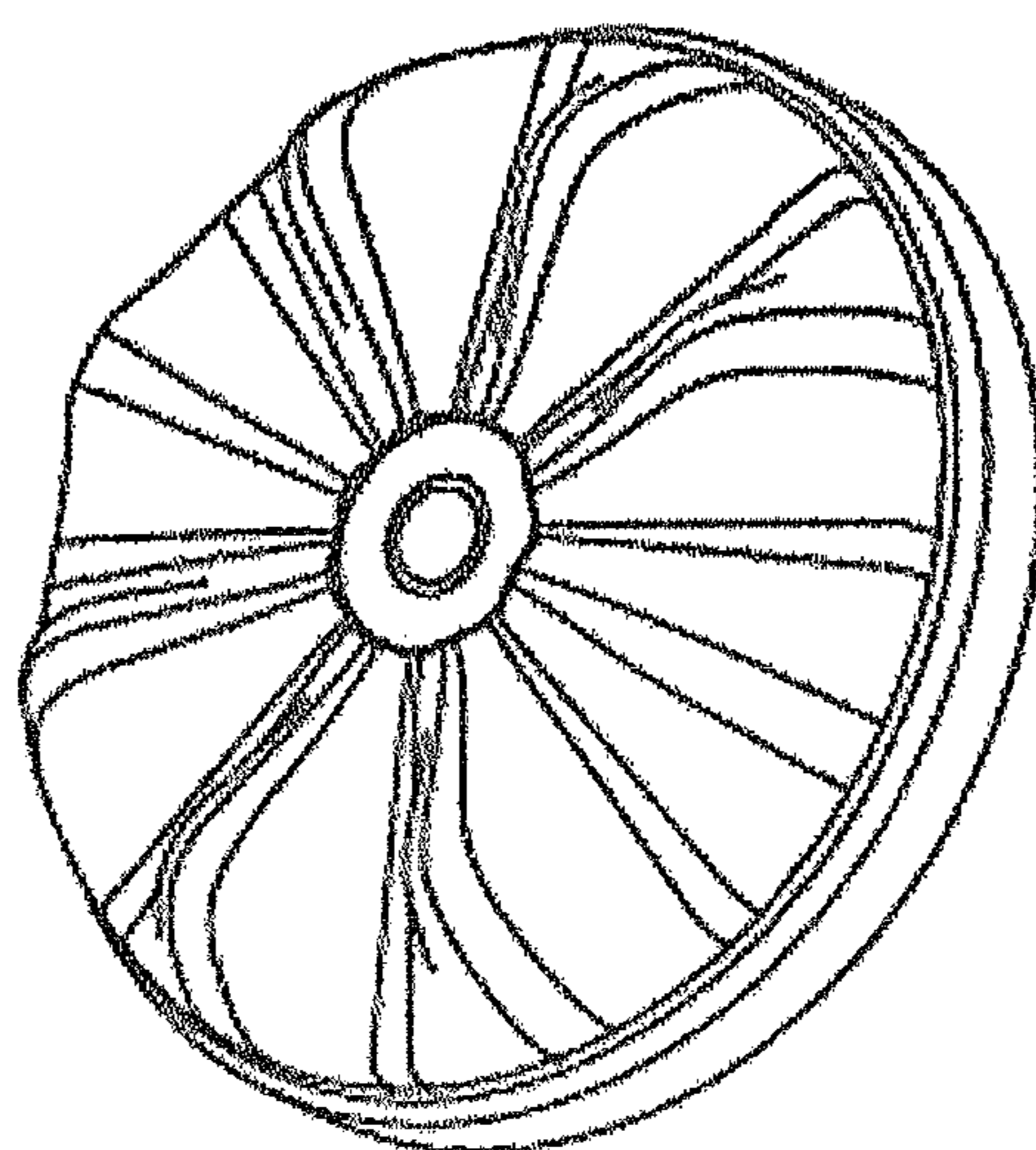


Fig. 4