



US00D705656S

(12) **United States Design Patent**
Risinger et al.

(10) **Patent No.:** **US D705,656 S**

(45) **Date of Patent:** **** May 27, 2014**

(54) **PACKAGING**

(71) Applicants: **Robert Bosch Tool Corporation**,
Broadview, IL (US); **Robert Bosch GmbH**, Stuttgart (DE)

(72) Inventors: **Tammy Risinger**, Princeville, IL (US);
Kristen Murdy, Coral Gables, FL (US)

(73) Assignee: **Robert Bosch GmbH**, Stuttgart (DE)

(**) Term: **14 Years**

(21) Appl. No.: **29/453,310**

(22) Filed: **Apr. 26, 2013**

(51) **LOC (10) Cl.** **09-03**

(52) **U.S. Cl.**
USPC **D9/457**

(58) **Field of Classification Search**
USPC D9/415, 418, 423, 425, 433, 434, 436,
D9/443, 457; 206/303, 349, 353, 461, 485,
206/486, 495; 434/297; 119/245, 462
See application file for complete search history.

(56) **References Cited**

U.S. PATENT DOCUMENTS

1,151,280	A	*	8/1915	McGlashan	434/297
D86,128	S	*	2/1932	Levkoff	D9/418
D197,147	S	*	12/1963	Shapiro	D9/418
D216,007	S	*	11/1969	Kearney	D9/443
D221,524	S	*	8/1971	Field	D9/434
D239,436	S	*	4/1976	Williams	D9/415
D243,443	S	*	2/1977	Hayashi	D9/415
4,099,611	A	*	7/1978	Feibelman	206/6.1
D259,100	S	*	5/1981	Markowitz	D9/415
D260,370	S	*	8/1981	Peterson	D9/436
D263,686	S	*	4/1982	Jeremiah	D9/457
D264,815	S	*	6/1982	Lincoln	D9/415
D272,128	S	*	1/1984	Parmentier	D9/425
D276,595	S	*	12/1984	Miller	D9/434
D285,905	S	*	9/1986	Segal	D9/415
D286,140	S	*	10/1986	Kodousek et al.	D9/418

D289,016	S	*	3/1987	Campbell	D9/434
D289,263	S	*	4/1987	Rusnock et al.	D9/433
D291,182	S	*	8/1987	Pelosi	D9/433
4,848,541	A	*	7/1989	Paliotta et al.	206/471
D311,138	S	*	10/1990	Chanel	D9/425
D315,102	S	*	3/1991	Chandler	D9/443

(Continued)

OTHER PUBLICATIONS

Anonymous, How to draw a cartoon light bulb, How to Draw Funny Cartoons, Oct. 20, 2009, <http://www.how-to-draw-funny-cartoons.com/cartoon-light.html>.*

Primary Examiner — Eric Goodman

Assistant Examiner — Marie D Fast Horse

(74) *Attorney, Agent, or Firm* — Maginot, Moore & Beck

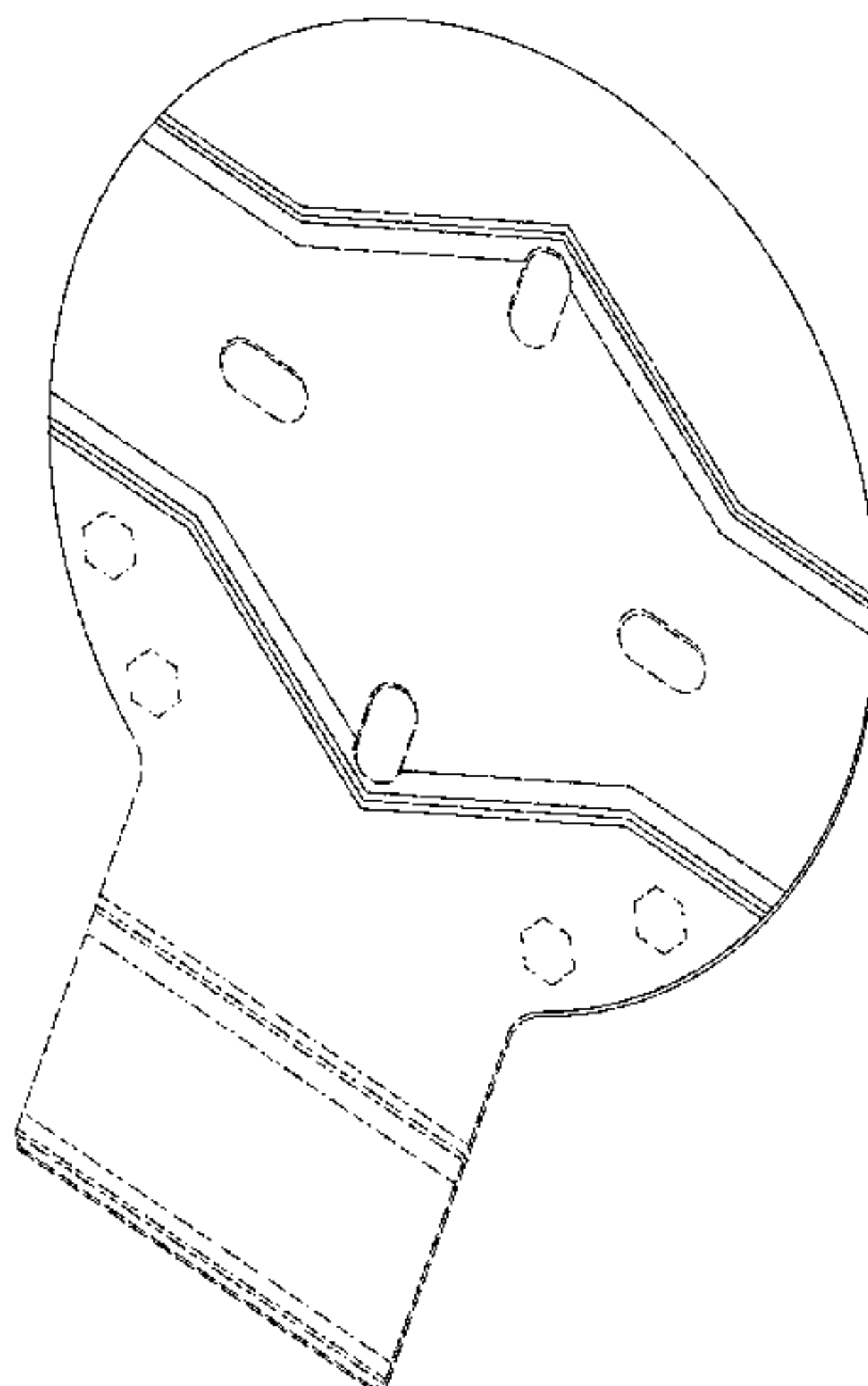
(57) **CLAIM**

The ornamental design for a packaging, as shown and described.

DESCRIPTION

FIG. 1 is a perspective view of a first embodiment of a packaging showing our new design;
FIG. 2 is a front elevational view showing the design for the packaging of FIG. 1;
FIG. 3 is a rear elevational view showing the design for the packaging of FIG. 1;
FIG. 4 is a left side elevational view showing the design for the packaging of FIG. 1;
FIG. 5 is a right side elevational view showing the design for the packaging of FIG. 1;
FIG. 6 is a top plan view showing the design for the packaging of FIG. 1; and,
FIG. 7 is a bottom plan view showing the design for the packaging of FIG. 1.
The broken line showing on the packaging are for the purpose of illustrating portions of the article and form no part of the claimed design.

1 Claim, 5 Drawing Sheets



(56)

References Cited

U.S. PATENT DOCUMENTS

D322,030 S *	12/1991	Chument	D9/415	D451,389 S *	12/2001	Bozlee	D9/434
5,251,756 A *	10/1993	Grange	206/461	D459,222 S *	6/2002	Mello et al.	D9/418
D358,987 S *	6/1995	Clutter et al.	D9/415	6,401,922 B1 *	6/2002	Svetlik	206/373
5,425,480 A *	6/1995	Rabenau et al.	222/153.07	6,427,832 B1 *	8/2002	Ali et al.	206/303
D365,024 S *	12/1995	DuBow	D9/434	D496,265 S *	9/2004	Dossett et al.	D9/415
D365,753 S *	1/1996	Sibbio	D9/415	D524,152 S *	7/2006	Recchia	D9/415
D380,963 S *	7/1997	Lee	D9/415	D535,554 S *	1/2007	Kent	D9/415
D381,578 S *	7/1997	Kuo	D9/415	D544,347 S *	6/2007	Last	D9/436
D386,405 S *	11/1997	Bernstein et al.	D9/415	D546,182 S *	7/2007	Hanji	D9/457
D413,801 S *	9/1999	Bell	D9/415	D568,406 S *	5/2008	Kealy	D20/27
D414,410 S *	9/1999	Klein et al.	D9/415	D576,030 S *	9/2008	Lee et al.	D9/415
D414,412 S *	9/1999	Brunianyn	D9/415	D577,577 S *	9/2008	Lee et al.	D9/415
D419,064 S *	1/2000	Gorry	D9/415	D578,874 S *	10/2008	Smith et al.	D9/418
6,029,815 A *	2/2000	Ali	206/349	D588,012 S *	3/2009	Navarro	D9/668
D427,061 S *	6/2000	Niksich	D9/415	D599,214 S *	9/2009	Born et al.	D9/667
D427,069 S *	6/2000	Carter	D9/436	D601,021 S *	9/2009	Hogenbirk	D9/457
6,073,758 A *	6/2000	Webster et al.	206/6.1	D614,490 S *	4/2010	Ouimette et al.	D9/457
D427,906 S *	7/2000	Carter	D9/436	D615,401 S *	5/2010	Ouimette et al.	D9/457
6,102,199 A *	8/2000	Ho	206/214	D615,402 S *	5/2010	Doster	D9/457
D432,410 S *	10/2000	Schwartz	D9/415	7,926,662 B2 *	4/2011	Ouimette et al.	206/702
6,164,447 A *	12/2000	Svetlik	206/373	8,069,983 B2 *	12/2011	Cross	206/349
D437,552 S *	2/2001	Findle et al.	D9/415	D653,107 S *	1/2012	Margan	D9/434
D438,103 S *	2/2001	Edwards et al.	D9/415	2005/0040056 A1 *	2/2005	Matsuno	206/307
6,230,964 B1 *	5/2001	Saito	229/92.8	2006/0086636 A1 *	4/2006	Kuo	206/495
				2007/0007157 A1 *	1/2007	Buschmann et al.	206/418
				2007/0029223 A1 *	2/2007	Mazurek	206/463
				2007/0199842 A1 *	8/2007	Liedenbaum	206/308.1

* cited by examiner

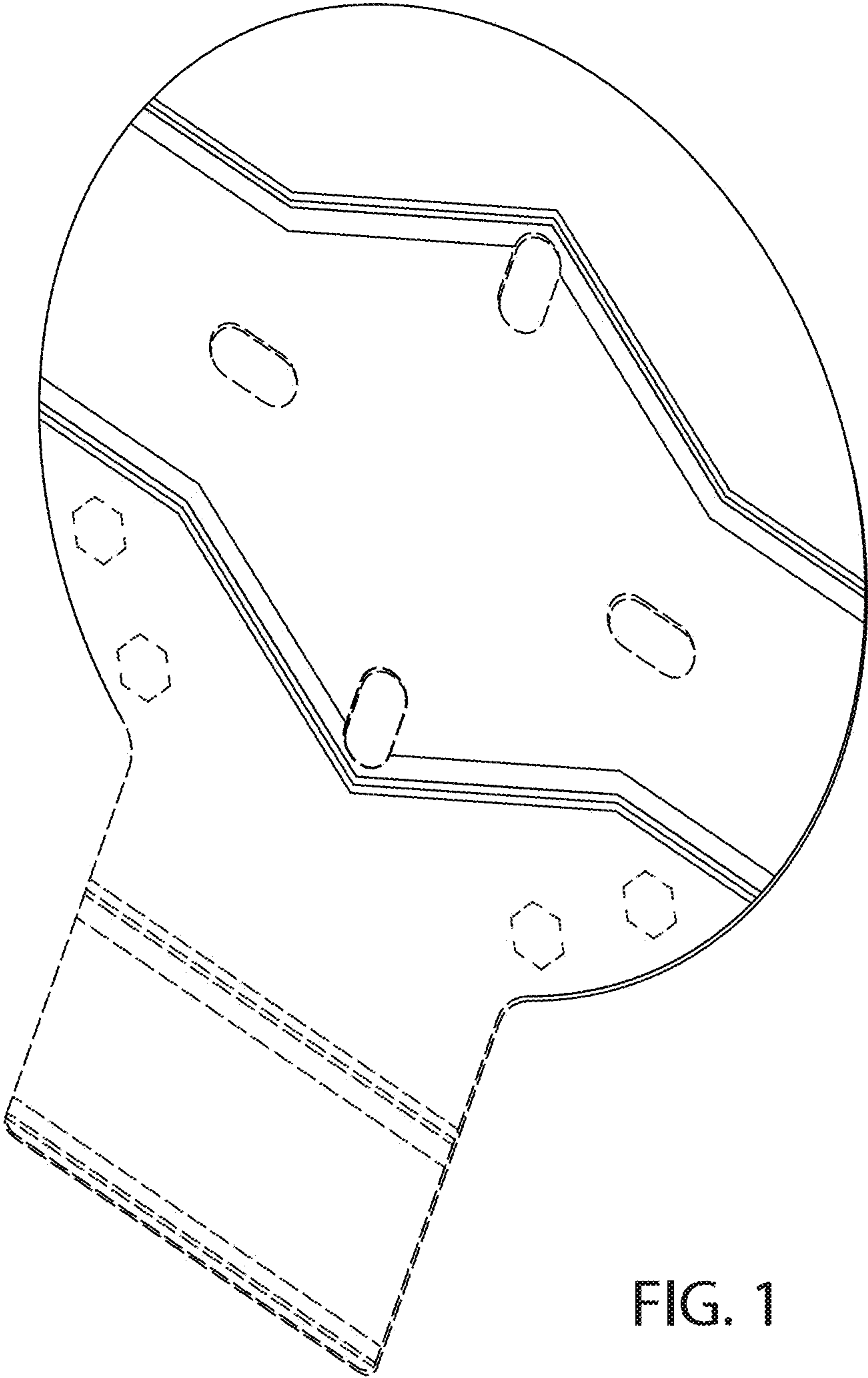


FIG. 1

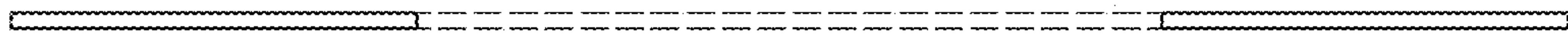


FIG. 2

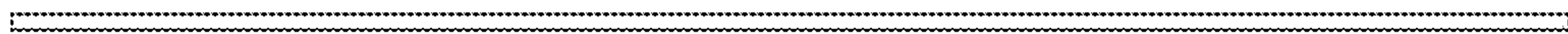


FIG. 3



FIG. 4



FIG. 5

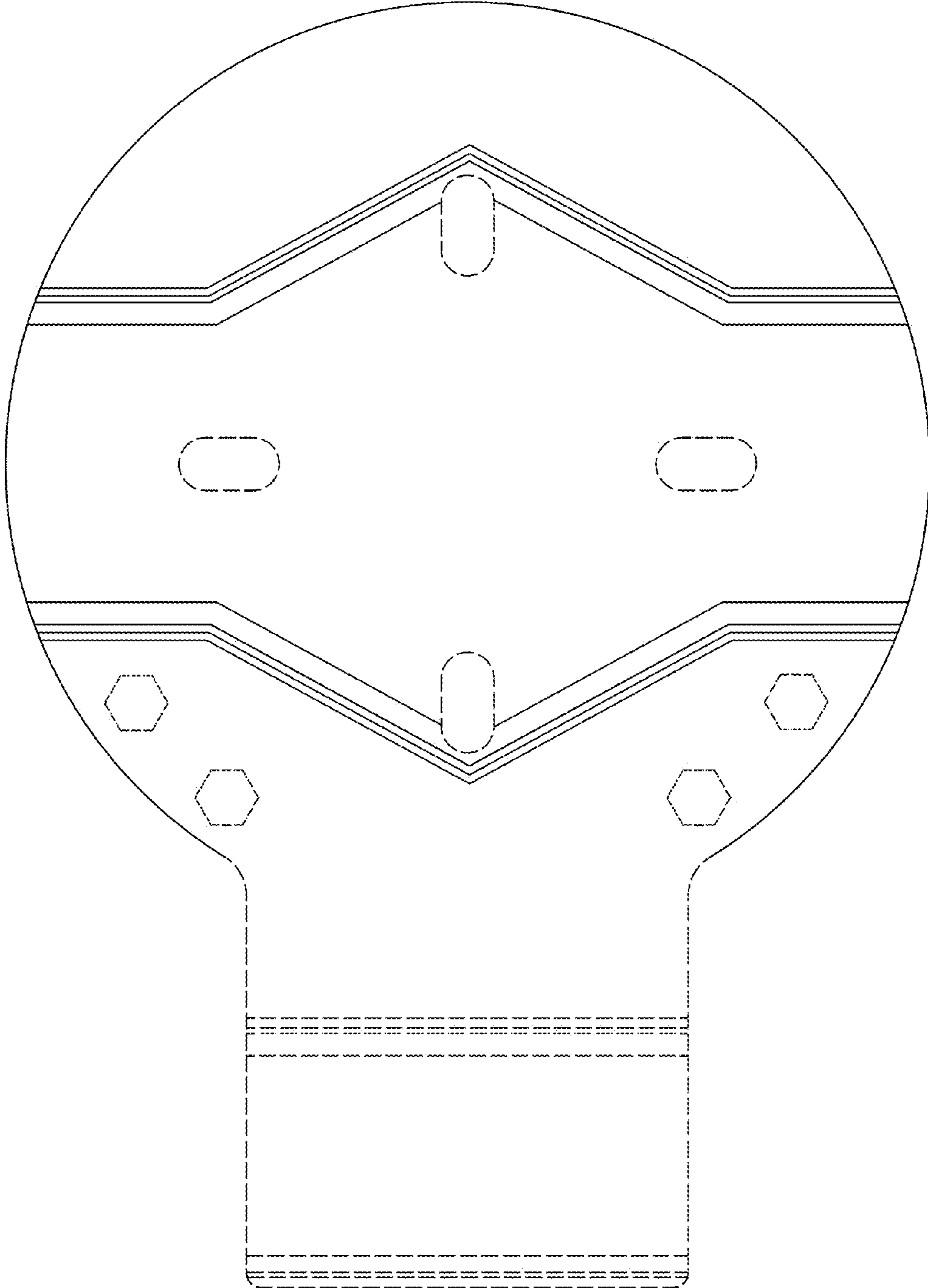


FIG. 6

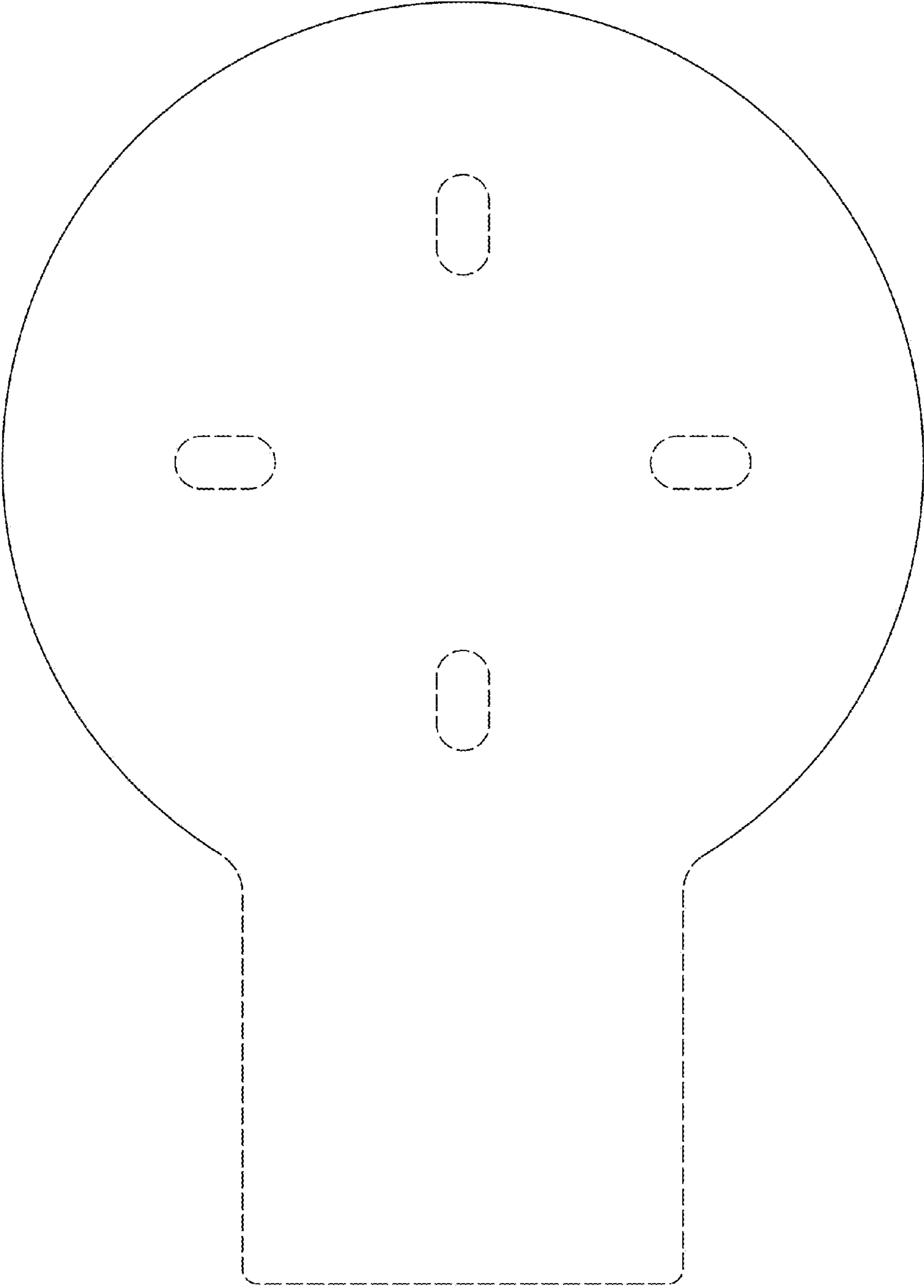


FIG. 7