



US00D705654S

(12) **United States Design Patent**
Wurth et al.

(10) **Patent No.:** **US D705,654 S**

(45) **Date of Patent:** **** May 27, 2014**

(54) **CONTAINER LID**

(71) Applicant: **Societe des Products Nestle SA, Vevey**
(CH)

(72) Inventors: **Stephen Andrew Wurth**, St. Louis, MO
(US); **Kisun Kim**, Clayton, MO (US);
Bethanie L Gasperson, Edwardsville,
IL (US); **Jacob H Ballard**, St. Louis,
MO (US)

(73) Assignee: **Societe des Produits Nestle SA, Vevey**
(CH)

(**) Term: **14 Years**

(21) Appl. No.: **29/449,592**

(22) Filed: **Mar. 15, 2013**

(51) **LOC (10) Cl.** **09-01**

(52) **U.S. Cl.**
USPC **D9/451**; D9/607; D21/654; D21/659

(58) **Field of Classification Search**
USPC D3/270-271.3; D9/600-601, 607,
D9/500-504, 516, 434, 441, 451; 206/457,
206/527; 215/400; 220/890;
229/116.1-116.2; D7/514-520, 613,
D7/619.2, 623, 628; D11/162; D21/576,
D21/654, 658-660

See application file for complete search history.

(56) **References Cited**

U.S. PATENT DOCUMENTS

D111,793 S * 10/1938 Myers D9/607

D115,652 S * 7/1939 Hendrickson D9/607
D143,379 S * 12/1945 Wormly D7/613
D154,878 S * 8/1949 Robbins D11/86
D291,779 S * 9/1987 Inaba D9/445
D309,761 S * 8/1990 Hashimoto D21/654
D487,784 S * 3/2004 Bourget D21/654
D546,061 S * 7/2007 Jhuang D3/271.2
D554,432 S * 11/2007 Roth et al. D7/516
D615,863 S * 5/2010 Walther D9/451
D661,669 S * 6/2012 Henderson et al. D3/271.2

* cited by examiner

Primary Examiner — Sandra Morris

(74) *Attorney, Agent, or Firm* — Holland & Hart LLP

(57) **CLAIM**

The ornamental design for a container lid, as shown and described.

DESCRIPTION

FIG. 1 is a perspective view of the front, top and side of a container lid showing our new design.

FIG. 2 is a left side view of the container lid shown in FIG. 1.

FIG. 3 is a right side view of the container lid shown in FIG. 1.

FIG. 4 is a rear view of the container lid shown in FIG. 1.

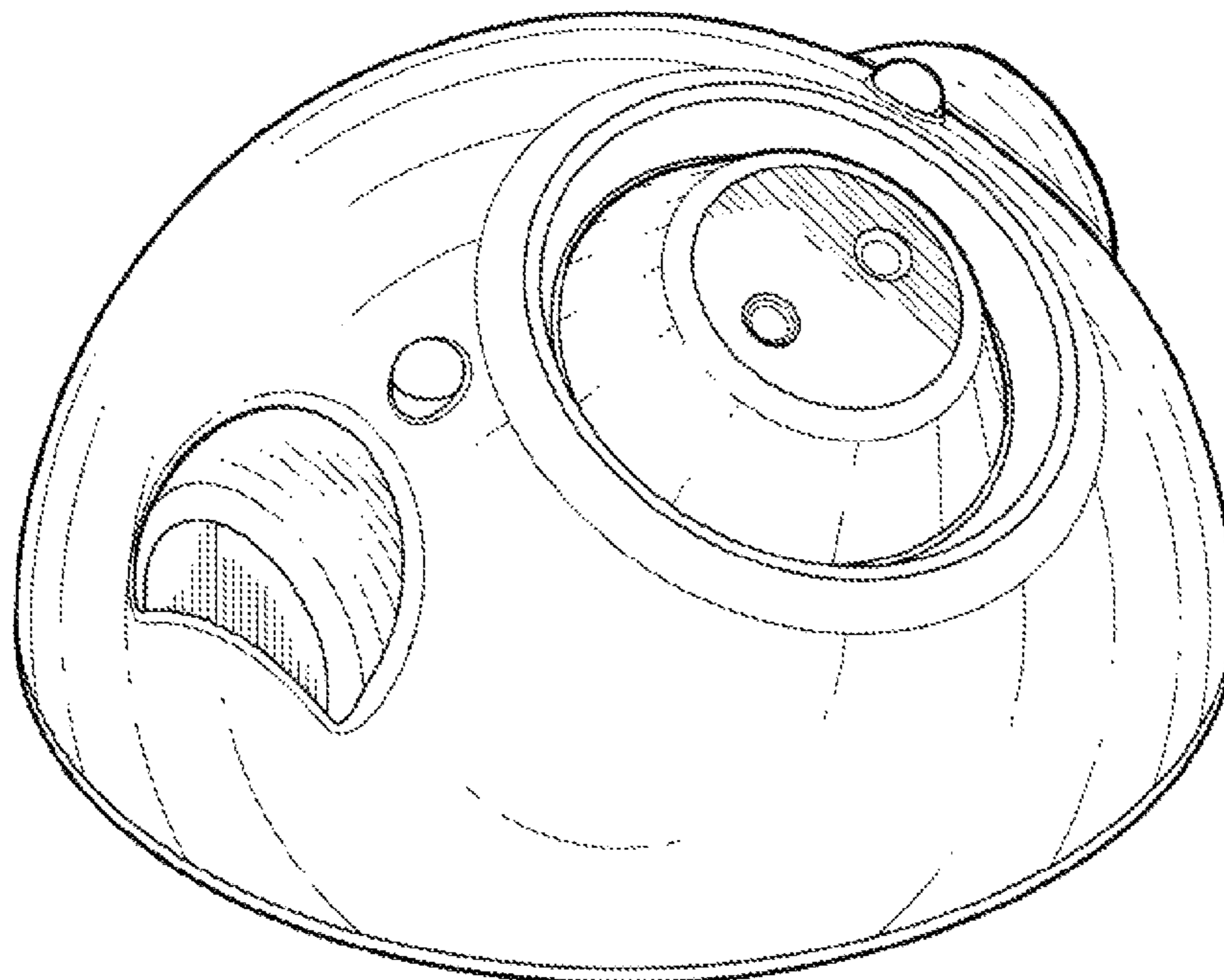
FIG. 5 is a front view of the container lid shown in FIG. 1.

FIG. 6 is a top view of the container lid shown in FIG. 1; and,

FIG. 7 is a bottom view of the container lid shown in FIG. 1.

The broken lines shown are included for the purpose of illustrating the unclaimed portions of the article and form no part of the claim.

1 Claim, 7 Drawing Sheets



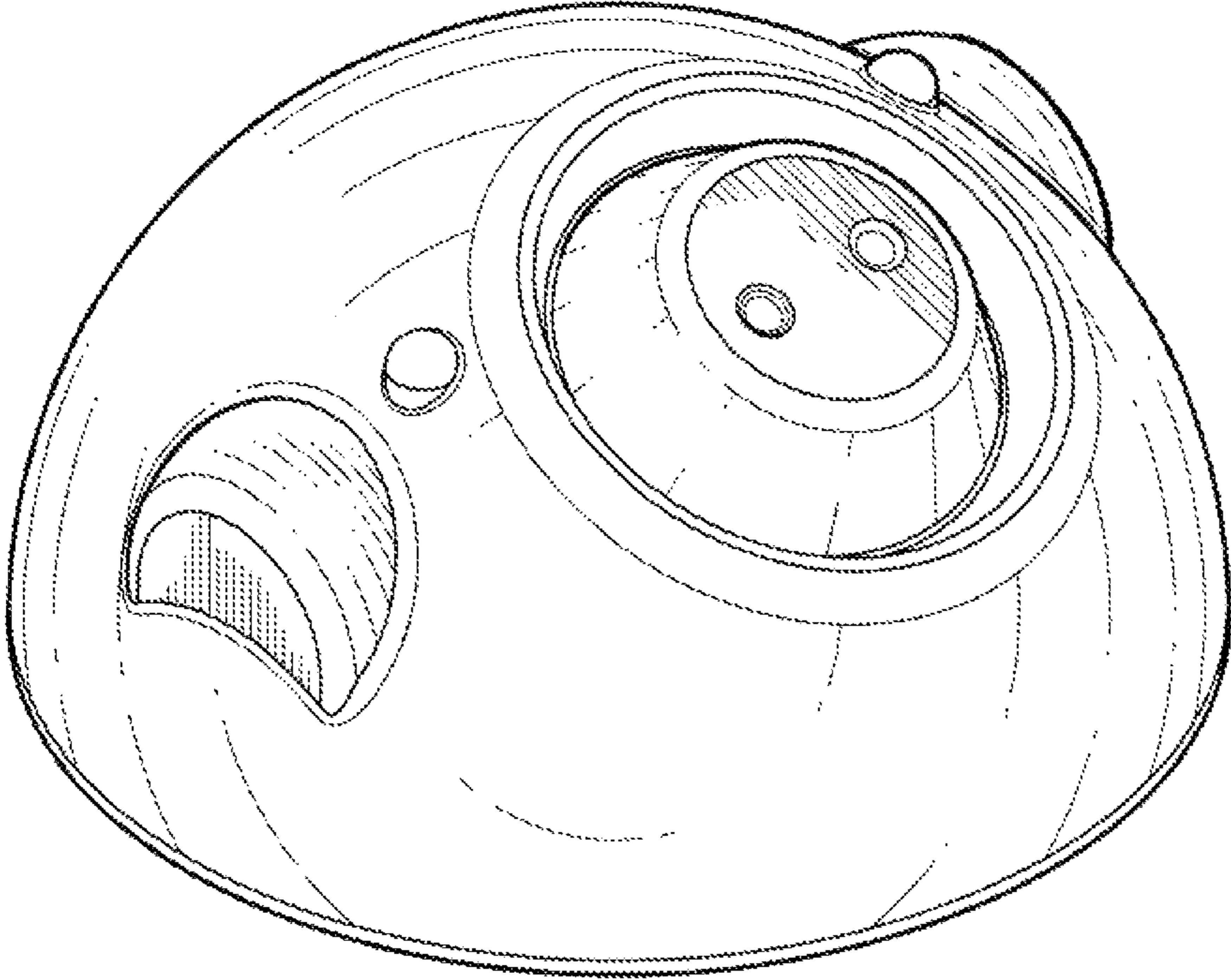


FIG. 1

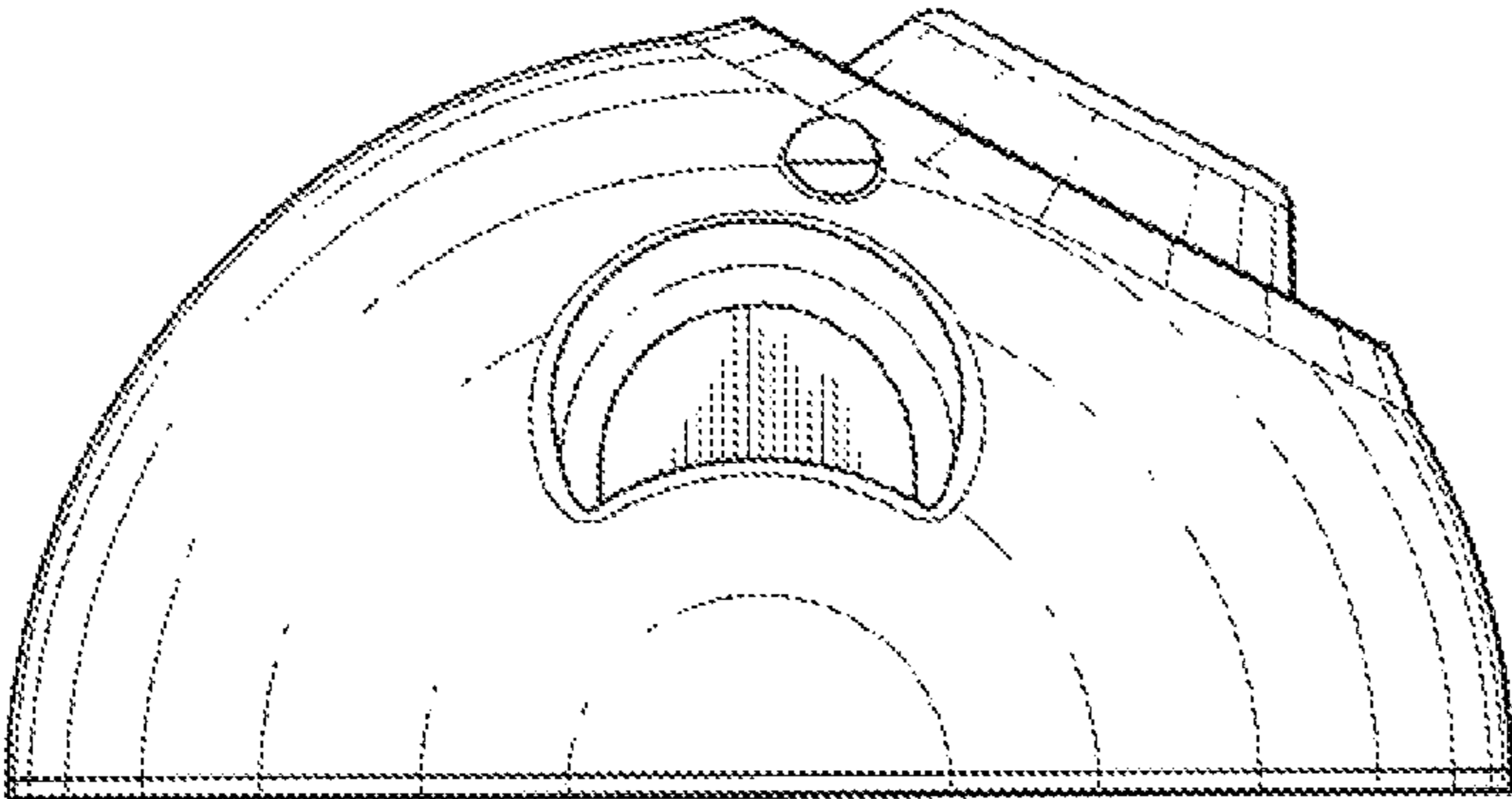


FIG. 2

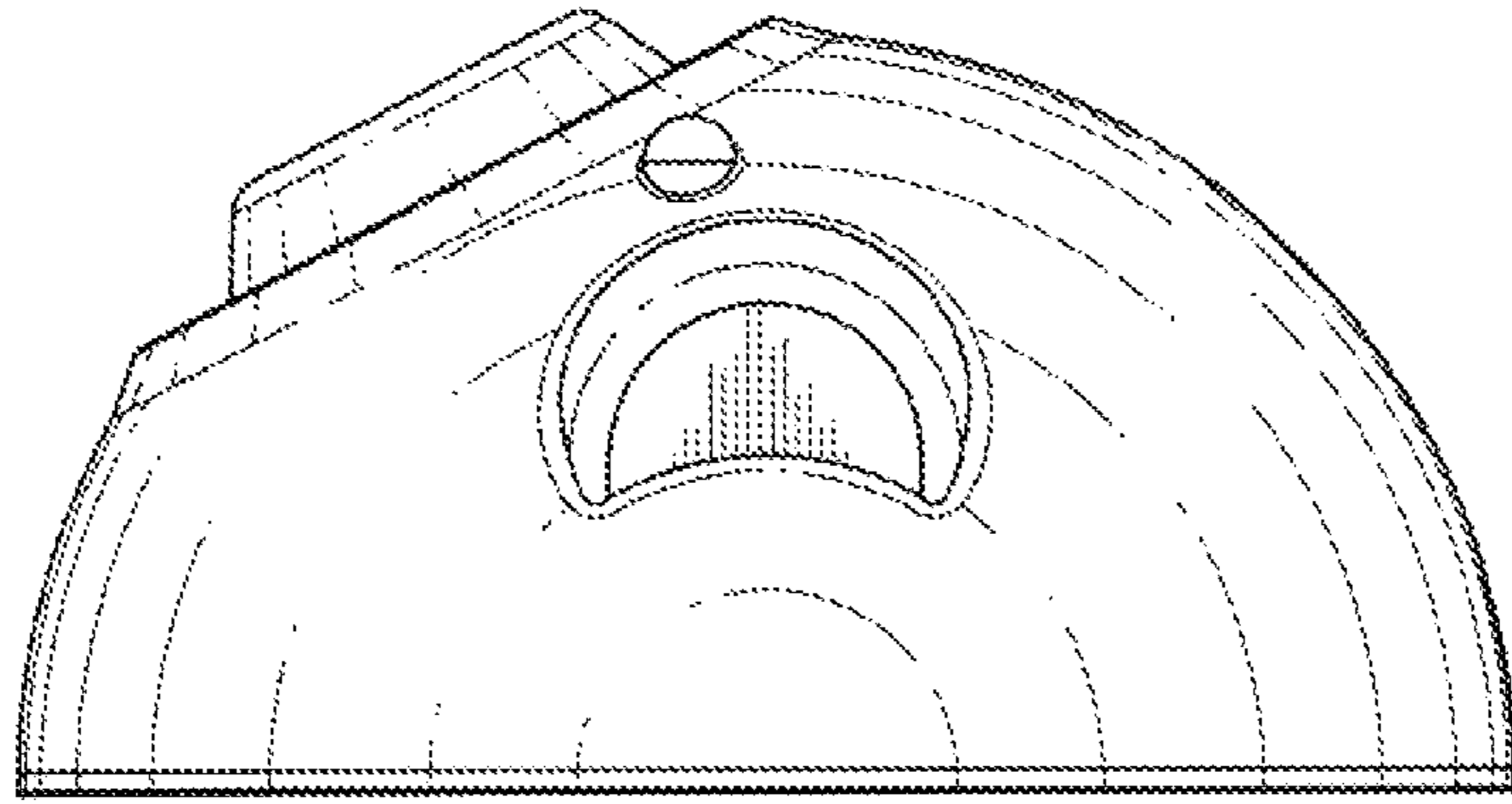


FIG. 3

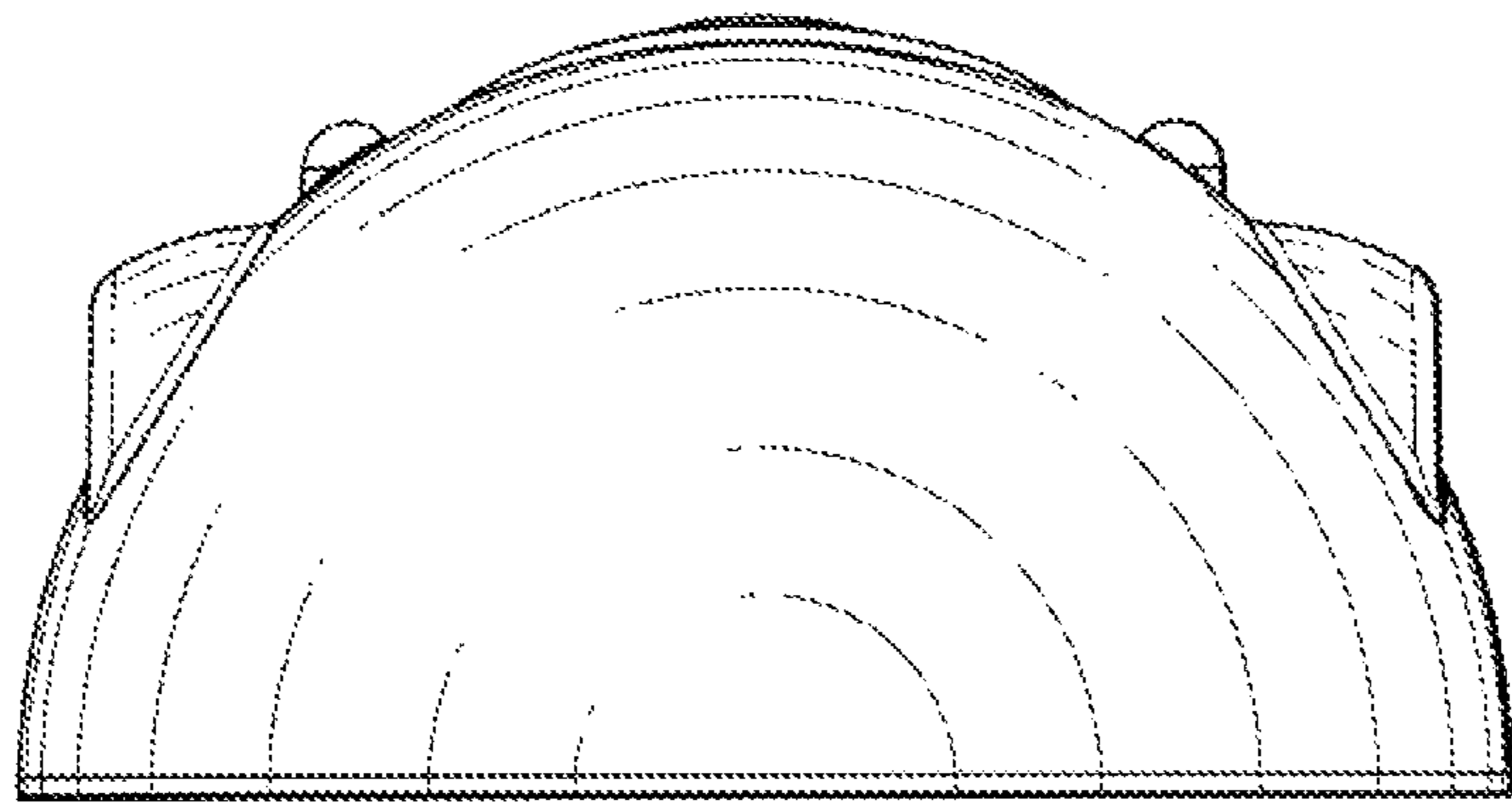


FIG. 4

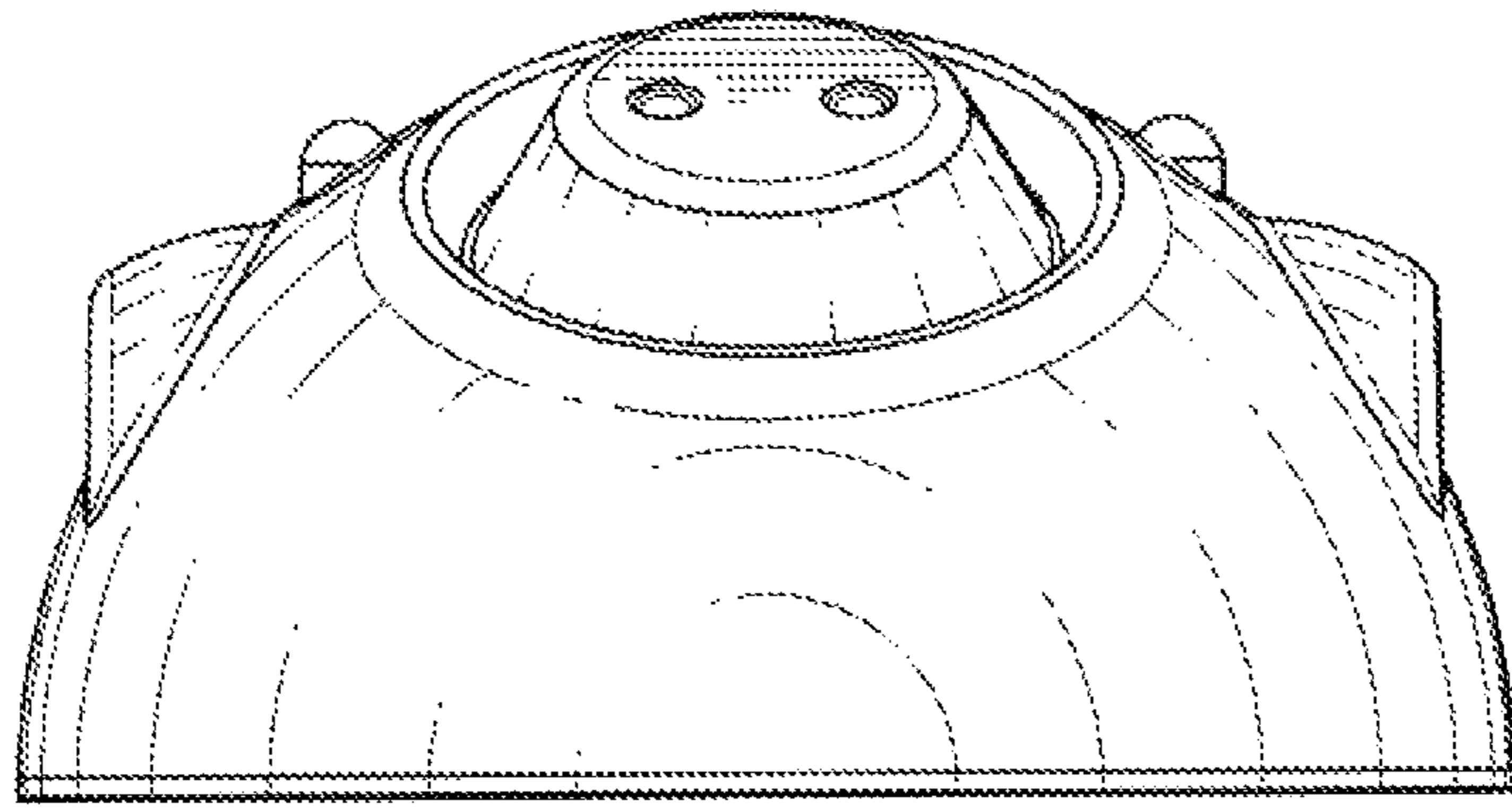


FIG. 5

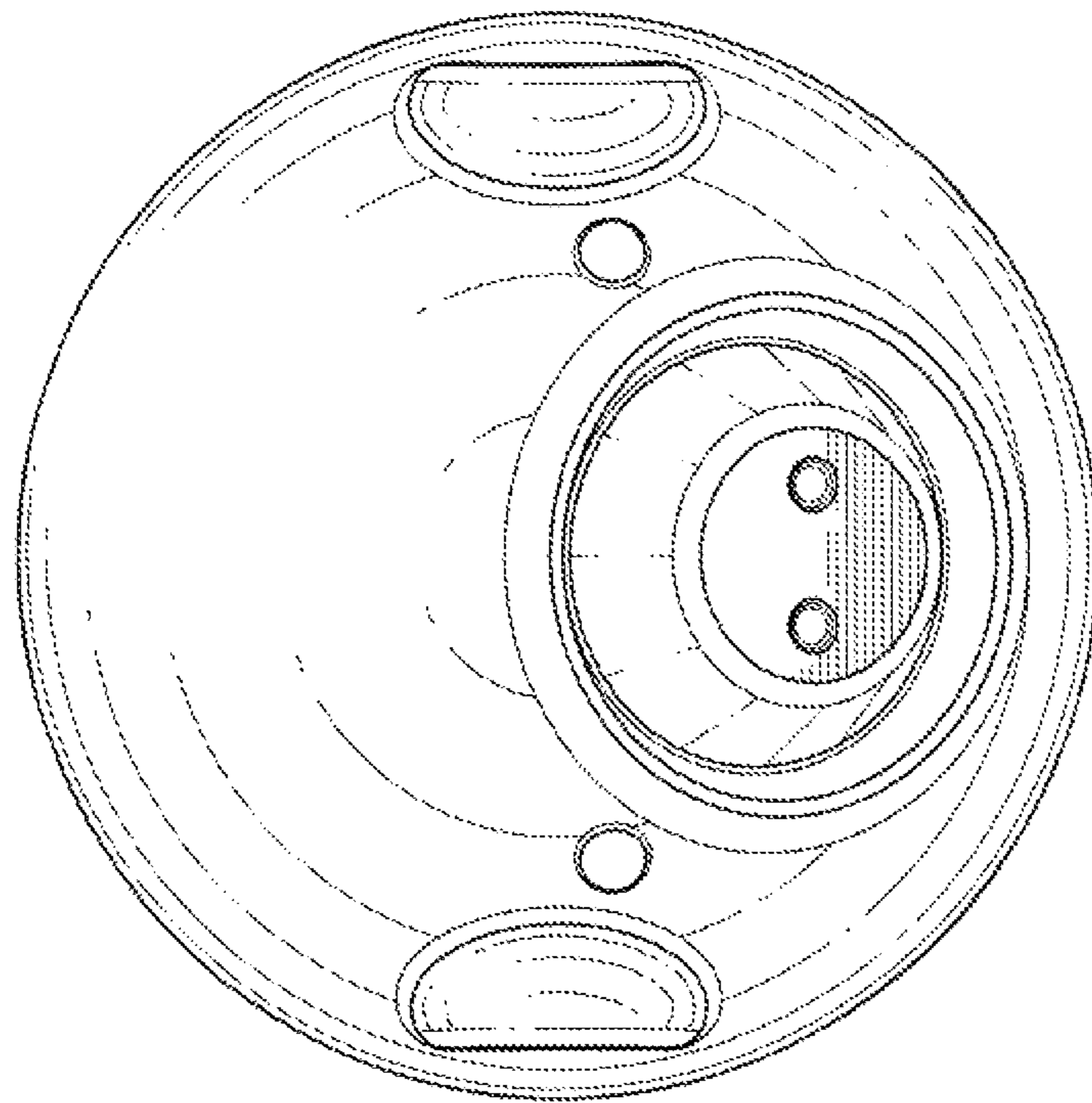


FIG. 6

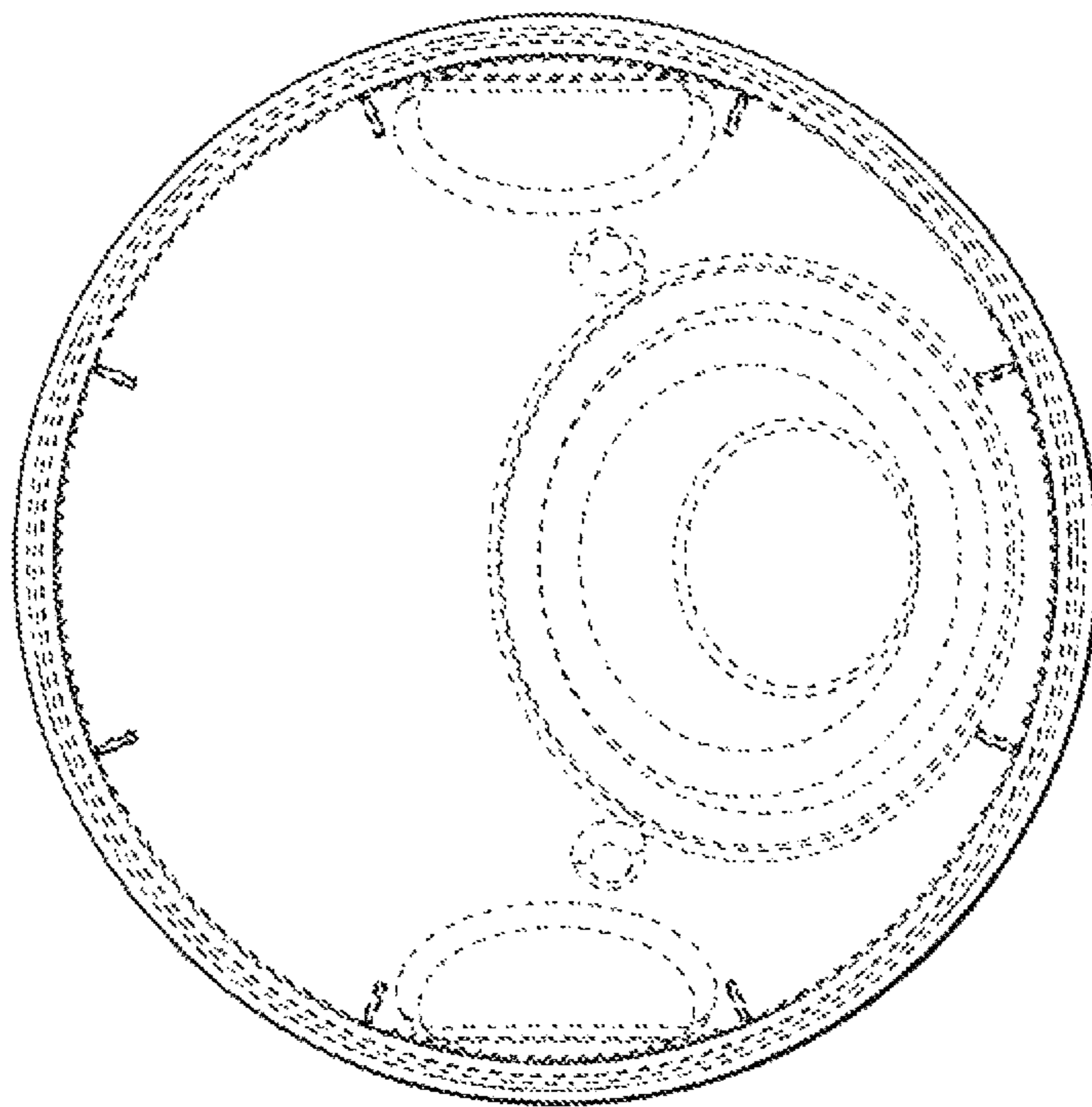


FIG. 7