



US00D705653S

(12) **United States Design Patent**  
**Sweeton**

(10) **Patent No.:** **US D705,653 S**  
(45) **Date of Patent:** **\*\* May 27, 2014**

- (54) **TRIGGER SPRAYER SHROUD WITH FLAT TOP**
- (71) Applicant: **MeadWestvaco Calmar, Inc.**,  
Grandview, MO (US)
- (72) Inventor: **Steven L. Sweeton**, Lake Winnebago,  
MO (US)
- (73) Assignee: **MeadWestvaco Calmar, Inc.**,  
Richmond, VA (US)
- (\*\*) Term: **14 Years**
- (21) Appl. No.: **29/455,113**
- (22) Filed: **May 16, 2013**
- (51) **LOC (10) Cl.** ..... **09-07**
- (52) **U.S. Cl.**  
USPC ..... **D9/449**
- (58) **Field of Classification Search**  
USPC ..... D9/434, 448, 682-694, 445; 229/337;  
D23/224, 227; 239/573  
See application file for complete search history.

(56) **References Cited**

U.S. PATENT DOCUMENTS

D423,934 S \* 5/2000 Brozell ..... D9/448  
6,981,658 B2 \* 1/2006 Streutker et al. .... 239/337

(Continued)

FOREIGN PATENT DOCUMENTS

KR 300462745 \* 3/2007

*Primary Examiner* — Eric Goodman

*Assistant Examiner* — Brett Miller

(74) *Attorney, Agent, or Firm* — MeadWestvaco Intellectual  
Property Group

(57) **CLAIM**

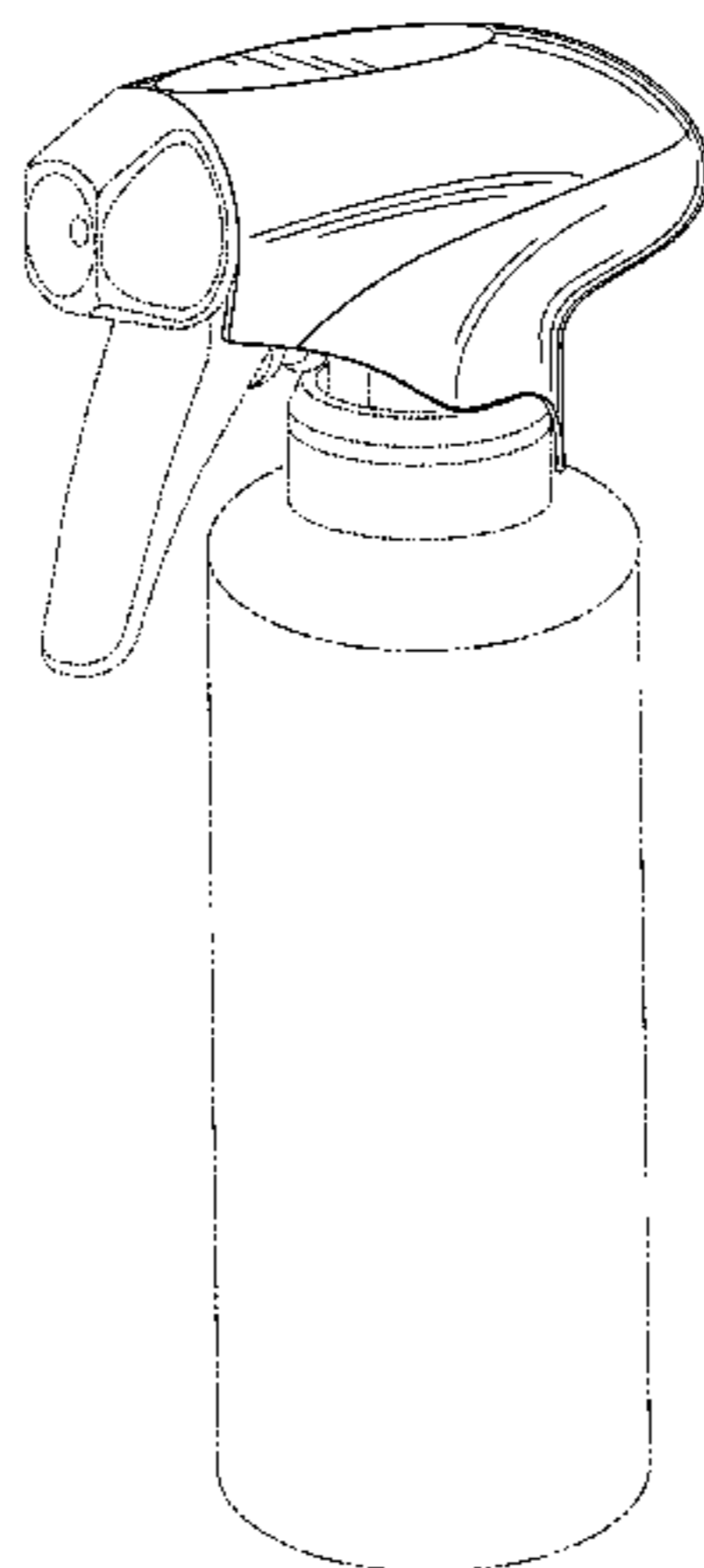
The ornamental design for a trigger sprayer shroud with flat top, as shown and described.

**DESCRIPTION**

FIG. 1 is a perspective view of a trigger sprayer shroud with flat top showing the new design;  
FIG. 2 is a left view of the new design;  
FIG. 3 is a right view of the new design;

FIG. 4 is a front perspective view of the new design;  
FIG. 5 is a back perspective view of the new design;  
FIG. 6 is a top view of the new design;  
FIG. 7 is a perspective view of a trigger sprayer shroud with flat top showing an alternative embodiment of the new design;  
FIG. 8 is a left view of the alternative embodiment of the new design;  
FIG. 9 is a right view of the alternative embodiment of the new design;  
FIG. 10 is a front perspective view of the alternative embodiment of the new design;  
FIG. 11 is a back perspective view of the alternative embodiment of the new design;  
FIG. 12 is a top view of the alternative embodiment of the new design;  
FIG. 13 is a perspective view of a trigger sprayer shroud with flat top showing a second alternative embodiment of the new design;  
FIG. 14 is a left view of the second alternative embodiment of the new design;  
FIG. 15 is a right view of the second alternative embodiment of the new design;  
FIG. 16 is a front perspective view of the second alternative embodiment of the new design;  
FIG. 17 is a back perspective view of the second alternative embodiment of the new design;  
FIG. 18 is a top view of the second alternative embodiment of the new design;  
FIG. 19 is a perspective view of a trigger sprayer shroud with flat top showing a third alternative embodiment of the new design;  
FIG. 20 is a left view of the third alternative embodiment of the new design;  
FIG. 21 is a right view of the third alternative embodiment of the new design;  
FIG. 22 is a front perspective view of the third alternative embodiment of the new design;  
FIG. 23 is a back perspective view of the third alternative embodiment of the new design; and  
FIG. 24 is a top view of the third alternative embodiment of the new design.  
The broken-line disclosure is understood to represent portions of the article in which the claimed design is embodied, but which form no part of the claimed design.

**1 Claim, 12 Drawing Sheets**



(56)

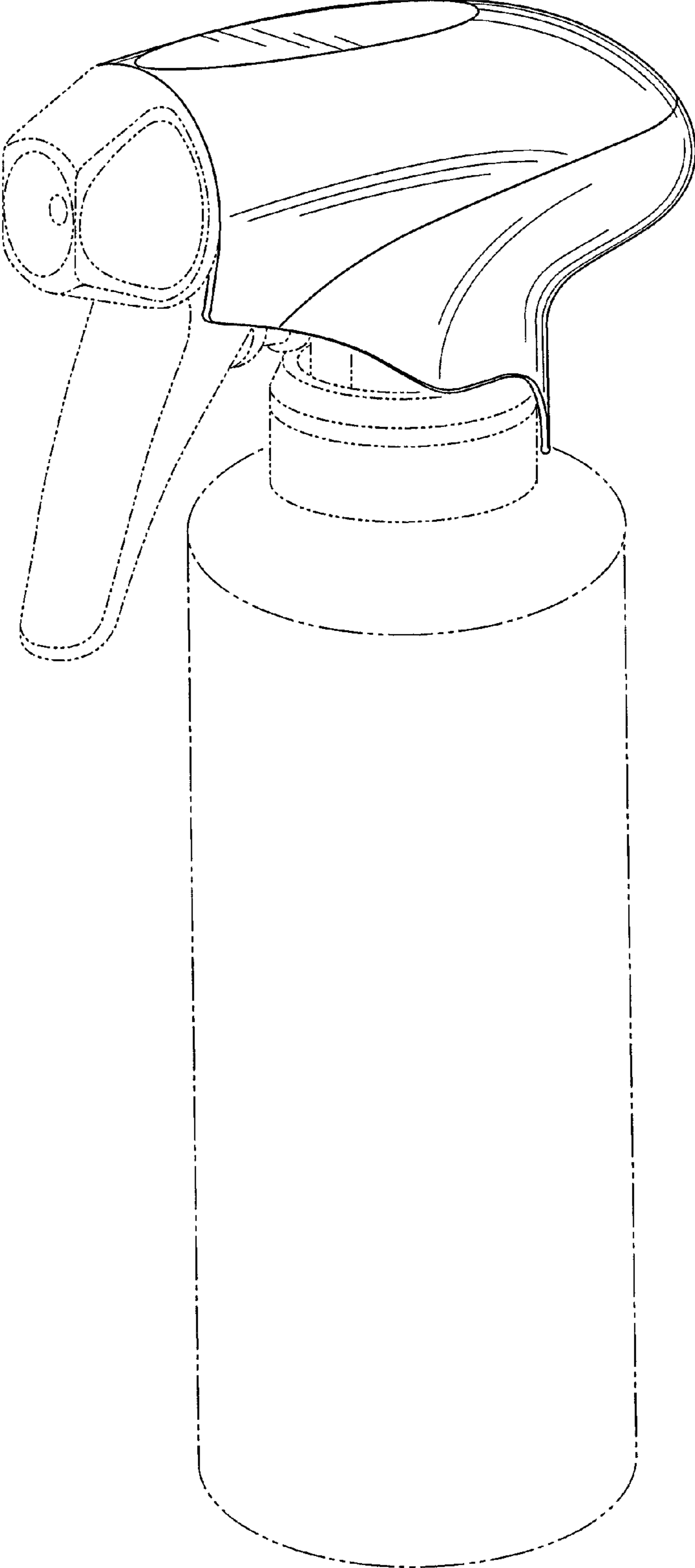
**References Cited**

U.S. PATENT DOCUMENTS

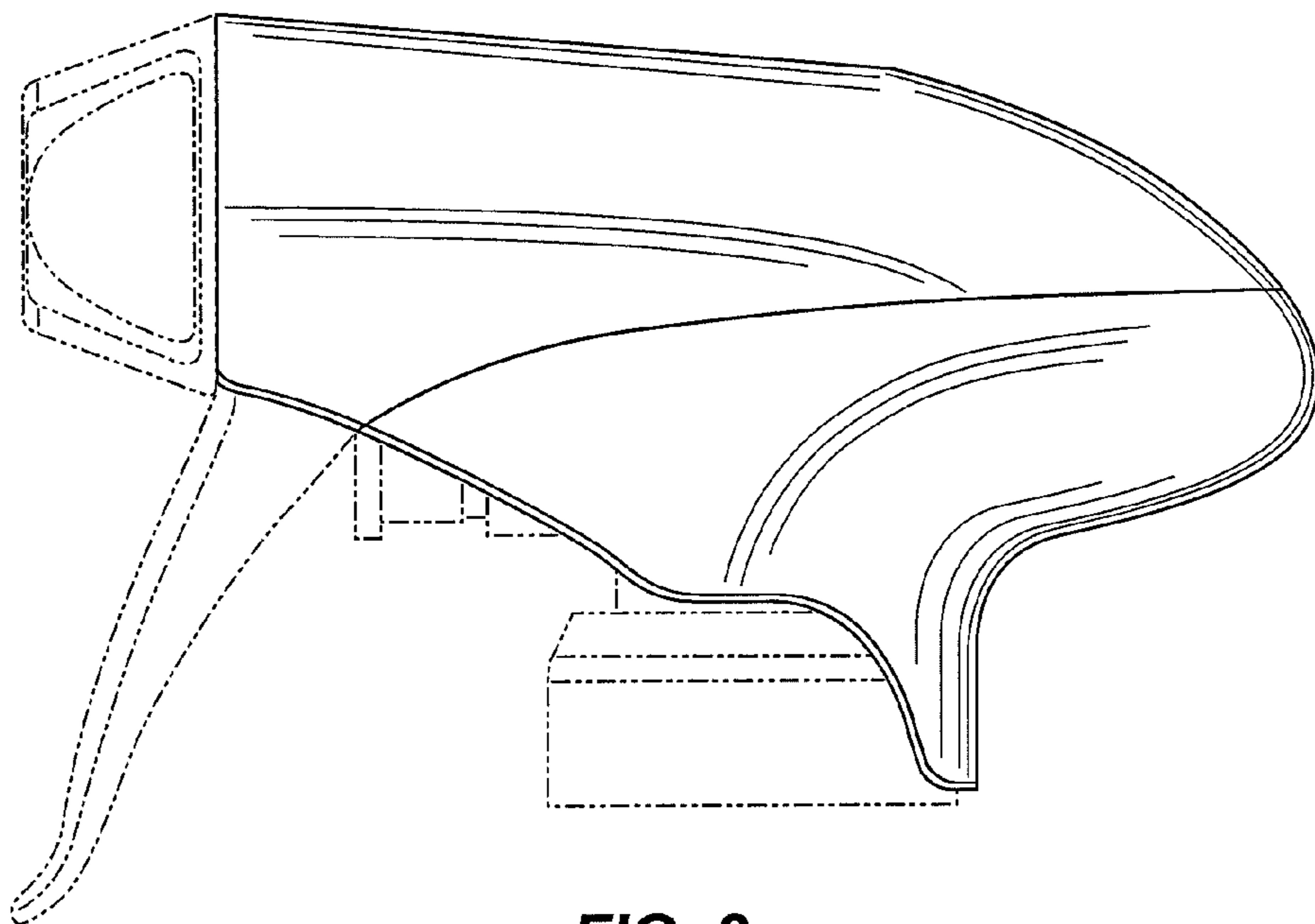
D521,864 S \* 5/2006 Cartoni ..... D9/448  
D569,249 S \* 5/2008 Seum et al. .... D9/448  
D583,669 S \* 12/2008 Seum et al. .... D9/448

D601,896 S \* 10/2009 Buogo et al. .... D9/448  
D602,779 S \* 10/2009 Buogo et al. .... D9/448  
D668,551 S \* 10/2012 Kersten ..... D9/685  
D674,706 S \* 1/2013 Birdwell et al. .... D9/685  
D692,775 S \* 11/2013 Burgeson ..... D9/448

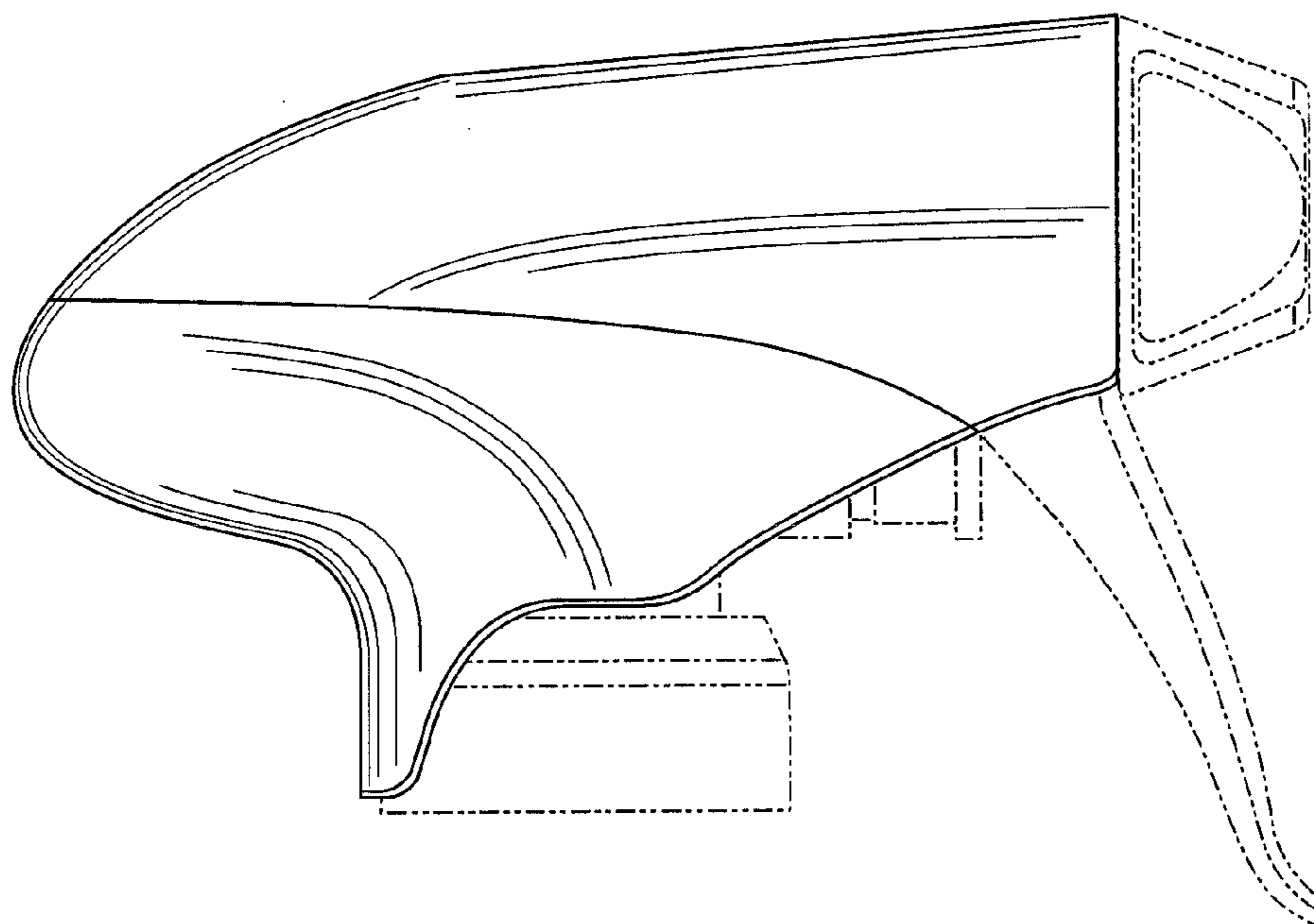
\* cited by examiner



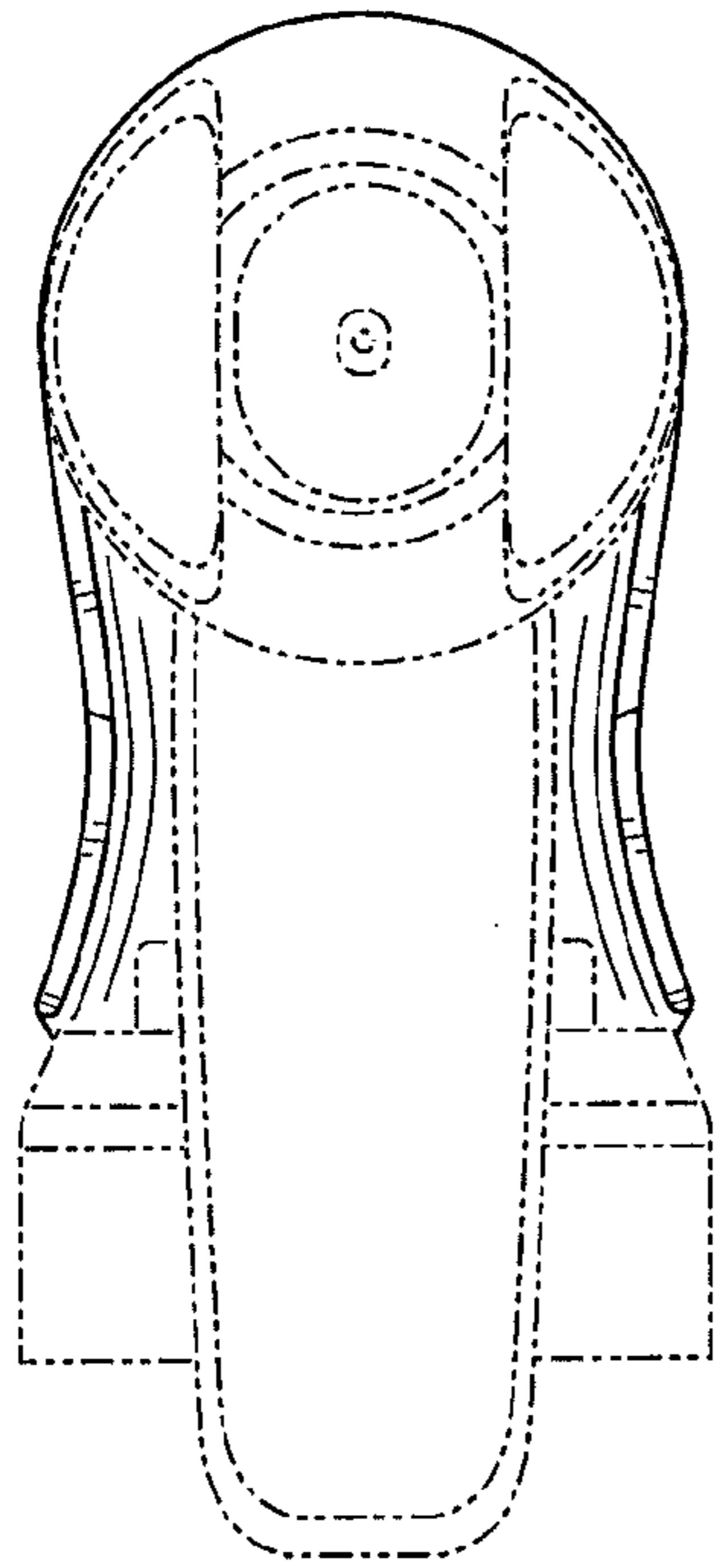
**FIG. 1**



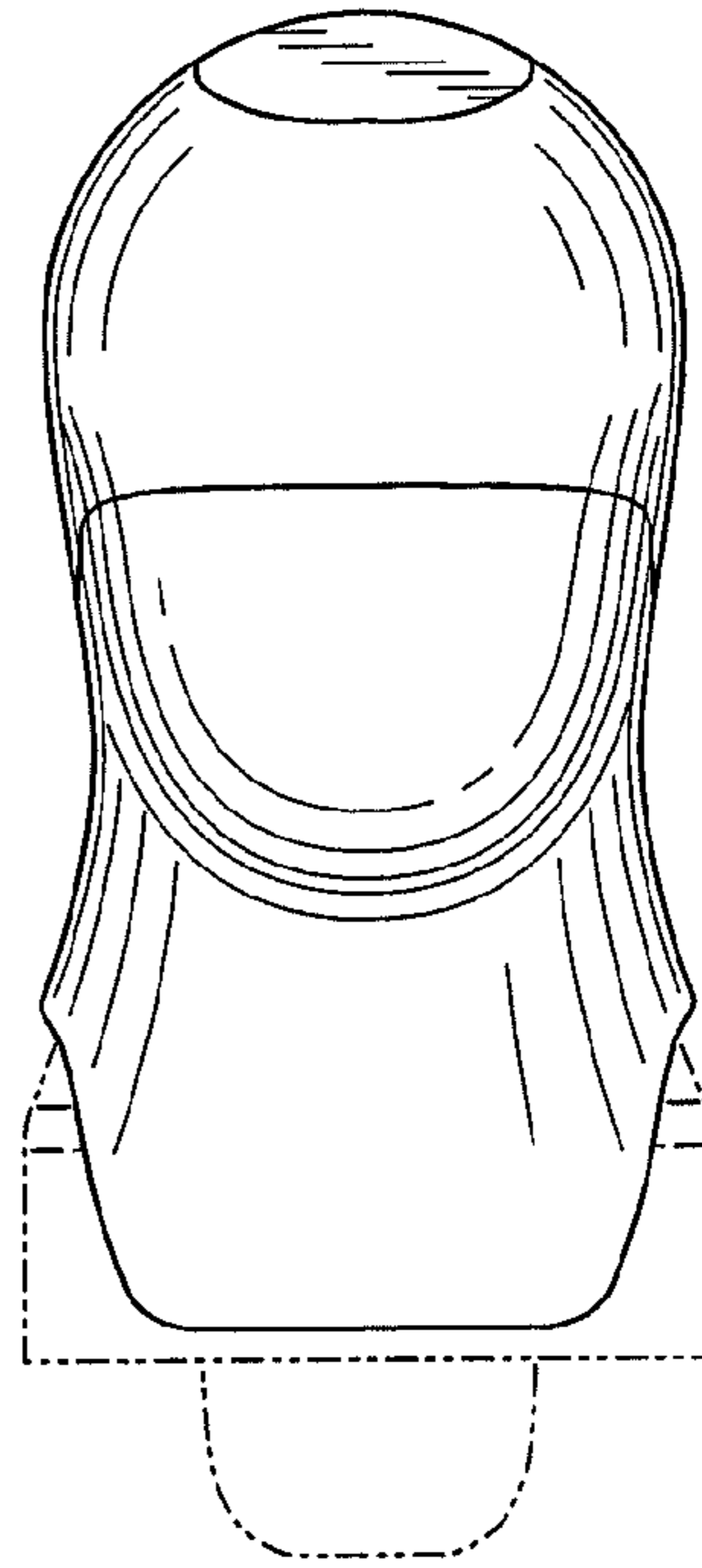
**FIG. 2**



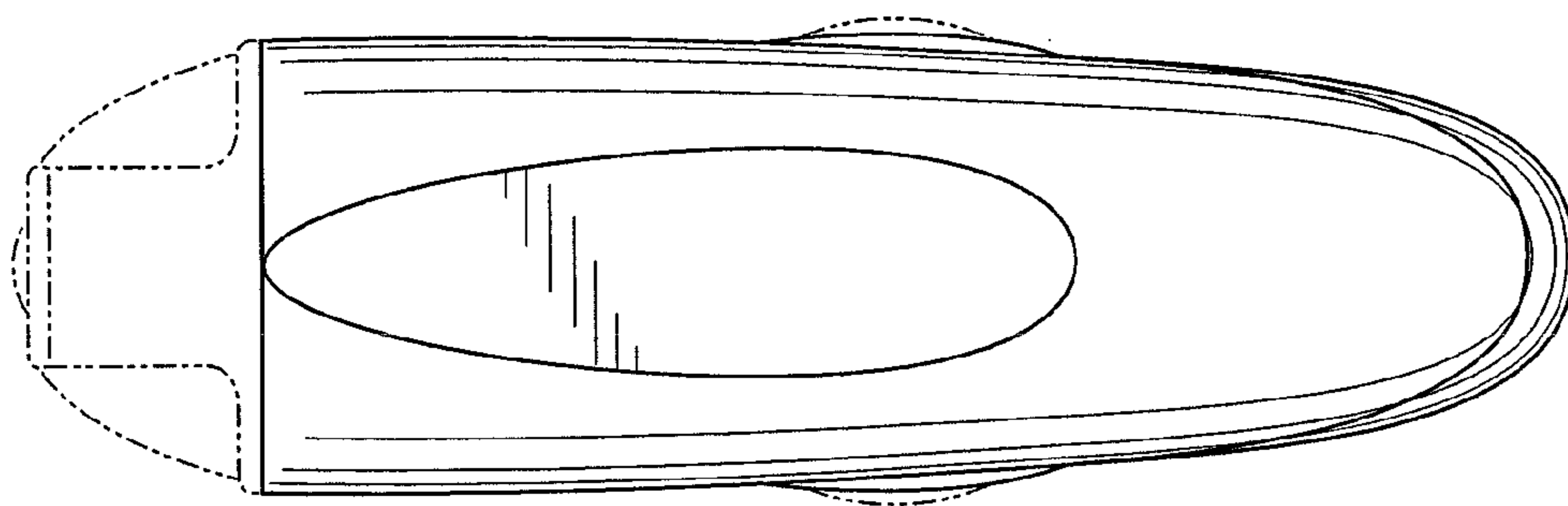
**FIG. 3**



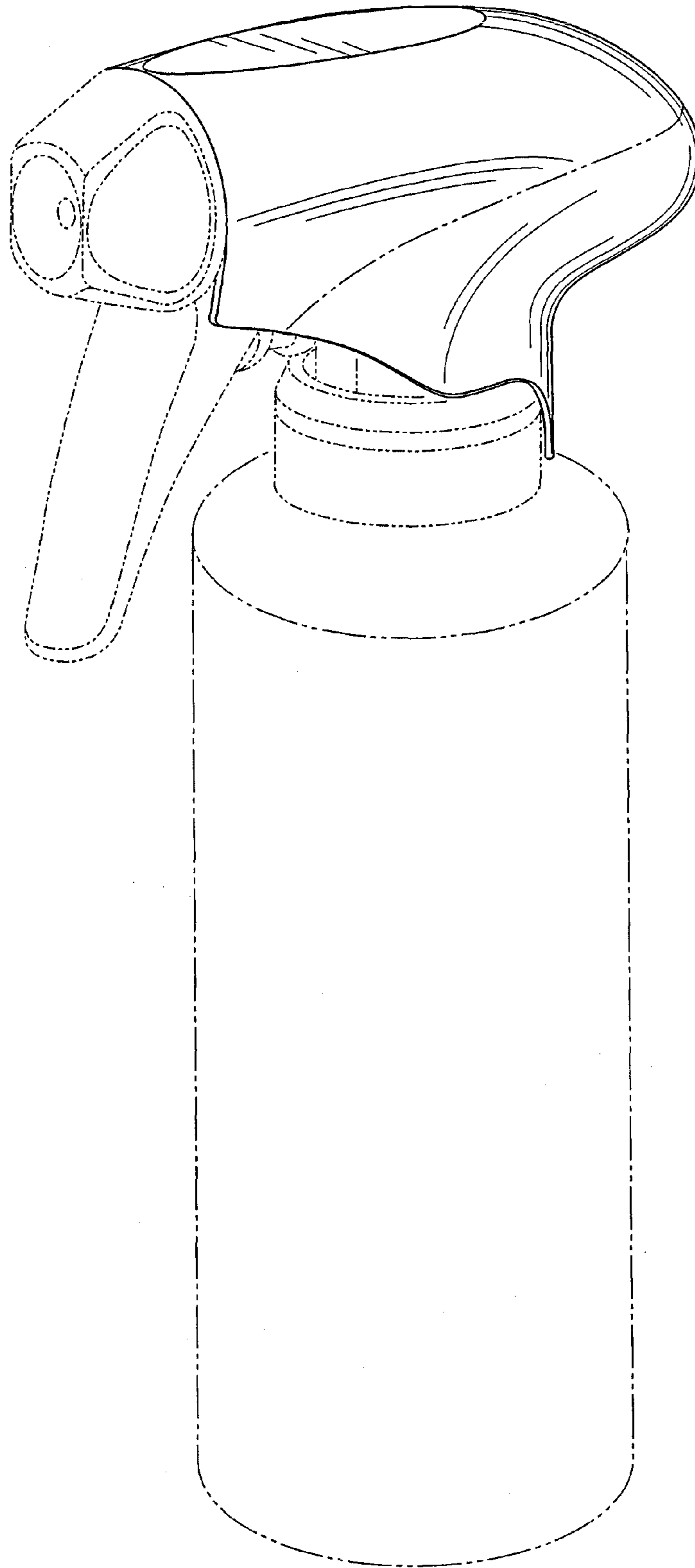
**FIG. 4**



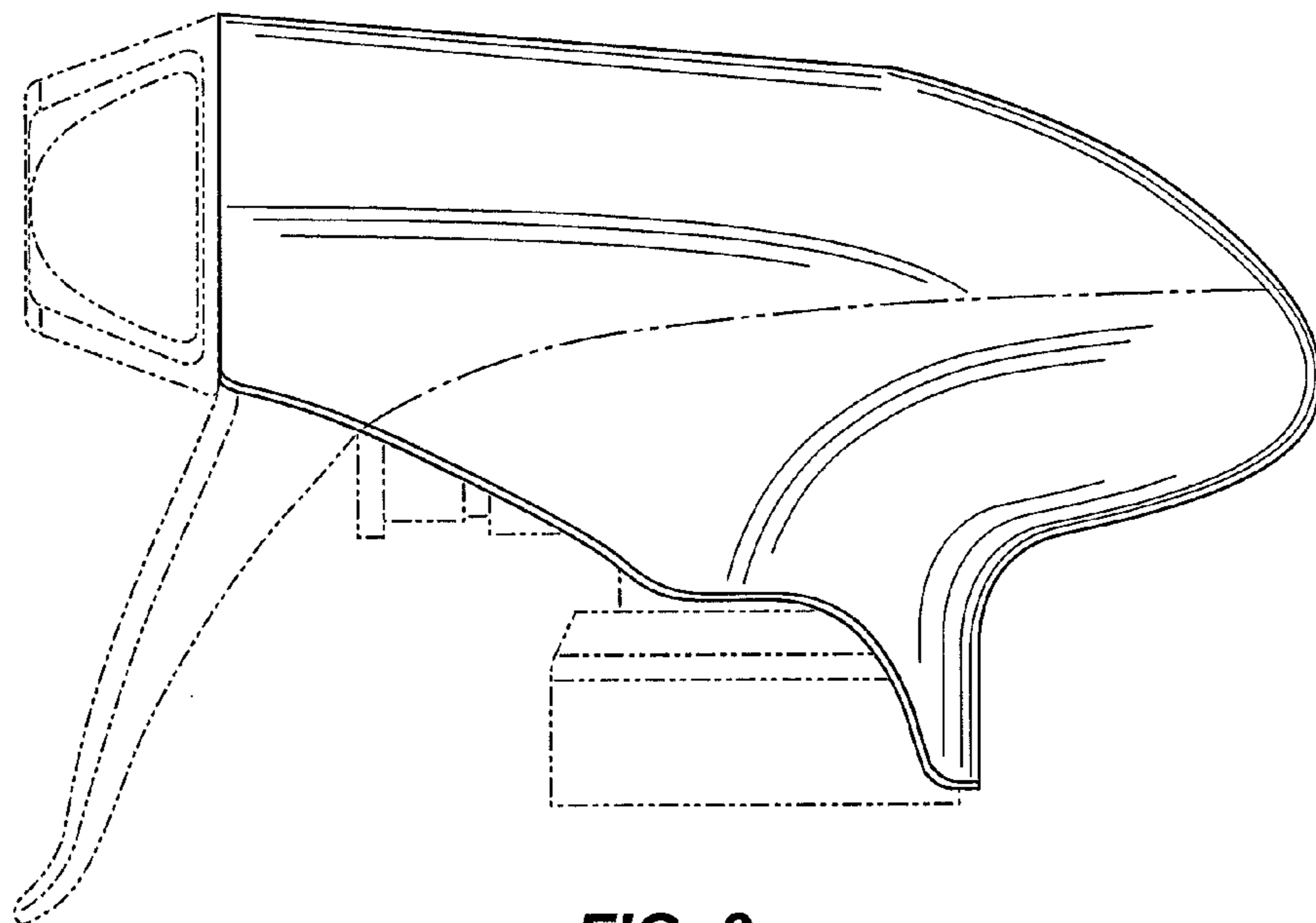
**FIG. 5**



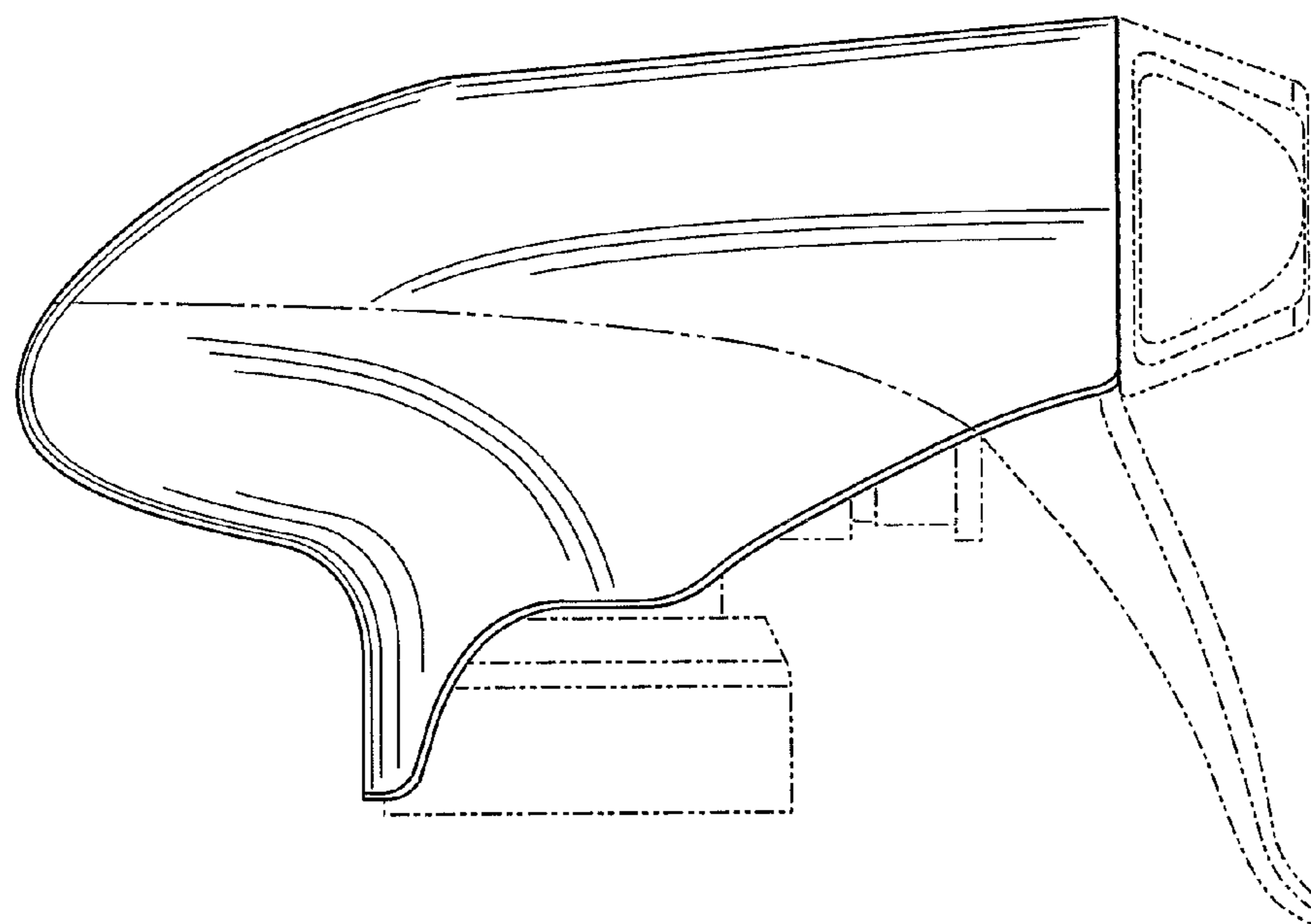
**FIG. 6**



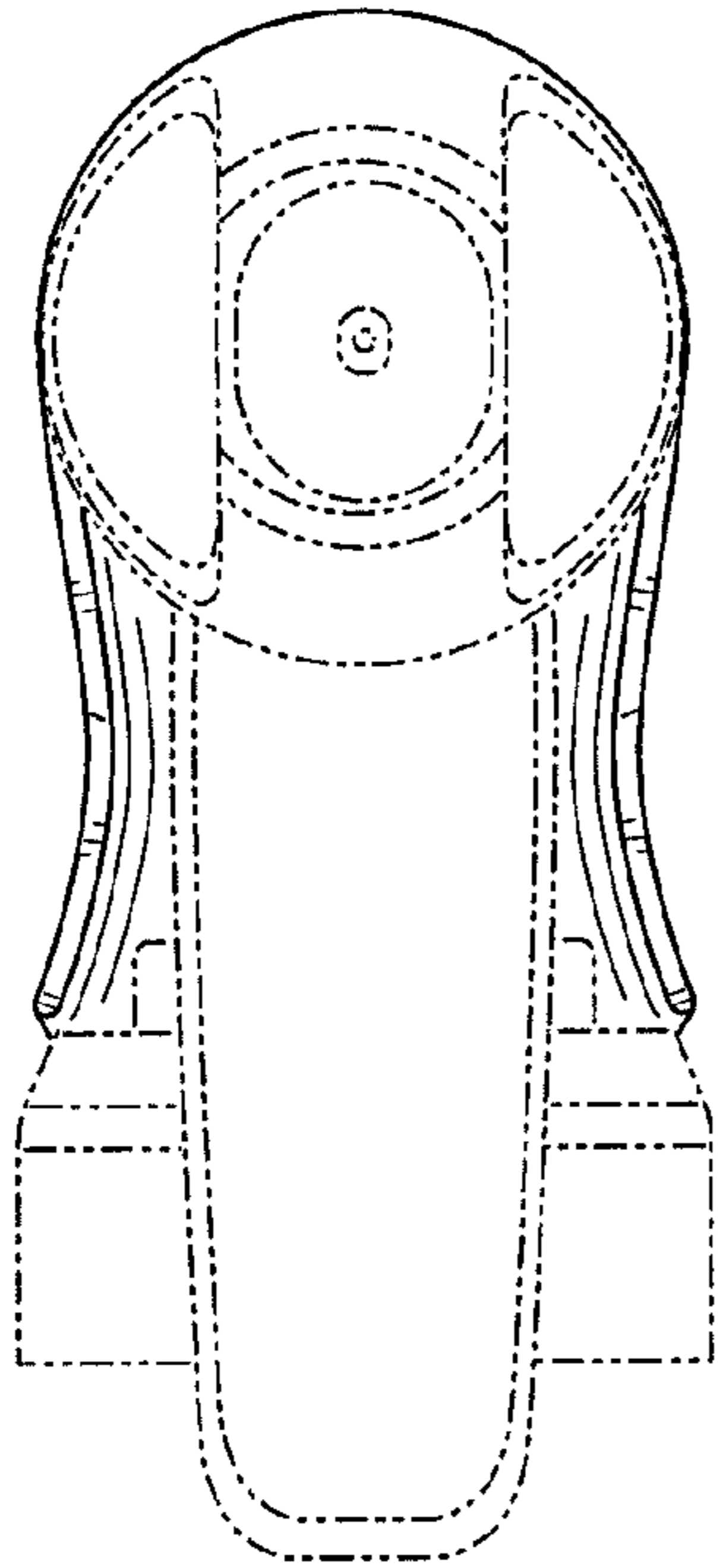
**FIG. 7**



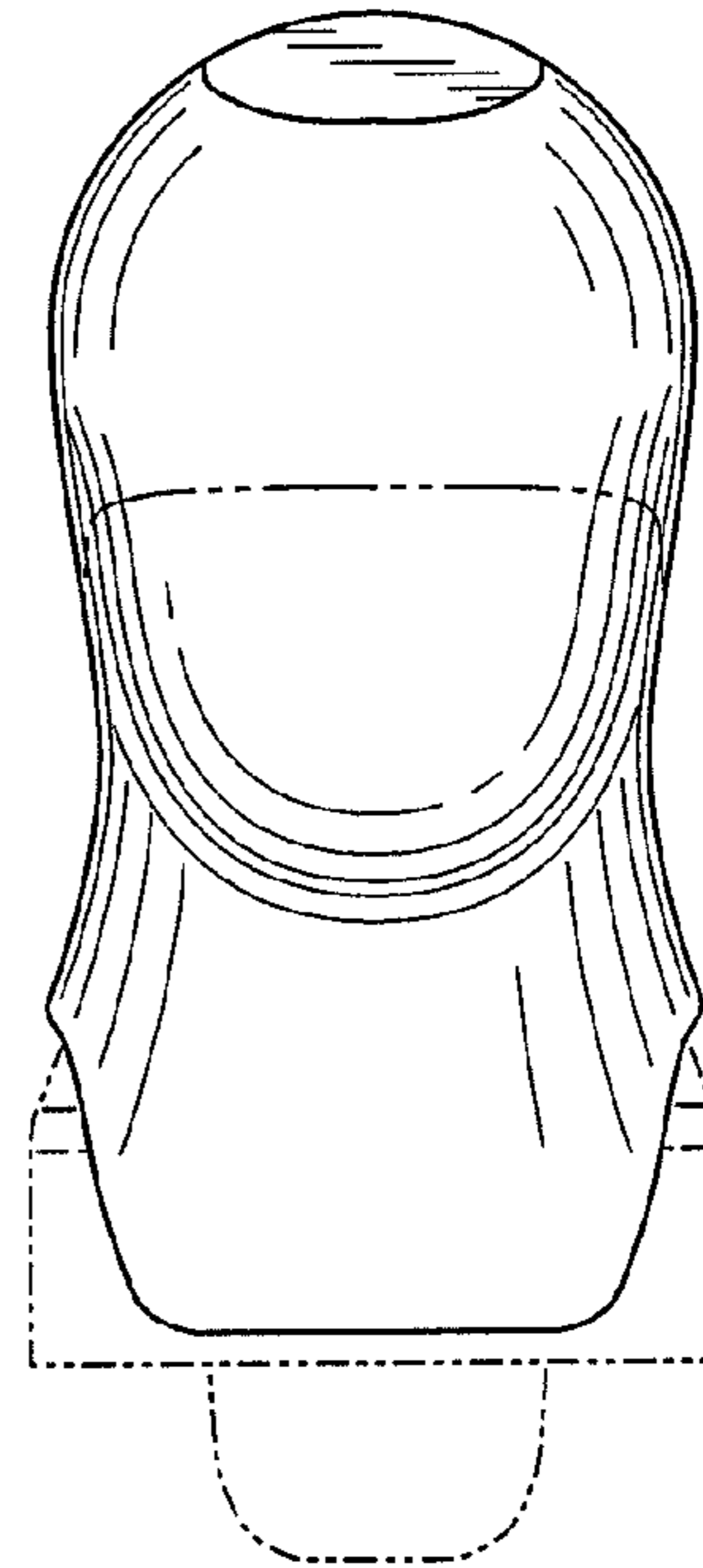
**FIG. 8**



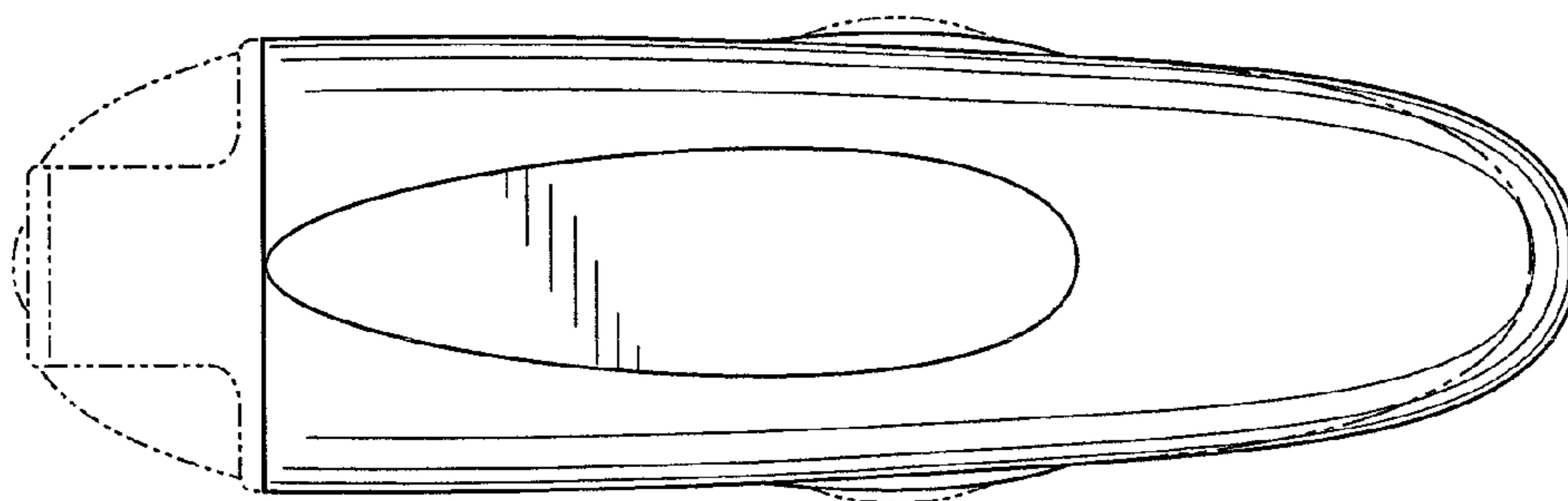
**FIG. 9**



**FIG. 10**

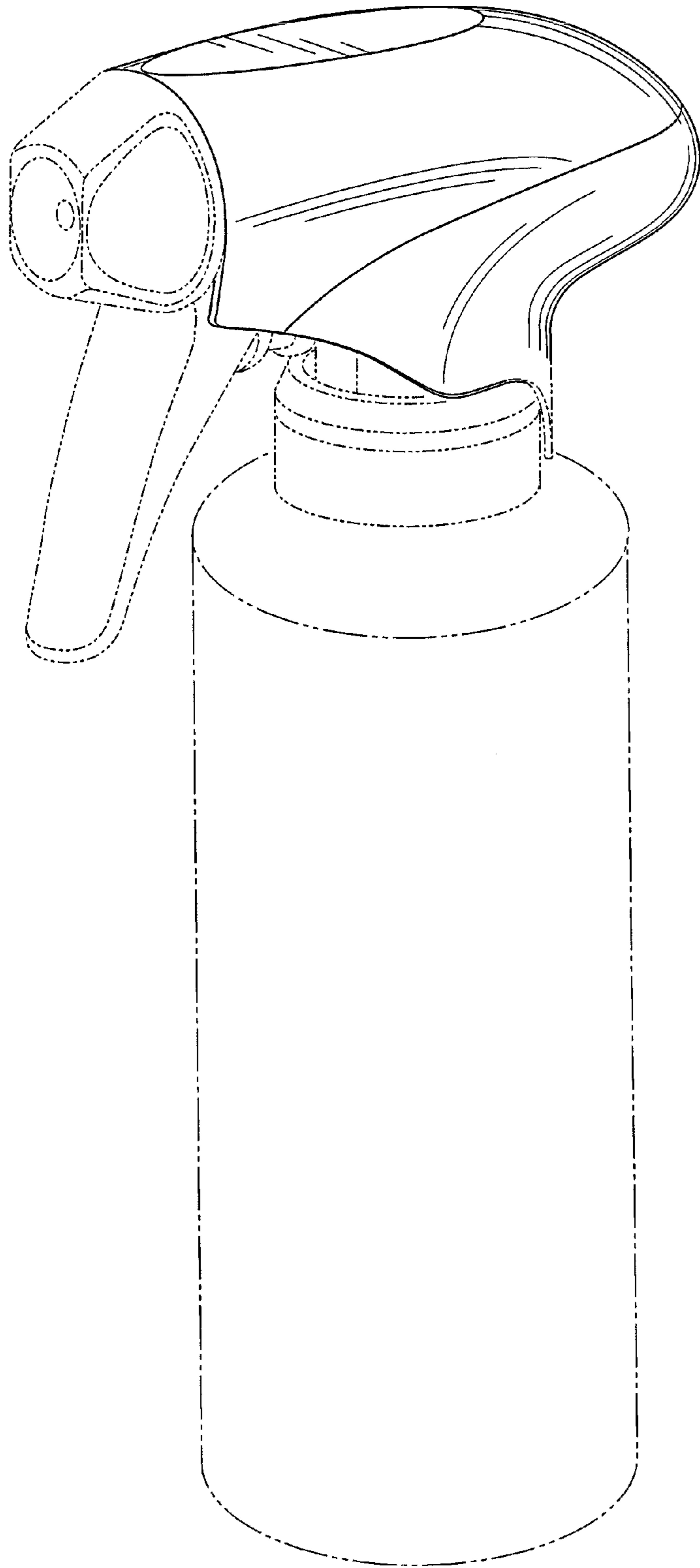


**FIG. 11**

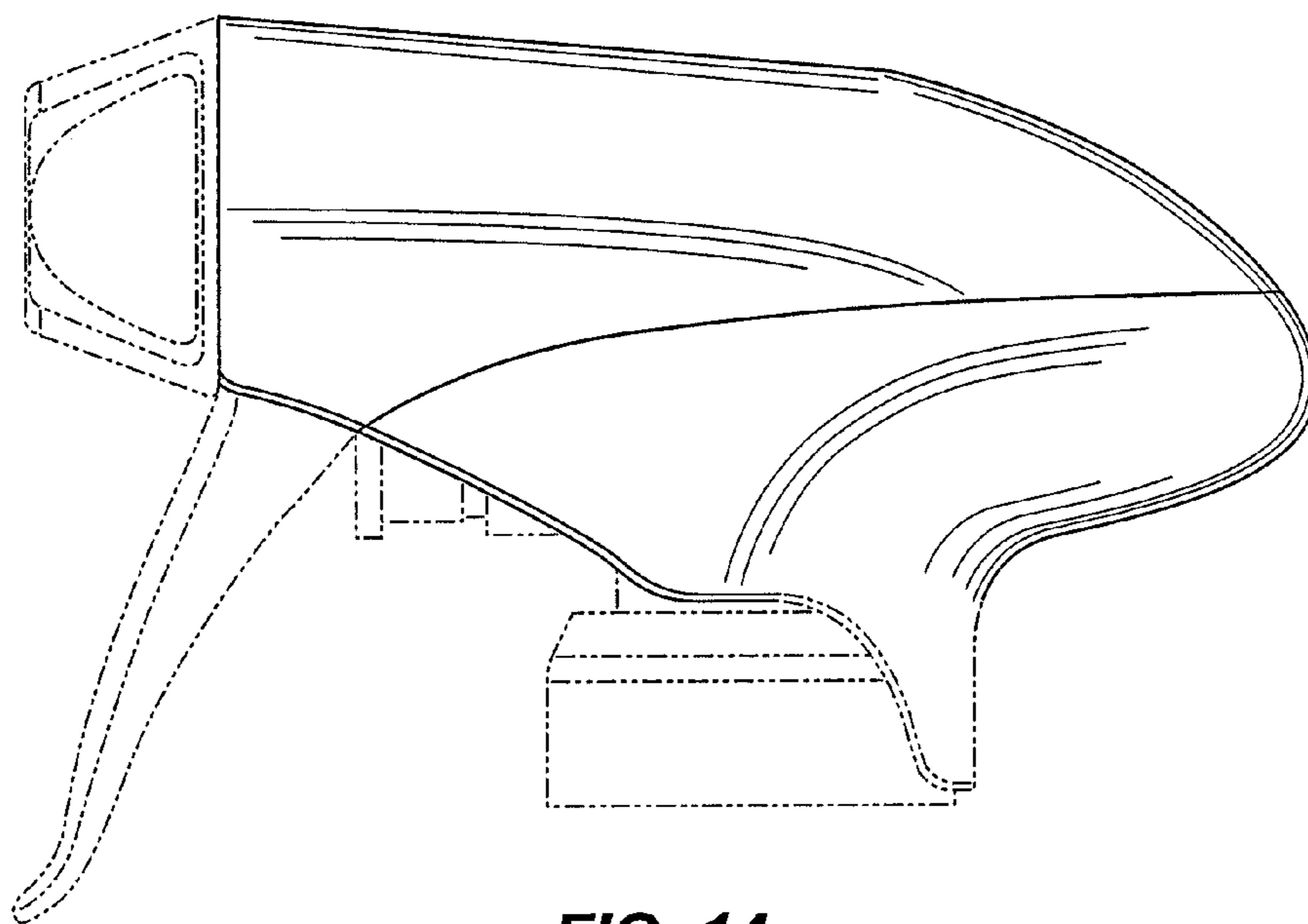


**FIG. 12**

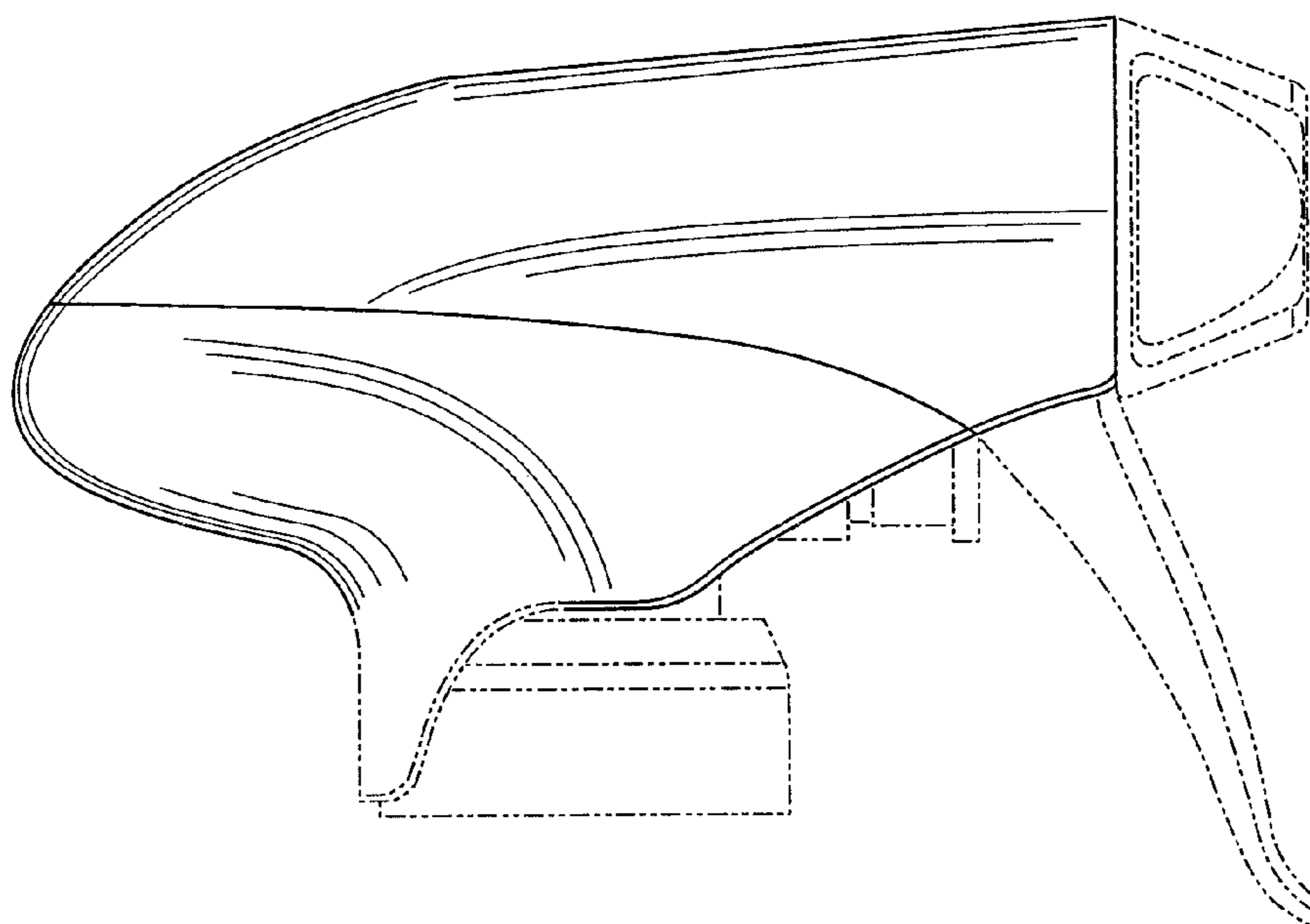




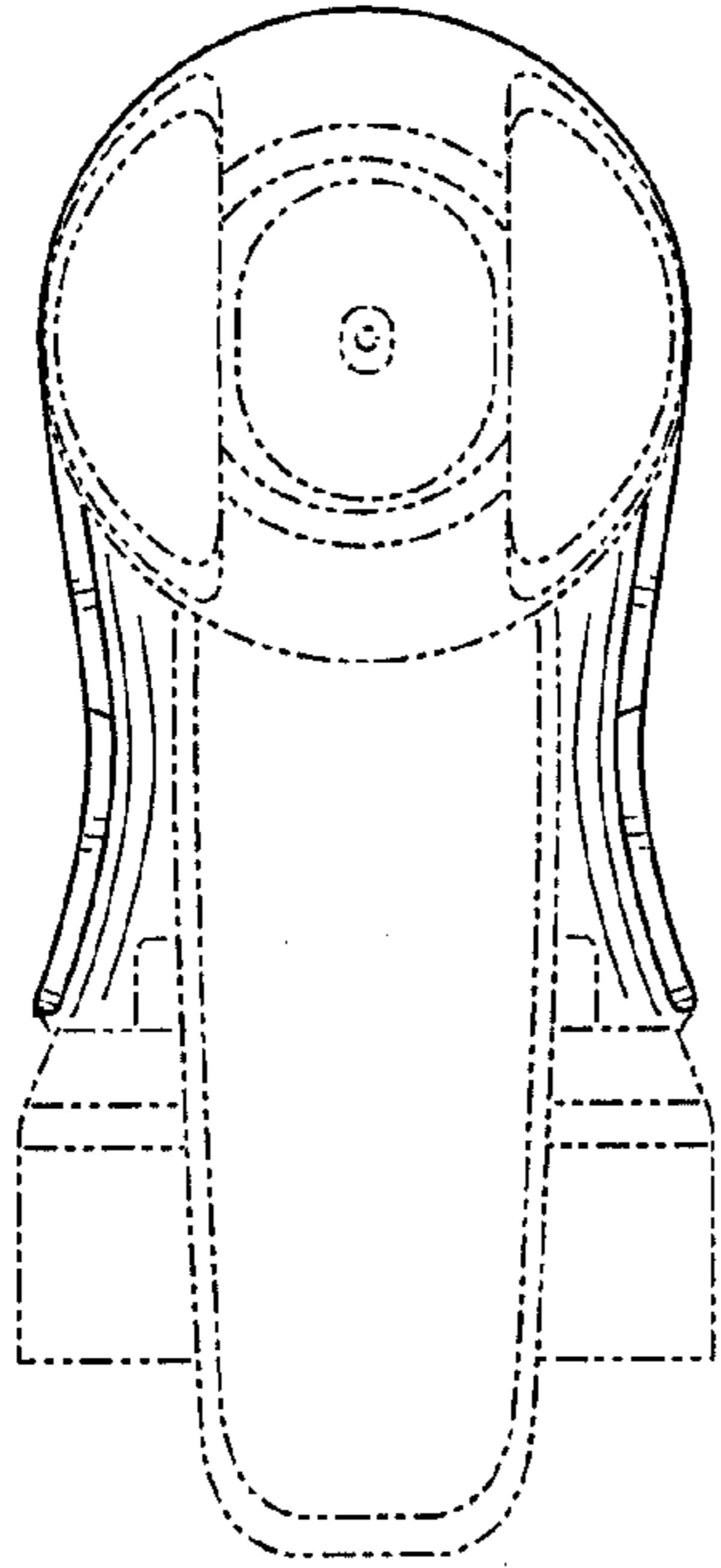
**FIG. 13**



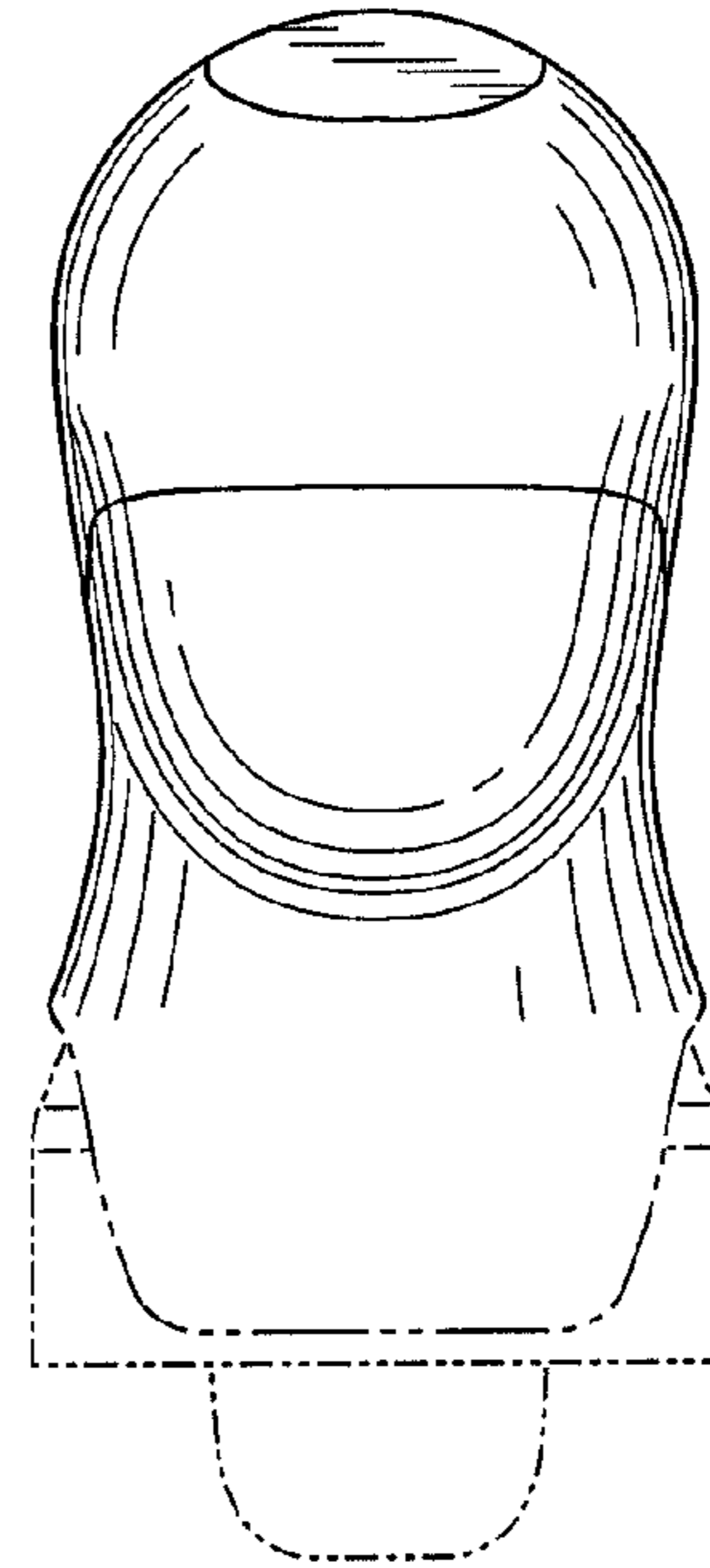
**FIG. 14**



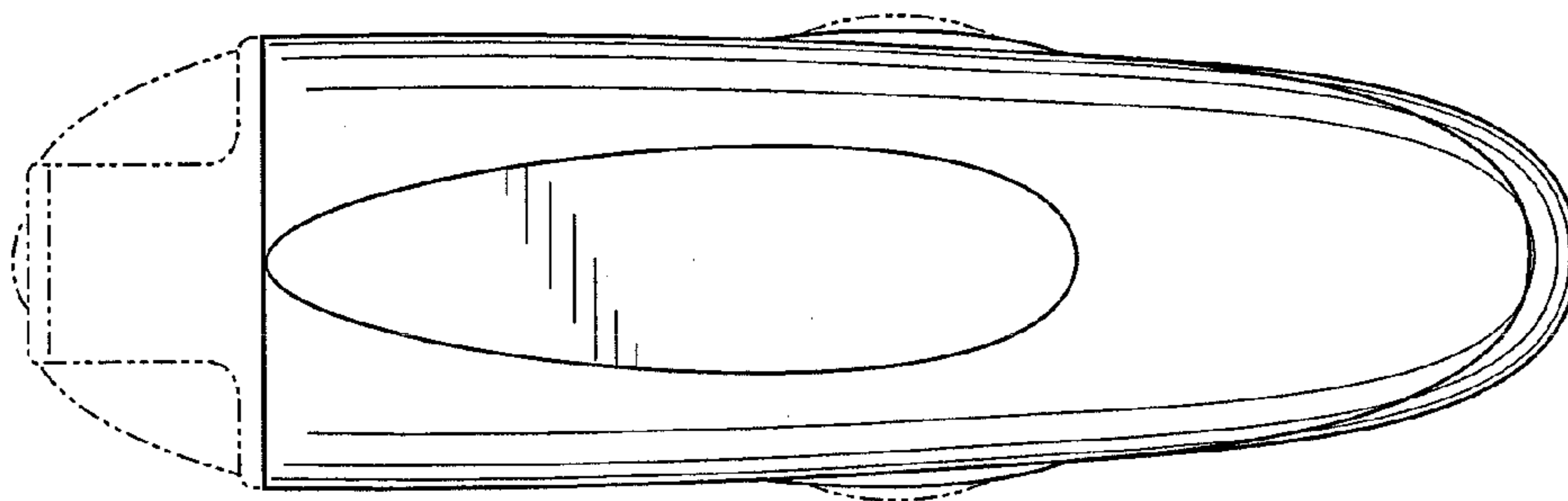
**FIG. 15**



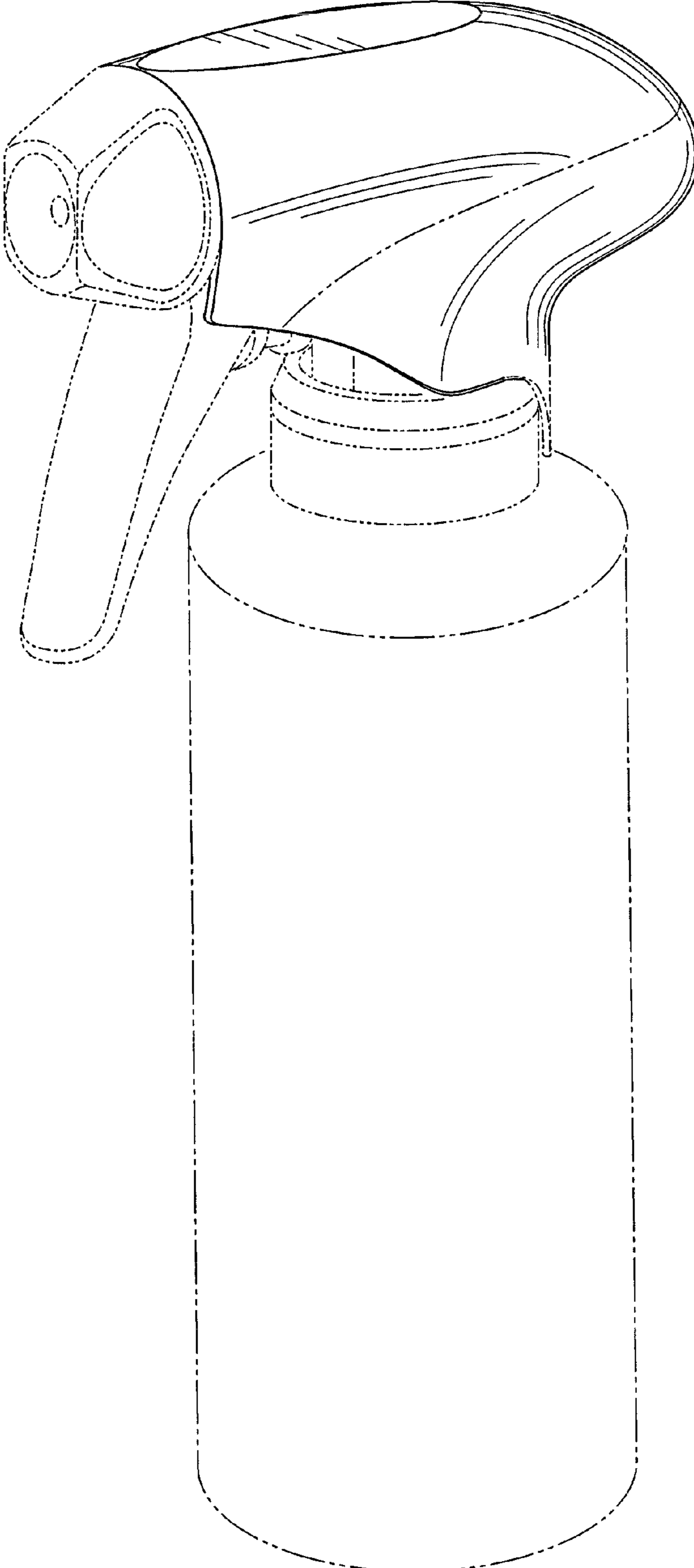
**FIG. 16**



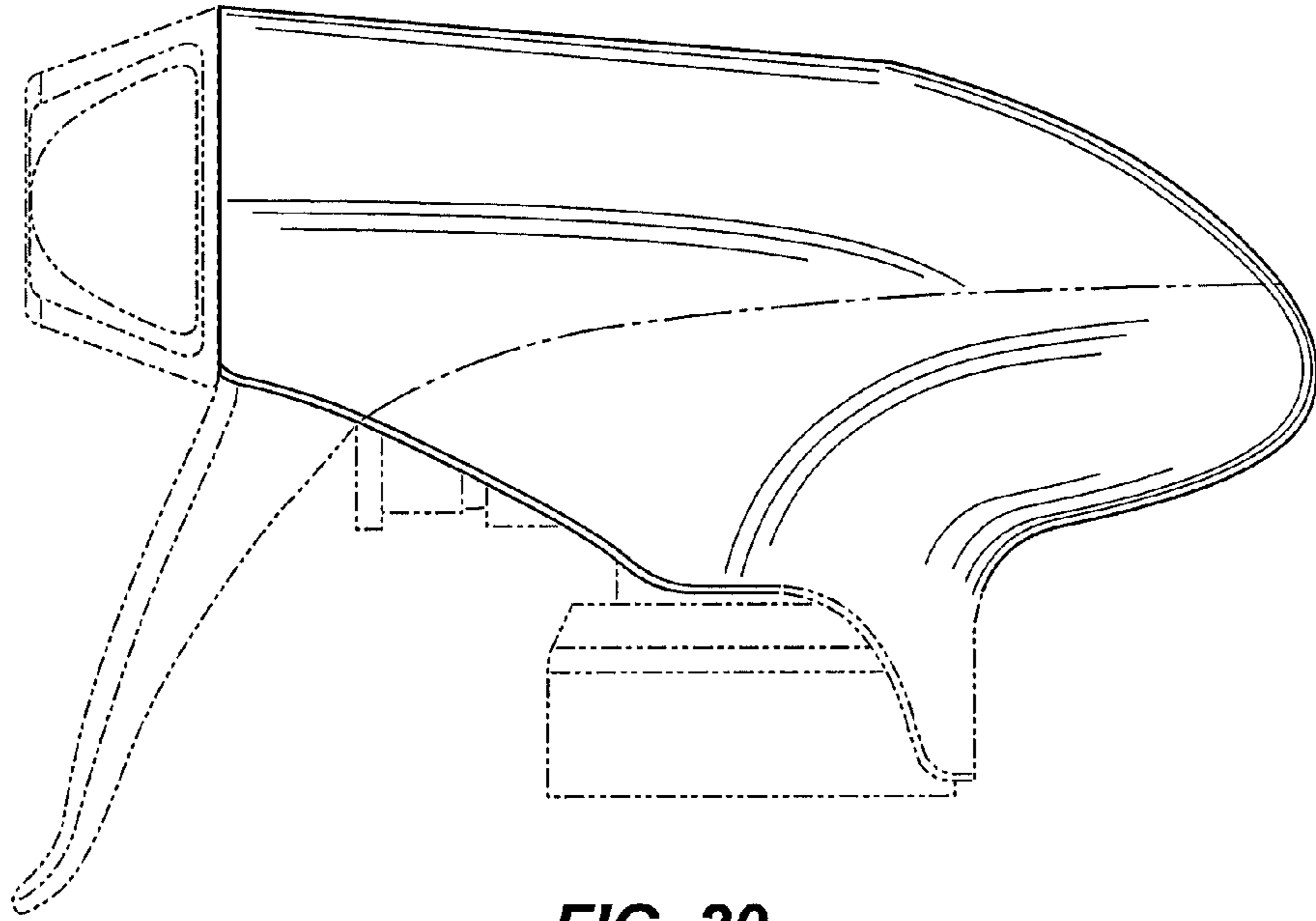
**FIG. 17**



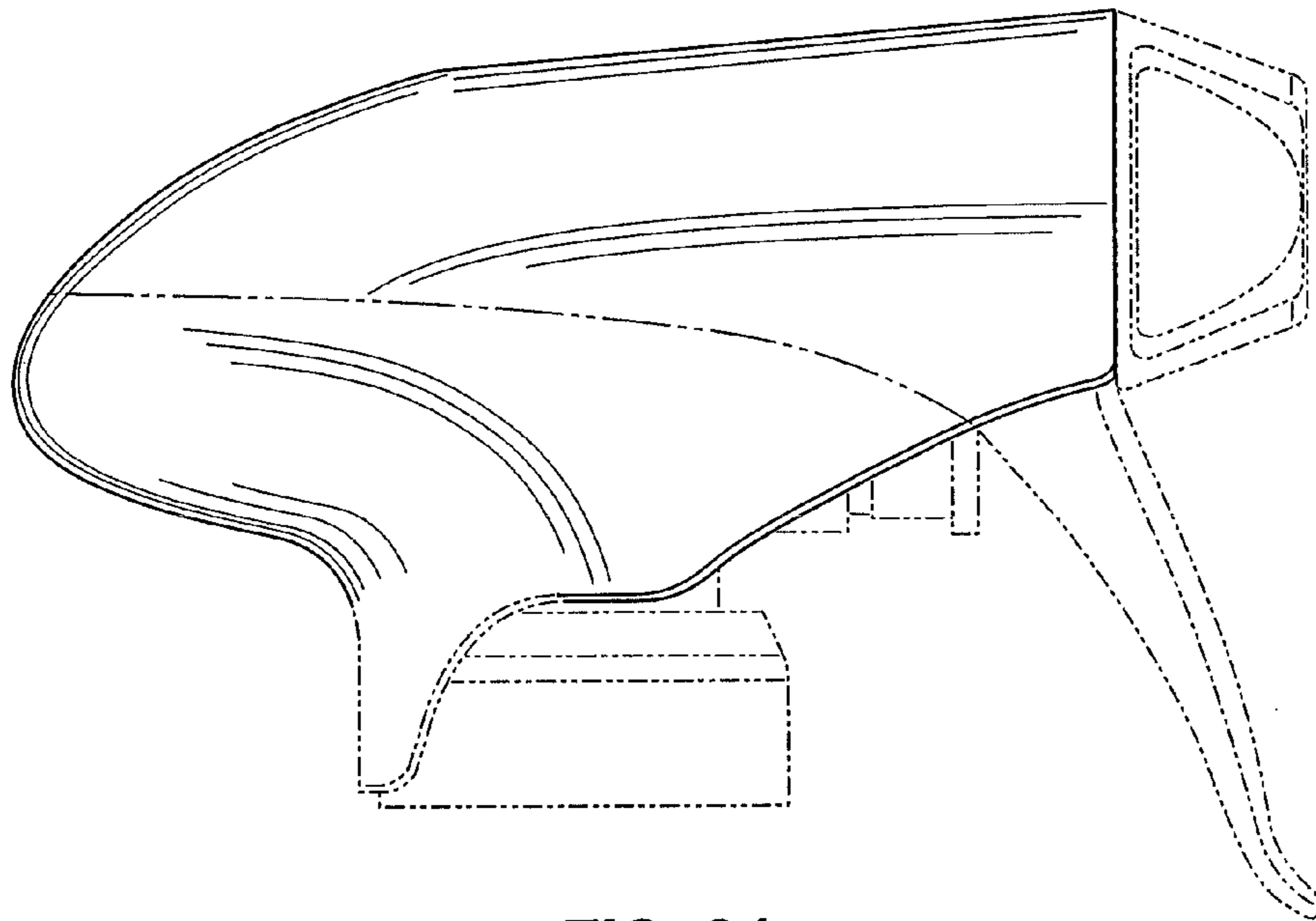
**FIG. 18**



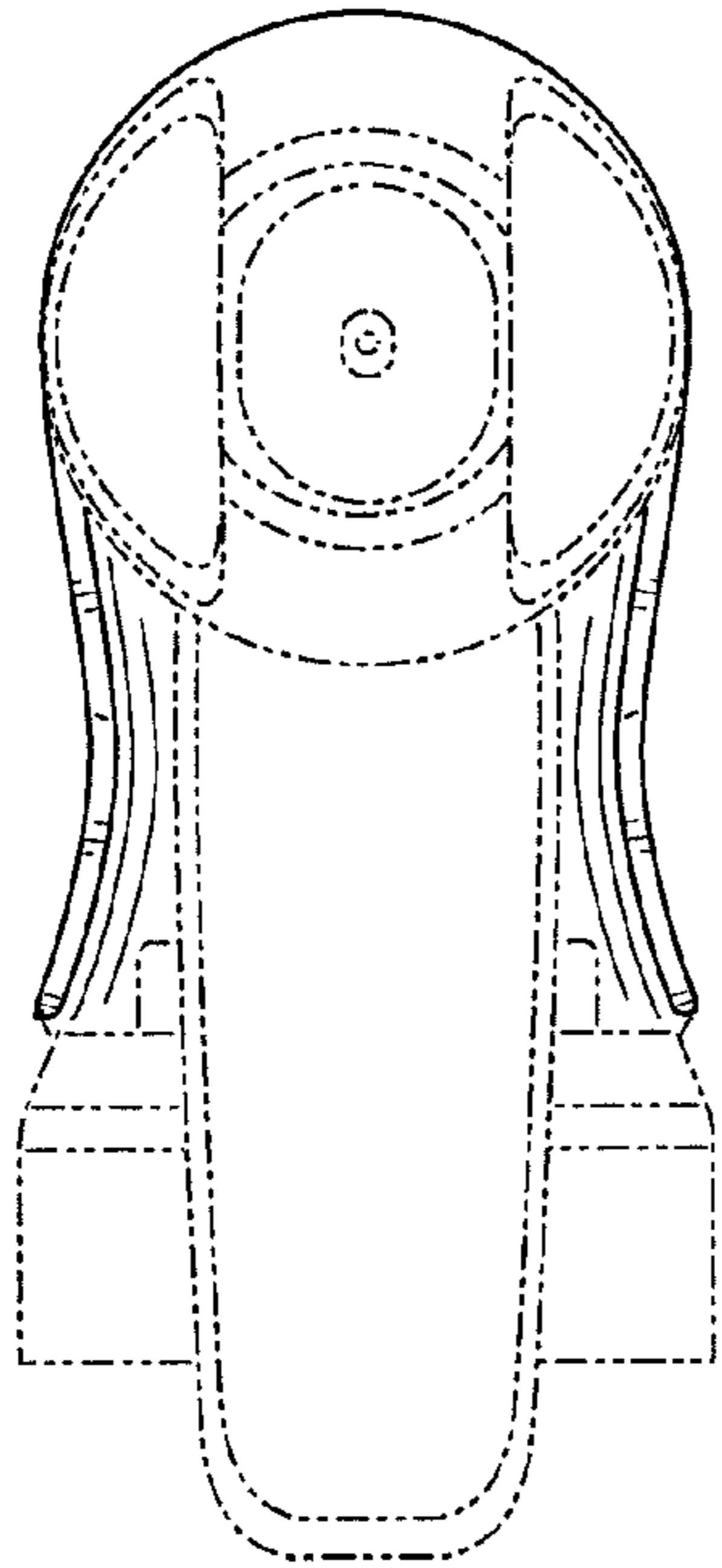
**FIG. 19**



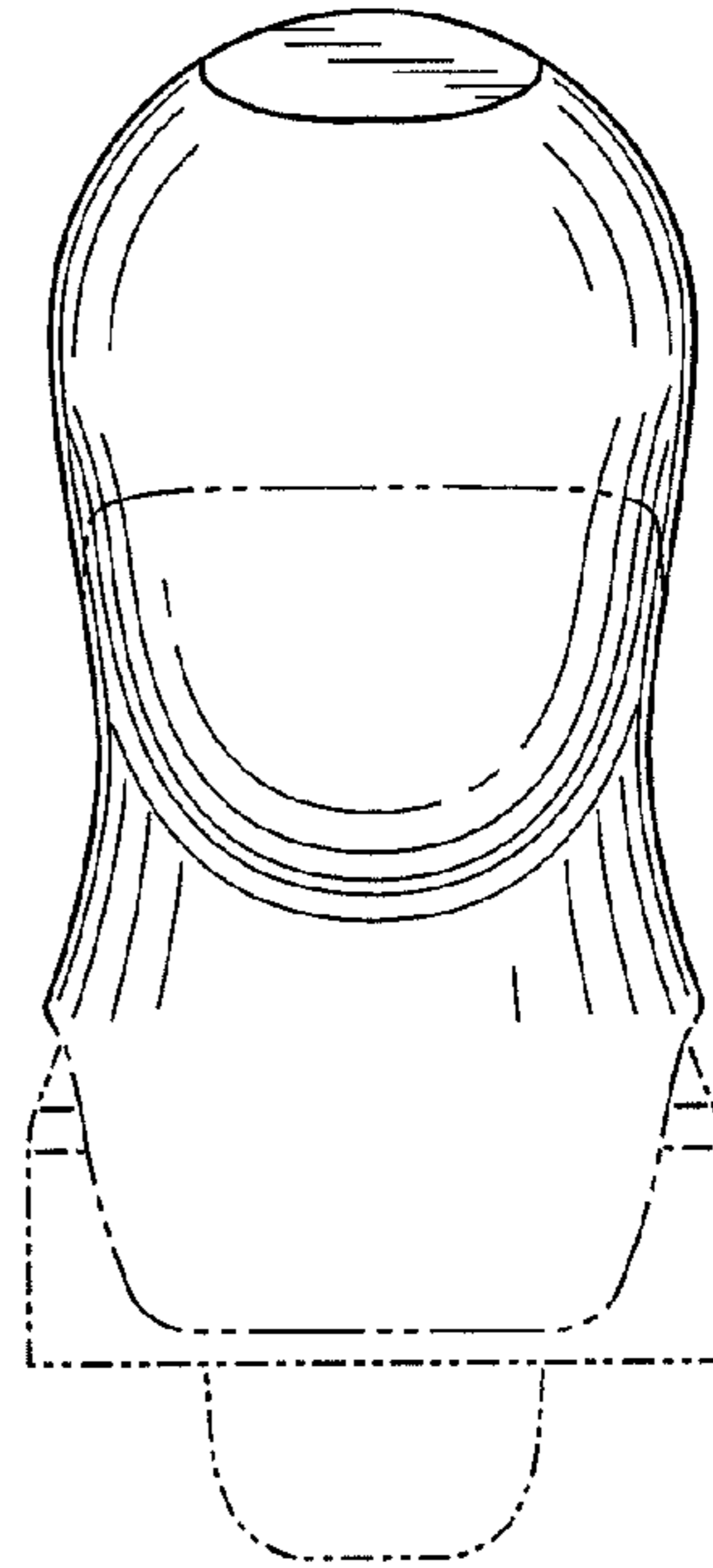
**FIG. 20**



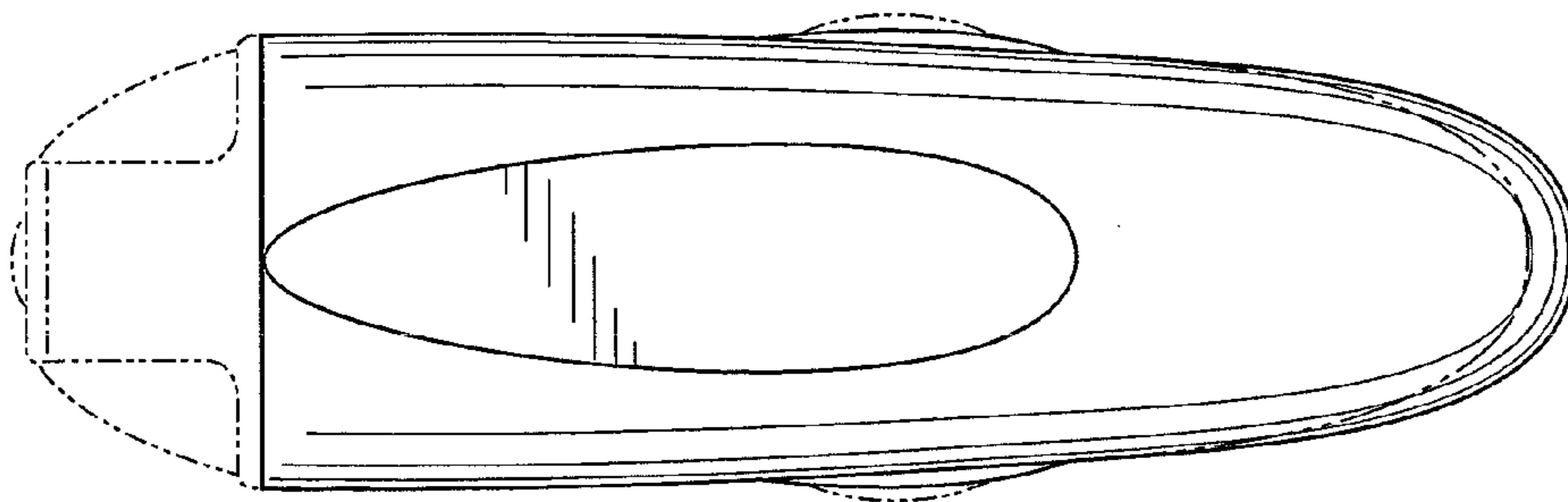
**FIG. 21**



**FIG. 22**



**FIG. 23**



**FIG. 24**