



US00D705651S

(12) **United States Design Patent**
Neumann et al.

(10) **Patent No.:** **US D705,651 S**

(45) **Date of Patent:** **** May 27, 2014**

(54) **TRIGGER**

(75) Inventors: **Peter M. Neumann**, Racine, WI (US);
Aaron J. Munsinger, Elk Mound, WI
(US); **Wilhelmus Johannes Joseph**
Maas, Someren (NL); **Robert C.**
Martineau, Chippewa Falls, WI (US)

(73) Assignee: **S.C. Johnson & Son, Inc.**, Racine, WI
(US)

(**) Term: **14 Years**

(21) Appl. No.: **29/423,521**

(22) Filed: **Jun. 1, 2012**

(51) **LOC (10) Cl.** **09-07**

(52) **U.S. Cl.**

CPC **B05B 11/3057** (2013.01)

USPC **D9/448**

(58) **Field of Classification Search**

USPC D9/434, 435, 448, 449; D23/213, 226;
222/323, 383.1, 383.3, 402.15;
239/120, 215, 333, 394, 526, 539;
417/178, 198, 411; D22/108

See application file for complete search history.

(56) **References Cited**

U.S. PATENT DOCUMENTS

5,341,965 A * 8/1994 Maas et al. 222/340
D405,503 S * 2/1999 Endo D23/226
D409,719 S * 5/1999 Kaneko D23/226
D409,915 S 5/1999 Durliat et al.
D421,388 S 3/2000 Cummings
D454,306 S * 3/2002 Sweeton et al. D9/434
D454,787 S 3/2002 Cummings
D456,262 S 4/2002 Cummings
6,364,171 B1 * 4/2002 Chalupsky et al. 222/321.8
6,378,739 B1 * 4/2002 Maas et al. 222/383.1

D466,402 S * 12/2002 Cummings et al. D9/685
D497,661 S * 10/2004 Chen D23/226
D521,864 S 5/2006 Cartoni
D551,549 S 9/2007 Maas et al.
D553,497 S 10/2007 Maas et al.
D565,948 S 4/2008 Maas et al.
D565,949 S 4/2008 Maas et al.
D569,248 S 5/2008 Seum et al.
D569,249 S 5/2008 Seum et al.
D569,725 S 5/2008 Adamson et al.
D582,769 S 12/2008 Turchi
7,467,752 B2 * 12/2008 Sweeton 239/102.2

(Continued)

FOREIGN PATENT DOCUMENTS

EP 439781-0011 7/2006
EP 271317-0001 3/2007

(Continued)

Primary Examiner — Robert M Spear

(74) *Attorney, Agent, or Firm* — Boyle Fredrickson, S.C.

(57) **CLAIM**

The ornamental design for a trigger, substantially as shown and described.

DESCRIPTION

FIG. 1 is an isometric view of a trigger according to the present invention;

FIG. 2 is a front elevation view of the trigger of FIG. 1;

FIG. 3 is a right side elevation view of the trigger of FIG. 1, the left side view being a mirror image thereof;

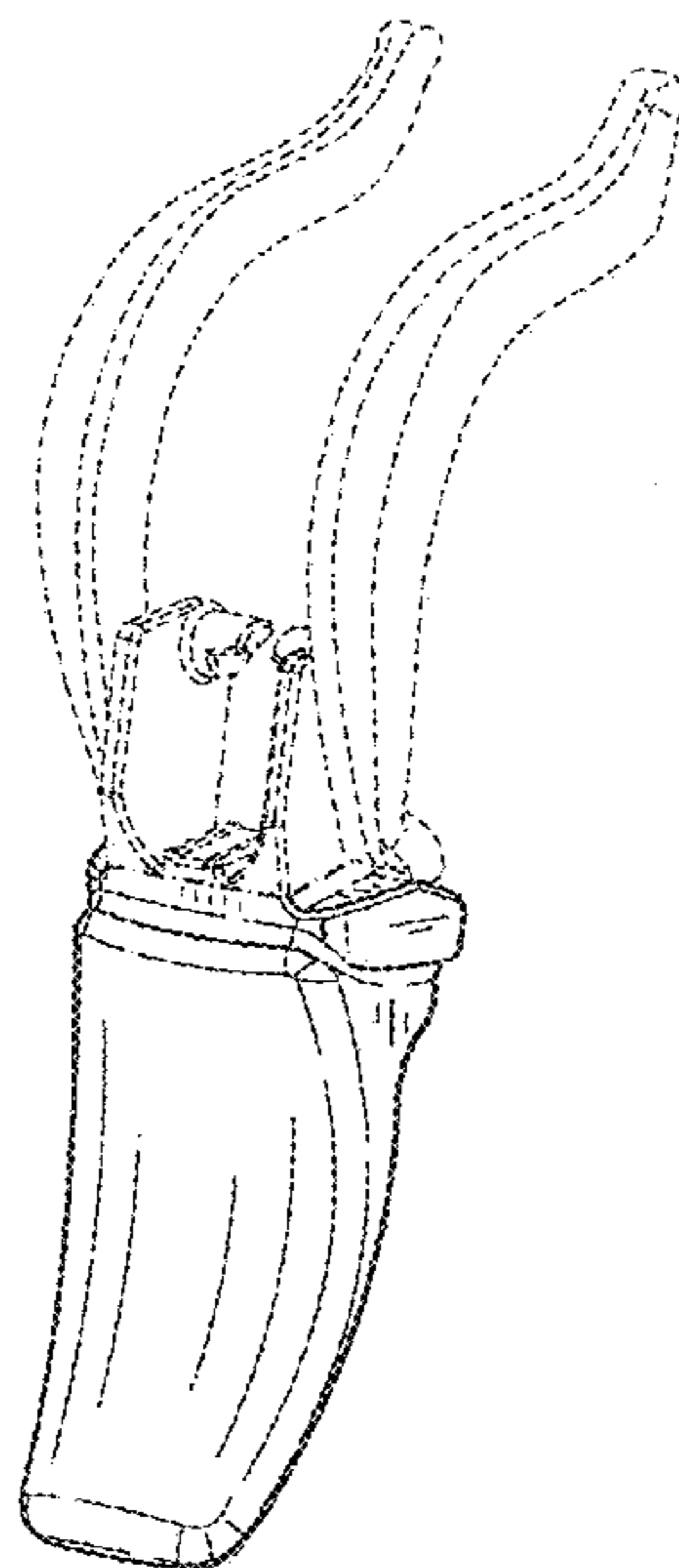
FIG. 4 is a top plan view of the trigger of FIG. 1;

FIG. 5 is a bottom plan view of the trigger of FIG. 1; and,

FIG. 6 is a rear elevation view of the trigger of FIG. 1.

The broken lines in the drawings represent unclaimed environmental subject matter and form no part of the claim.

1 Claim, 5 Drawing Sheets



(56)

References Cited

U.S. PATENT DOCUMENTS

D587,573 S	3/2009	Sato	
D588,454 S	3/2009	Sweeton et al.	
D588,456 S *	3/2009	Dejong et al.	D9/448
D596,938 S	7/2009	Broadbent	
D602,779 S	10/2009	Buogo et al.	
D625,187 S	10/2010	McCay et al.	
D629,866 S *	12/2010	Brass	D23/213
D650,279 S	12/2011	Arminak	
D653,541 S	2/2012	Foster et al.	
D653,542 S	2/2012	Arminak	
2001/0023879 A1 *	9/2001	Ferrell et al.	222/383.1

FOREIGN PATENT DOCUMENTS

EP	278478-0001	3/2007
EP	654063-0003	4/2007
EP	684063-0001	4/2007
EP	684063-0002	4/2007
EP	570627-0004	9/2007
EP	697401-0011	7/2009
EP	697461-0001	7/2009

EP	697461-0002	7/2009
EP	697461-0003	7/2009
EP	697461-0004	7/2009
EP	697461-0005	7/2009
EP	697461-0006	7/2009
EP	697461-0007	7/2009
EP	697461-0008	7/2009
EP	697461-0009	7/2009
EP	697461-0010	7/2009
EP	697461-0012	7/2009
EP	697461-0013	7/2009
EP	697461-0014	7/2009
EP	697461-0015	7/2009
EP	697461-0016	7/2009
EP	697461-0017	7/2009
EP	697461-0018	7/2009
EP	697461-0019	7/2009
EP	697461-0020	7/2009
EP	697461-0021	7/2009
EP	697461-0022	7/2009
EP	697461-0023	7/2009
EP	697461-0024	7/2009
EP	1603127-0001	8/2009
EP	1647975-0001	12/2009

* cited by examiner

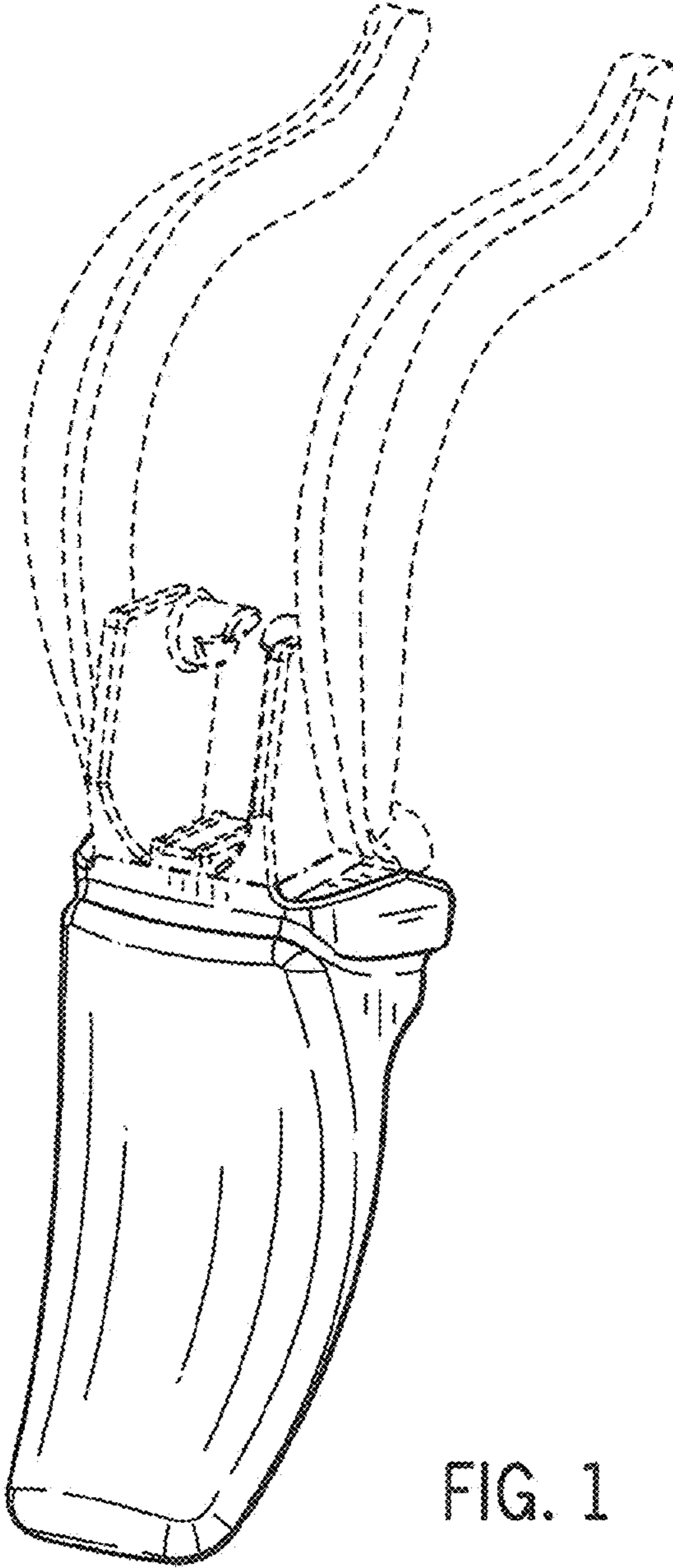


FIG. 1

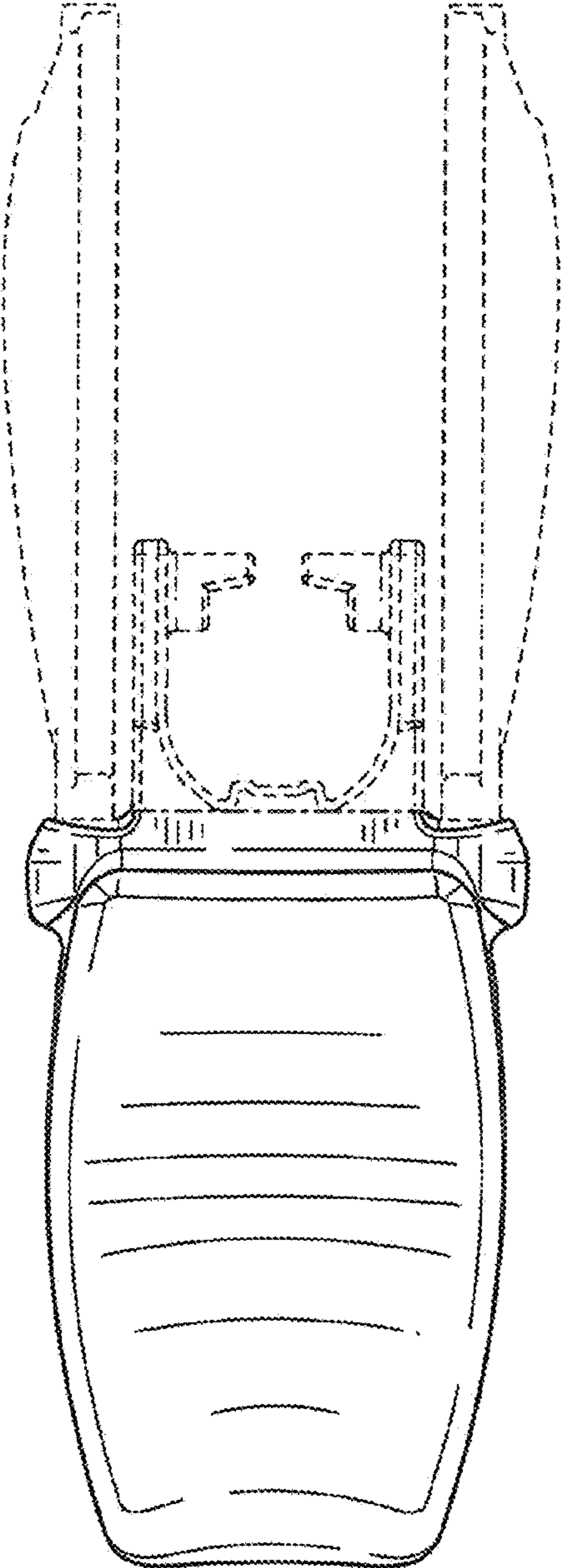


FIG. 2

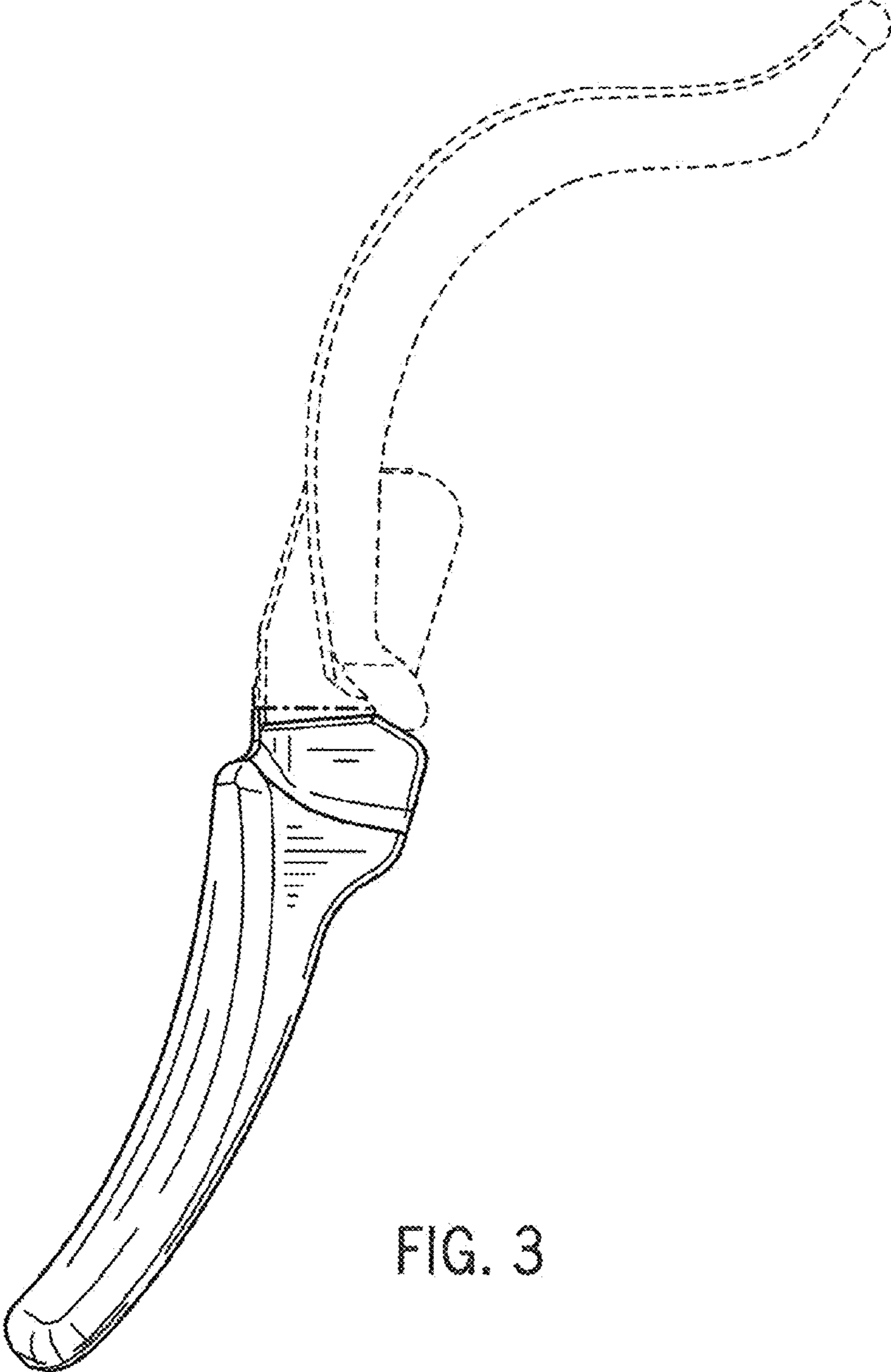


FIG. 3

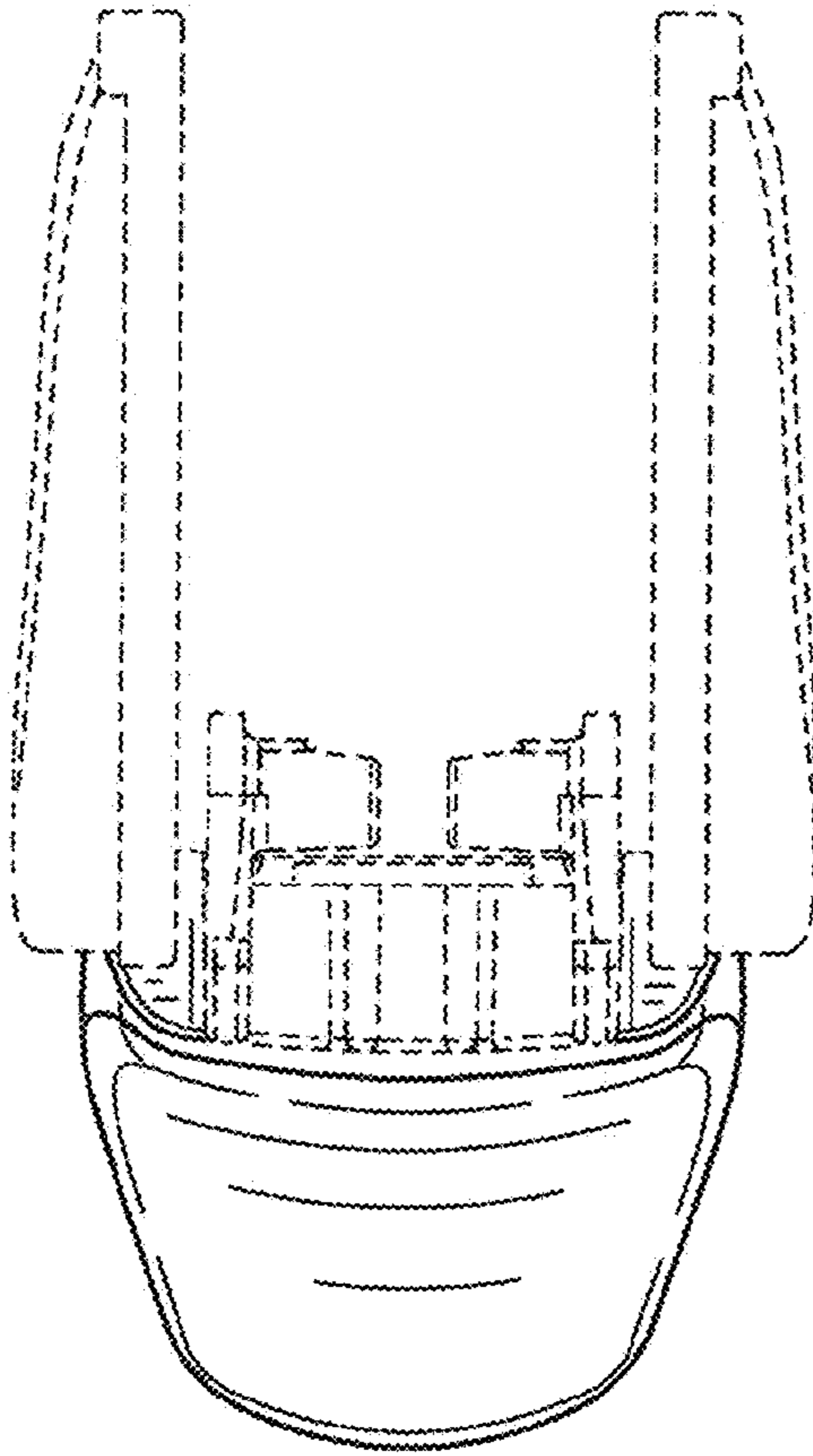


FIG. 4

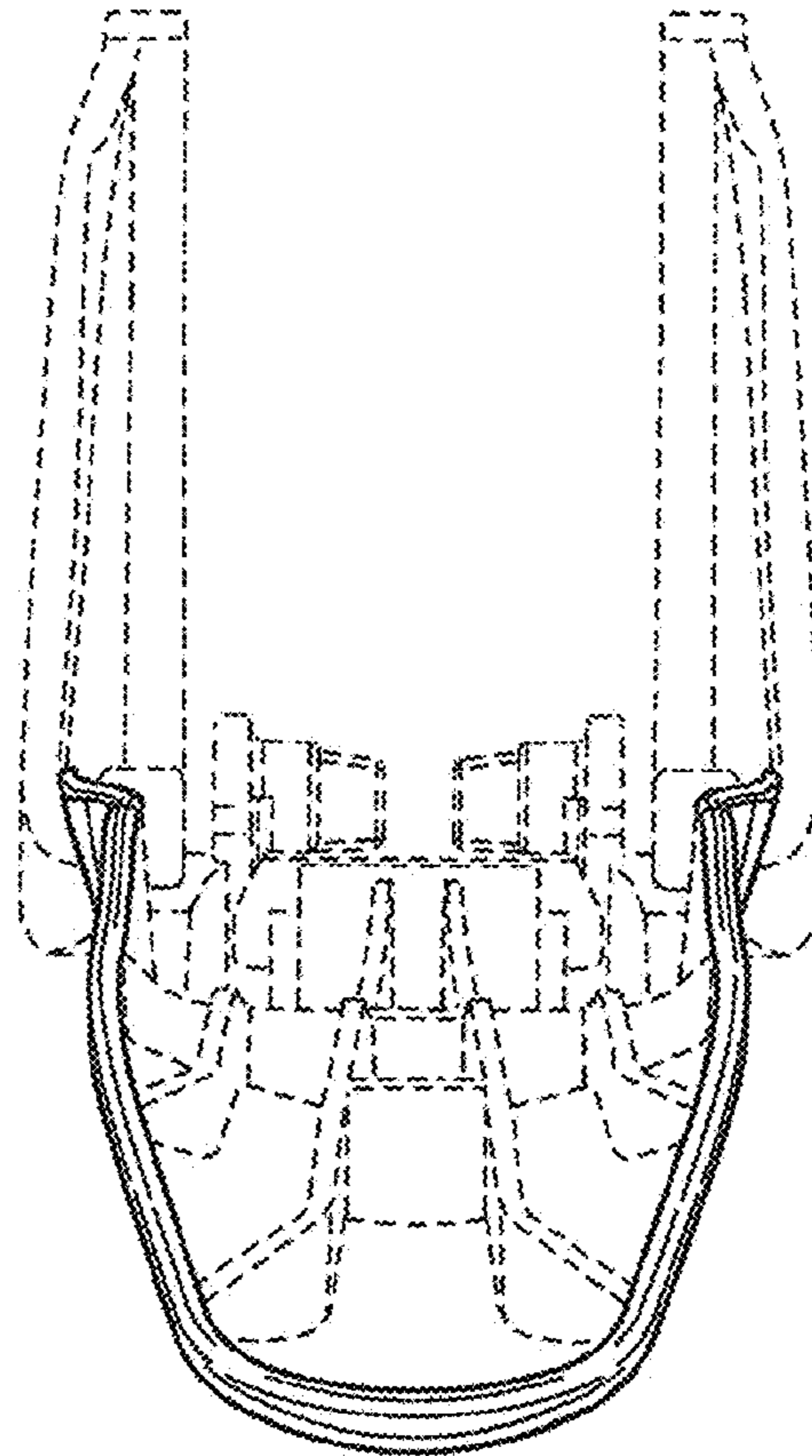


FIG. 5

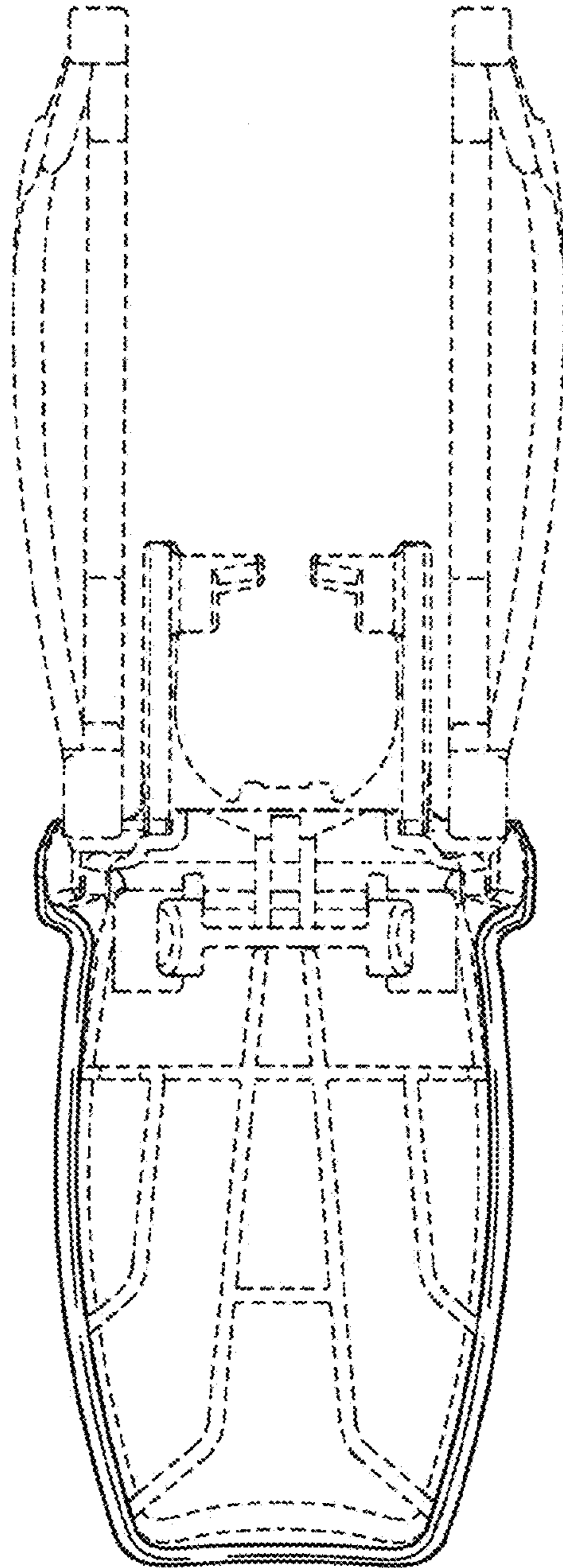


FIG. 6