



US00D705648S

(12) **United States Design Patent**
Oetlinger

(10) **Patent No.:** **US D705,648 S**

(45) **Date of Patent:** **** May 27, 2014**

(54) **NUT**
(75) **Inventor:** **Frank E. Oetlinger**, Grafton, WI (US)
(73) **Assignee:** **Blanking Systems, Inc.**, Grafton, WI (US)
(**) **Term:** **14 Years**

6,715,953 B2 4/2004 Oetlinger et al.
6,722,811 B2 4/2004 Oetlinger
D489,828 S * 5/2004 Barnett D25/119
6,769,342 B2 8/2004 Oetlinger
6,796,474 B2 9/2004 Oetlinger
6,904,837 B2 6/2005 Oetlinger
6,942,132 B2 9/2005 Oetlinger
6,997,364 B2 2/2006 Oetlinger
7,143,916 B2 12/2006 Oetlinger

(Continued)

(21) **Appl. No.:** **29/406,288**

(22) **Filed:** **Nov. 11, 2011**

(51) **LOC (10) Cl.** **08-08**

(52) **U.S. Cl.**
USPC **D8/397**

(58) **Field of Classification Search**
USPC D8/397, 394, 382, 349, 356, 399, 363,
D8/352; 403/291, 309, 300, 301, 310, 311,
403/403, 331, 387; 411/427, 429, 432, 918,
411/180, 81, 337; D25/119; 2/897
See application file for complete search history.

FOREIGN PATENT DOCUMENTS

JP 9296816 11/1997
JP 2004060789 2/2004
KR 10021558 8/1999

Primary Examiner — Cynthia Underwood
(74) *Attorney, Agent, or Firm* — Boyle Fredrickson, S.C.

(57) **CLAIM**

The ornamental design for a nut, as shown and described.

DESCRIPTION

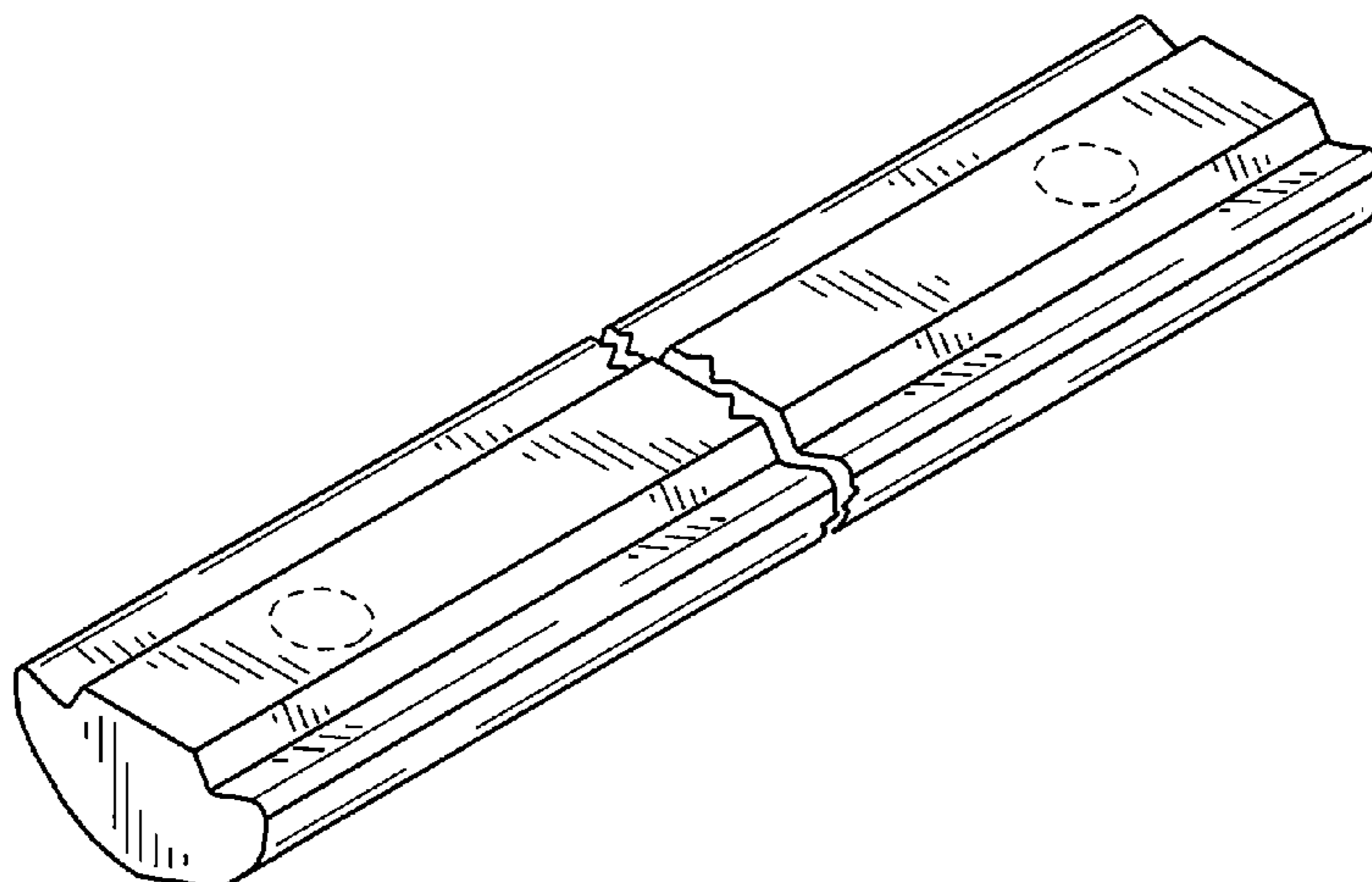
FIG. 1 is an isometric view of a nut in accordance with the present invention;
FIG. 2 is an end view of the nut of FIG. 1;
FIG. 3 is a top plan view of the nut of FIG. 1;
FIG. 4 is a bottom plan view of the nut of FIG. 1;
FIG. 5 is a side elevational view of a first side of the nut of FIG. 1; and,
FIG. 6 is a side elevational view of a second side of the nut of FIG. 1.
The broken lines are included for illustrative purposes only and form no part of the claim. The broken away symbols in the drawings indicate that any portion of the article beyond that which is shown forms no part of the claimed design.

(56) **References Cited**

U.S. PATENT DOCUMENTS

42,320 A * 4/1864 Thomas 470/87
2,809,686 A * 10/1957 Shepherd 411/104
D263,149 S * 2/1982 Wilson D17/20
D299,171 S * 12/1988 Allen, Jr. D25/164
4,831,678 A * 5/1989 Dietsche 15/176.4
4,957,402 A * 9/1990 Klein et al. 411/84
D310,945 S * 10/1990 Ellerton D7/680
D322,929 S * 1/1992 Abbestam et al. D8/397
D349,639 S * 8/1994 Kimbrell D8/349
D364,234 S * 11/1995 Caley D25/119
5,746,535 A 5/1998 Kohler
D450,572 S * 11/2001 Nimmo et al. D8/397
6,708,858 B2 3/2004 Oetlinger
6,712,254 B2 3/2004 Oetlinger
6,712,543 B1 3/2004 Schmalzhofer

1 Claim, 2 Drawing Sheets



(56)

References Cited

U.S. PATENT DOCUMENTS

7,182,235 B2 2/2007 Oetlinger
7,185,797 B2 3/2007 Oetlinger et al.
D543,491 S * 5/2007 Weekes D12/106
7,992,752 B2 8/2011 Oetlinger

8,146,227 B2 * 4/2012 Schmitz et al. 29/434
D694,098 S * 11/2013 Byron et al. D8/394
D695,099 S * 12/2013 Maclellan et al. D8/395
D696,096 S * 12/2013 Daneman D8/349
2003/0188510 A1 * 10/2003 Vargas 53/410

* cited by examiner

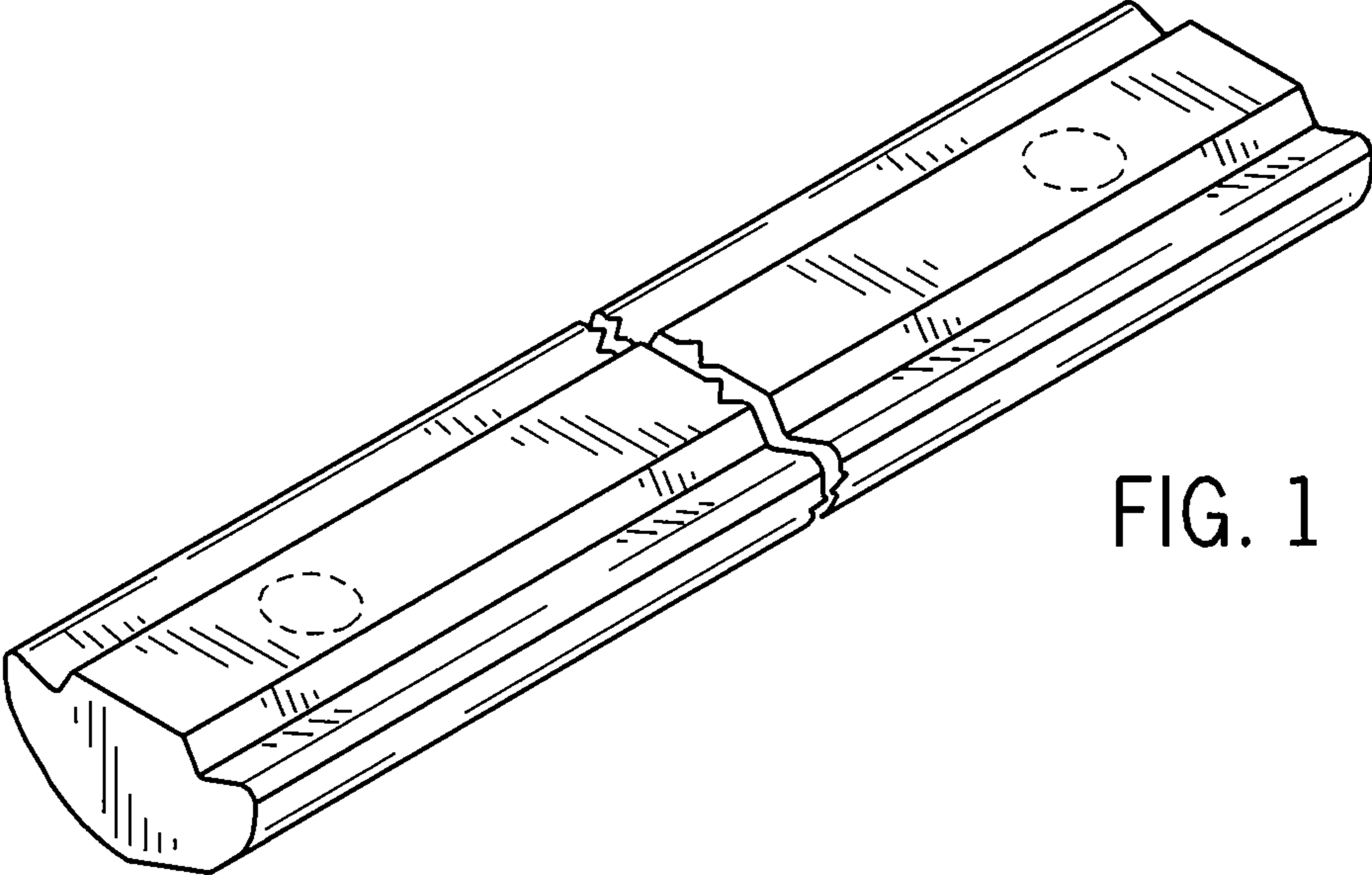


FIG. 1

FIG. 2

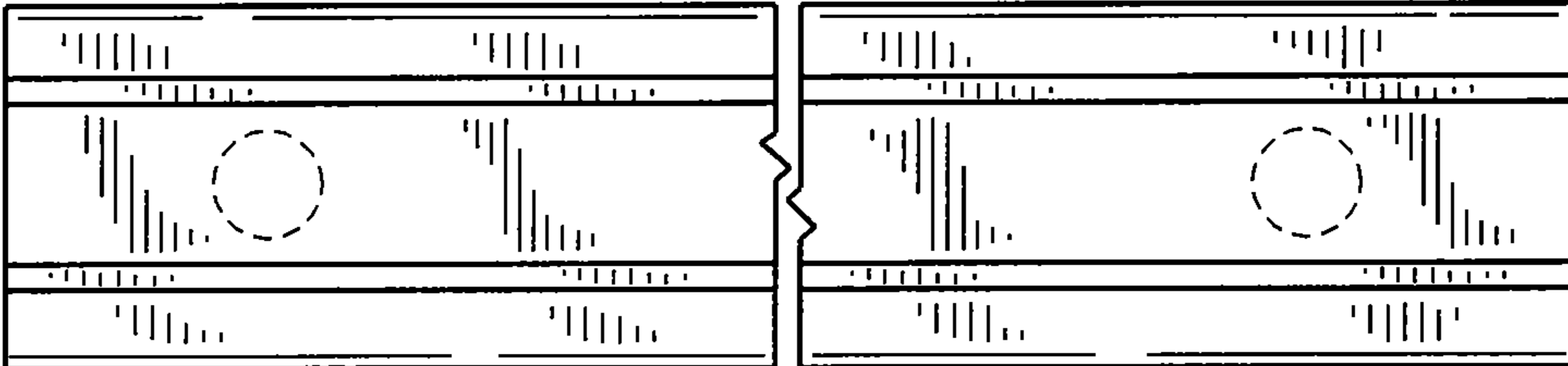


FIG. 3

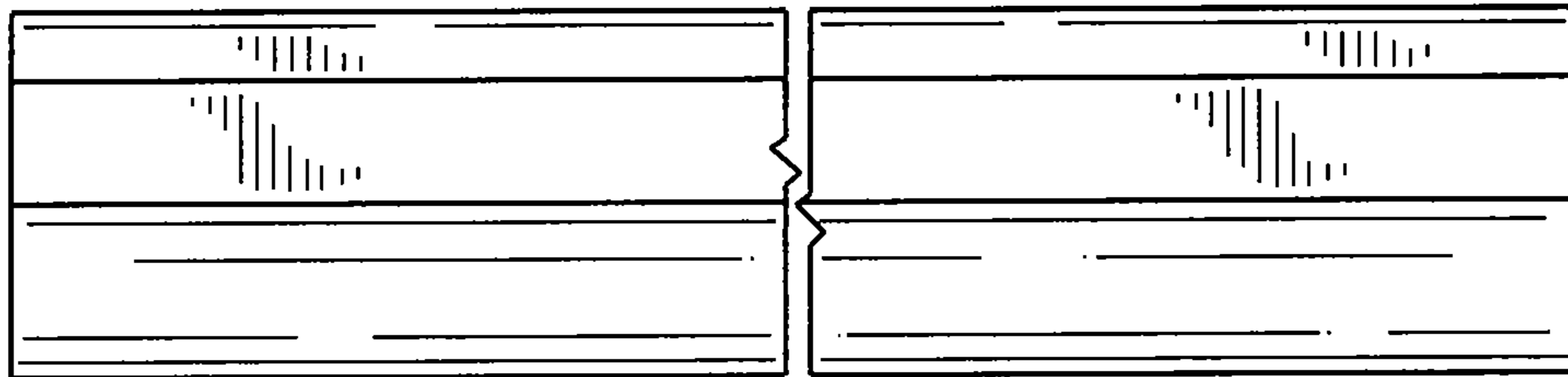


FIG. 4

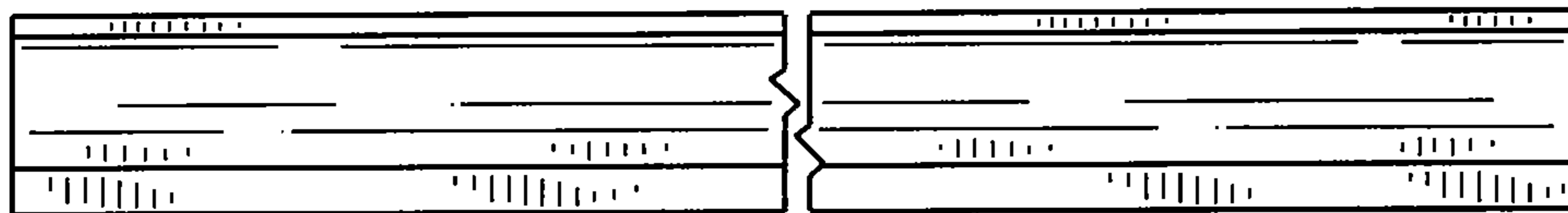


FIG. 5

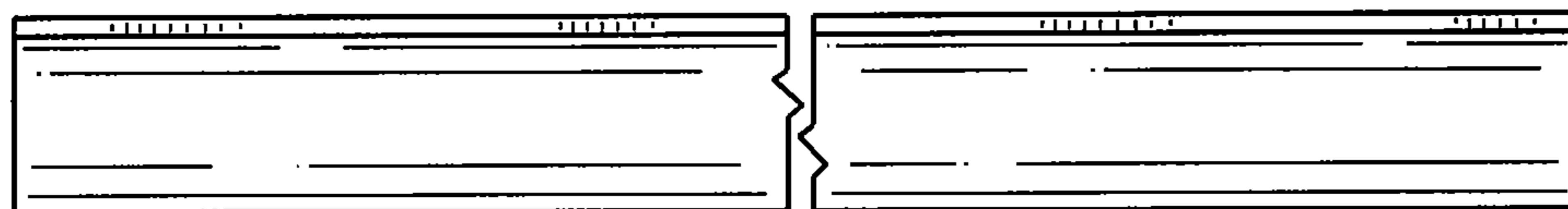


FIG. 6