



US00D705647S

(12) **United States Design Patent**  
**Frydlewski et al.**

(10) **Patent No.:** **US D705,647 S**

(45) **Date of Patent:** **\*\* May 27, 2014**

- (54) **FASTENING DEVICE**
- (71) Applicants: **Gaston Frydlewski**, Brooklyn, NY (US); **Maria Raquel Waingarten**, Brooklyn, NY (US); **David Reeb**, Sykesville, MD (US)
- (72) Inventors: **Gaston Frydlewski**, Brooklyn, NY (US); **Maria Raquel Waingarten**, Brooklyn, NY (US); **David Reeb**, Sykesville, MD (US)
- (73) Assignee: **Hickies, Inc.**, Brooklyn, NY (US)

1,886,882 A *	11/1932	Huber .....	24/698.1
D89,286 S	2/1933	Rosenthal	
1,934,455 A	11/1933	Staude et al.	
1,945,932 A	2/1934	Caley	
1,966,135 A	7/1934	Reh	
2,264,644 A	12/1941	Santangelo	
2,289,225 A	7/1942	Tonai	
2,689,991 A	9/1954	Fedankiw et al.	
D177,723 S	5/1956	Doherty	
2,871,537 A	2/1959	Hickerson	
3,193,950 A	7/1965	Liou	
3,701,572 A	10/1972	Velasquez	
3,731,350 A	5/1973	Diebold	
4,112,988 A	9/1978	Nelson	

(Continued)

(\*\*) Term: **14 Years**

**FOREIGN PATENT DOCUMENTS**

(21) Appl. No.: **29/472,638**

WO WO2013/119268 8/2013

(22) Filed: **Nov. 14, 2013**

*Primary Examiner* — John Windmuller

(51) **LOC (10) Cl.** ..... **08-08**

(74) *Attorney, Agent, or Firm* — Andrew F. Young, Esq.;  
Lackebach Siegel, LLP

(52) **U.S. Cl.**  
USPC ..... **D8/395**; D8/396

(58) **Field of Classification Search**  
USPC ..... D8/354, 356, 371, 394–396; D19/65,  
D19/86; D24/128; 248/74.2, 215, 227.1, 49,  
248/300, 301, 316.7, 51, 489; 24/570, 3.12;  
D32/61; D11/78.1

(57) **CLAIM**

The ornamental design for a fastening device, as shown and described.

See application file for complete search history.

**DESCRIPTION**

FIG. 1 is a top front perspective view of a fastening device showing our new design.

FIG. 2 is a bottom front perspective view of the invention.

FIG. 3 is a top plan view of FIG. 1.

FIG. 4 is a front elevation view of FIG. 1.

FIG. 5 is a left side elevation view of FIG. 1, the right side being a mirror image thereof.

FIG. 6 is a rear elevation view of FIG. 1; and,

FIG. 7 is a bottom plan view of FIG. 1.

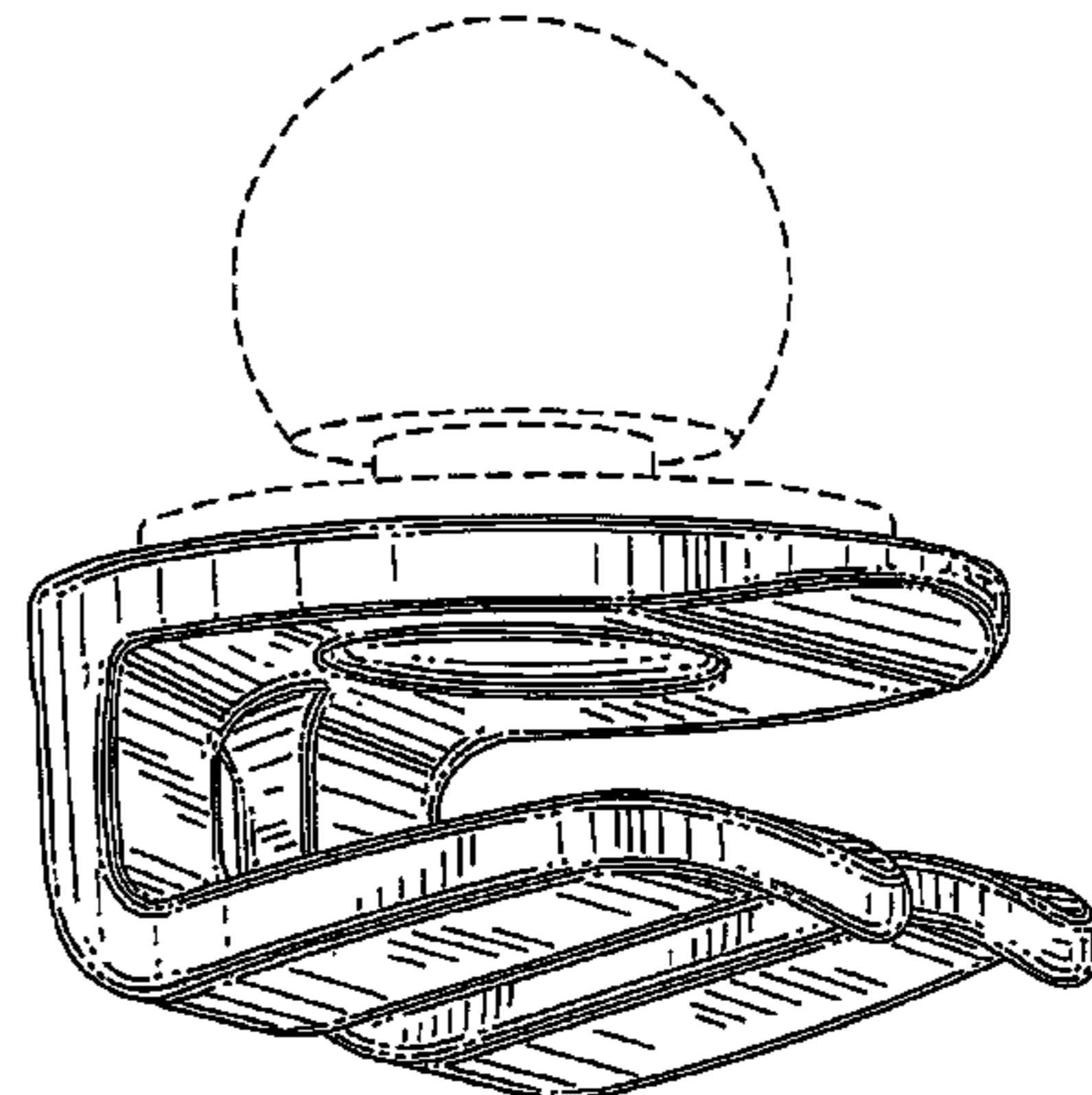
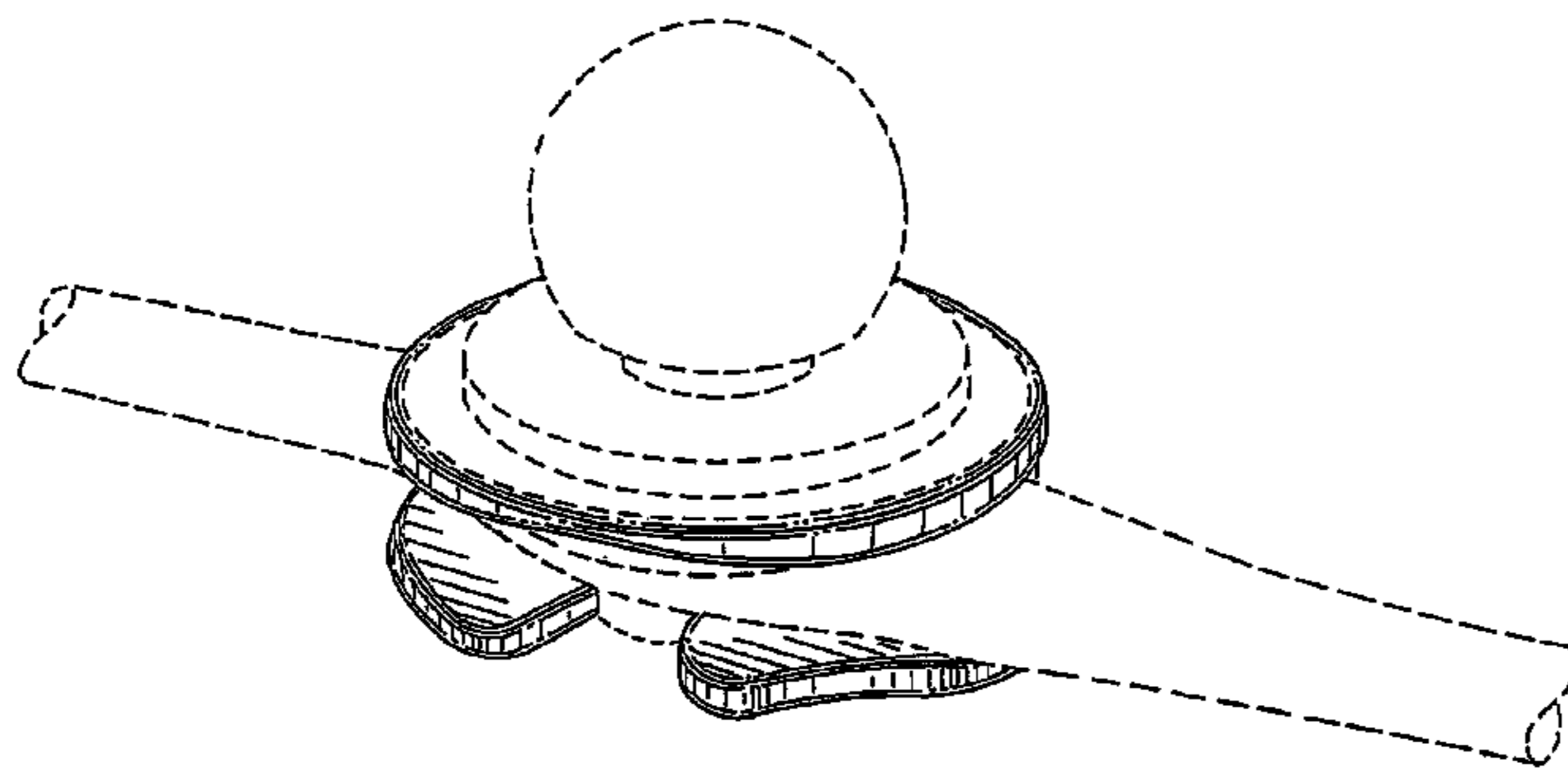
The broken lines in the figures depict portions of the fastening device that form no part of the claimed design. Additional broken lines in FIG. 1 depict environment that is not part of the claimed design.

(56) **References Cited**

**U.S. PATENT DOCUMENTS**

146,913 A	1/1874	Keith
315,819 A	4/1885	Naylon
562,114 A	6/1896	Benford
565,884 A	8/1896	Emmons
715,599 A	12/1902	Pitts
830,902 A	9/1906	Keller
1,055,118 A	3/1913	Ziegllr
1,184,647 A	5/1916	Holloway
1,458,088 A	6/1923	Unnold
1,595,630 A	8/1926	Stockton
1,678,241 A	7/1928	Benz
1,685,489 A	9/1928	Jansen

**1 Claim, 4 Drawing Sheets**



(56)

References Cited

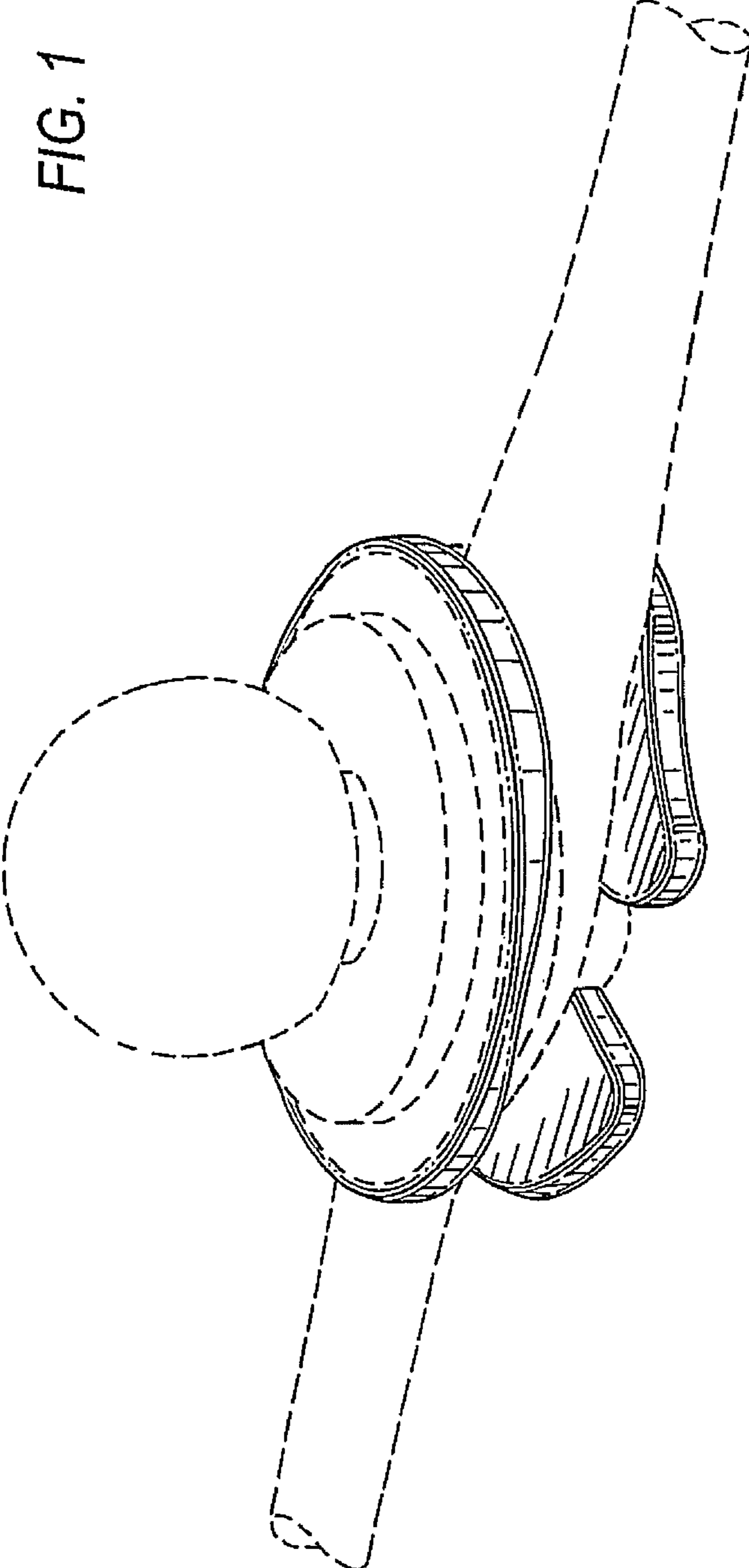
U.S. PATENT DOCUMENTS

4,486,965 A 12/1984 Friton  
 5,214,826 A 6/1993 Fortune  
 5,230,171 A 7/1993 Cardaropoli  
 5,239,732 A 8/1993 Steven  
 5,388,315 A 2/1995 Jones  
 5,465,442 A 11/1995 Merser  
 5,537,763 A 7/1996 Donnadie et al.  
 5,692,276 A 12/1997 Paston  
 5,737,811 A 4/1998 Rashid  
 D410,968 S \* 6/1999 Swan et al. .... D20/22  
 D417,390 S \* 12/1999 Hofman ..... D8/395  
 D455,337 S \* 4/2002 Maruoka ..... D8/383  
 6,701,589 B1 3/2004 Kliewer  
 D508,841 S \* 8/2005 Jordan, Jr. .... D8/395  
 D569,241 S \* 5/2008 O'Neill ..... D8/395  
 D575,088 S \* 8/2008 Saulnier ..... D6/547  
 D576,478 S \* 9/2008 Mead et al. .... D8/395

7,506,420 B2 3/2009 Frydlewski et al.  
 D592,508 S \* 5/2009 Perignon ..... D9/456  
 D620,785 S \* 8/2010 St. Germaine ..... D8/395  
 D625,183 S \* 10/2010 Bartsch et al. .... D9/434  
 D641,614 S \* 7/2011 Pontaoe ..... D8/394  
 D644,504 S \* 9/2011 Rieder ..... D8/395  
 D650,951 S \* 12/2011 Connelly et al. .... D30/136  
 D672,223 S \* 12/2012 Thompson ..... D8/356  
 D674,274 S \* 1/2013 Gasparino ..... D8/395  
 D675,511 S \* 2/2013 Gary et al. .... D8/395  
 D675,512 S \* 2/2013 Gary et al. .... D8/395  
 D679,581 S \* 4/2013 Liu et al. .... D8/395  
 D682,663 S \* 5/2013 Evon ..... D8/367  
 D686,909 S 7/2013 Frydlewski et al.  
 D687,292 S \* 8/2013 Angel et al. .... D8/395  
 D695,098 S \* 12/2013 Hobson ..... D8/395  
 D695,595 S \* 12/2013 Grimm et al. .... D8/367  
 D700,046 S \* 2/2014 Smith ..... D8/394  
 2006/0168785 A1 8/2006 Kraft et al.

\* cited by examiner

FIG. 1



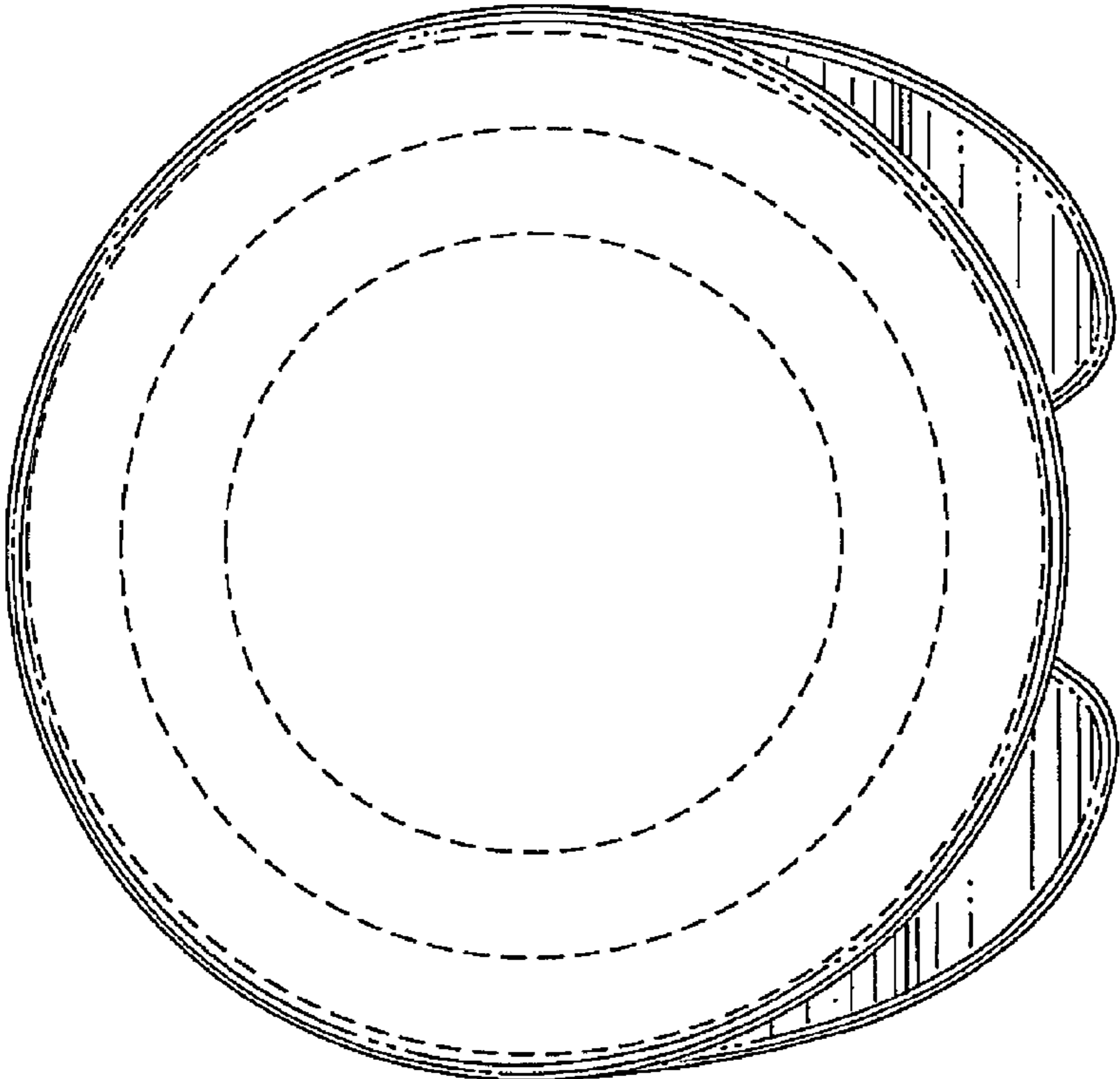
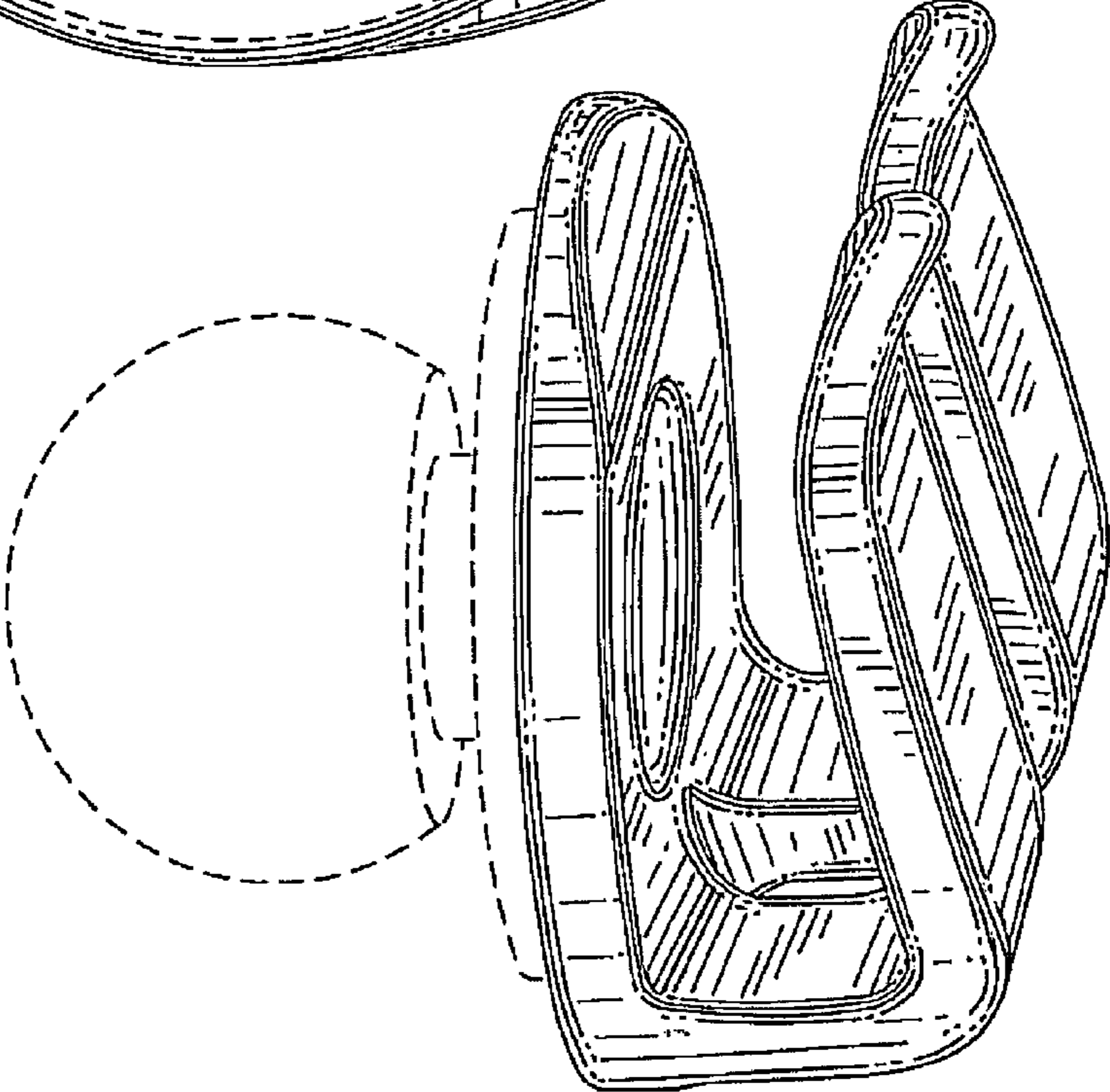


FIG. 3

FIG. 2



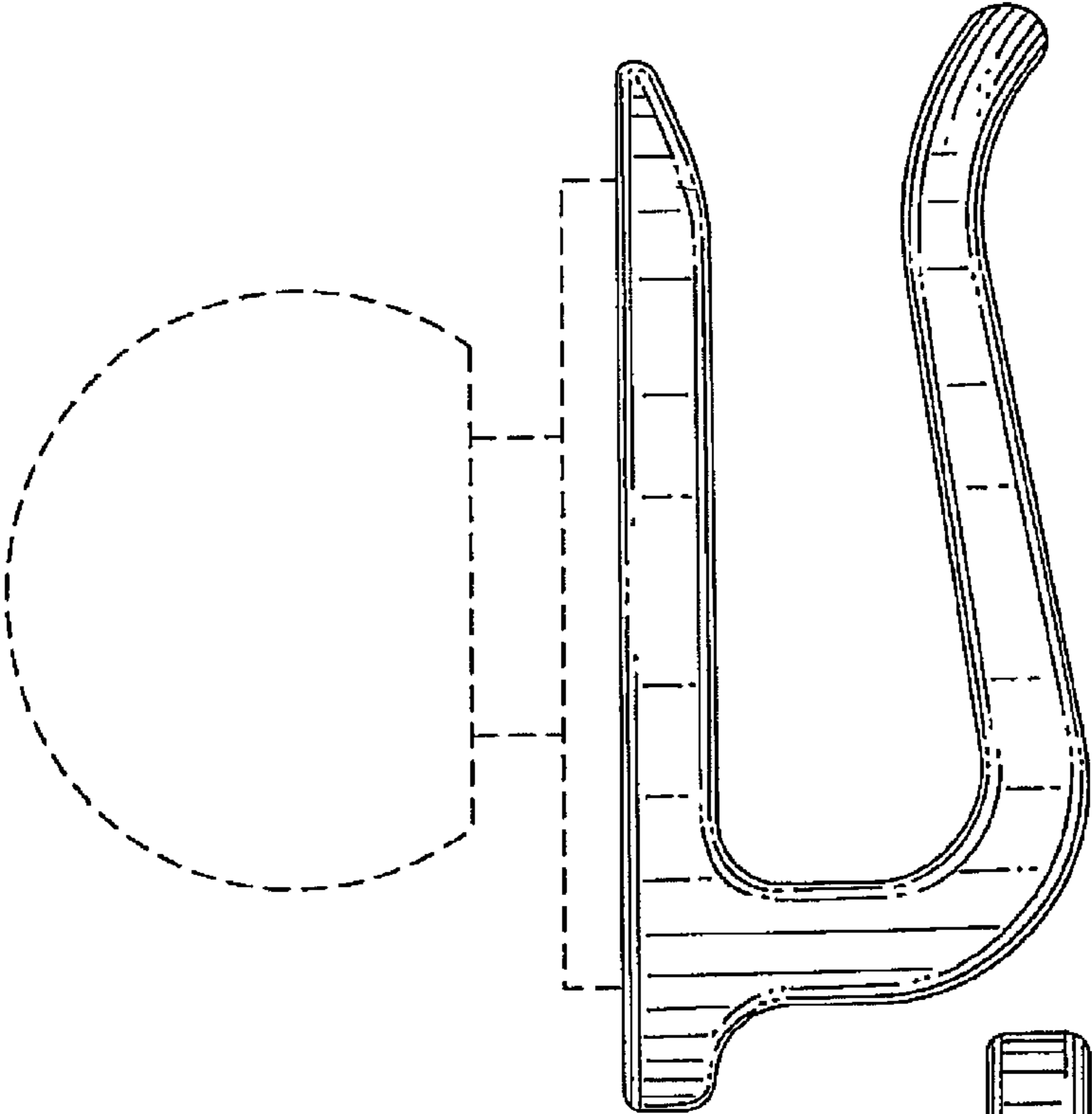
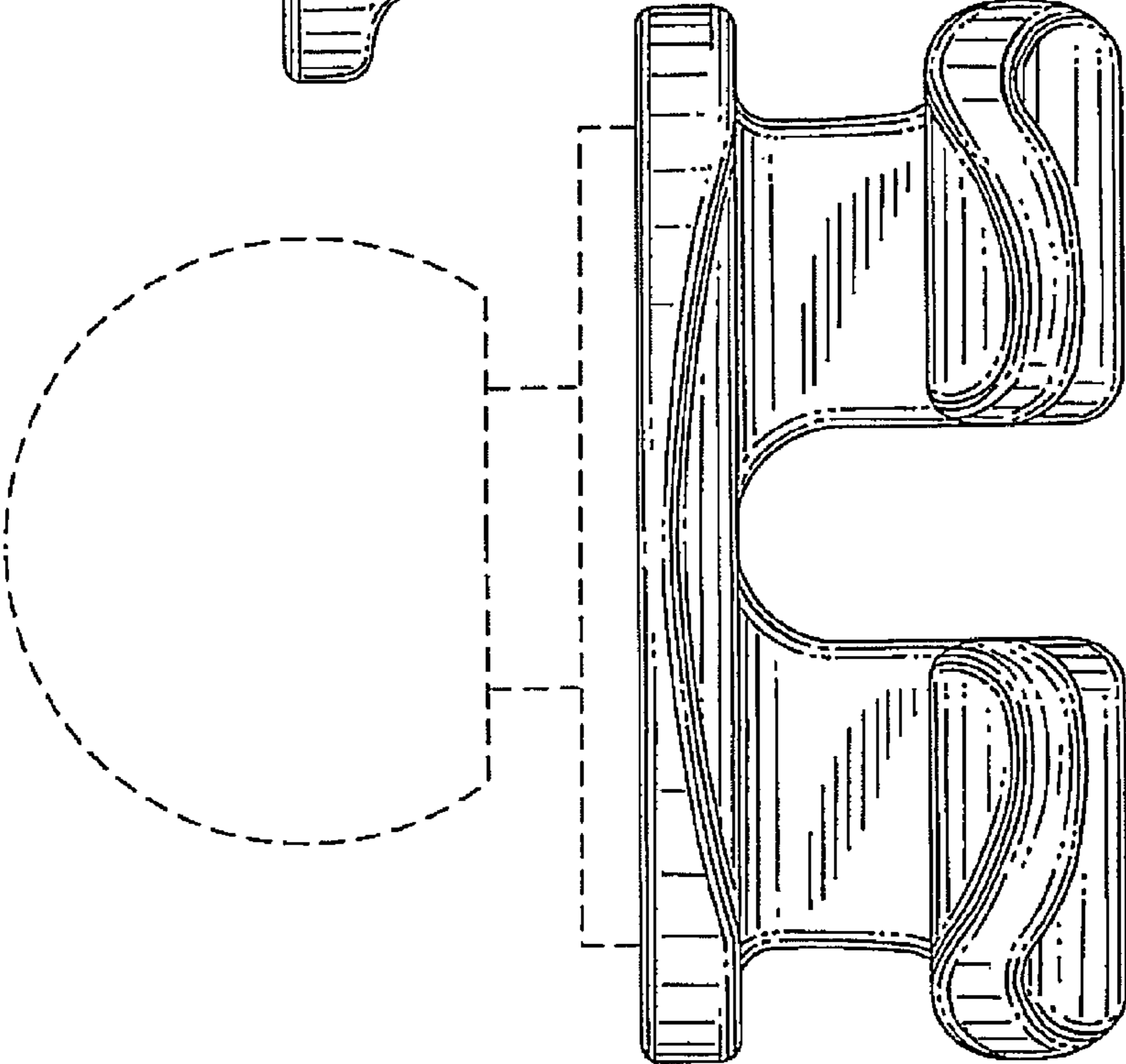


FIG. 5

FIG. 4



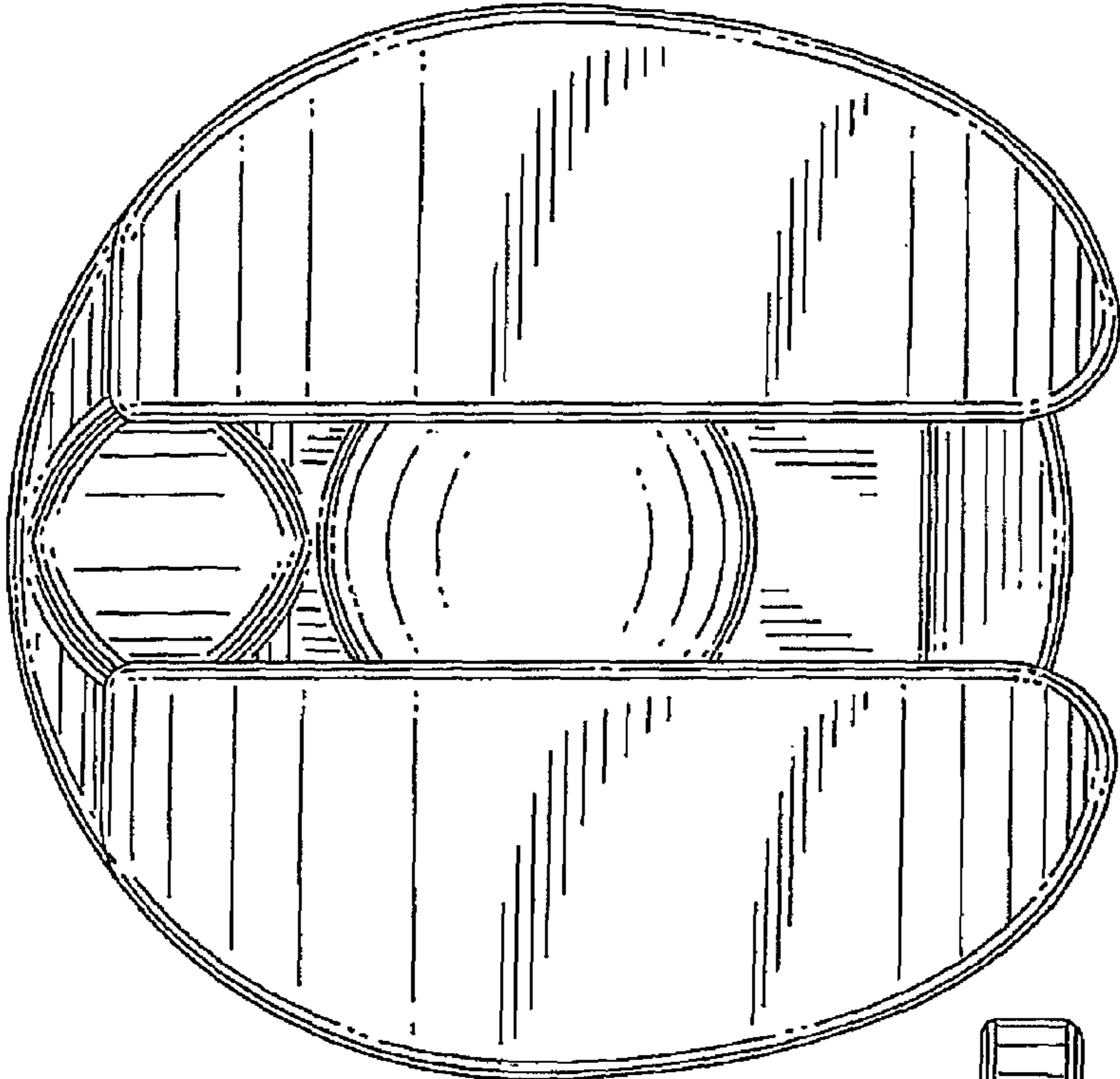


FIG. 7

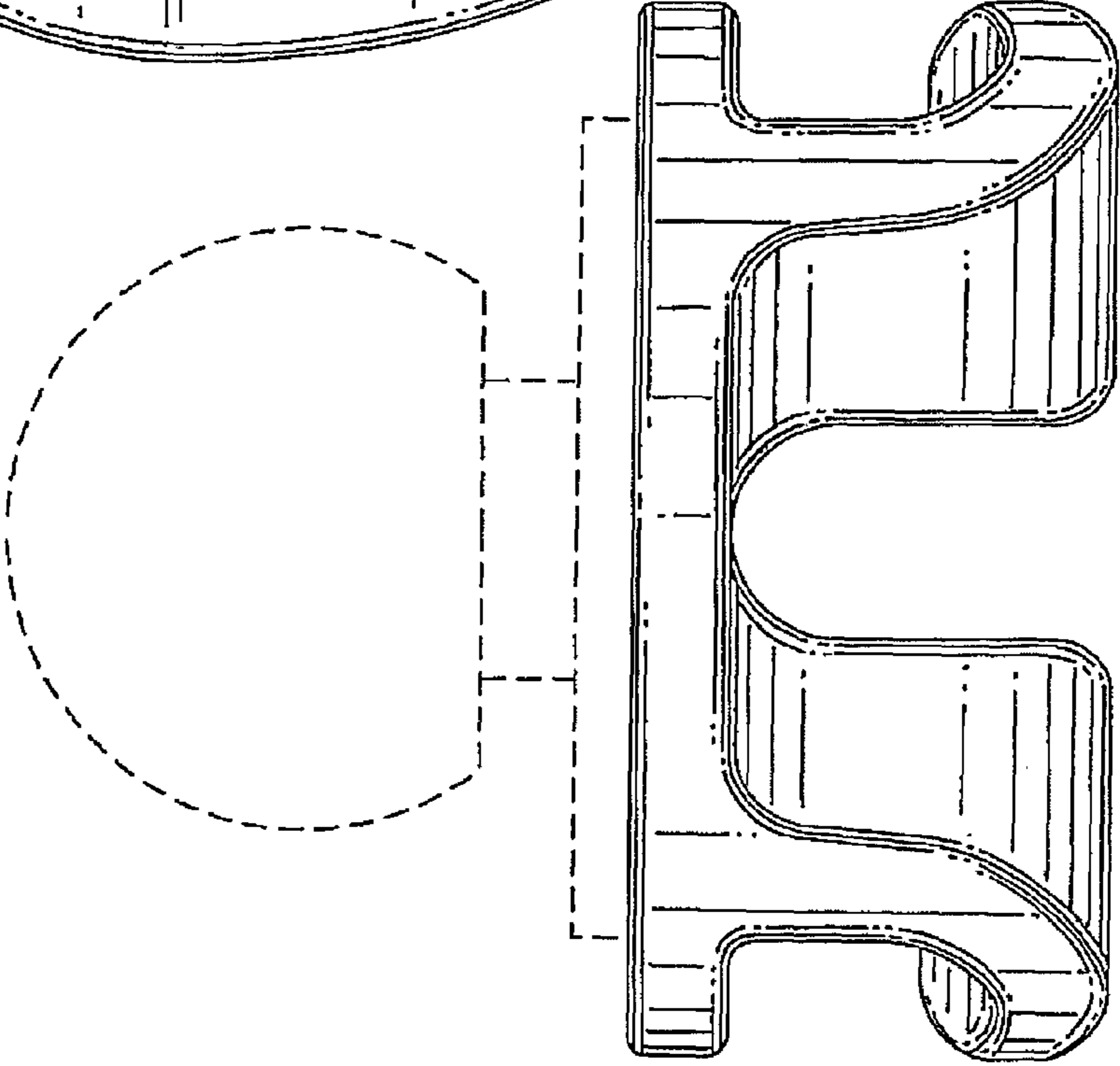


FIG. 6