



US00D705645S

(12) **United States Design Patent**  
**Bakos**

(10) **Patent No.:** **US D705,645 S**

(45) **Date of Patent:** **\*\* May 27, 2014**

- (54) **SUPPORT BRACKET FOR A COLUMN**
- (75) Inventor: **Stephen M. Bakos**, Jim Thorp, PA (US)
- (73) Assignee: **B.C.H. Corporation**, Jim Thorpe, PA (US)
- (\*\*) Term: **14 Years**
- (21) Appl. No.: **29/422,067**
- (22) Filed: **May 16, 2012**

4,924,648 A *	5/1990	Gilb et al.	52/295
5,056,750 A *	10/1991	Ellithorpe	248/354.3
5,467,569 A	11/1995	Chiodo	
5,819,482 A *	10/1998	Belke et al.	52/126.6
6,345,474 B1	2/2002	Triplett	
D470,038 S *	2/2003	Lapp et al.	D8/374
D648,447 S *	11/2011	Sims	D25/126
8,365,475 B2 *	2/2013	Zlatar	52/126.6
8,407,967 B2 *	4/2013	Brindle, Jr.	52/854

\* cited by examiner

*Primary Examiner* — Robert M Spear  
*Assistant Examiner* — Eliza Bennett-Hattan  
 (74) *Attorney, Agent, or Firm* — Harold I. Masteller

**Related U.S. Application Data**

- (60) Continuation-in-part of application No. 12/642,782, filed on Dec. 19, 2009, now Pat. No. 8,235,346, which is a division of application No. 12/116,276, filed on May 7, 2008, now Pat. No. 7,677,522.
- (51) **LOC (10) Cl.** ..... **08-05**
- (52) **U.S. Cl.**  
USPC ..... **D8/380**
- (58) **Field of Classification Search**  
CPC ..... E02D 27/42; E02D 5/44; E04C 3/32; E04C 3/40; E04H 17/20; E04B 1/215; E04G 13/02; E04G 13/021  
USPC ..... D8/380, 349, 381, 373, 367, 354, 363, D8/355; 52/4, 79.2, 93.1, 260, 649.1, 52/649.2; 119/705; 482/16  
See application file for complete search history.

(57) **CLAIM**  
 The ornamental design for a support bracket for a column, as shown and described.

**DESCRIPTION**

FIG. 1 is an isometric view showing the top, front, and left side of an ornamental design for a support bracket for a column;  
 FIG. 2 is an isometric view showing the top, rear, and right side of the support bracket for a column of FIG. 1;  
 FIG. 3 is a three dimensional view showing the top, front, and left side of the ornamental design of the support bracket for a column of FIG. 1, FIG. 3 being rotated out of the FIG. 1 isometric axis to show five struts extending between the top plate and base plate of the support bracket for a column;  
 FIG. 4 is an isometric view showing the bottom, front, and left side of the support bracket for a column of FIG. 1; and,  
 FIG. 5 is a top plan view of the support bracket for a column of FIG. 1 with the top plate removed to show the location of the five struts that extend between the support bracket top plate and base plate.

- (56) **References Cited**  
 U.S. PATENT DOCUMENTS  
 2,182,579 A 12/1939 Bolton et al.  
 4,295,308 A 10/1981 Korfanta  
 4,387,543 A \* 6/1983 Tschan et al. .... 52/295

**1 Claim, 2 Drawing Sheets**

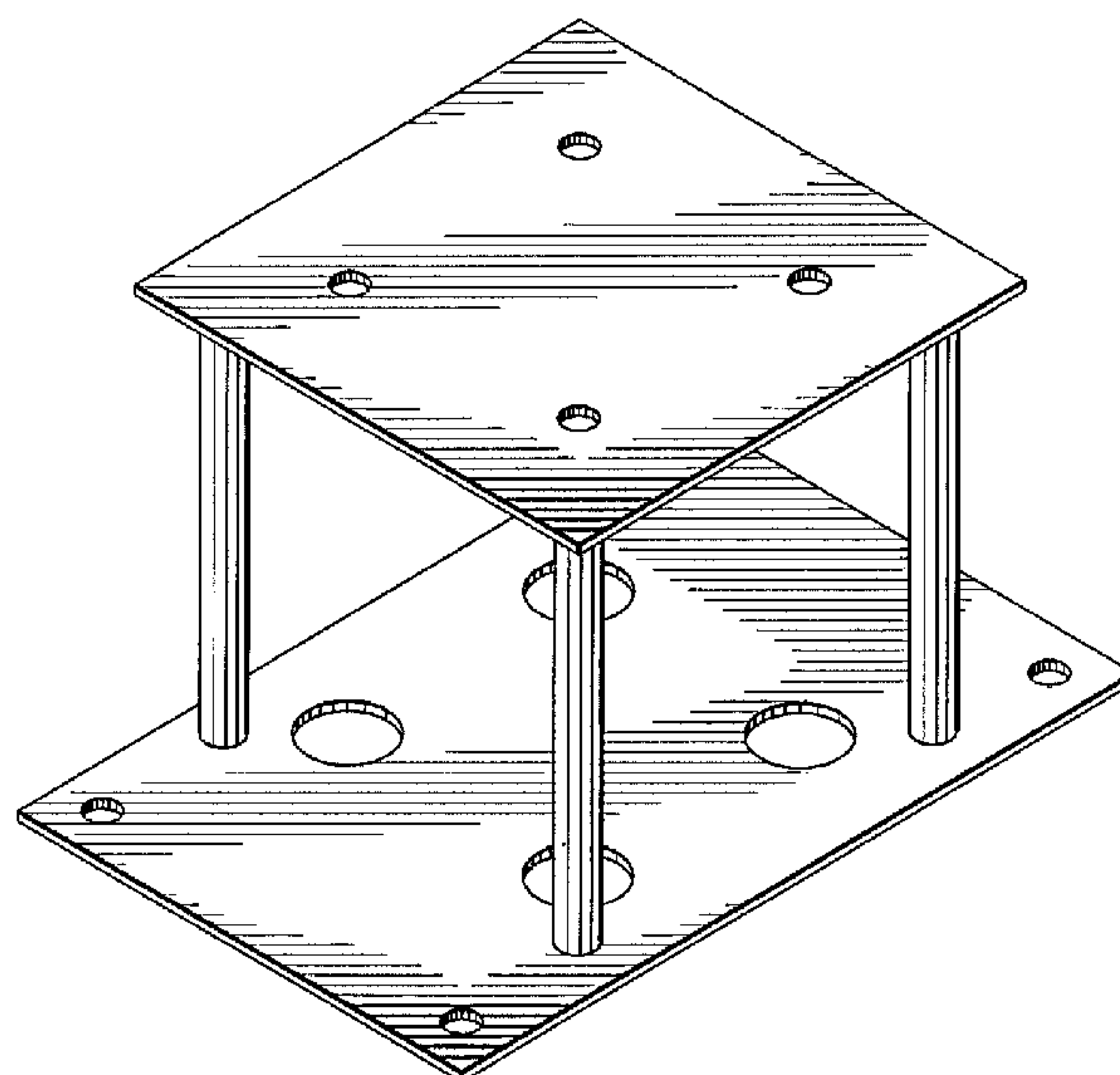


Fig. 1

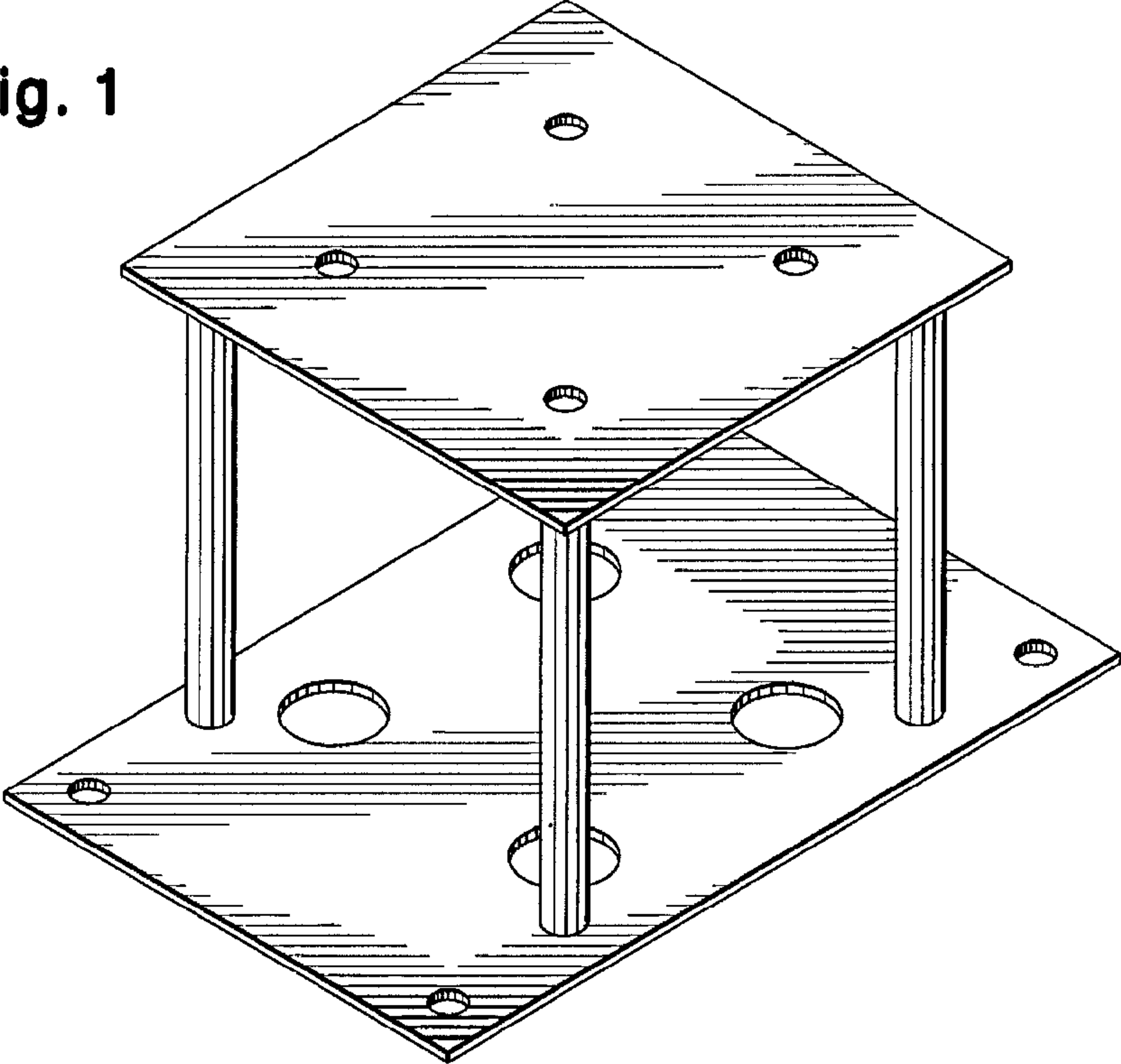


Fig. 2

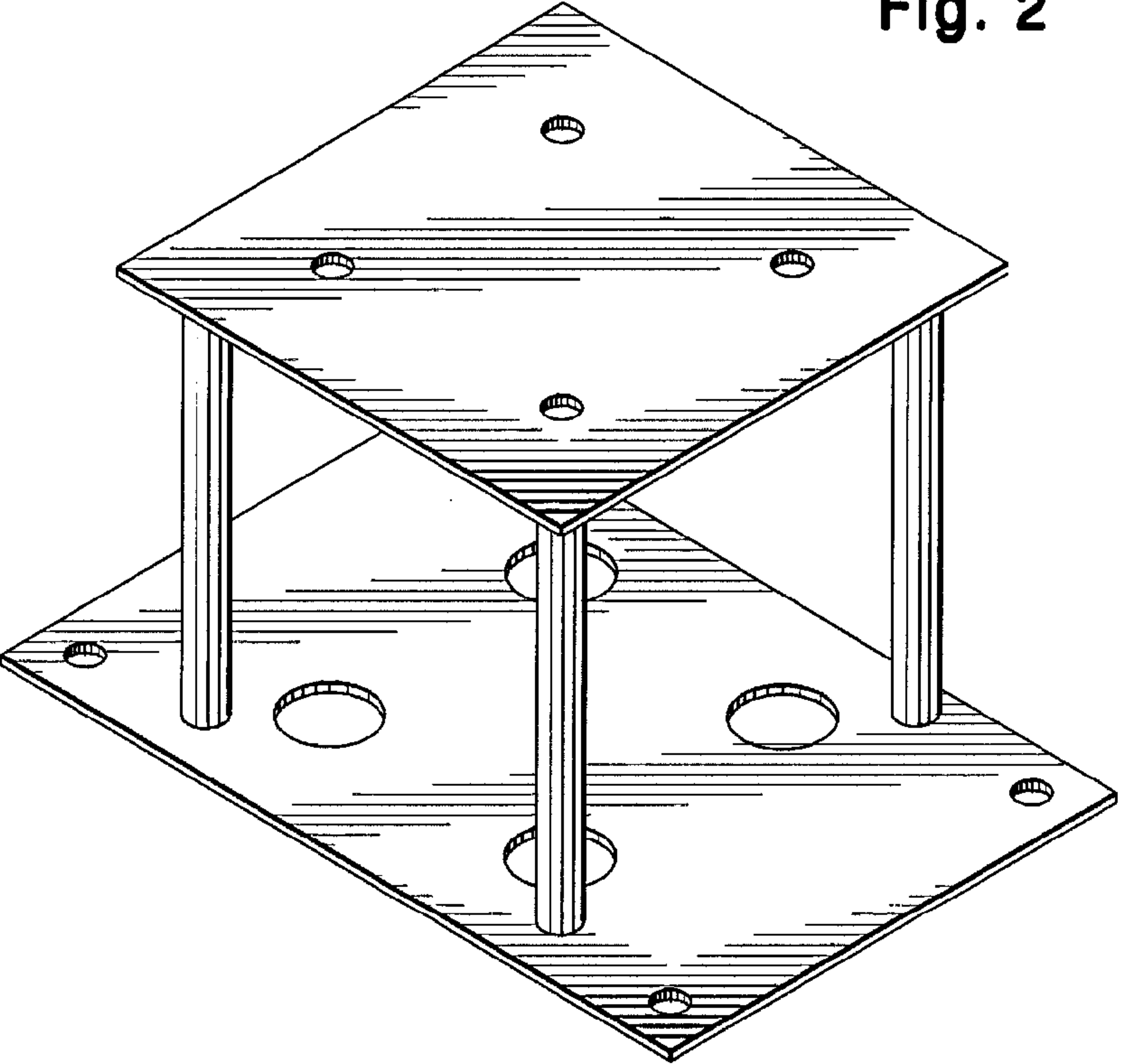


Fig. 3

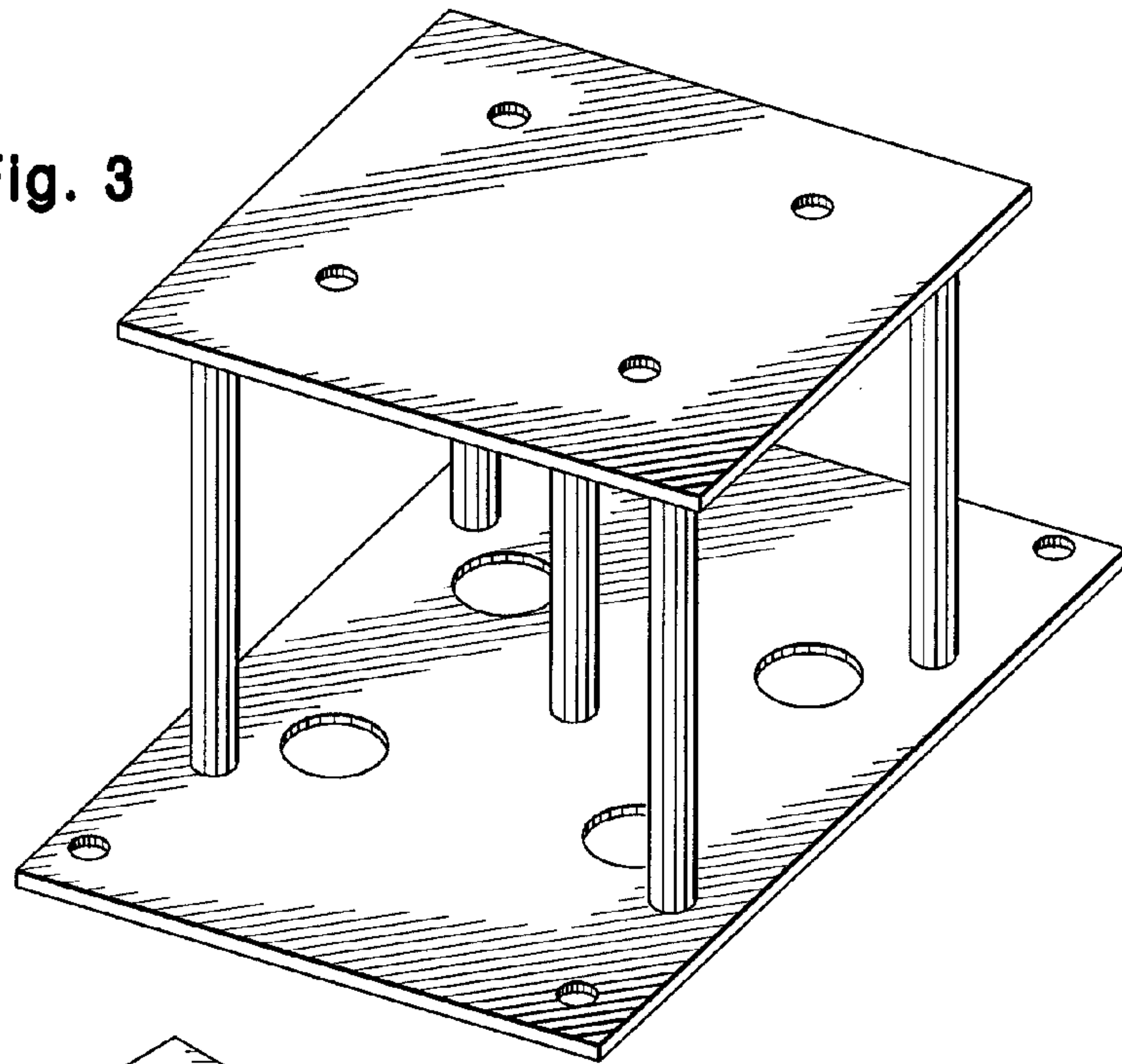


Fig. 4

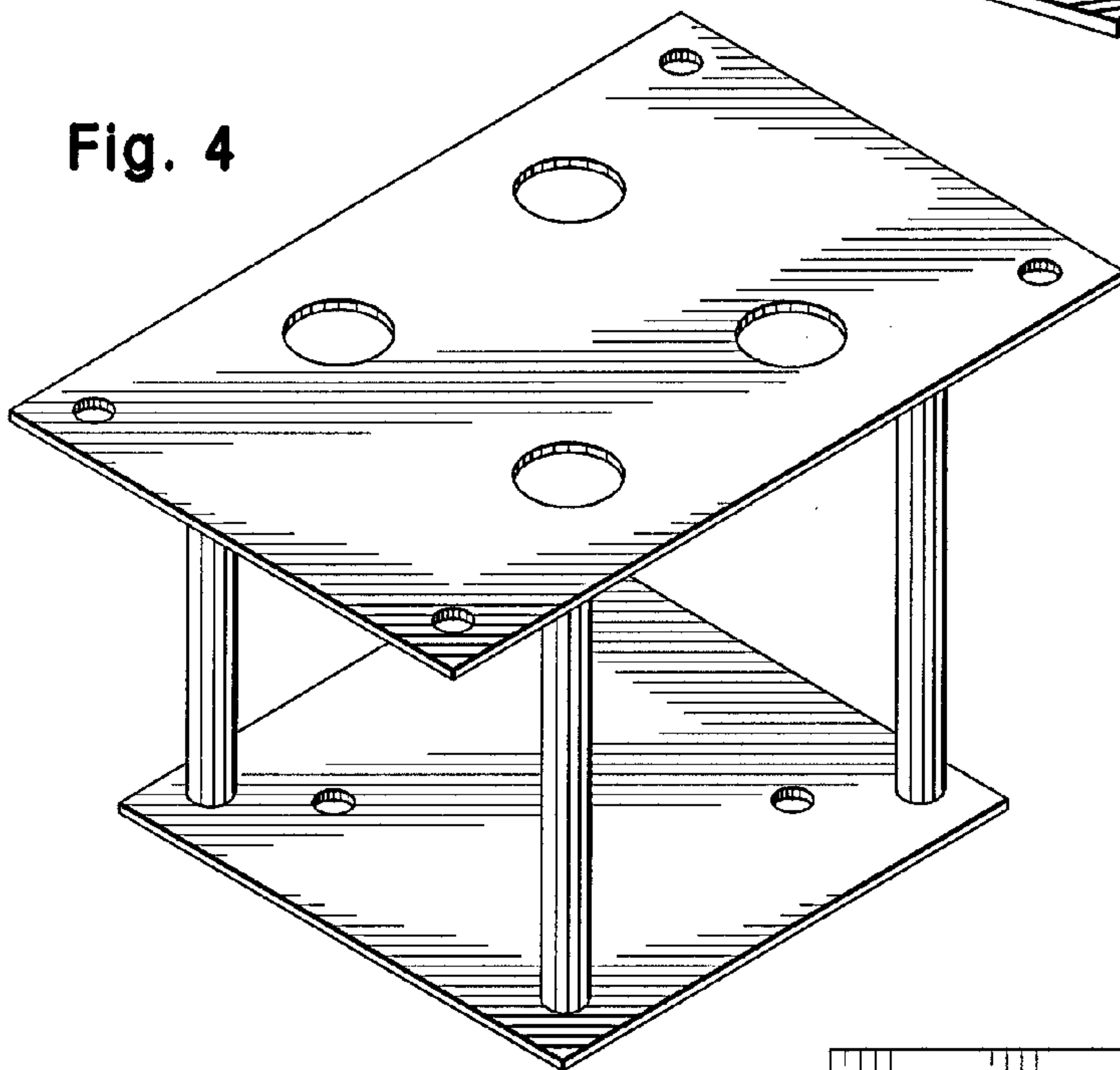


Fig. 5

