



US00D705643S

(12) **United States Design Patent**  
**Siboni et al.**

(10) **Patent No.:** **US D705,643 S**

(45) **Date of Patent:** **\*\* May 27, 2014**

(54) **FILAMENT SPOOL**

(71) Applicant: **MakerBot Industries, LLC**, Brooklyn, NY (US)

(72) Inventors: **Marguerite Siboni**, New York, NY (US); **Janet Lieberman**, Brooklyn, NY (US); **Vishnu Anantha**, Queens, NY (US); **Jackson Seidenberg**, Brooklyn, NY (US)

(73) Assignee: **MakerBot Industries, LLC**, Brooklyn, NY (US)

(\*\*) Term: **14 Years**

(21) Appl. No.: **29/467,097**

(22) Filed: **Sep. 16, 2013**

(51) **LOC (10) Cl.** ..... **08-05**

(52) **U.S. Cl.**  
USPC ..... **D8/358**

(58) **Field of Classification Search**  
USPC ..... D8/358, 359; 242/395, 405.3, 118.7, 242/542.4, 160.4, 366; 137/355.26; D14/484; D3/24; D15/16, 67; D12/501, 204; D22/14, 137  
See application file for complete search history.

(56) **References Cited**

**U.S. PATENT DOCUMENTS**

2,479,946 A \* 8/1949 Lofgren ..... 242/396.2  
3,266,749 A \* 8/1966 Tripini et al. .... 242/118.7

D240,192 S \* 6/1976 Balmar ..... D14/484  
D408,720 S \* 4/1999 Sheng ..... D8/359  
6,715,710 B1 \* 4/2004 Russell et al. .... 242/605  
6,991,197 B2 \* 1/2006 Cox et al. .... 242/614.1  
D557,118 S \* 12/2007 Linginfelter ..... D8/358  
D557,119 S \* 12/2007 Laga ..... D8/359  
D598,733 S 8/2009 Taatjes et al.  
D606,845 S 12/2009 Taatjes et al.  
D618,086 S 6/2010 Taatjes et al.  
D623,927 S \* 9/2010 Gu et al. .... D8/358  
D628,466 S 12/2010 Taatjes et al.  
D673,090 S \* 12/2012 Lemke ..... D12/204

\* cited by examiner

*Primary Examiner* — Robert M Spear

*Assistant Examiner* — Eliza Bennett-Hattan

(74) *Attorney, Agent, or Firm* — Strategic Patents, P.C.

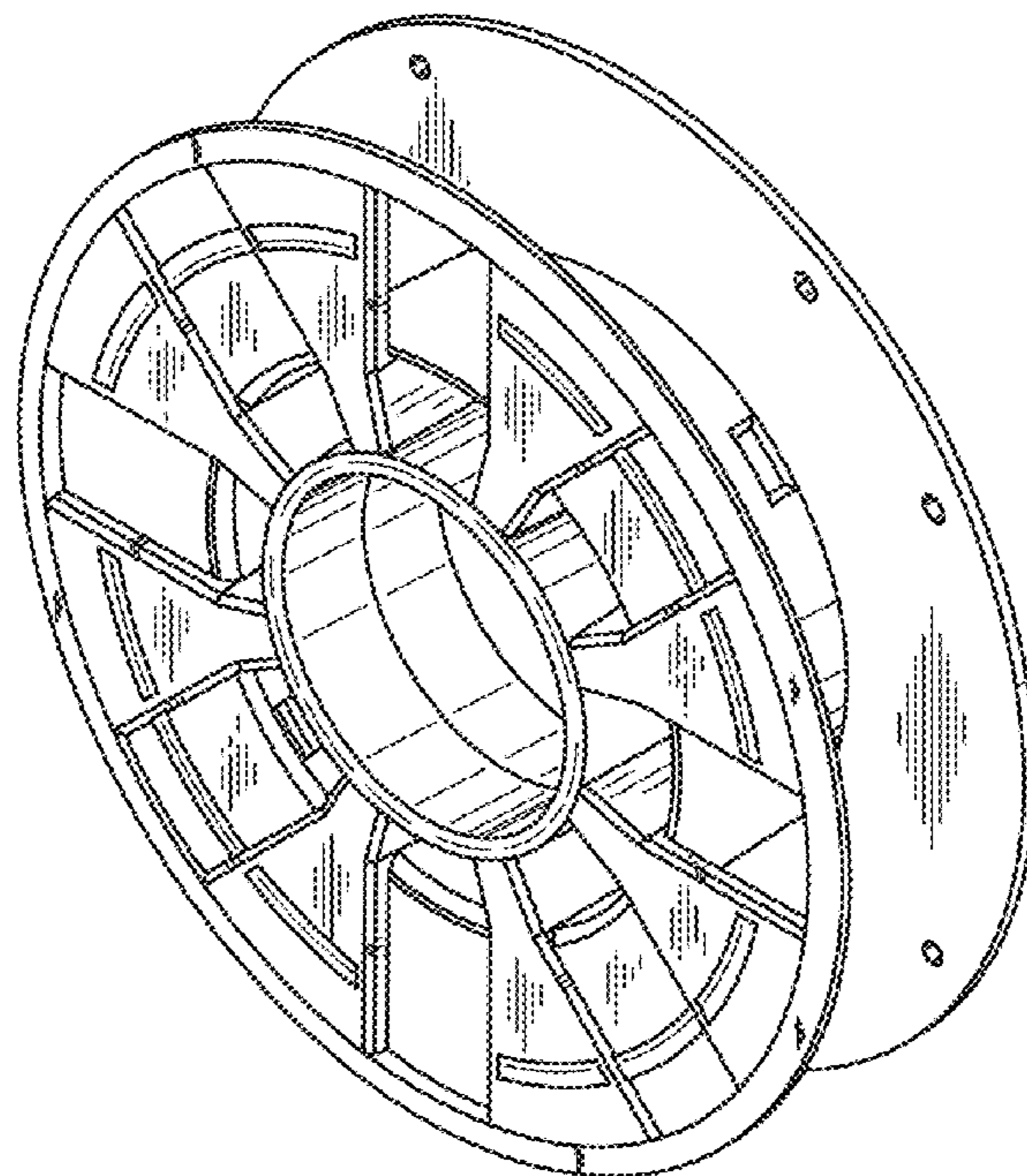
(57) **CLAIM**

What is claimed is the ornamental design for a filament spool, as shown.

**DESCRIPTION**

FIG. 1 is a top perspective view of a design for a filament spool.  
FIG. 2 is a bottom perspective view of the design.  
FIG. 3 is a top view of the design.  
FIG. 4 is a bottom view of the design.  
FIG. 5 is a left side view of the design.  
FIG. 6 is a right side view of the design.  
FIG. 7 is a front view of the design; and,  
FIG. 8 is a back view of the design.

**1 Claim, 4 Drawing Sheets**



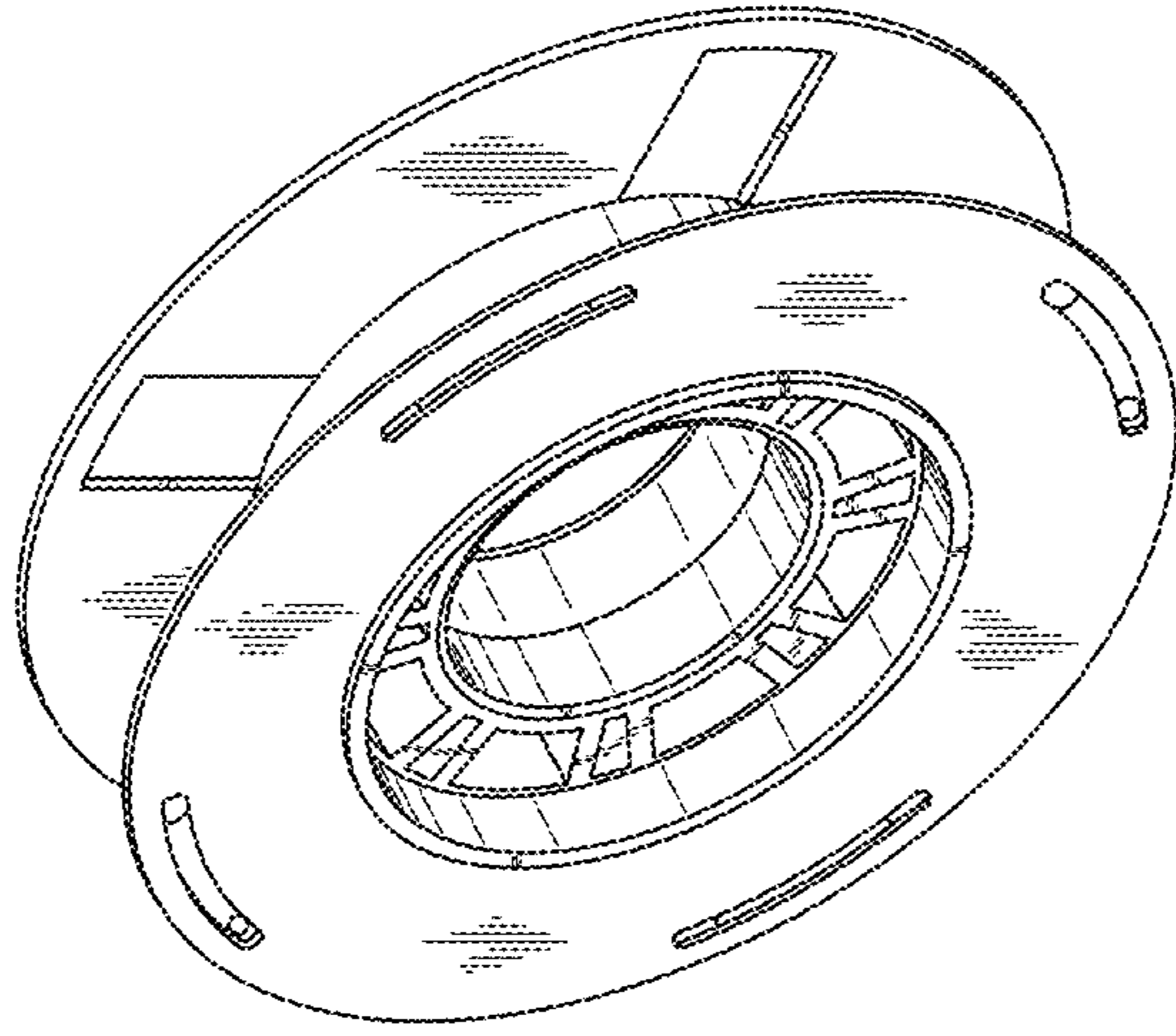


FIG. 1

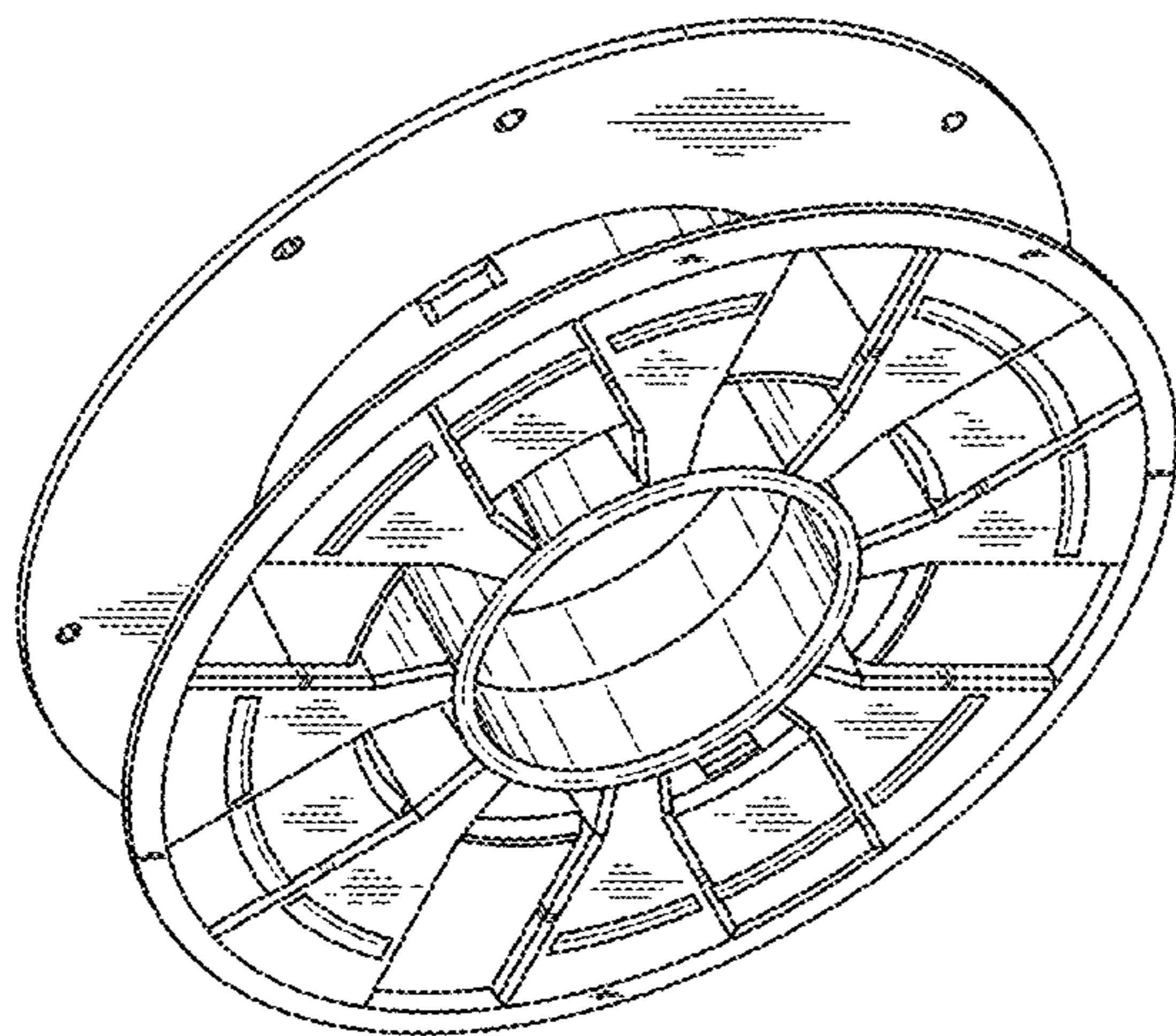


FIG. 2

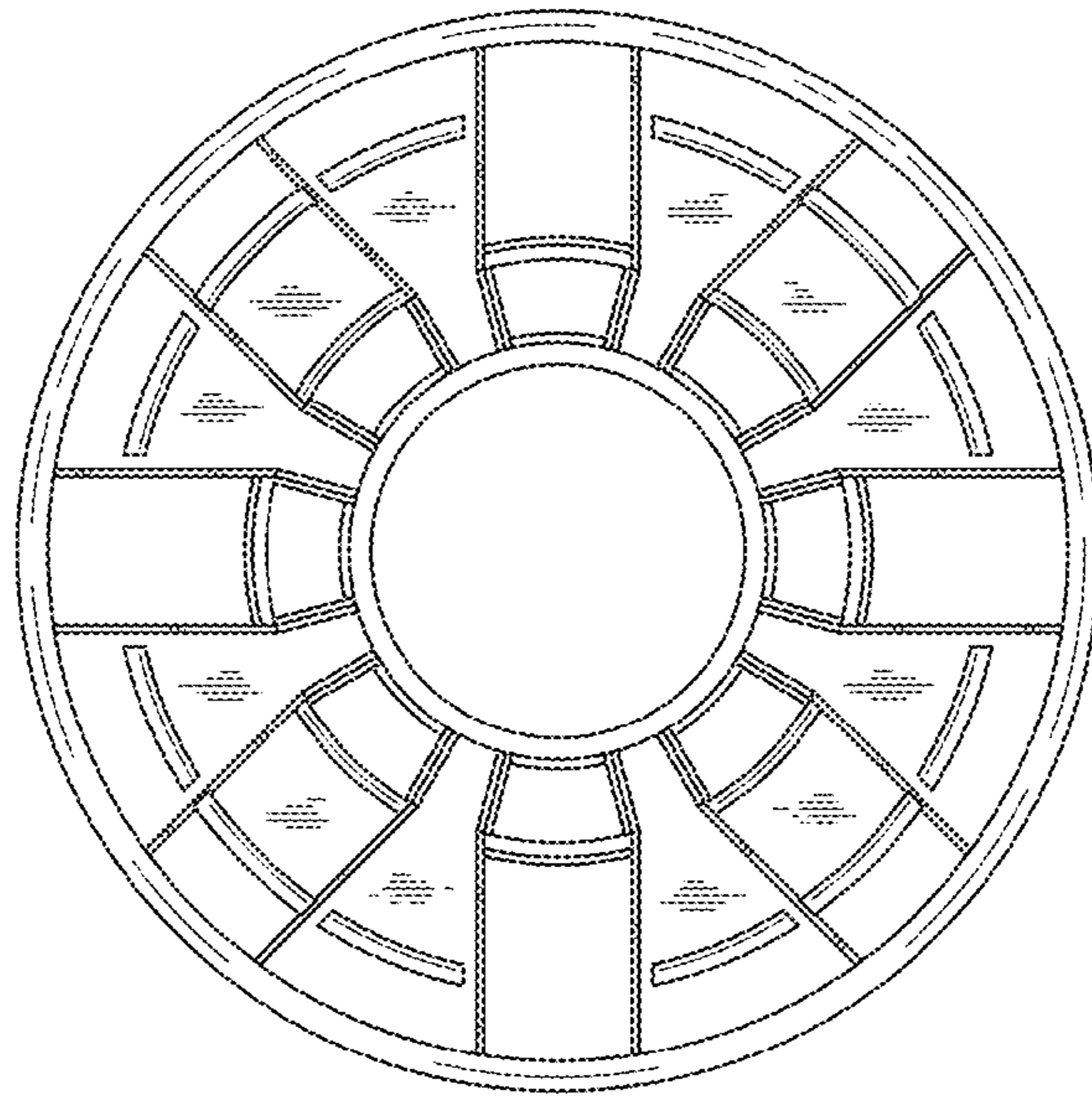


FIG. 3

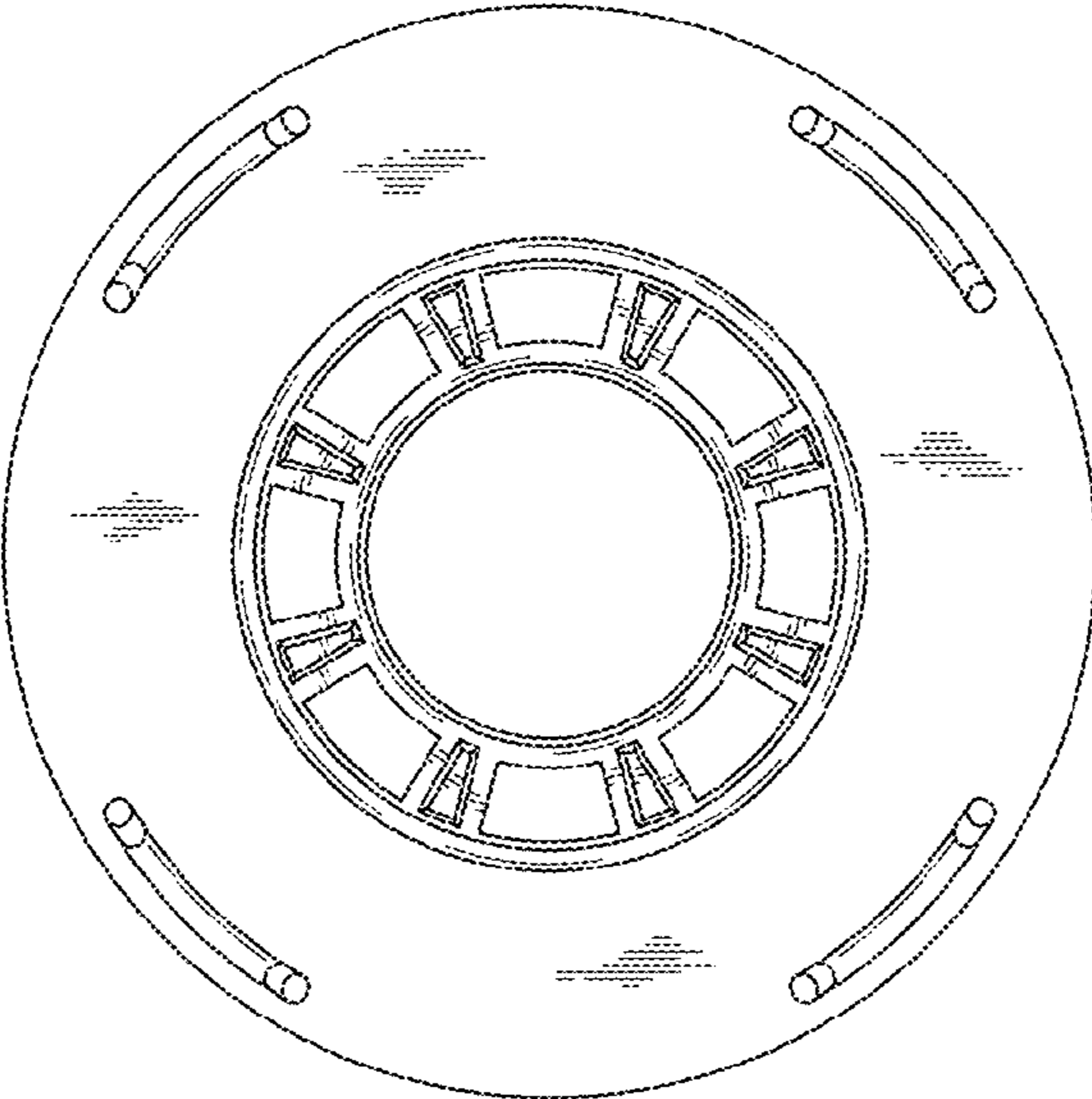


FIG. 4



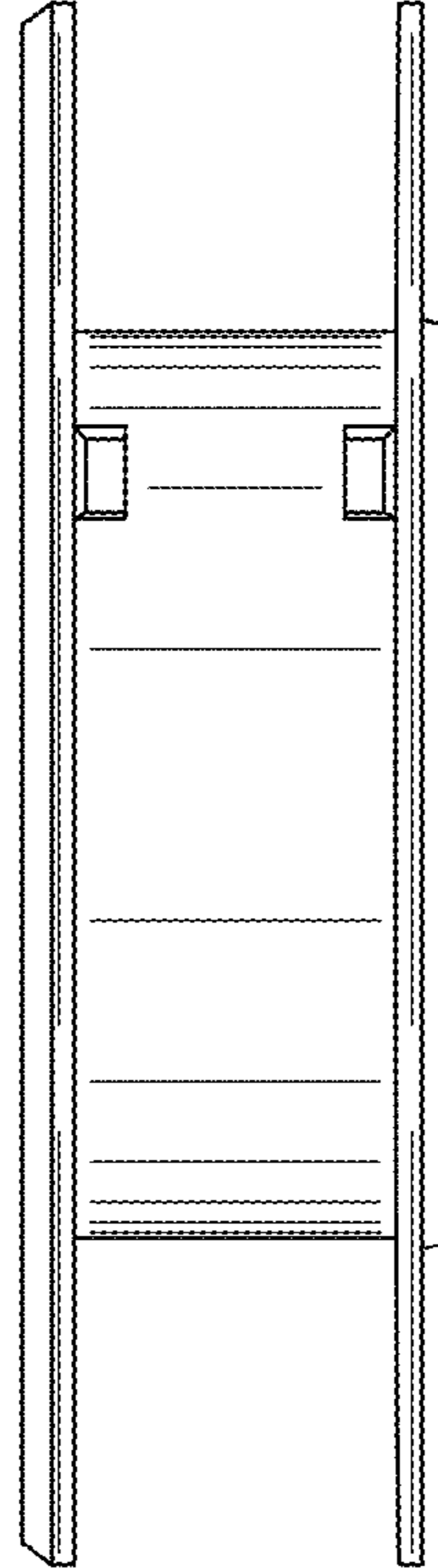


FIG. 7

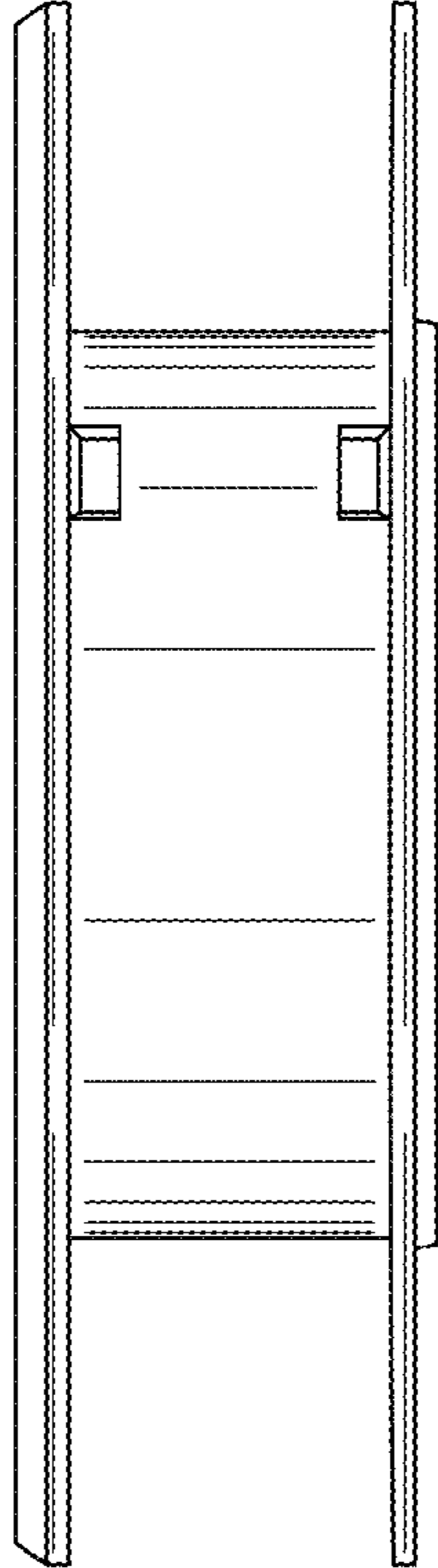


FIG. 8

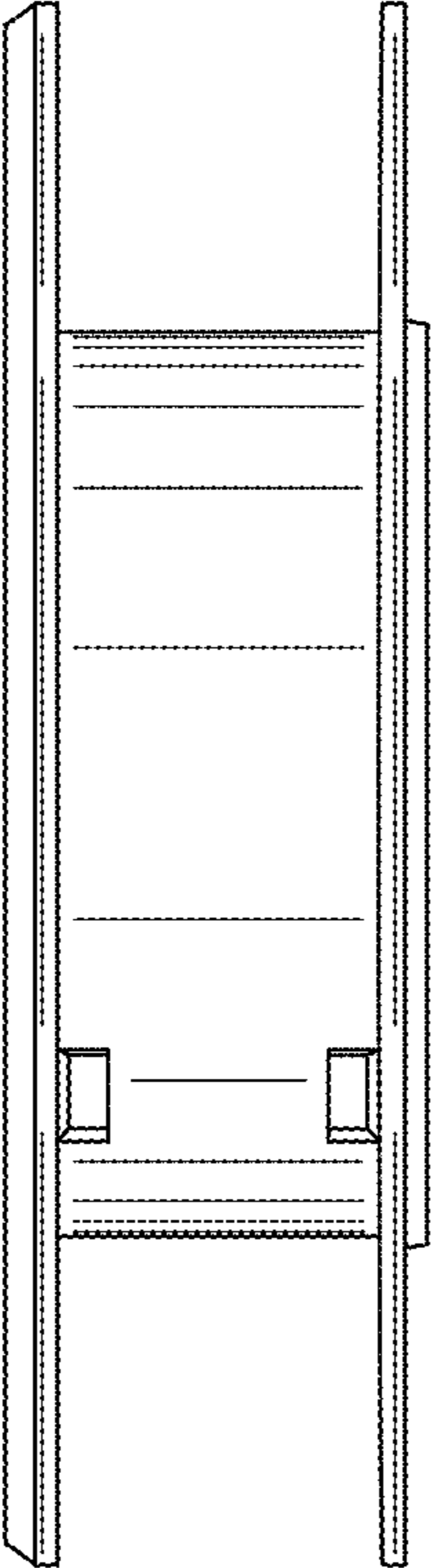


FIG. 5

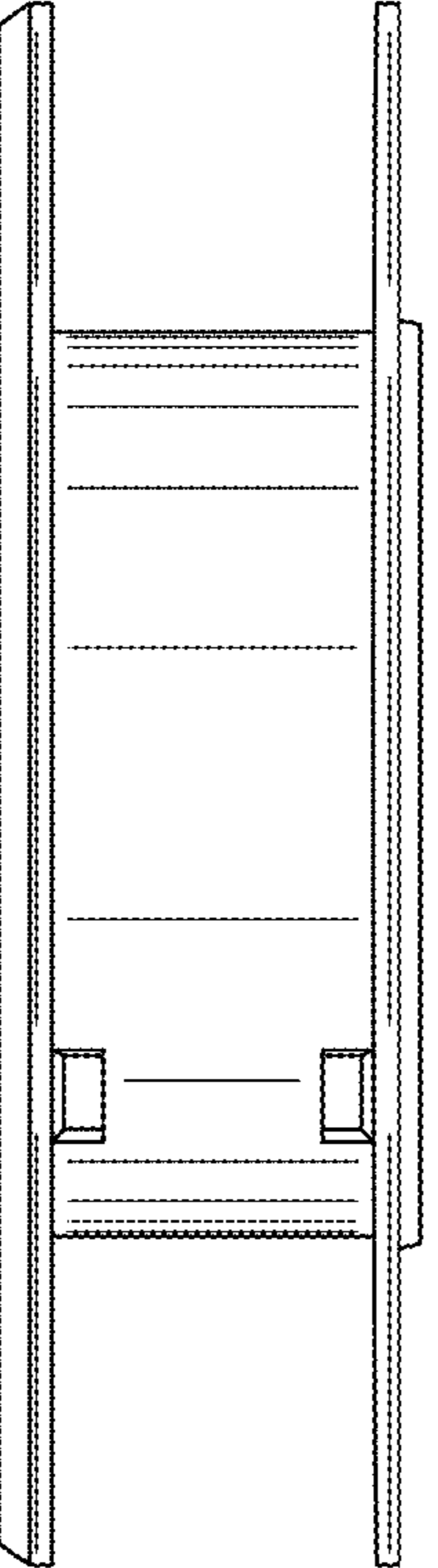


FIG. 6