



US00D705642S

(12) **United States Design Patent**  
**Pellegrini**

(10) **Patent No.:** **US D705,642 S**

(45) **Date of Patent:** **\*\* May 27, 2014**

- (54) **TUBULAR KEY CASING**
- (71) Applicant: **AXCOM di Donatella Pellegrini**,  
Martina Franca (IT)
- (72) Inventor: **Bruno Pellegrini**, Martina Franca (IT)
- (73) Assignee: **AXCOM di Donatella Pellegrini**,  
Martina Franca (TA) (IT)

4,881,636	A *	11/1989	Oletzke	.....	206/37.1
5,577,403	A *	11/1996	Steeley	.....	70/456 R
6,016,676	A *	1/2000	McConnell	.....	70/408
6,089,060	A *	7/2000	Steeley	.....	70/456 R
D448,984	S *	10/2001	Van Den Acker	.....	D8/347
D459,972	S *	7/2002	Magnusson	.....	D8/347
D557,111	S *	12/2007	Ydreemark et al.	.....	D8/347
8,225,634	B2 *	7/2012	Giacomin et al.	.....	70/456 R
8,341,989	B1 *	1/2013	Hamblin et al.	.....	70/456 R
8,479,546	B2 *	7/2013	Delande et al.	.....	70/456 R
8,528,374	B2 *	9/2013	Katagiri et al.	.....	70/456 R

(\*\*) Term: **14 Years**

\* cited by examiner

(21) Appl. No.: **29/440,059**

*Primary Examiner* — Prabhakar Deshmukh

(22) Filed: **Dec. 18, 2012**

(74) *Attorney, Agent, or Firm* — Themis Law

(30) **Foreign Application Priority Data**

Sep. 25, 2012 (IT) ..... TA2012O0005  
 Nov. 13, 2012 (WO) ..... 703107701

(51) **LOC (10) Cl.** ..... **08-07**

(52) **U.S. Cl.**  
USPC ..... **D8/347**

(58) **Field of Classification Search**  
USPC ..... D8/347, 348, 346, 343; 70/456 R, 429,  
70/430, 448, 449, 336, 431, 465  
See application file for complete search history.

(56) **References Cited**

**U.S. PATENT DOCUMENTS**

3,394,565 A \* 7/1968 Turman ..... 70/414  
 D271,279 S \* 11/1983 Cziment ..... D8/347

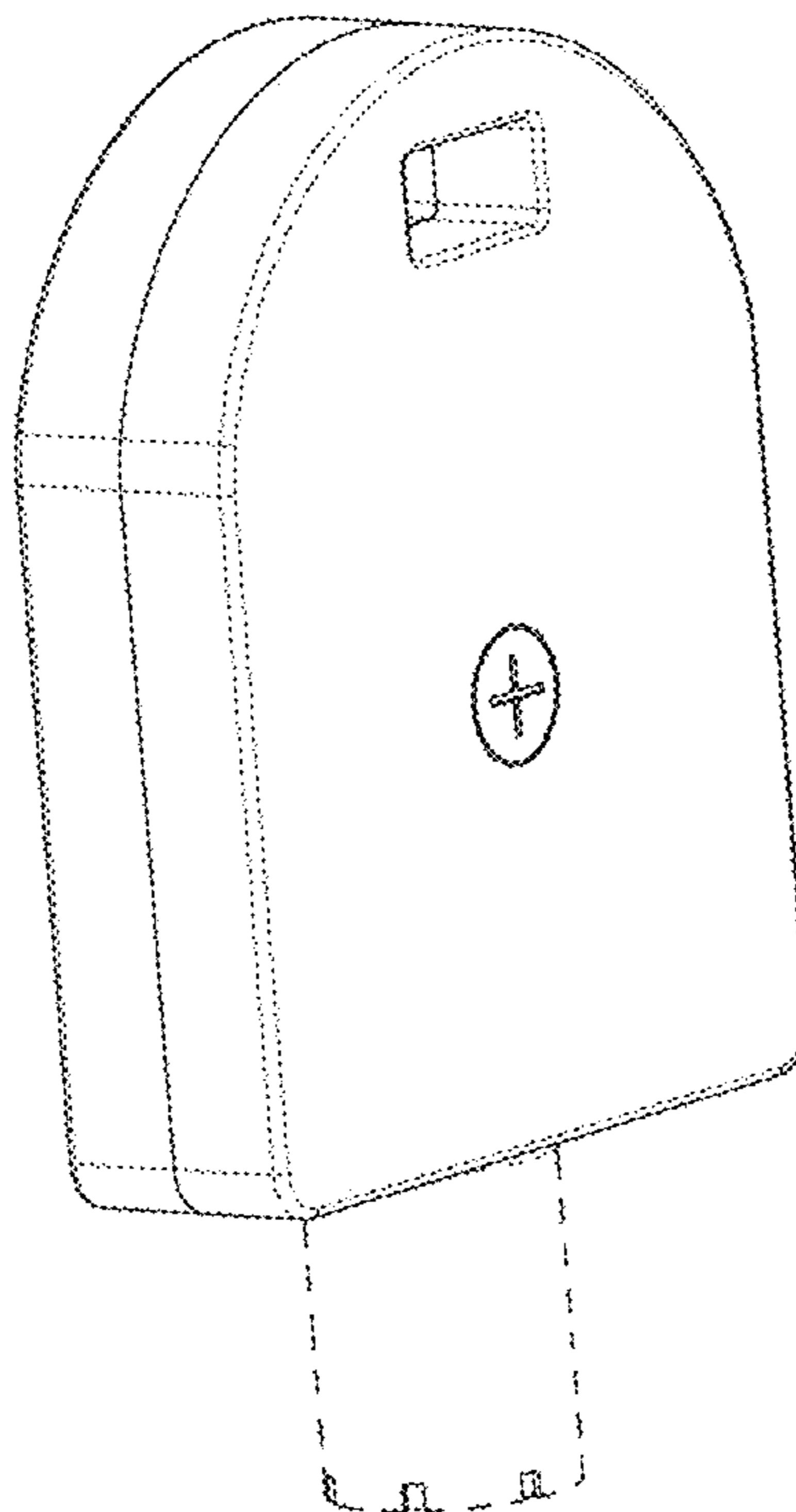
(57) **CLAIM**

The ornamental design for a tubular key casing, as shown and described.

**DESCRIPTION**

FIG. 1 is a perspective view of a tubular key casing showing my new design;  
 FIG. 2 is a front elevation view thereof;  
 FIG. 3 is a left side elevation view thereof, the right side elevational view being a mirror image thereof;  
 FIG. 4 is a rear elevation view thereof;  
 FIG. 5 is another perspective view thereof; and,  
 FIG. 6 is an exploded view thereof.  
 The broken lines environment in FIGS. 1-4 and 6 is for illustrative purpose only and forms no part of the claimed design.

**1 Claim, 6 Drawing Sheets**



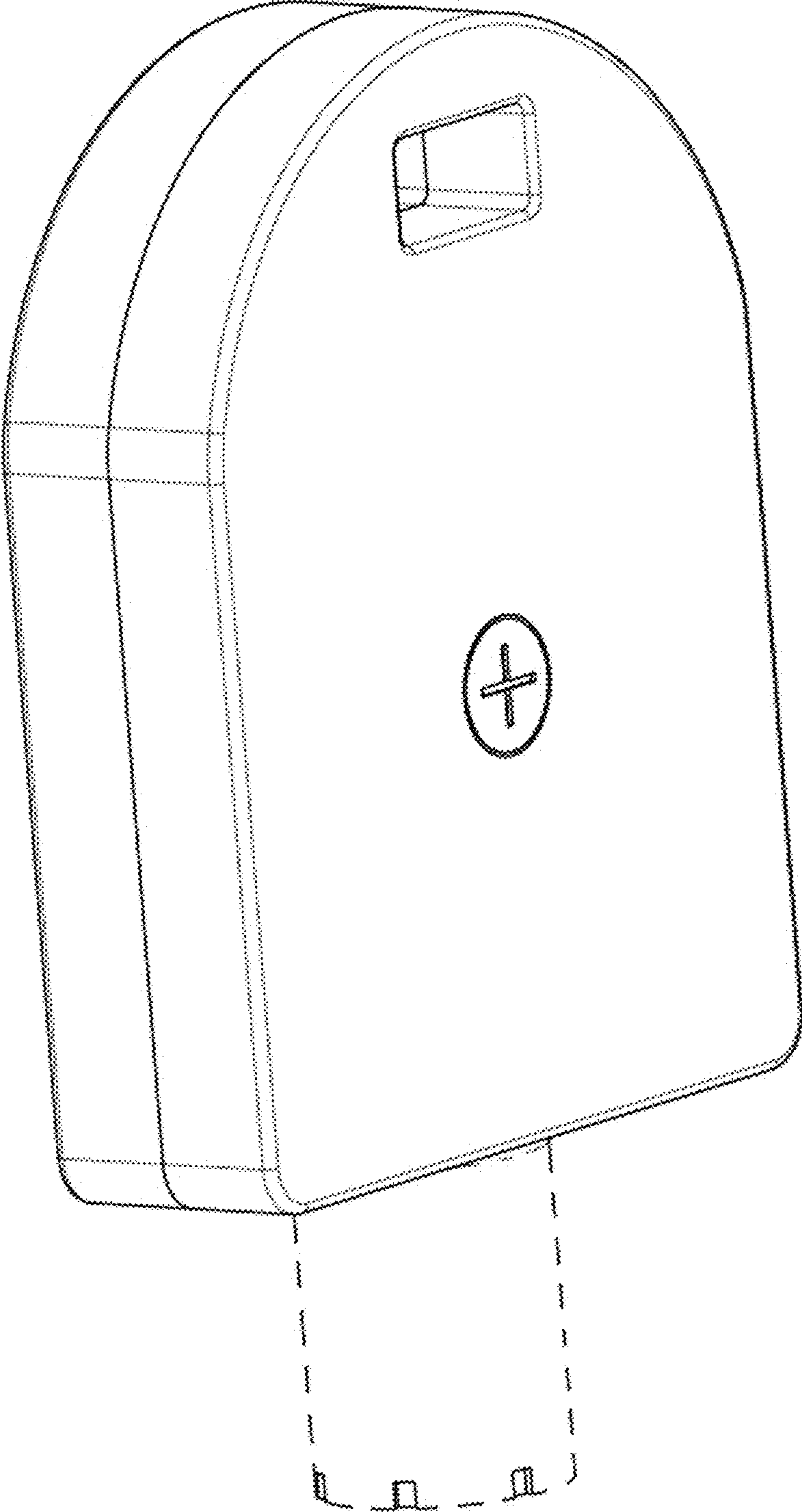


FIG. 1

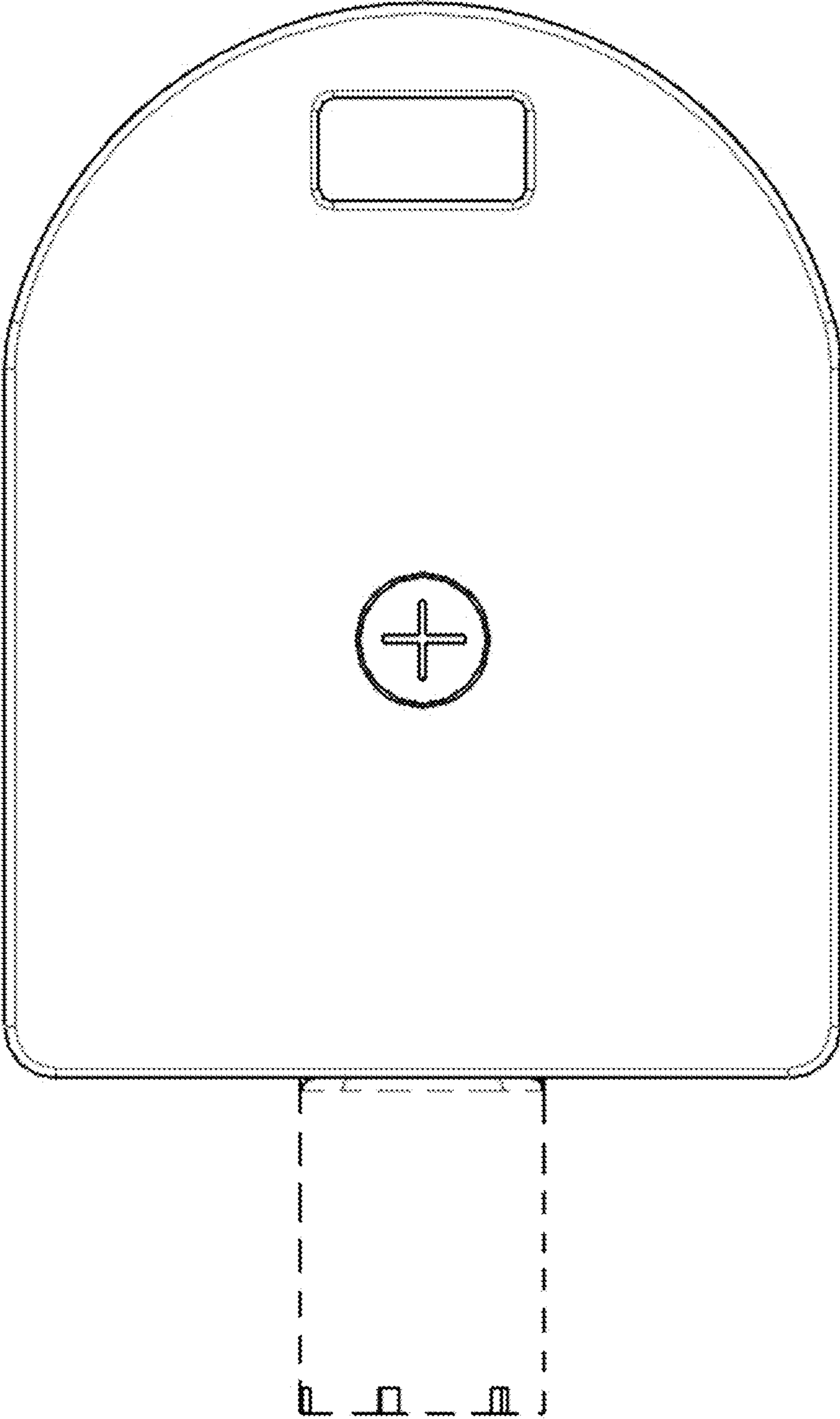


FIG. 2

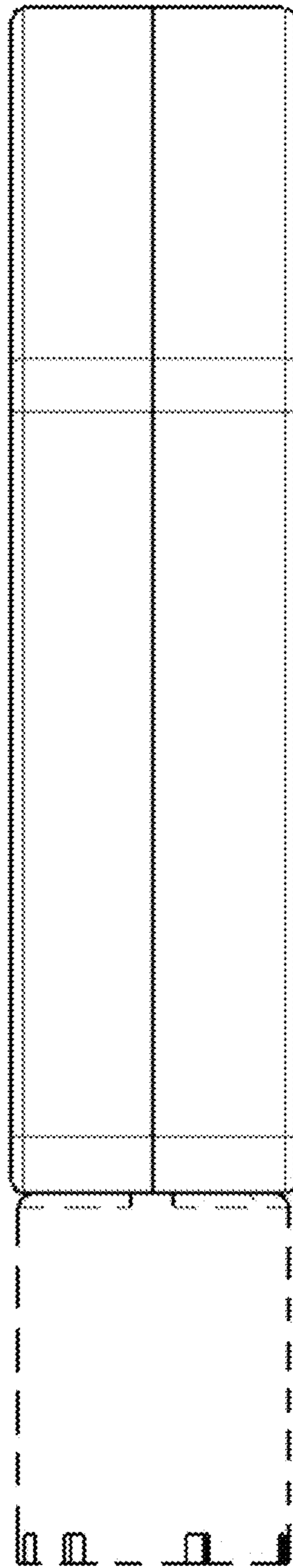


FIG. 3

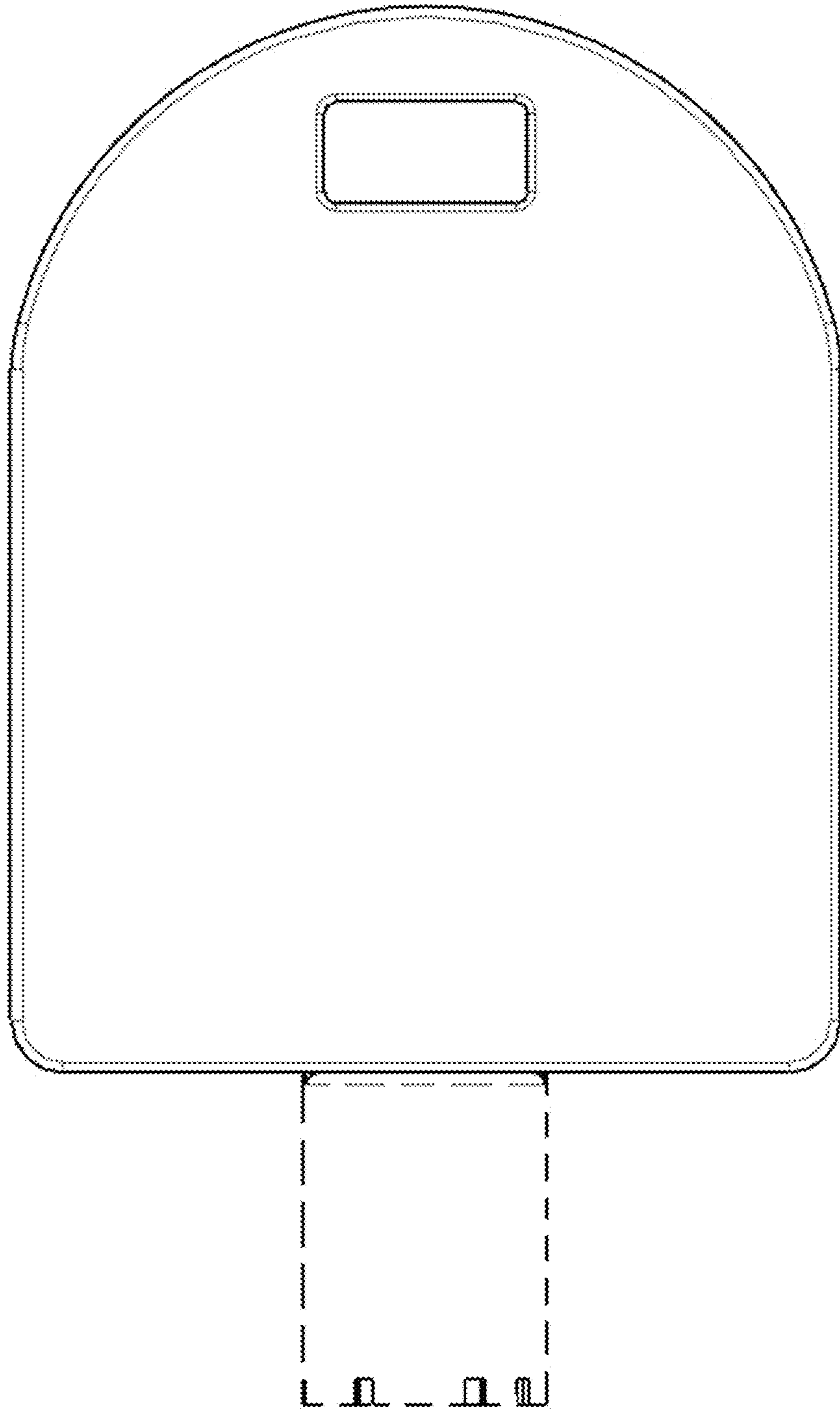


FIG. 4



FIG. 5



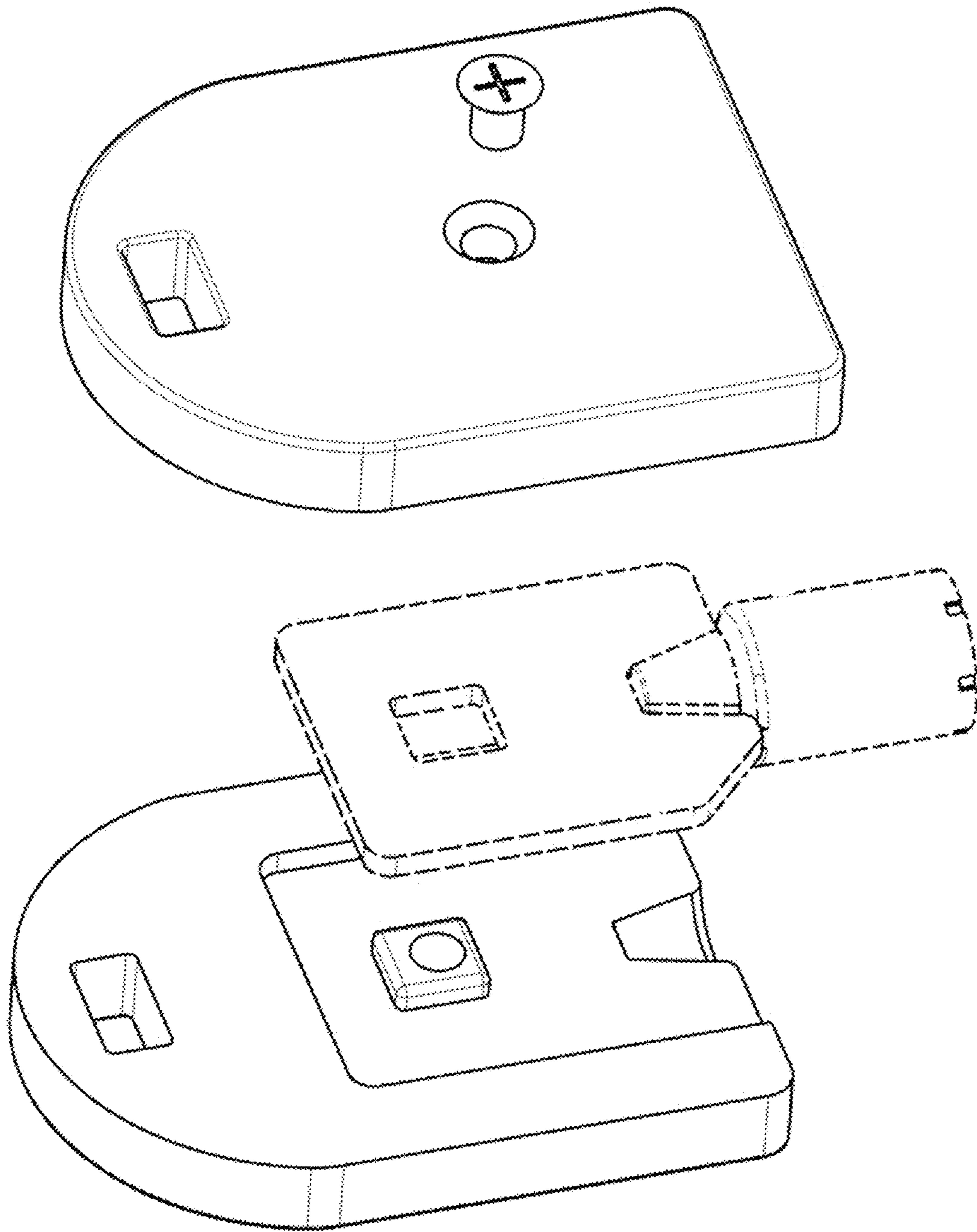


FIG. 6